



**ASSEMBLY GUIDE
GUIDE DE MONTAGE
GUÍA DE MONTAJE**

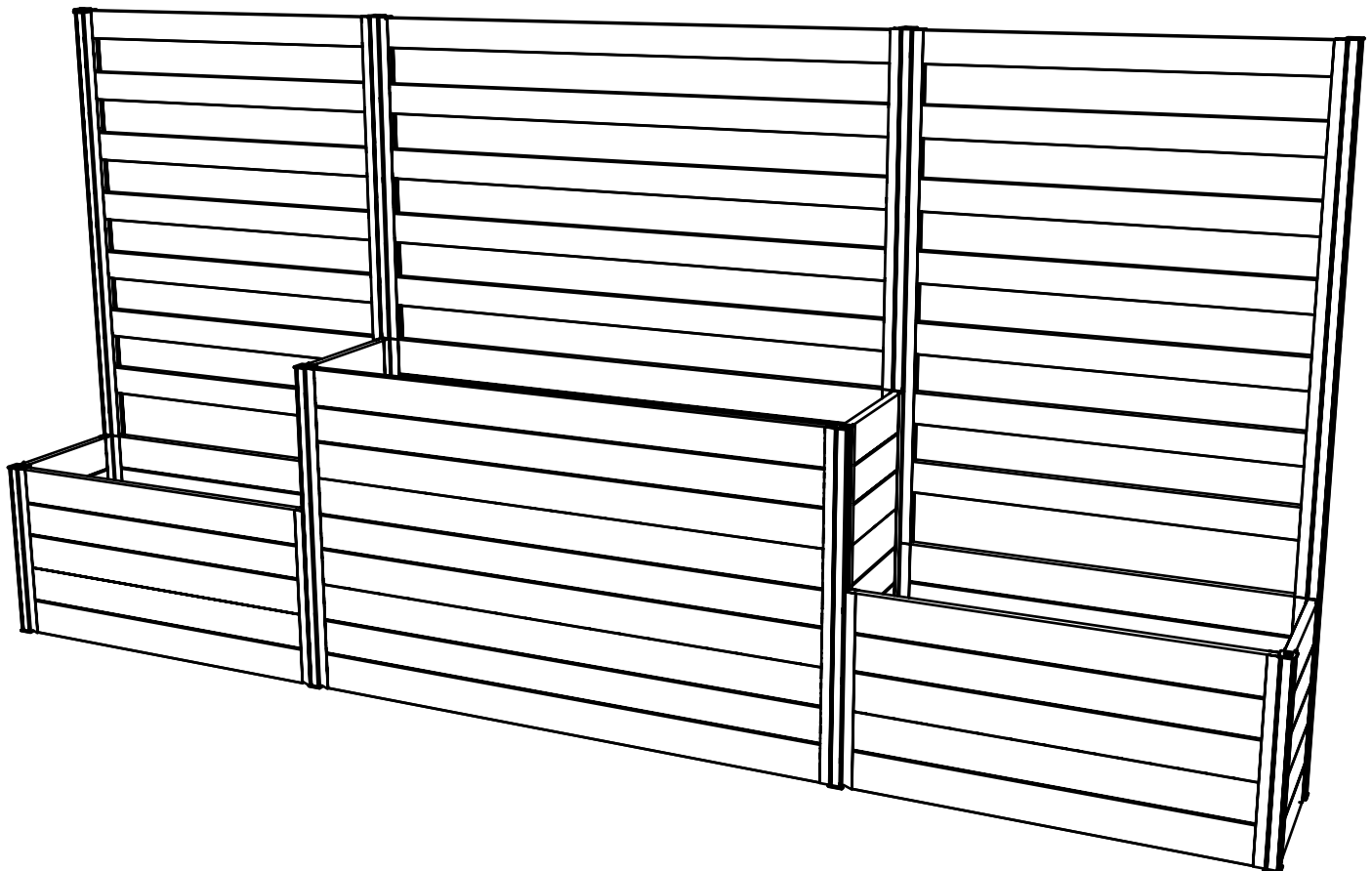
URBANA

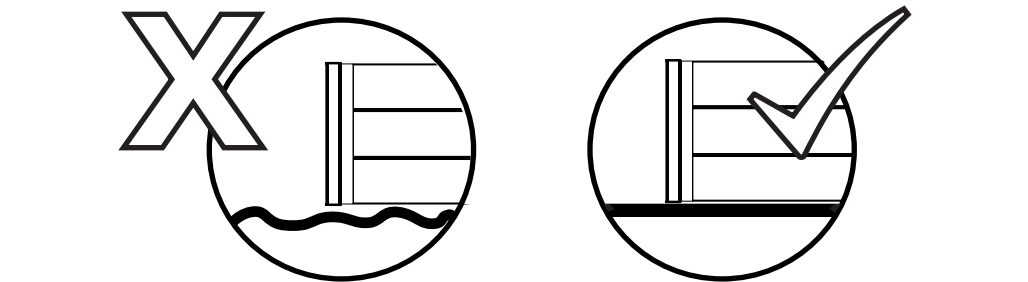
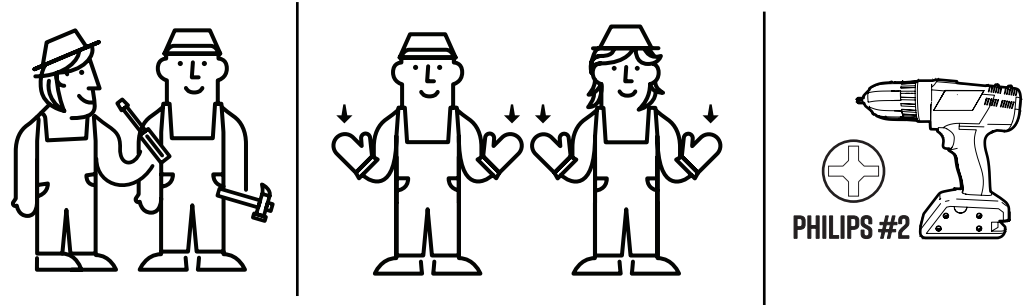
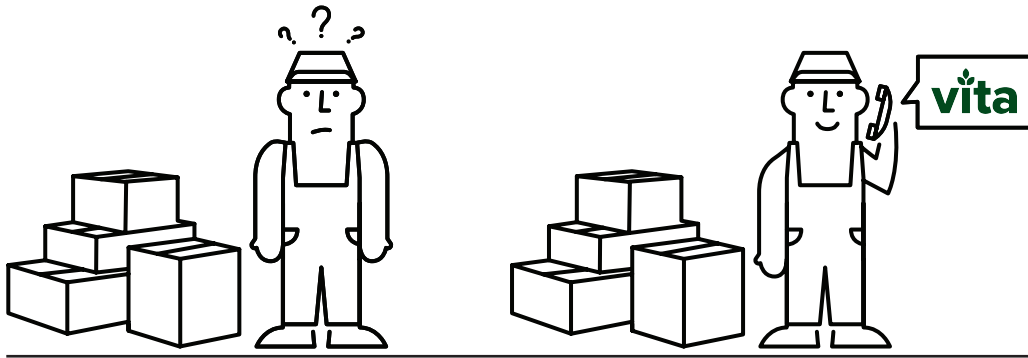
COMBO PARKLETTE TRELLIS PLANTER

VT17530/ VT17630

ESPRESSO
ESPRESSO
ESPRESSO

SLATE
ARDOISE
PIZARRA





 1-800-282-9346



HELLO@WEAREVITA.COM



WWW.WEAREVITA.COM



8:00 AM - 5:00 PM EST



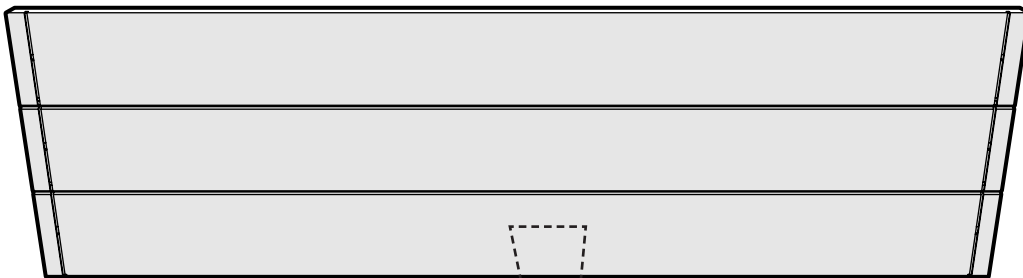
PARTS LIST

LISTE DES PIÈCES

LISTA DE PARTES



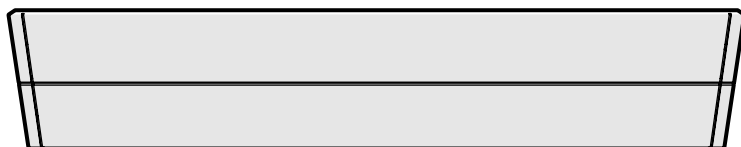
16030 - SLATE - ARDOISE - PIZARRA
15030 - ESPRESSO - EXPRESSO - ESPRESSO
BOARD A - PLANCHE A - TABLERO A
54 1/2 IN (138.4 CM) - **X2**



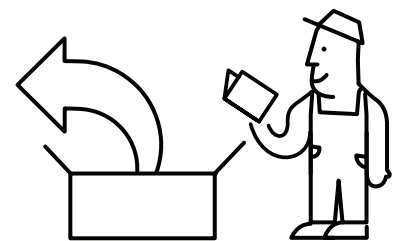
16148 - SLATE - ARDOISE - PIZARRA
15148 - ESPRESSO - EXPRESSO - ESPRESSO
BOARD B - PLANCHE B - TABLERO B
54 1/2 IN (138.4 CM) - **X4**



16020 - SLATE - ARDOISE - PIZARRA
15020 - ESPRESSO - EXPRESSO - ESPRESSO
BOARD C - PLANCHE C - TABLERO C
36 3/8 IN (92.4 CM) - **X4**



16021 - SLATE - ARDOISE - PIZARRA
15021 - ESPRESSO - EXPRESSO - ESPRESSO
BOARD D - PLANCHE D - TABLERO D
36 3/8 IN (92.4 CM) - **X4**





16022 - SLATE - ARDOISE - PIZARRA

15022 - ESPRESSO - EXPRESSO - ESPRESSO

BOARD E - PLANCHE D - TABLERO D

13 5/8 IN (34.7 CM) - **X8**



16023 - SLATE - ARDOISE - PIZARRA

15023 - ESPRESSO - EXPRESSO - ESPRESSO

BOARD F - PLANCHE F - TABLERO F

13 5/8 IN (34.7 CM) - **X2**



16032 - SLATE - ARDOISE - PIZARRA

15032 - ESPRESSO - EXPRESSO - ESPRESSO

FLOOR BOARD G - PLANCHE D'ÉTAGE G - TABLERO DE PISO G

14 IN (35.8 CM) - **X2**

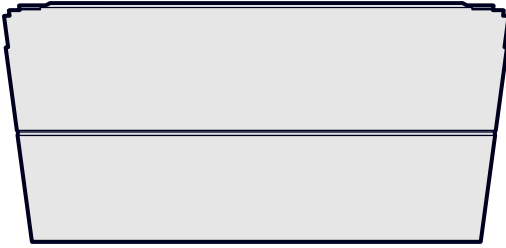


16033 - SLATE SLATE - ARDOISE - PIZARRA

15033 - ESPRESSO - EXPRESSO - ESPRESSO

FLOOR BOARD H - PLANCHE D'ÉTAGE H - TABLERO DE PISO H

14 IN (35.8 CM) - **X3**



16024 - SLATE - ARDOISE - PIZARRA

15024 - ESPRESSO - EXPRESSO - ESPRESSO

FLOOR BOARD I - PLANCHE D'ÉTAGE I - TABLERO DE PISO I

14 IN (35.8 CM) - **X4**



16025 - SLATE - ARDOISE - PIZARRA

15025 - ESPRESSO - EXPRESSO - ESPRESSO

FLOOR BOARD J - PLANCHE D'ÉTAGE J - TABLERO DE PISO J

14 IN (35.8 CM) - **X6**



16028 - SLATE - ARDOISE - PIZARRA

15028 - ESPRESSO - EXPRESSO - ESPRESSO

CROSS BRACE K - ENTRETOISE K - BRAZO CRUZADO K

13 3/4 IN (35.2 CM) - **X3**

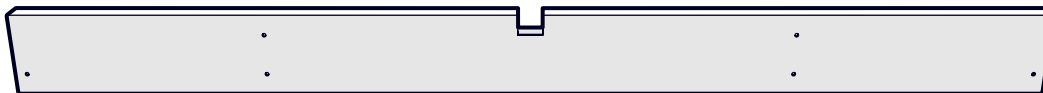


16031 - SLATE SLATE - ARDOISE - PIZARRA

15031 - ESPRESSO - EXPRESSO - ESPRESSO

FLOOR BRACE L - BRACE DE PLANCHER L - BRACE DE PISO L

54 1/2 IN (138.4 CM) - **X2**



16026 - SLATE SLATE - ARDOISE - PIZARRA

15026 - ESPRESSO - EXPRESSO - ESPRESSO

FLOOR BRACE M - BRACE DE PLANCHER M - BRACE DE PISO M

36 3/8 IN (92.4 CM) - **X4**



16029

POST O - PUBLIER O - EXPONER O

33" (83.7 CM) - **X2**



16044

POST P - PUBLIER P - EXPONER P

33" (83.7 CM) - **X2**



16250

C-CHANNEL Q - C-CHAÎNE Q - C-CANNAL Q

18 1/4" (46.5 CM) - **X4**



16251

C-CHANNEL R - C-CHAÎNE R - C-CANNAL R

18 1/4" (46.5 CM) - **X4**



16252

C-CHANNEL S - C-CHAÎNE S - C-CANNAL S

18 1/4" (46.5 CM) - **X2**



16523

C-CHANNEL T - C-CHAÎNE T - C-CANNAL T

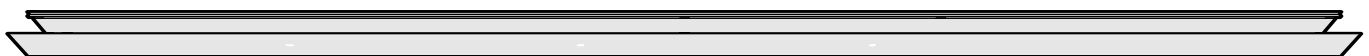
18 1/4" (46.5 CM) - **X2**



16127

C-CHANNEL U - C-CHAÎNE U - C-CHANNEL U

33" (83.7 CM) - **X2**



16121

C-CHANNEL V - C-CHAÎNE V - C-CHANNEL K

47 1/2" (120.8 CM) - **X4**



16128

POST INSERT W - INSÉRER LE MESSAGE W - POST INSERTAR W

24 3/8" (62 CM) - **X2**



16122

POST INSERT X - INSÉRER LE MESSAGE X - POST INSERTAR X

26 3/8" (67 CM) - **X2**



16120

POST Y - PUBLIER Y - EXPONER Y

47 1/2" (120.8 CM) - **X2**



16029

POST Z - PUBLIER Z - EXPONER Z

33" (84 CM) - **X2**



16147

POST FILLER AA - POST-REMPLISSEUR AA - PUESTO DE RELLENO AA

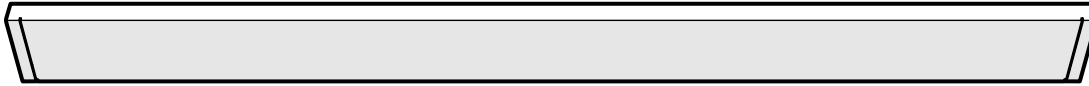
41 3/8" (105 CM) - **X2**



16146

POST FILLER BB - POST-REMPLISSEUR BB - PUESTO DE RELLENO BB

24 1/2" (62.4 CM) - **X2**

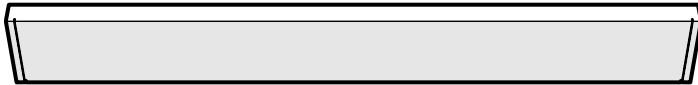


16129 - SLATE - ARDOISE - PIZARRA

15129 - ESPRESSO - EXPRESSO - ESPRESSO

TRELLIS BOARD CC - PLANCHE DE TREILLIS CC - TABLERO DE ENREJADO CC

54 1/2" (138.4CM) - **X5**

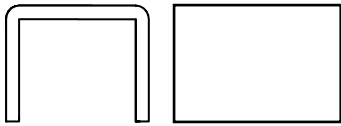


16123 - SLATE - ARDOISE - PIZARRA

15123 - ESPRESSO - EXPRESSO - ESPRESSO

TRELLIS BOARD DD - PLANCHE DE TREILLIS DD - TABLERO DE ENREJADO DD

36 3/8" (92.4CM) - **X14**



16124 - SLATE - ARDOISE - PIZARRA

15124 - ESPRESSO - EXPRESSO - ESPRESSO

U-SPACER EE - U-SPACER EE - U-ESPACIADOR EE

3 5/8" x 7/8" (9.1 CM x 2.2 CM) - **x34**



16254

POST GG - PUBLIER GG - EXPONER GG

18 1/4" (46.5 CM) - **X4**



16125 - SLATE - ARDOISE - PIZARRA

15125 - ESPRESSO - EXPRESSO - ESPRESSO

BOTTOM U-SPACER FF - ENTRETOISE EN U INFÉRIEURE FF - ESPACIADOR EN U INFERIOR FF

5" x 7/8" (12.7 CM x 2.2 CM) - **x4**



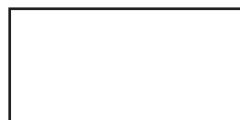
16325

POST CAP

ETE DE POTEAU

TAPON

X16



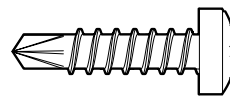
16067

LOCKING TAB

ONGLET DE VERROUILLAGE

PESTAÑA DE BLOQUEO

X2



20066

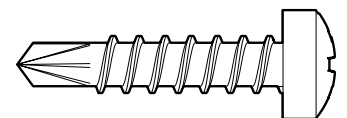
SCREW

VISSER

TORNILLO

5/8IN (1.6CM)

X12



20080

SCREW

VISSER

TORNILLO

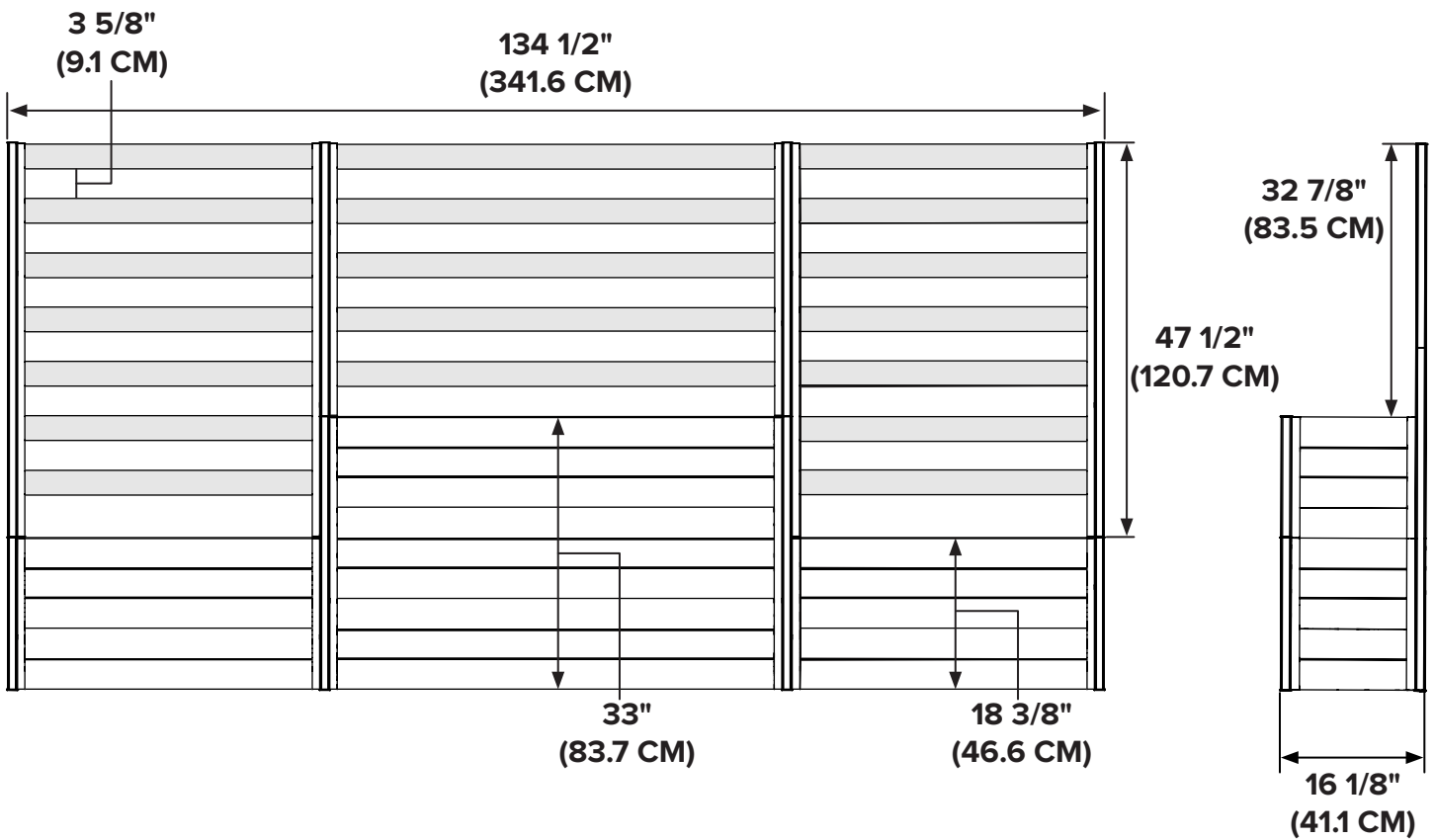
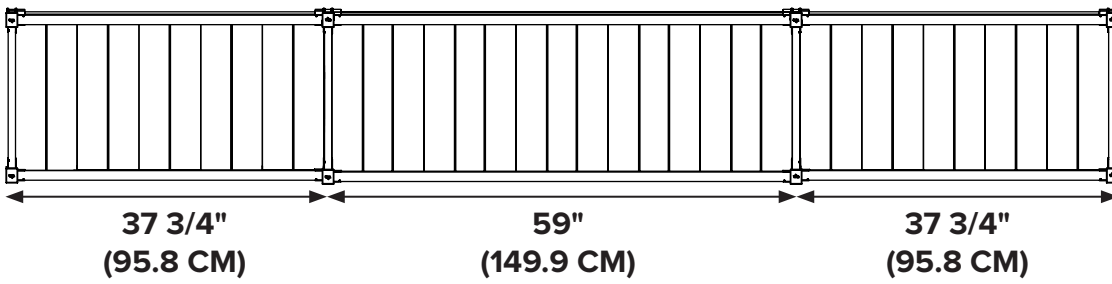
1 1/4IN (3.2CM)

X40

PRODUCT DIMENSIONS

DIMENSIONS DU PRODUIT

DIMENSIONES DEL PRODUCTO



SOIL CAPACITY

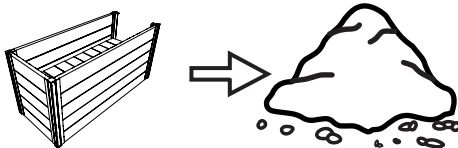

CAPACITÉ DU SOL

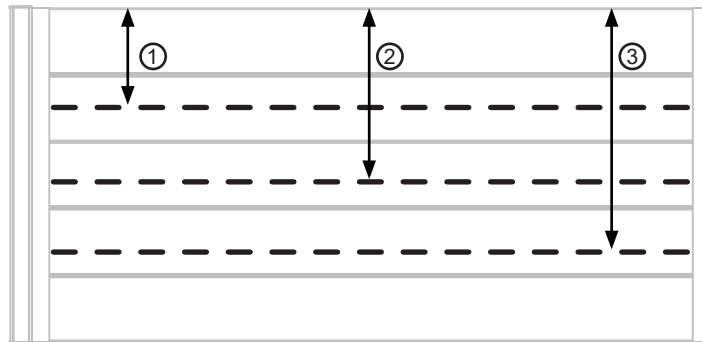
CAPACIDAD DEL SUELO

SMALL PARKLETTE

JARDINÈRA MINI PARKLETTE

PLANTADOR DE MINI PARKLETTE

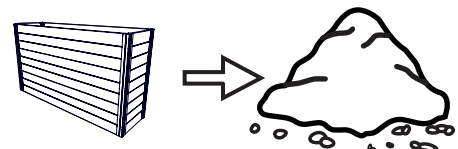

			
False Bottom	Depth	Soil Capacity	Bags of Soil
①	3 5/8" (9.1 cm)	1.1 cubic feet (30.6 liters)	x1
②	7 5/8" (19.3cm)	2.3 cubic feet (64.7 liters)	x2
③	11 5/8" (29.4cm)	3.5 cubic feet (98.7 liters)	x4

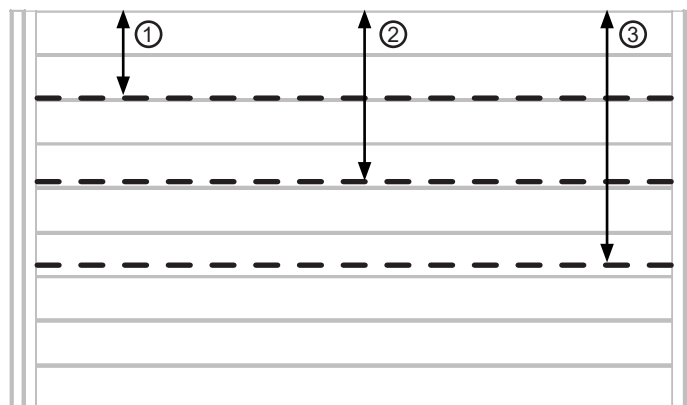


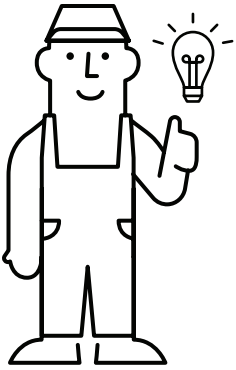
LARGE PARKLETTE

GRAND PLANTEUR DE PARKLETTE

GRAN PARKLETTE PLANTER

			
False Bottom	Depth	Soil Capacity	Bags of Soil
①	8 5/8" (22.1cm)	4.0 cubic feet (113.0 liters)	x4
②	14 5/8" (37.3cm)	6.8 cubic feet (191.8 liters)	x7
③	21 5/8" (52.5cm)	10.0 cubic feet (283.7 liters)	x10

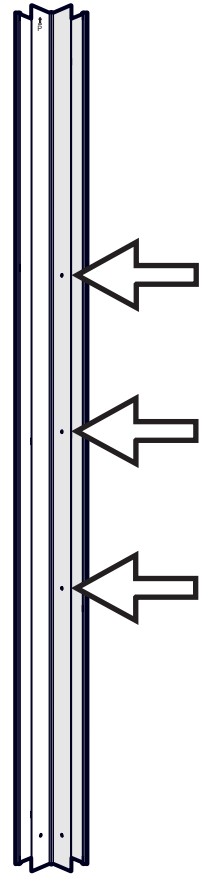




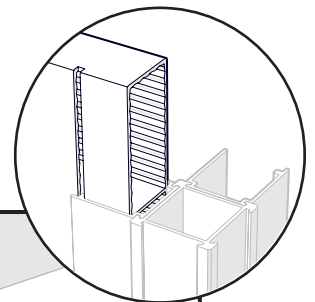
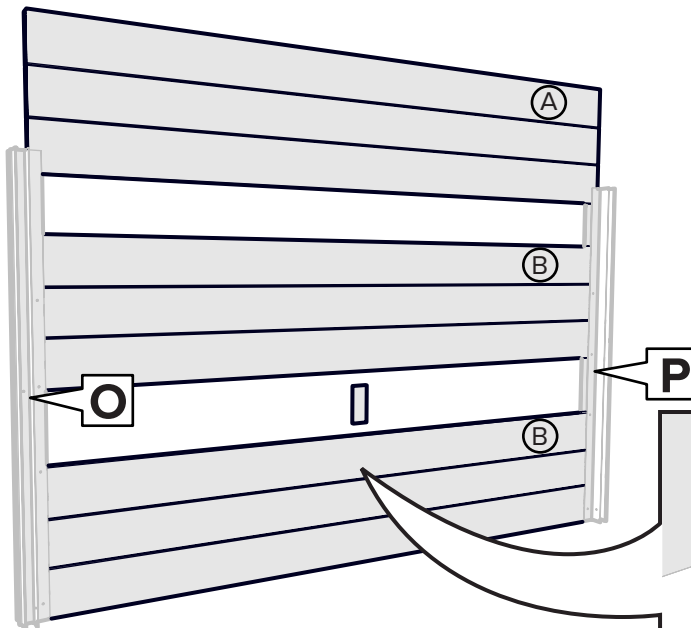
THESE THREE SCREW HOLES ALLOW YOU TO POSITION YOUR FLOOR BRACE AT DIFFERENT DEPTHS. CHOOSE YOUR DEPTH ACCORDING TO WHAT YOU WILL BE PLANTING AND HOW MUCH SOIL IS NEEDED!

CES TROIS TROUS DE VIS VOUS PERMETTENT DE POSITIONNER VOTRE CONTREVENTEMENT À DIFFÉRENTES PROFONDEURS. CHOISISSEZ VOTRE PROFONDEUR EN FONCTION DE CE QUE VOUS ALLEZ PLANTER ET DE LA QUANTITÉ DE TERRE NÉCESSAIRE!

ESTOS TRES ORIFICIOS PARA TORNILLOS LE PERMITEN COLOCAR LA RIOSTRA DEL PISO A DIFERENTES PROFUNDIDADES. ¡ELIJA SU PROFUNDIDAD DE ACUERDO CON LO QUE VA A PLANTAR Y LA CANTIDAD DE TIERRA QUE SE NECESITA!



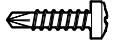
- 16030/15030 - x2 (A)
- 16148/15148 - x4 (B)
- 16067 - x2
- 16029 - x2 (O)
- 16044 - x2 (P)




X2

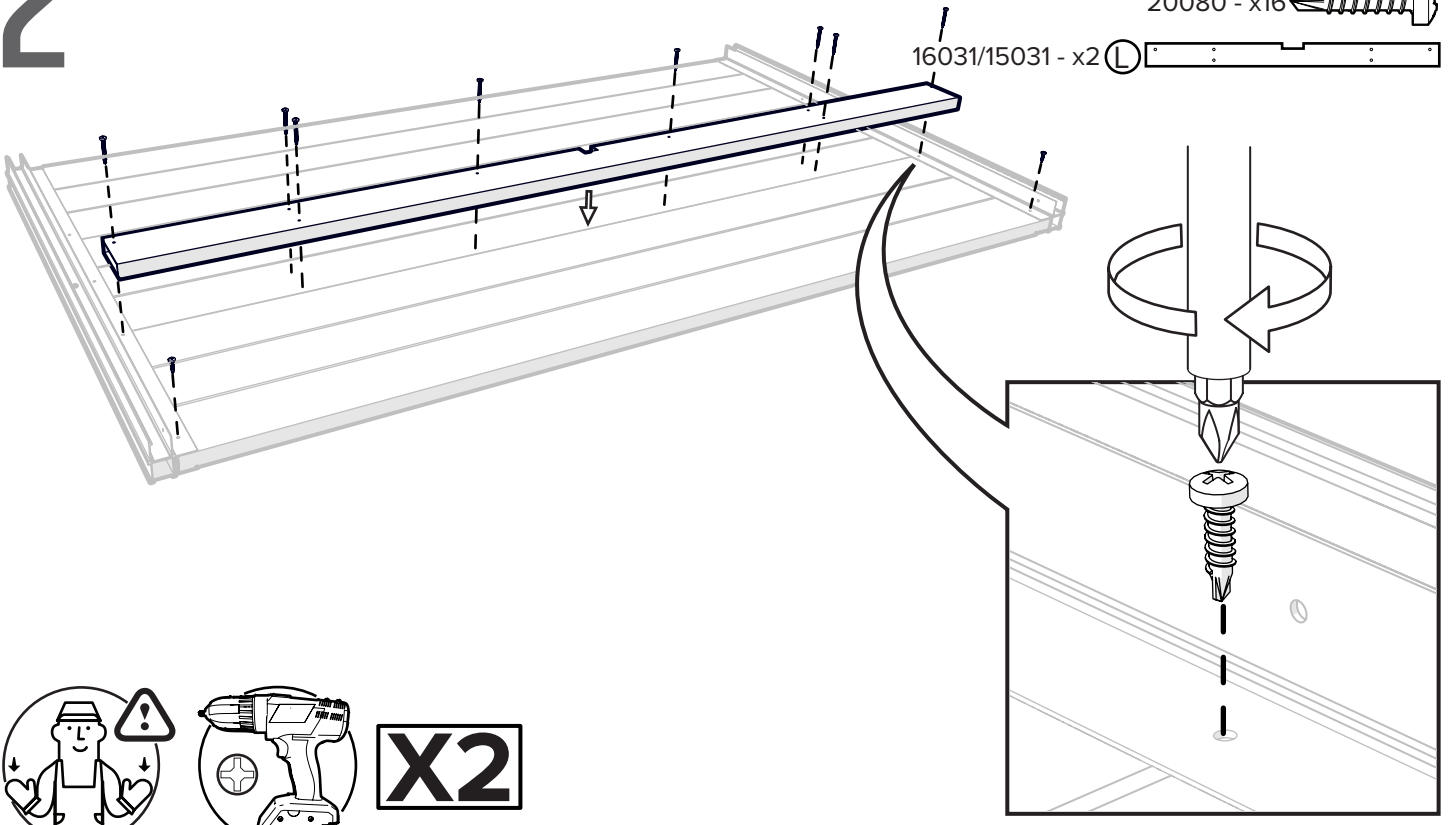


2

20066 - x4 

20080 - x16 

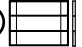
16031/15031 - x2 

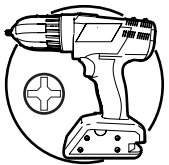
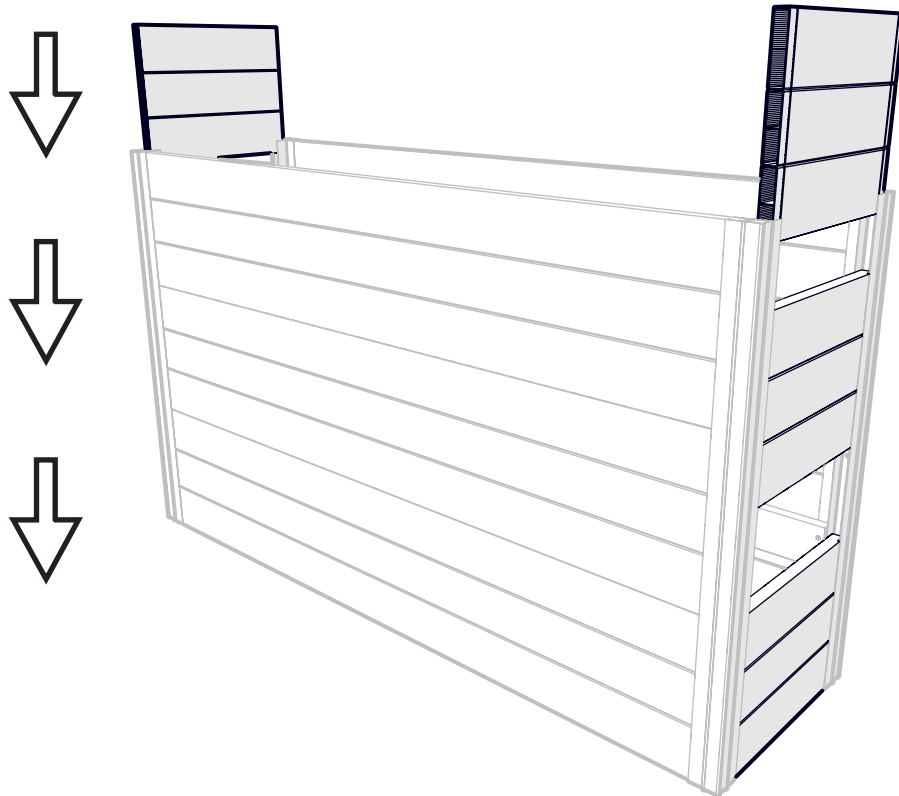


 PHILIPS #2

X2


3

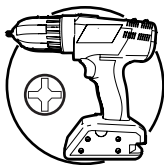
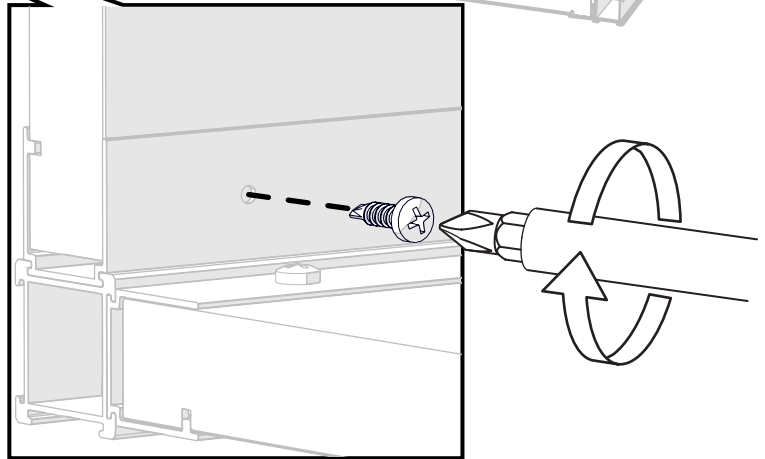
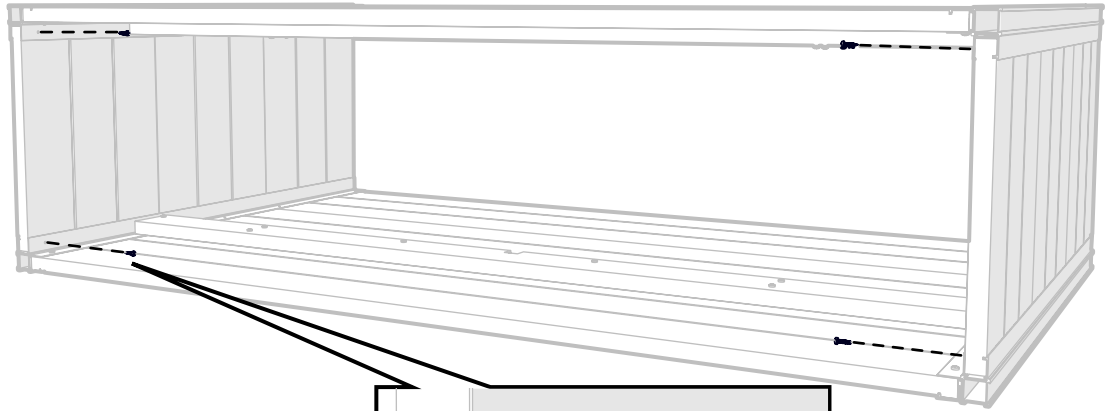
16022/15022 - x6 



PHILIPS #2


4

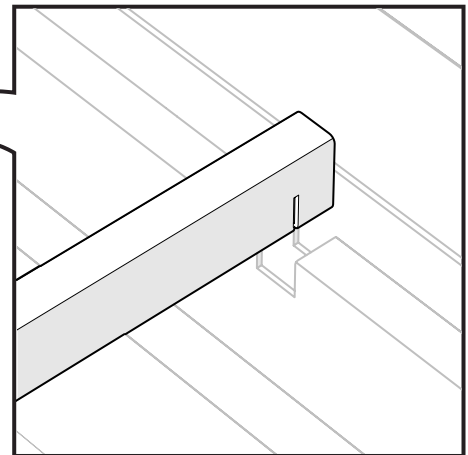
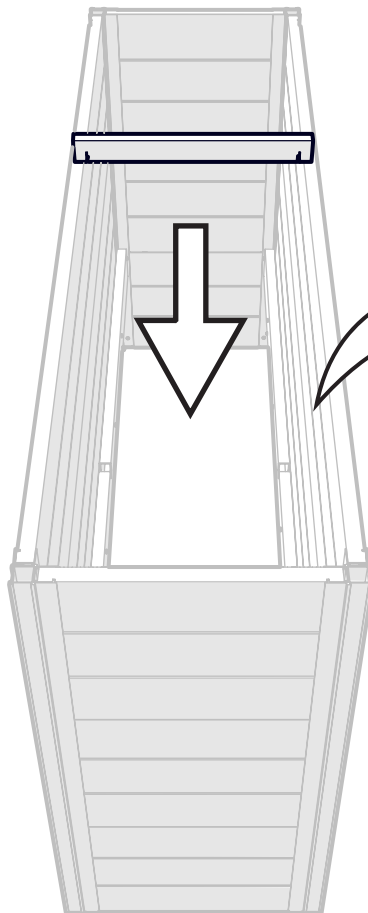
20066 - x4 



PHILIPS #2

5

16028/15028 - x1 



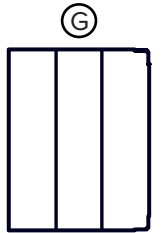
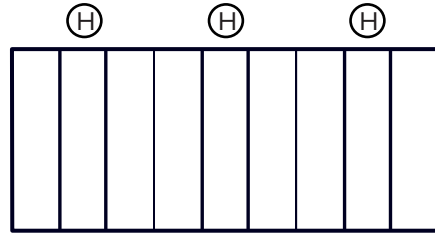
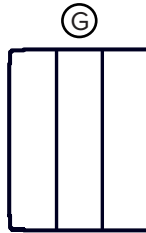
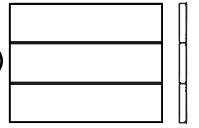
6



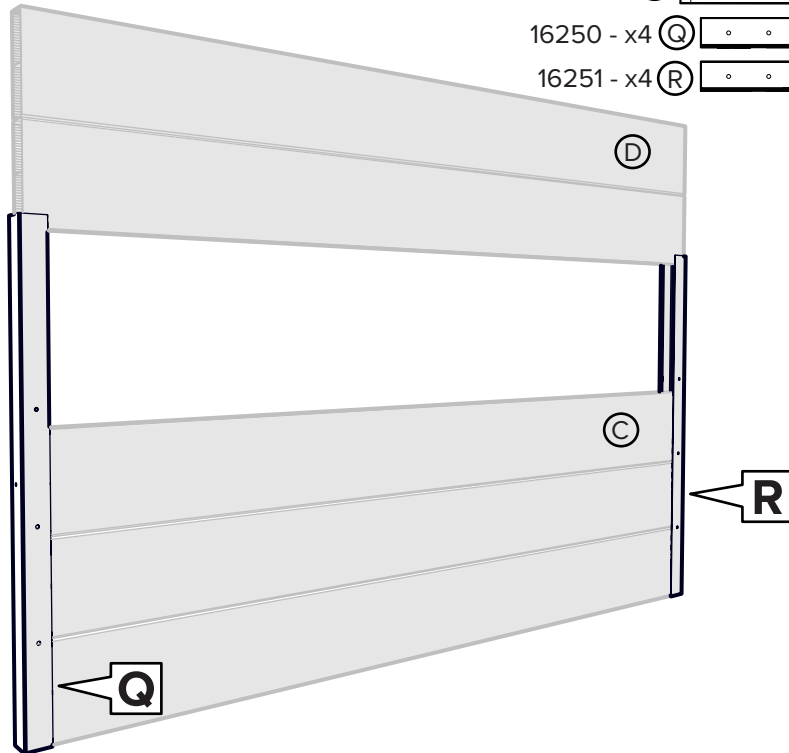
16032/15032 - x2 (G)



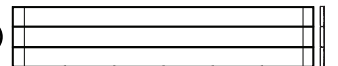
16033/15033 - x3 (H)



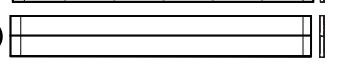
7



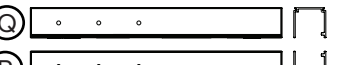
16020/15020 - x4 (C)



16021/15021 - x4 (D)



16250 - x4 (Q)



16251 - x4 (R)

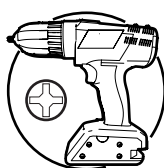
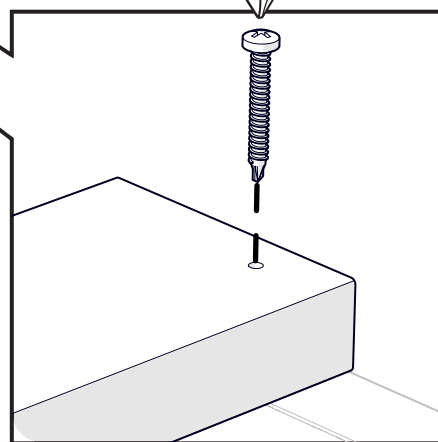
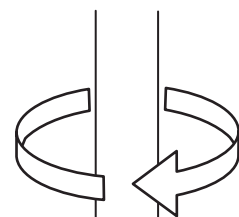
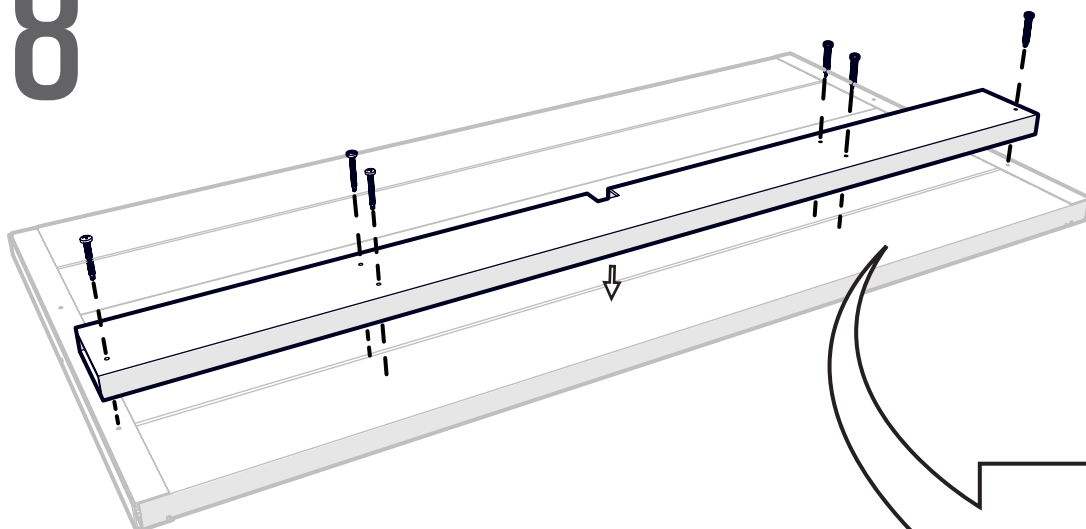


X4

8

15026/16026 - x4 (M)

20080 - x24



X4

PHILIPS #2

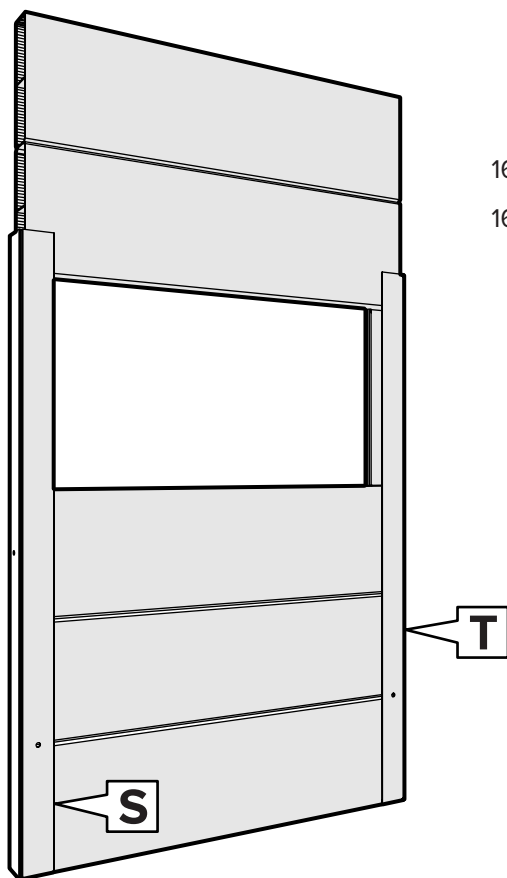
9

16023/15023 - x2 (F)

16022/15022 - x2 (E)

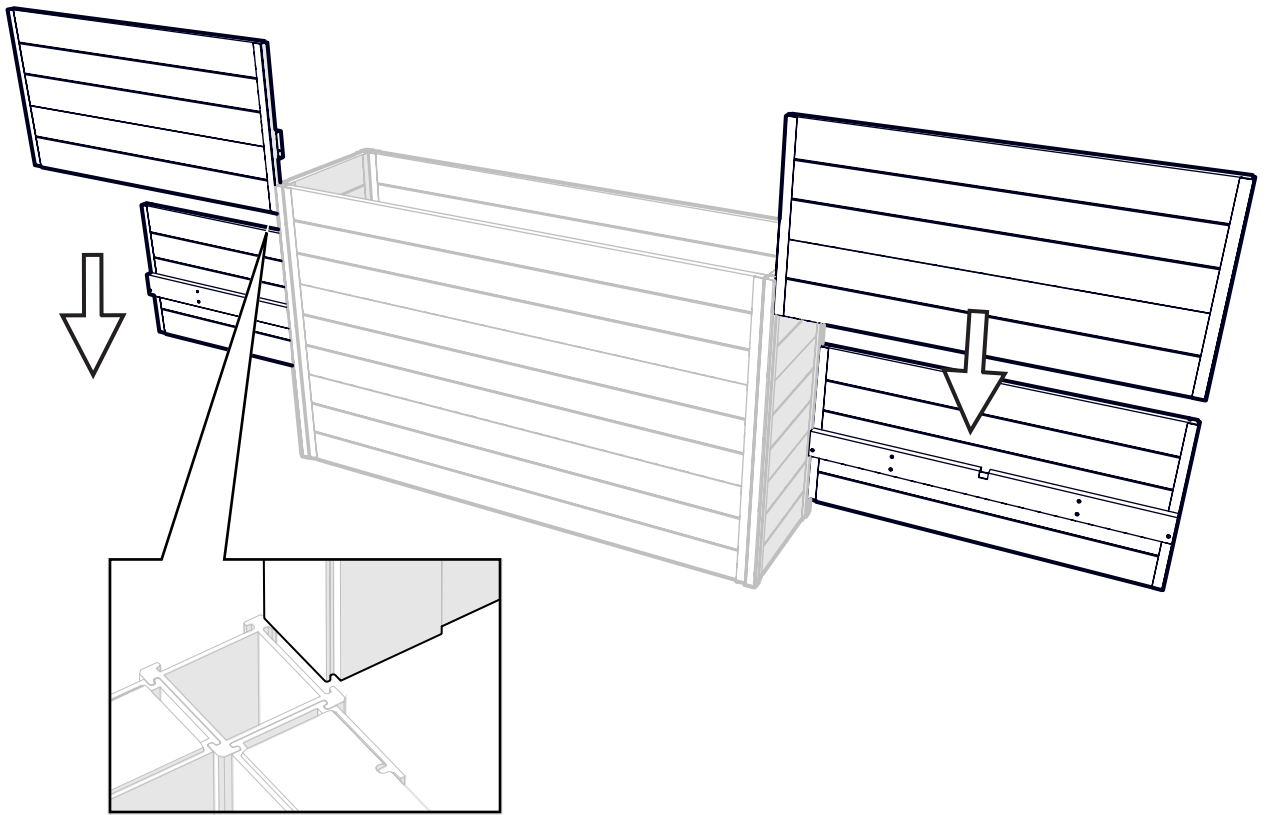
16252 - x2 (S)

16253 - x2 (T)


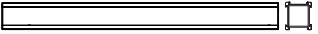


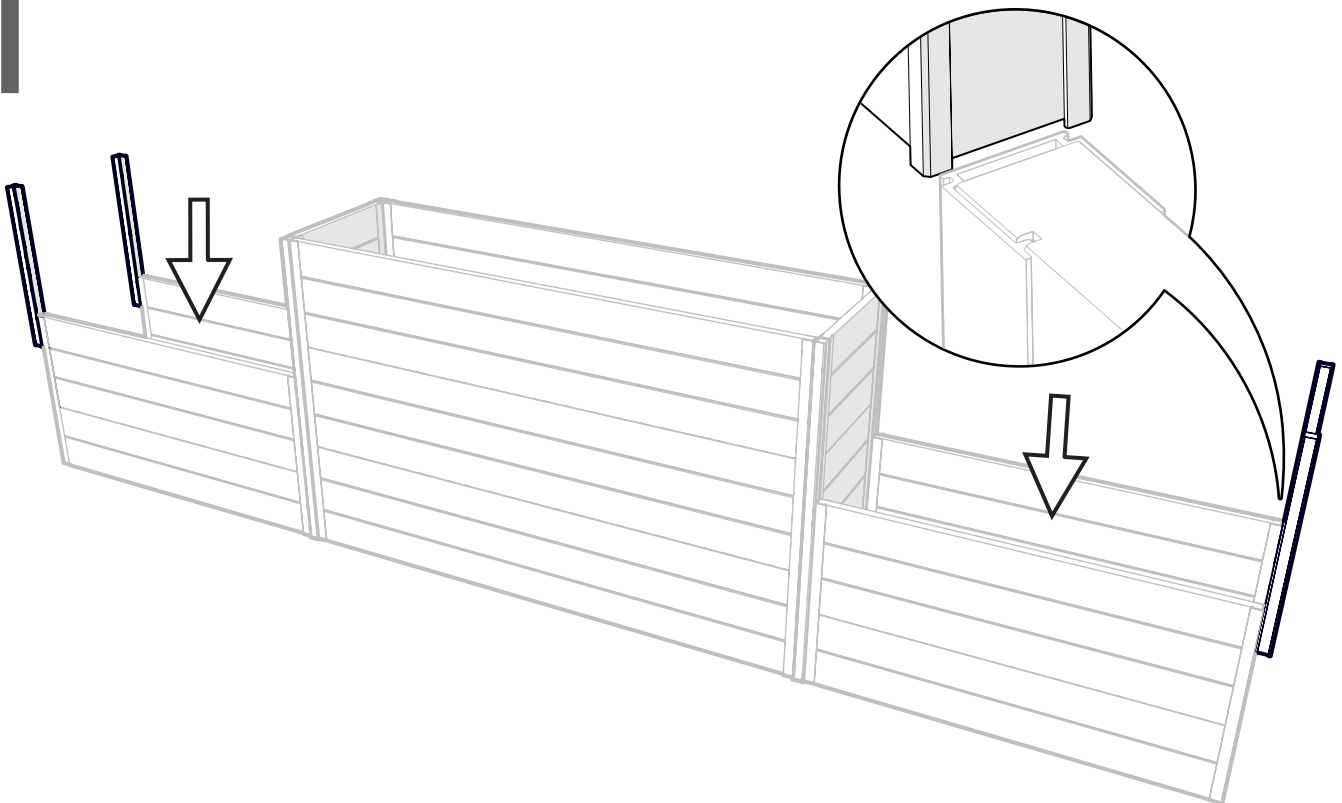
X2

10

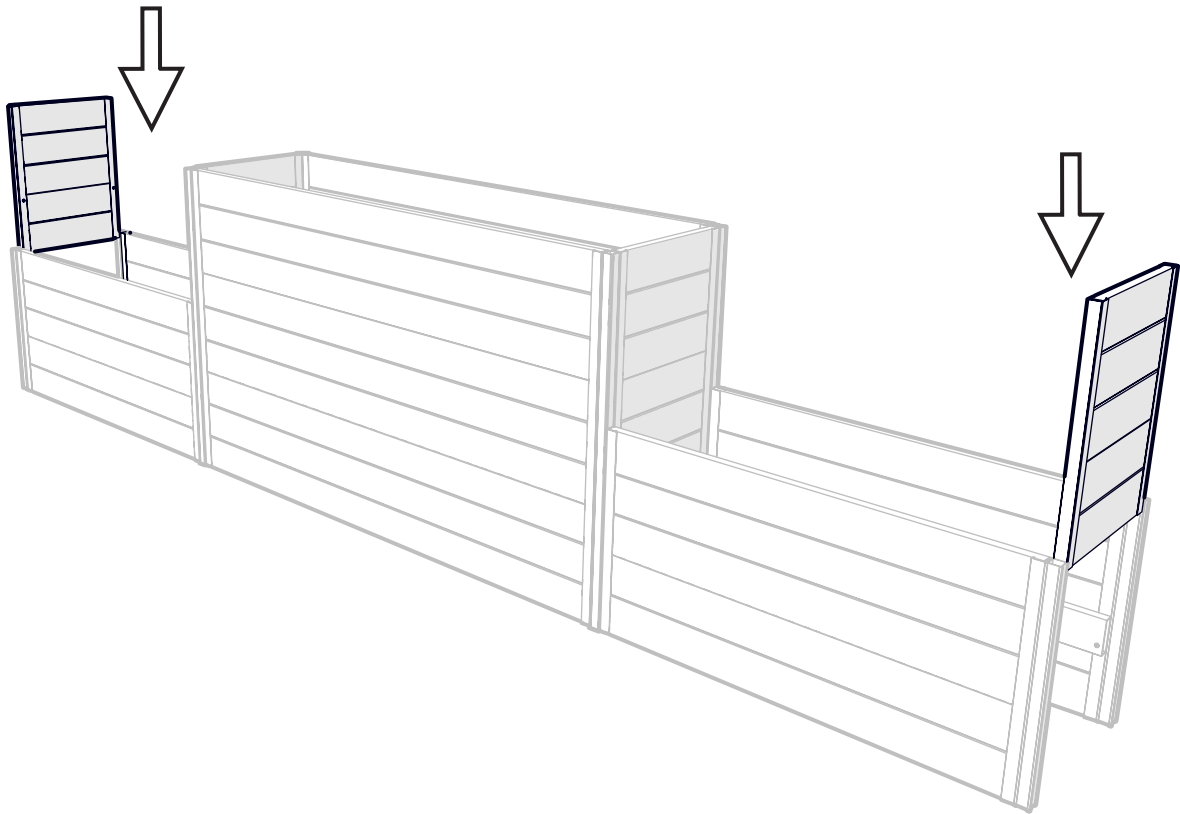


11

16254 - x4  

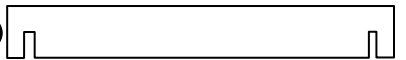


12

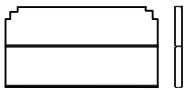


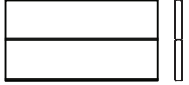
13

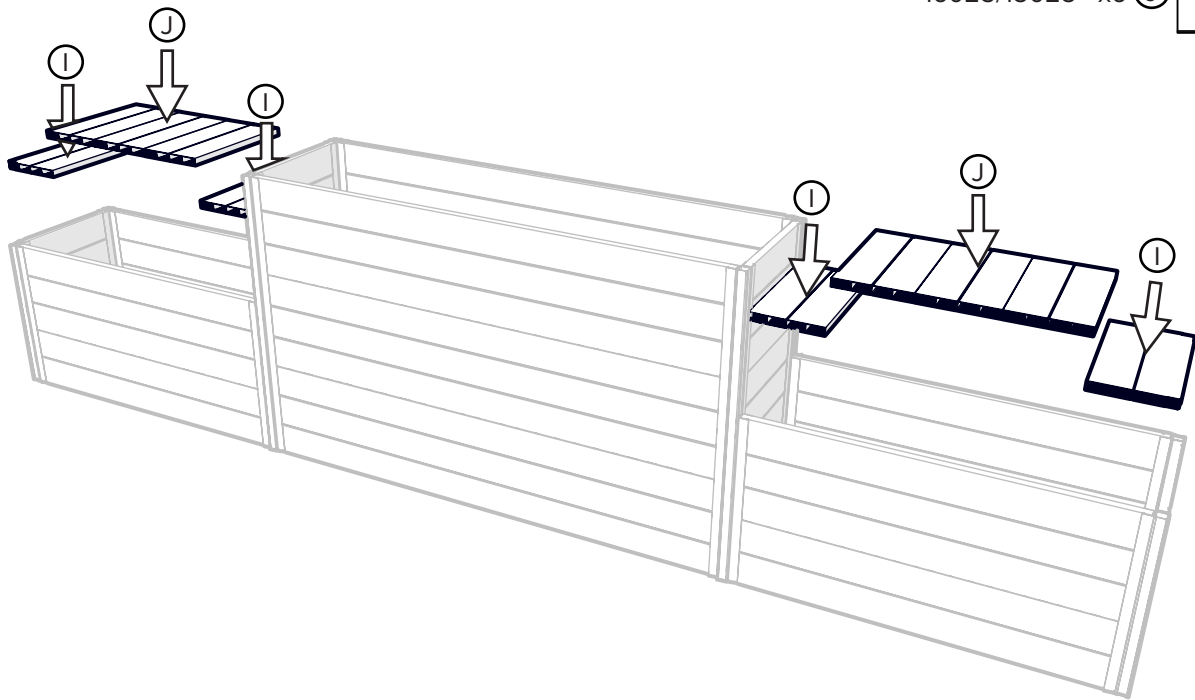
16028/15028 - x1 (K)



14

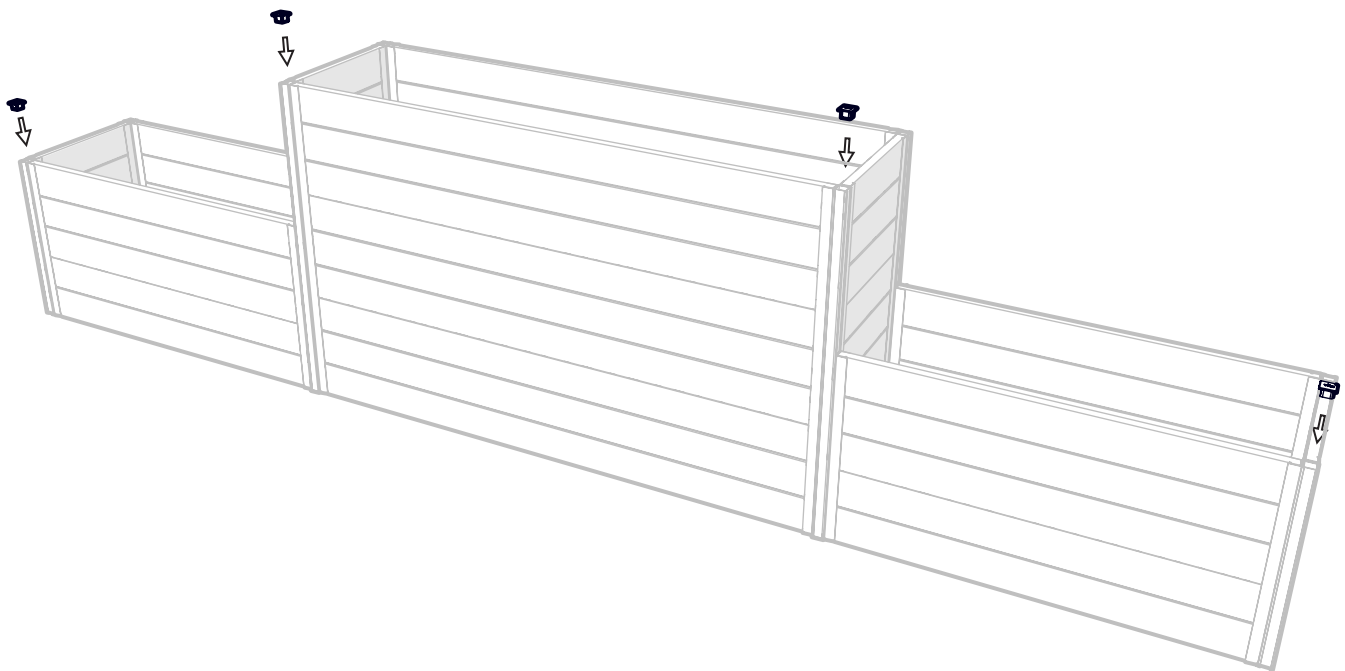
16024/15024 - x4 

16025/15025 - x6 



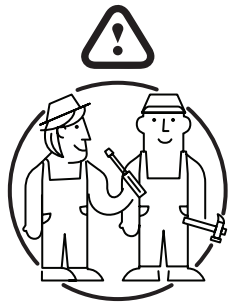
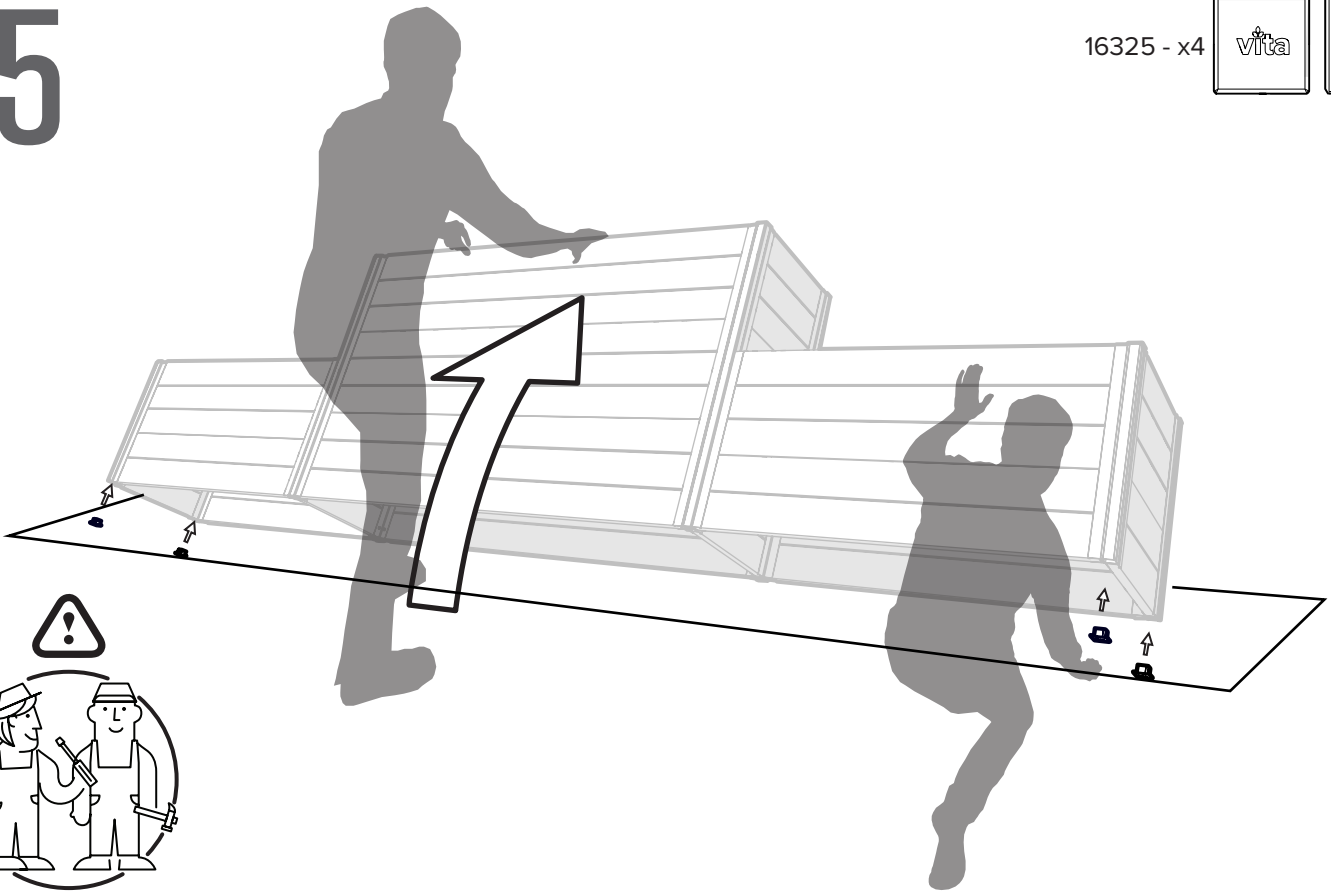
15

16325 - x4 




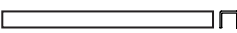
15

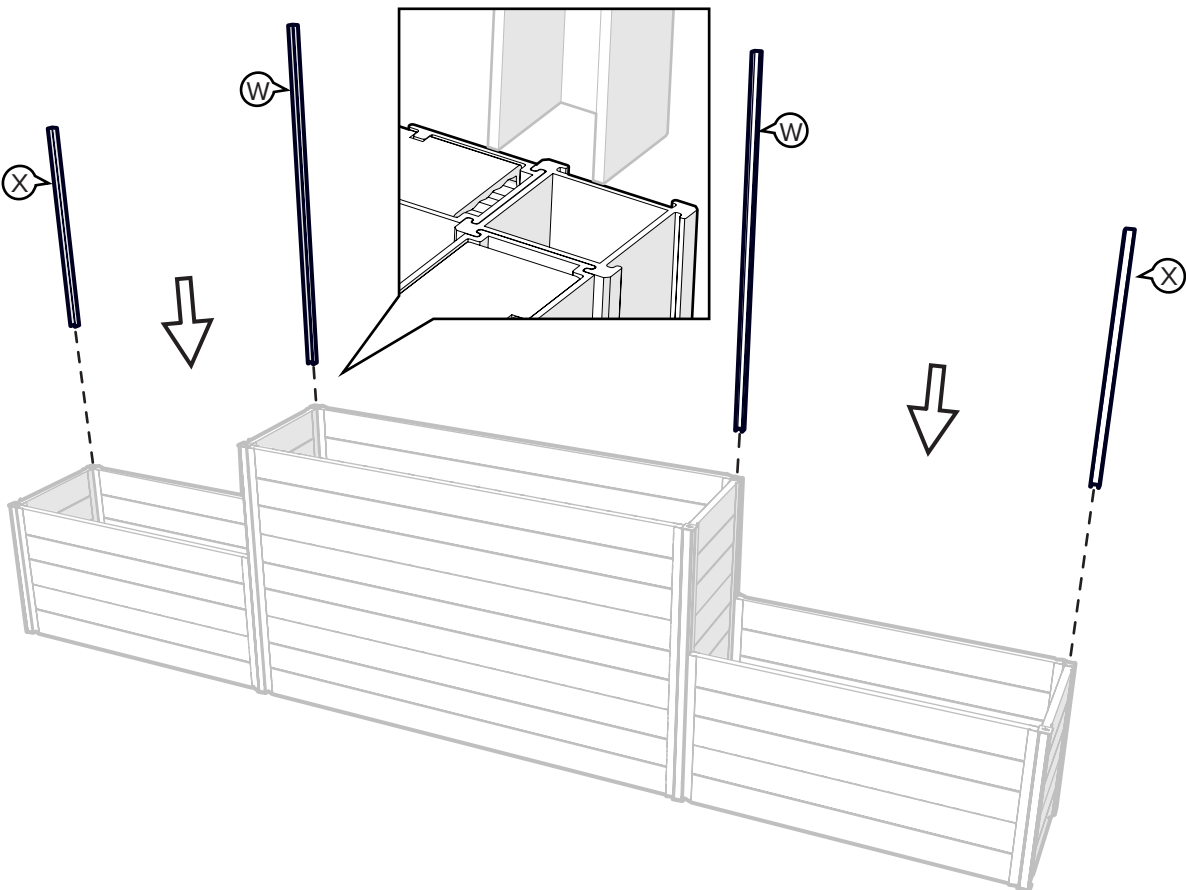
16325 - x4



16

16122 - x2 (X) 

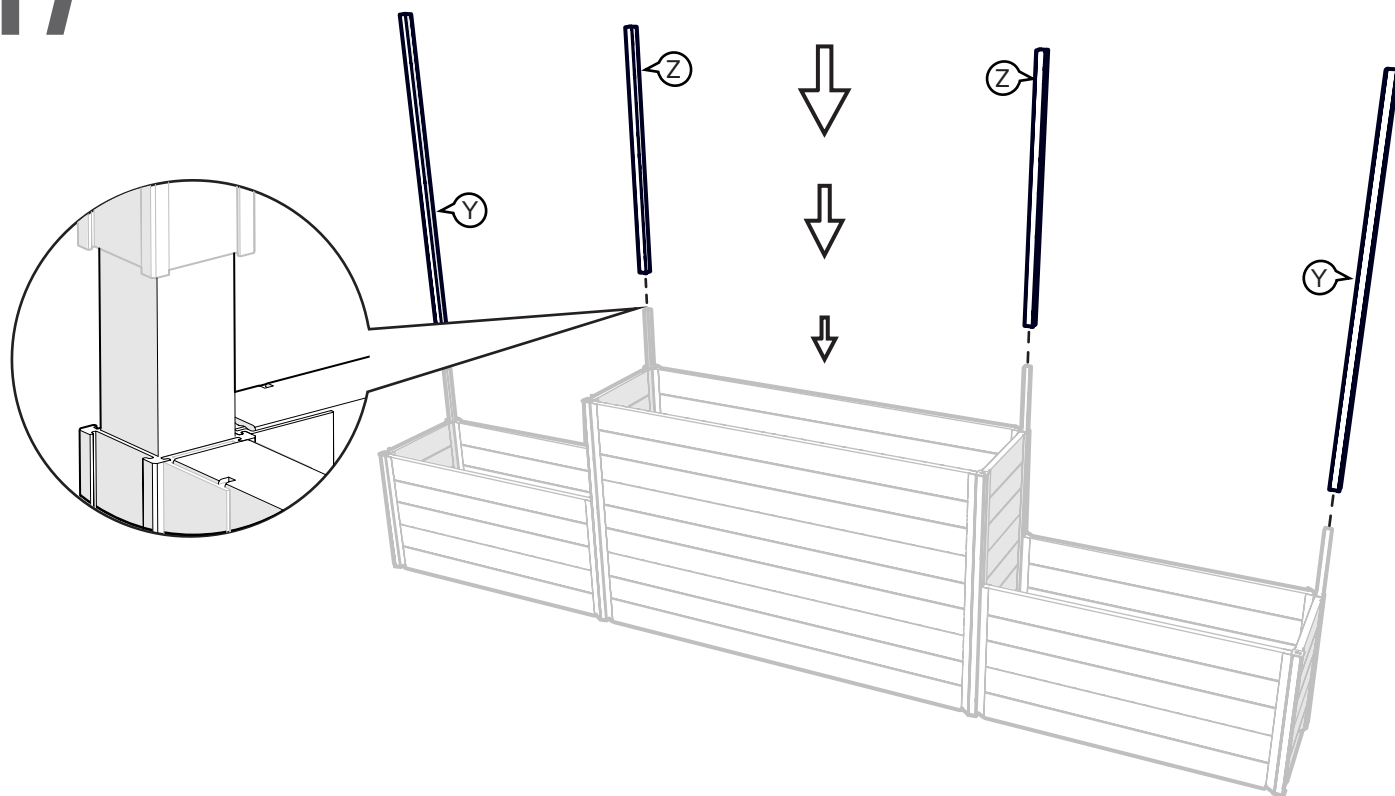
16128 - x2 (W) 



17

16029 - x2 (Z)

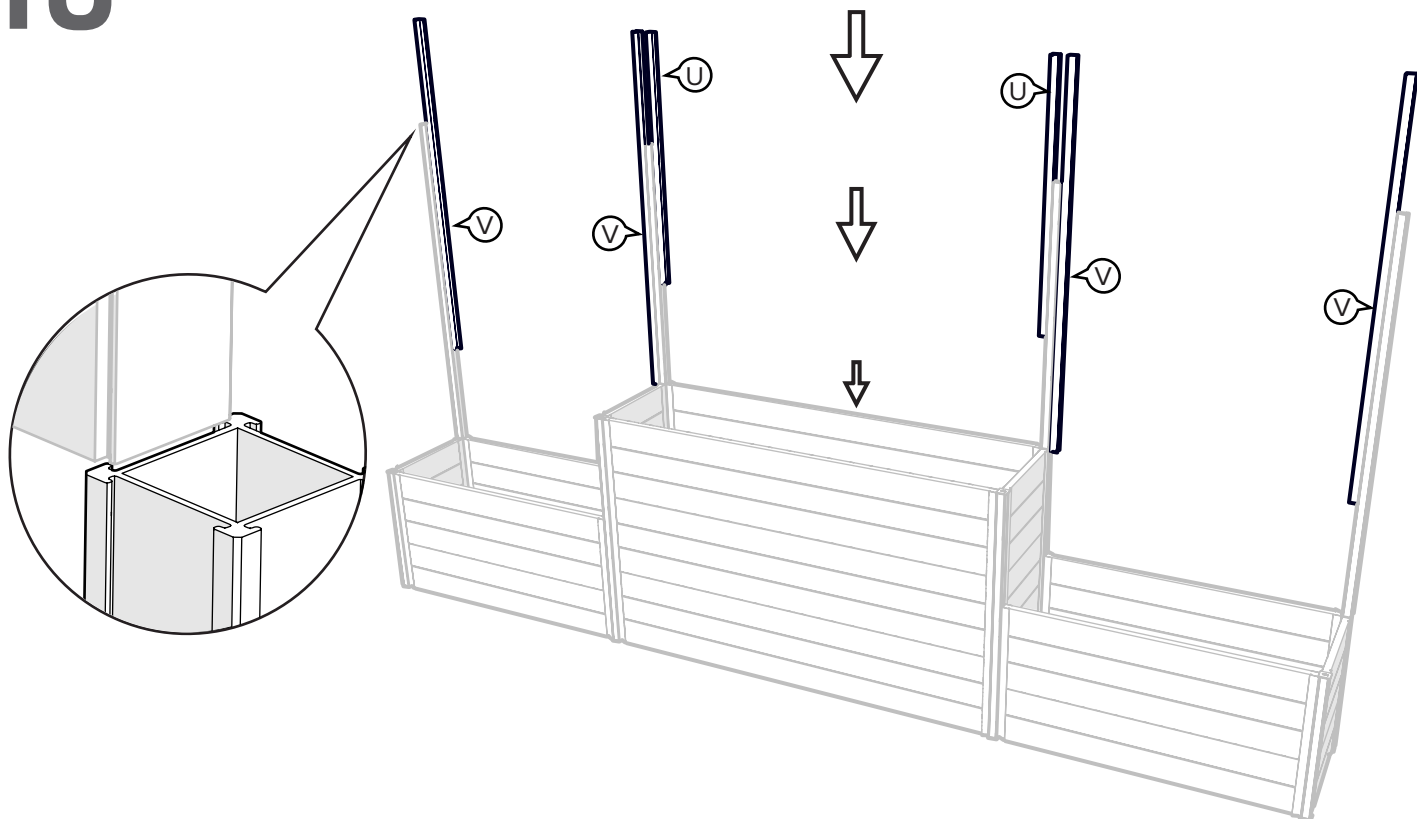
16120 - x2 (Y)



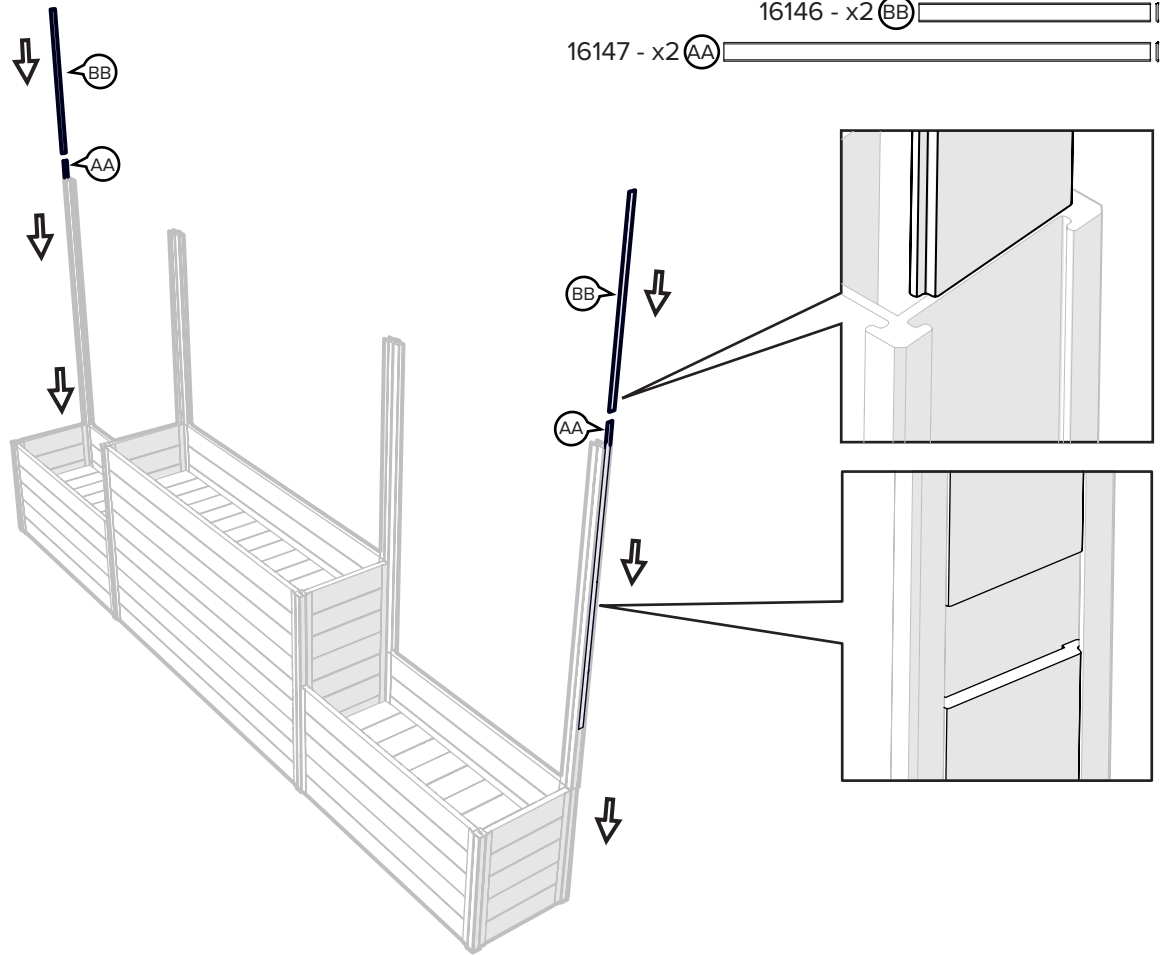
18

16127 - x2 (U)

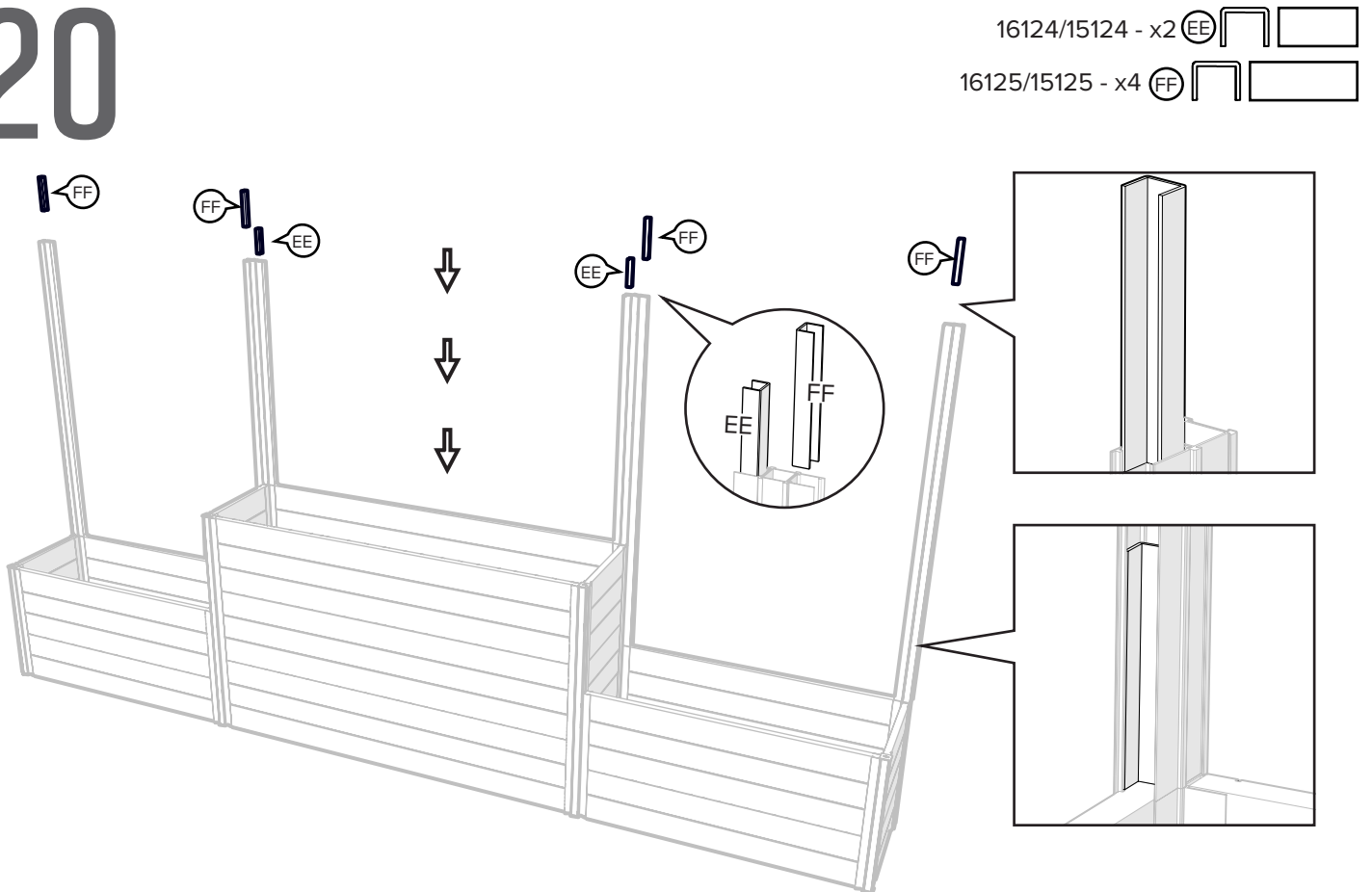
16121 - x4 (V)




19

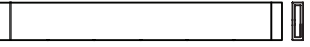


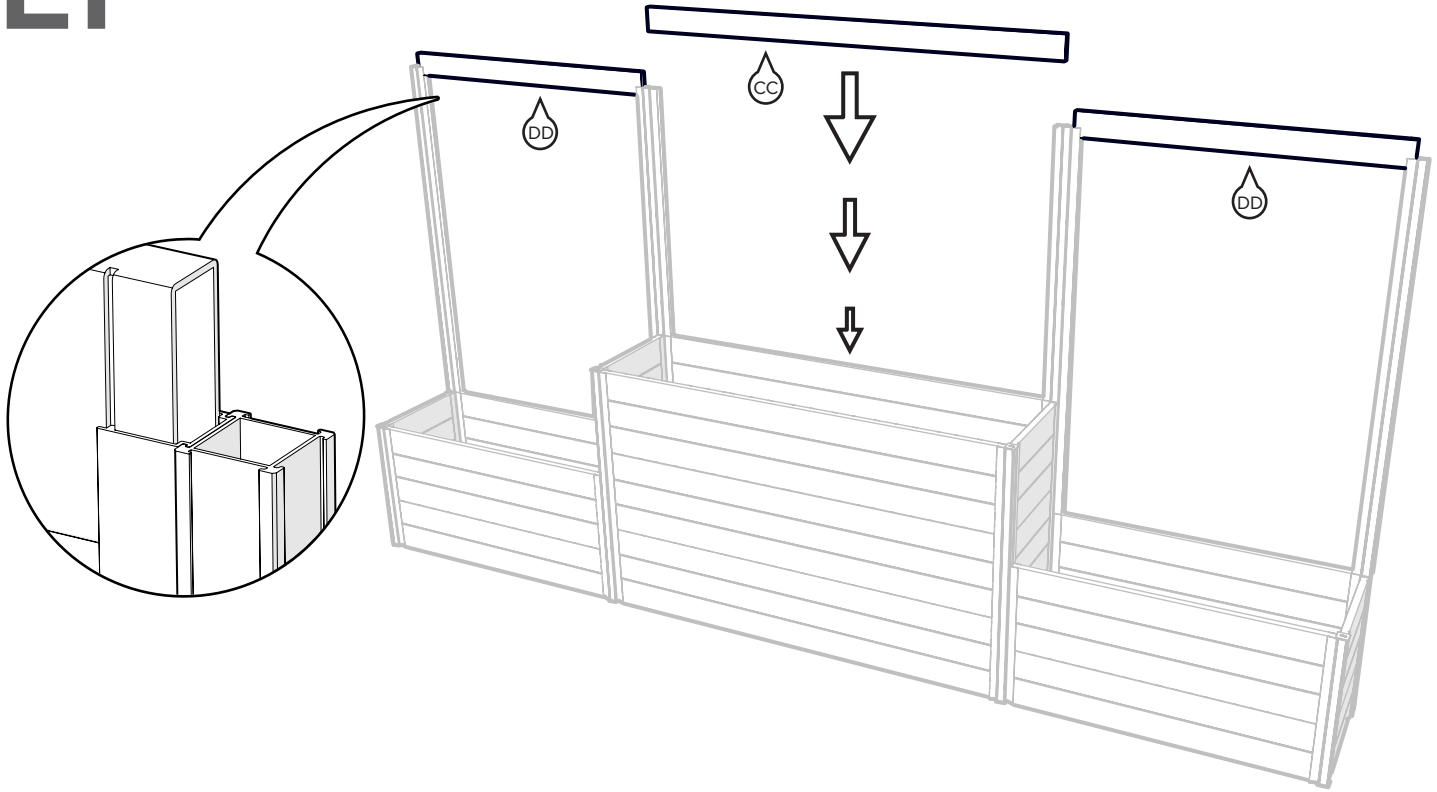
20



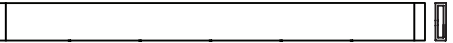
21

16129/15129 - x1 


16123/15123 - x2 

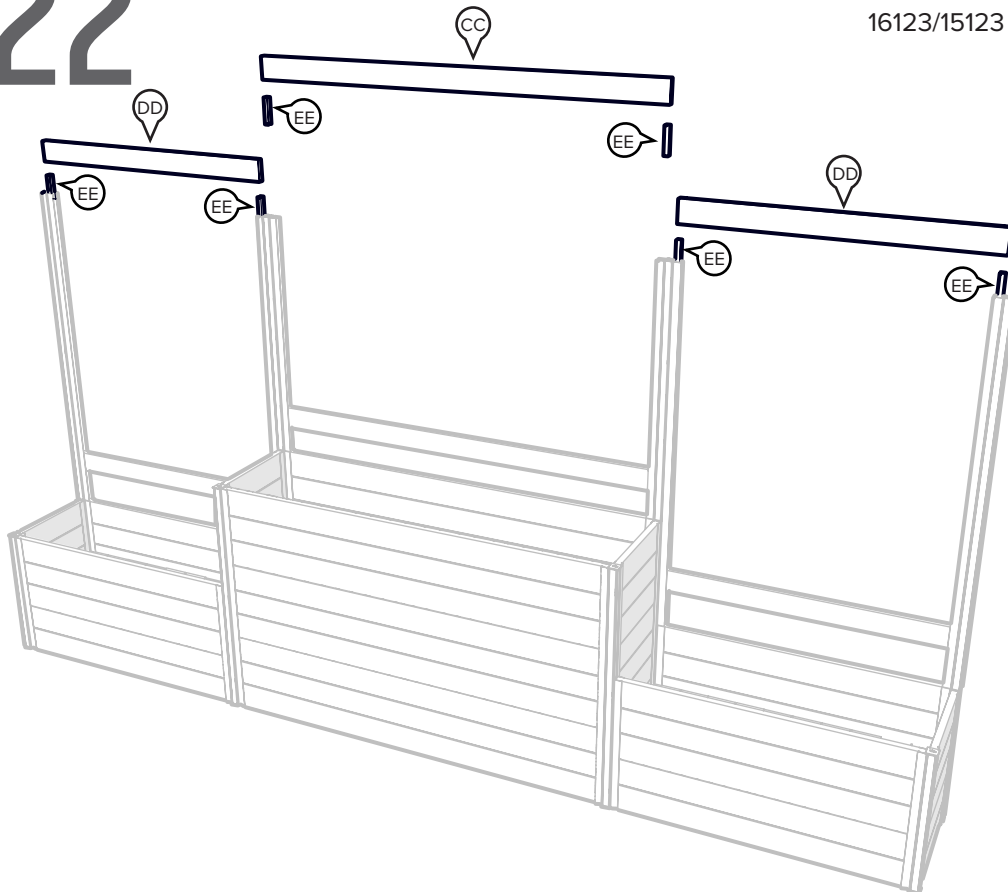


22

16129/15129 - x4 

16123/15123 - x12 

16124/15124 - x32 



 **REPEAT STEPS 20 AND 21
RÉPÉTEZ LES ÉTAPES 20 ET 21
REPITA LOS PASOS 20 Y 21**

