



**ASSEMBLY GUIDE
GUIDE DE MONTAGE
GUÍA DE MONTAJE**

URBANA

URBANA II' PARKLETTE PLANTER COMBO WITH TRELLIS

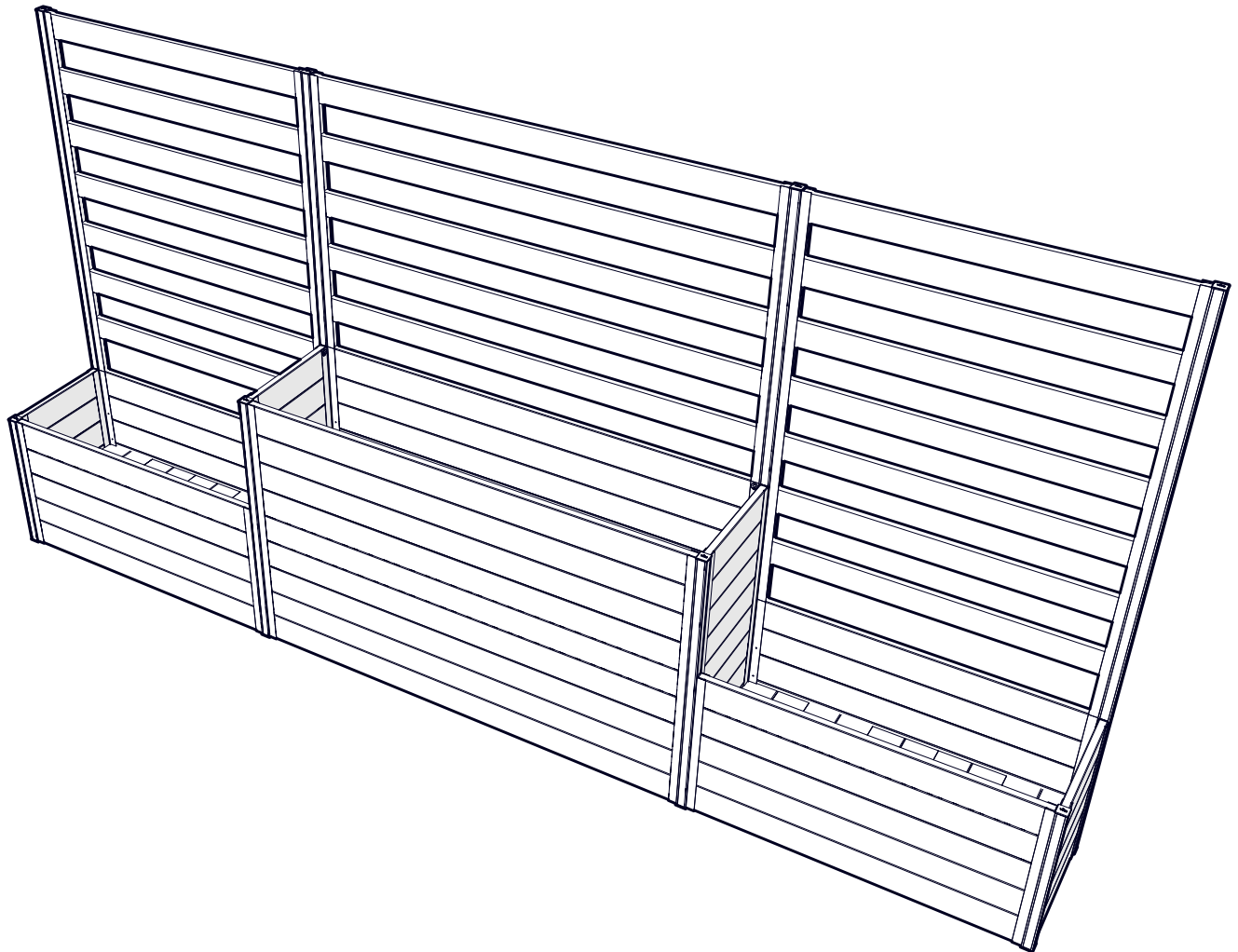
URBANA II" COMBO PLANTEUR PARKLETTE AVEC TREILLIS

URBANA II' COMBO JARDINERA PARKLETTE CON ENREJADO

VT17530 / VT17630

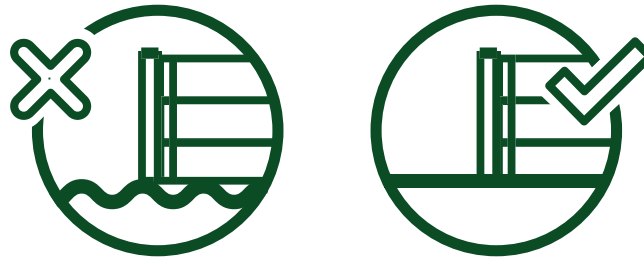
ESPRESSO
EXPRESSO
ESPRESSO

SLATE
ARDOISE
PIZARRA





REQUIRED TOOLS AND MATERIALS (NOT INCLUDED)
OUTILS ET MATÉRIAUX REQUIS (NON INCLUS)
HERRAMIENTAS Y MATERIALES REQUERIDOS (NO INCLUIDOS)



HELLO@WEAREVITA.COM



VISIT WWW.WEAREVITA.COM
CLICK 'CHAT'



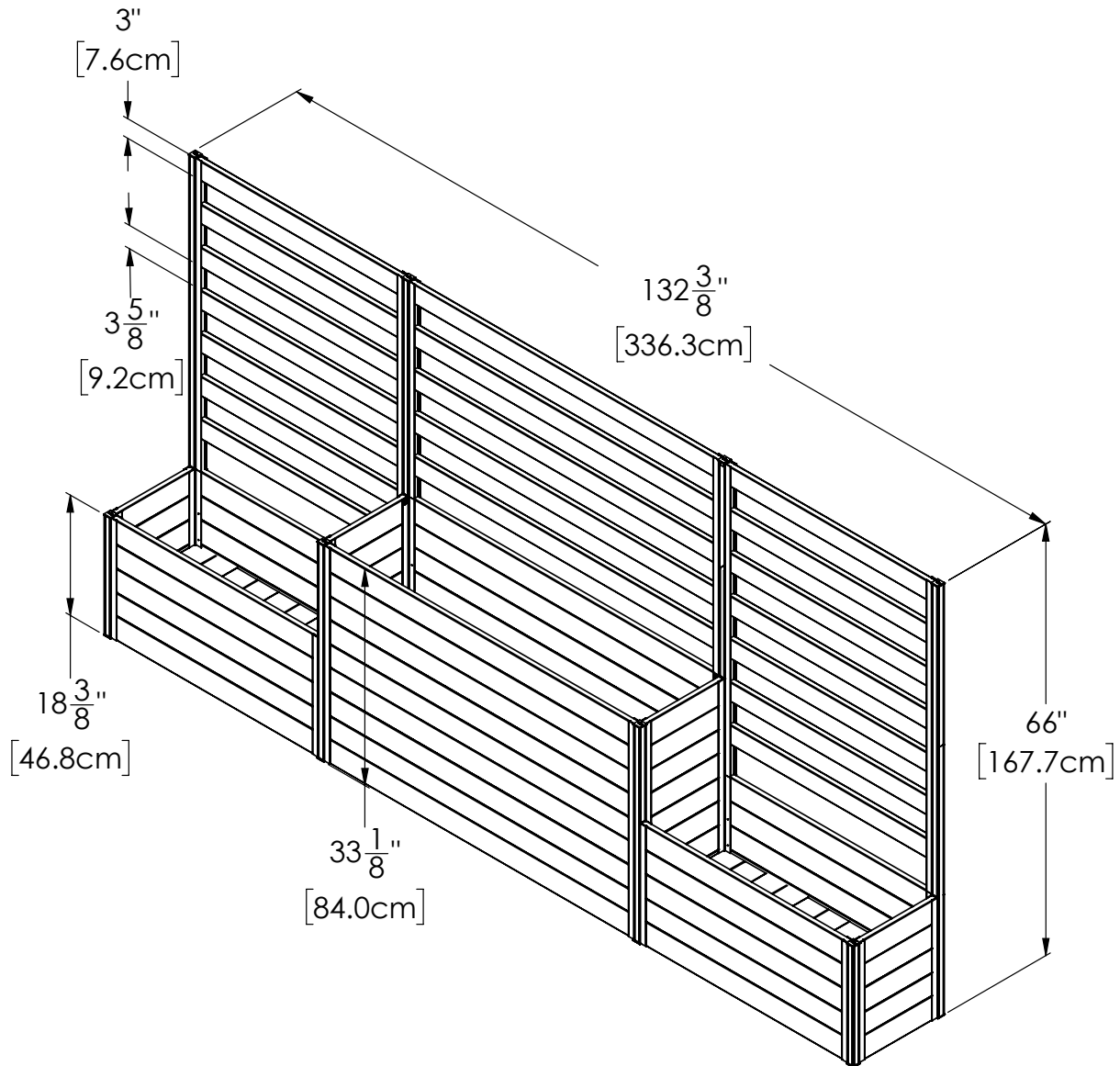
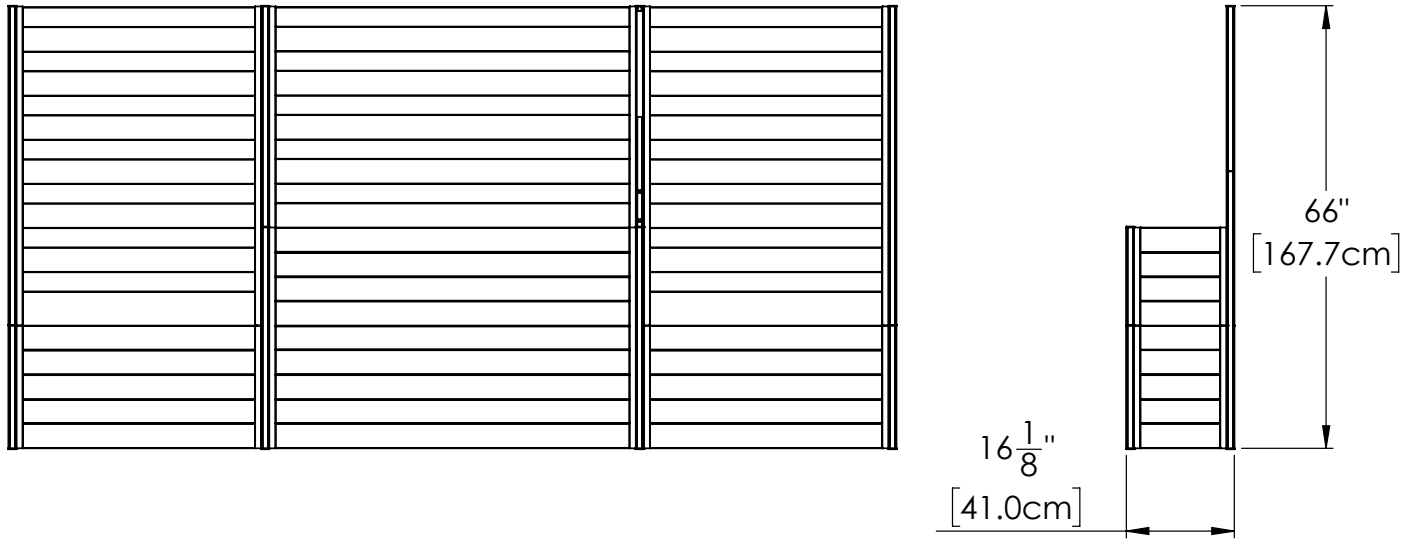
1-800-282-9346
MONDAY - FRIDAY | 8AM - 5PM EST



PRODUCT DIMENSIONS

DIMENSIONS DU PRODUIT

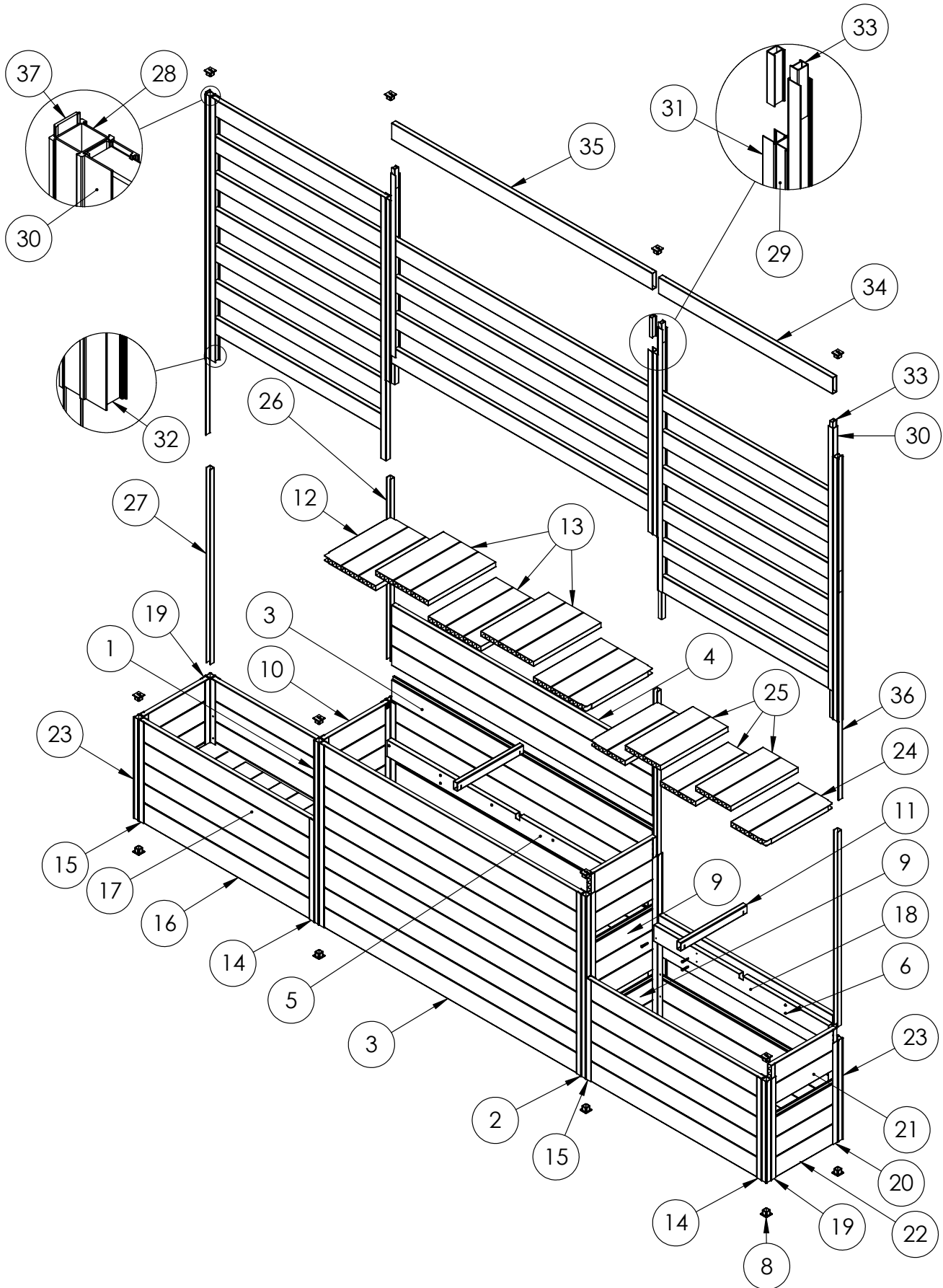
DIMENSIONES DEL PRODUCTO



PARTS LIST

LISTE DES PIÈCES

LISTADO DE PIEZAS

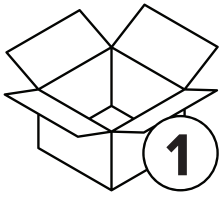


PARTS LIST

LISTE DES PIÈCES

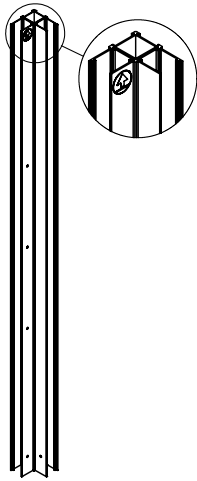
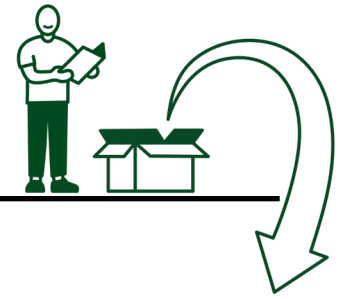
LISTADO DE PIEZAS

Item No.	Part Number (Espresso)	Part Number (Slate)	Description	Dimension	QTY.
1	16029	16029	Right Post- Large Parklette	33" (83.6 cm)	2
2	16044	16044	Left Post- Large Parklette	33" (83.6 cm)	2
3	15231	16231	Long Board- Large Parklette	54 1/2" (138.4 cm)	4
4	15232	16232	Long Upper Board- Large Parklette	54 1/2" (138.4 cm)	2
5	15031	16031	Floorboard Support Brace	54 1/2" (138.4 cm)	2
6	20080	20080	Round Head Screw	#8 X 1 1/4" (3.2 cm)	40
7	20066	20066	Round Head Screw	#8 X 5/8" (1.6 cm)	12
8	16325	16325	Post Cap	1 1/4" X 1 1/4" (3.2cm X 3.2cm)	16
9	15233	16233	Short Board- Large Parklette	13 5/8" (34.6 cm)	4
10	15234	16234	Upper Short Board- Large Parklette	13 5/8" (34.6 cm)	2
11	15028	16028	Cross Brace	13 3/4" (35.0 cm)	3
12	15032	16032	End Floorboard- Large Parklette	14" (35.8 cm)	2
13	15033	16033	Mid Floorboard- Large Parklette	14" (35.8 cm)	3
14	16250	16250	Left C-Channel	18 3/8" (46.5 cm)	4
15	16251	16251	Right C-Channel	18 3/8" (46.5 cm)	4
16	16330	16331	Long Lower Board- Small Parklette	36 3/8" (92.4 cm)	4
17	16332	16333	Long Upper Board- Small Parklette	36 3/8" (92.4 cm)	4
18	15026	16026	Floorboard Support Brace	36 3/8" (92.4 cm)	4
19	16253	16253	Right C-Channel	18 3/8" (46.5 cm)	2
20	16252	16252	Left C-Channel	18 3/8" (46.5 cm)	2
21	16328	16329	Short Upper Board- Small Parklette	13 5/8" (34.6 cm)	2
22	16326	16327	Short Lower Board- Small Parklette	13 5/8" (34.6 cm)	2
23	16254	16254	Corner Post- Small Parklette	18 3/8" (46.5 cm)	4
24	15024	16024	End Floorboard- Small Parklette	14" (35.8 cm)	4
25	15025	16025	Mid Floorboard- Small Parklette	14" (35.8 cm)	6
26	16339	16339	Post Insert- Short	32 7/8" (83.6 cm)	2
27	16340	16340	Post Insert- Long	35 1/4" (89.6 cm)	2
28	16120	16120	Outer Post- Trellis	47 1/2" (120.7 cm)	2
29	10329	10329	Inner Post- Trellis	33" (83.6 cm)	2
30	16121	16121	C-Channel- Left, Right Trellis	47 1/2" (120.7 cm)	4
31	16127	16127	C Channel- Middle Trellis	33" (83.6 cm)	2
32	15125	16125	U Spacer	5" (12.7 cm)	4
33	15124	16124	U Spacer	3 5/8" (9.2 cm)	34
34	15123	16123	Slat- Left, Right Trellis	36 3/8" (92.4 cm)	14
35	15129	16129	Slat- Middle Trellis	54 1/2" (138.4 cm)	5
36	16147	16147	Post Filler- Lower	41 1/4" (104.8 cm)	2
37	16146	16146	Post Filler- Upper	24 1/2" (62.4 cm)	2

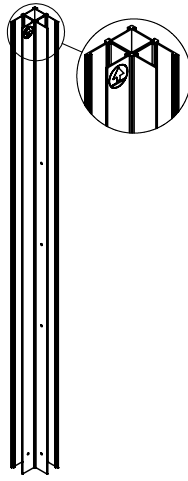


PARTS LIST

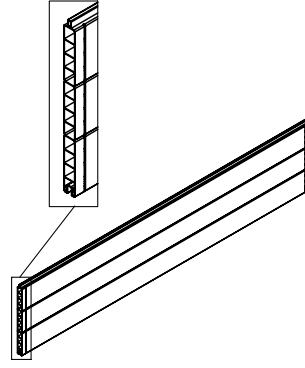
LISTE DES PIÈCES
LISTADO DE PIEZAS



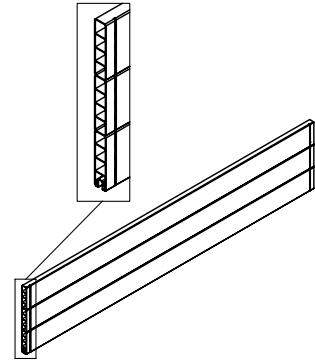
1 X2



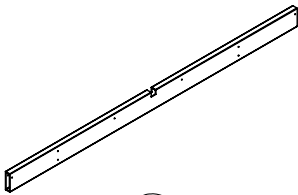
2 X2



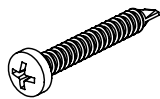
3 X4



4 X2



5 X2



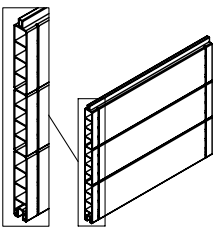
6 X40



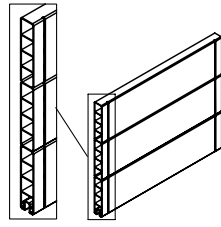
7 X12



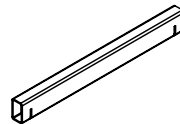
8 X16



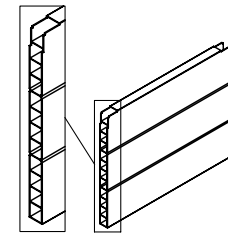
9 X4



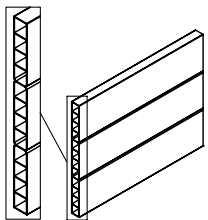
10 X2



11 X3



12 X2



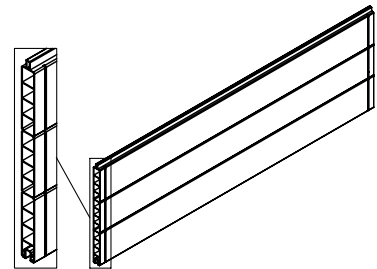
13 X3



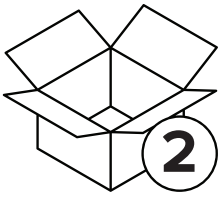
14 X4



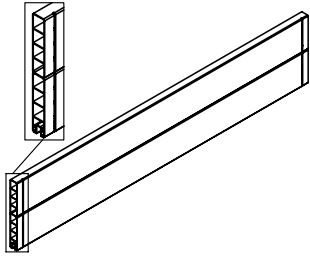
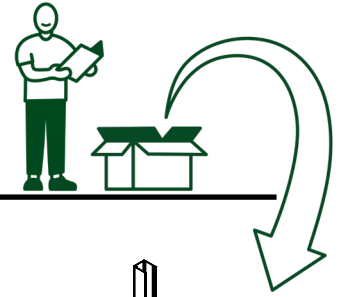
15 X4



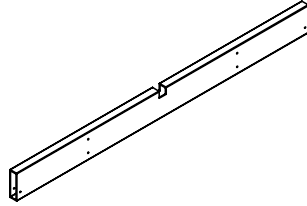
16 X4



PARTS LIST
LISTE DES PIÈCES
LISTADO DE PIEZAS



17 X4



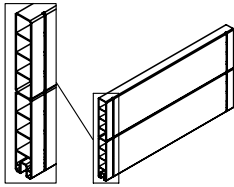
18 X4



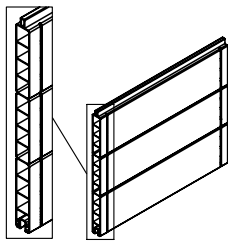
19 X2



20 X2



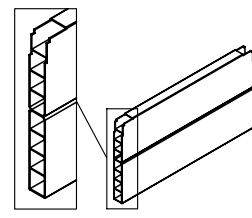
21 X2



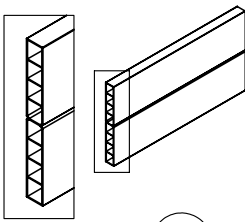
22 X2



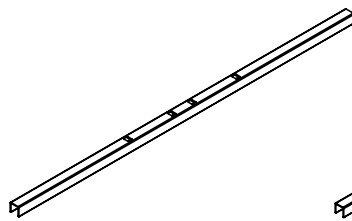
23 X4



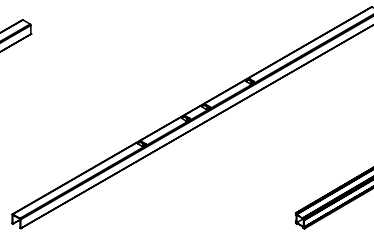
24 X4



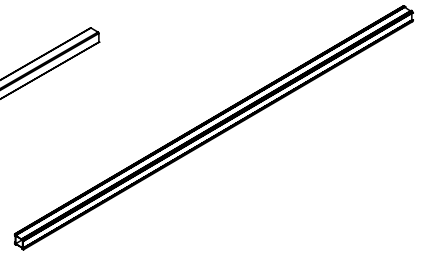
25 X6



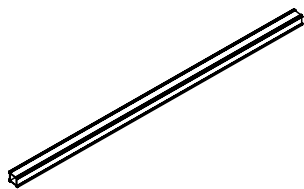
26 X2



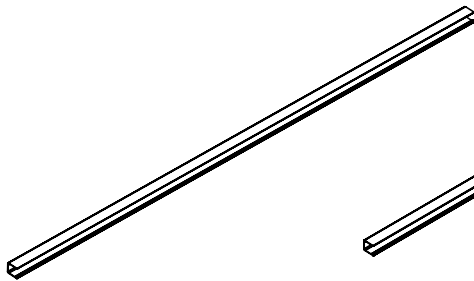
27 X2



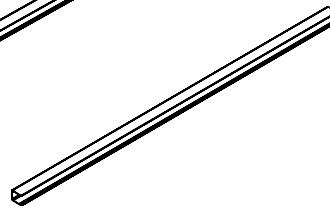
28 X2



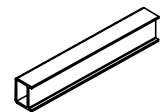
29 X2



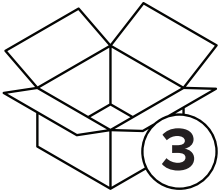
30 X4



31 X2

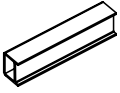
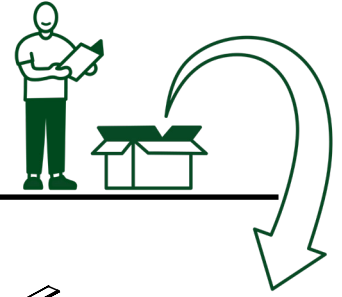


32 X4

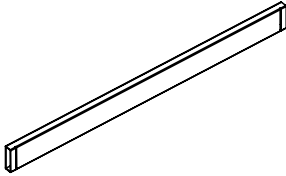


PARTS LIST

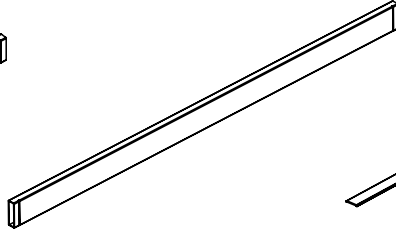
LISTE DES PIÈCES
LISTADO DE PIEZAS



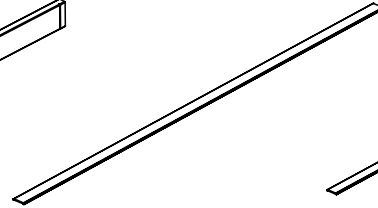
33 X34



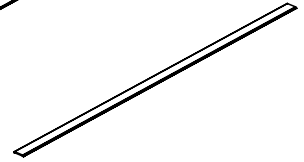
34 X14



35 X5



36 X2



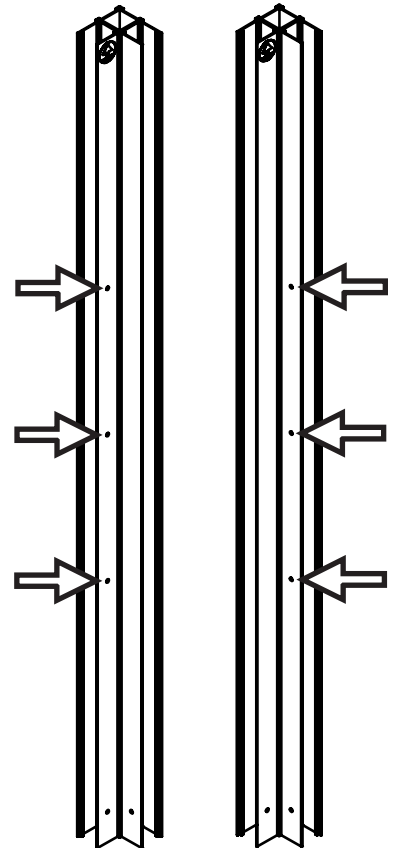
37 X2



3 SCREW HOLES SHOWN BELOW ALLOWS YOU TO POSITION YOUR FLOOR BRACE AT DIFFERENT DEPTHS. CHOOSE YOUR DEPTH ACCORDING TO WHAT YOU WILL BE PLANTING AND HOW MUCH SOIL IS NEEDED!

LES 3 TROUS DE VIS DÉMONTRÉS CI-BAS VOUS PERMETTENT DE POSITIONNER VOTRE SOLIVAGE DE PLANCHER À DES PROFONDEURS DIFFÉRENTES. CHOISISSEZ VOTRE PROFONDEUR EN ACCORDANCE AVEC CE QUE VOUS ALLEZ PLANTER ET LE MONTANT DE TERRE NÉCESSAIRE!

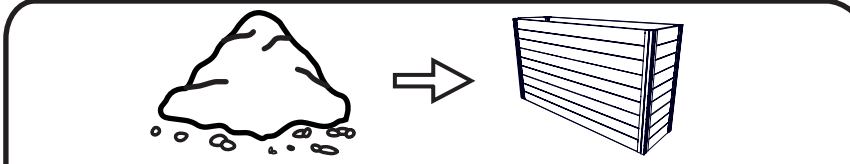
LOS 3 ORIFICIOS PARA TORNILLOS QUE SE MUESTRAN A CONTINUACIÓN LE PERMITEN COLOCAR SU REFUERZO PARA EL PISO A DIFERENTES PROFUNDIDADES. ¡ELIJA SU PROFUNDIDAD SEGÚN LO QUE SE PLANTARÁ Y CUÁNTO TIERRA SE NECESITA!



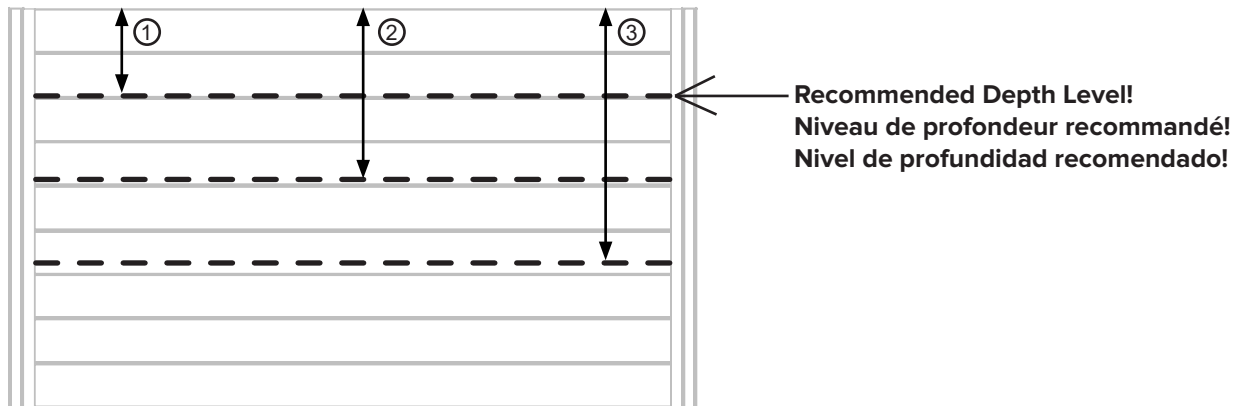
Large Parklette

Grand Planteur De Parklette

Grande Plantador De Parklette



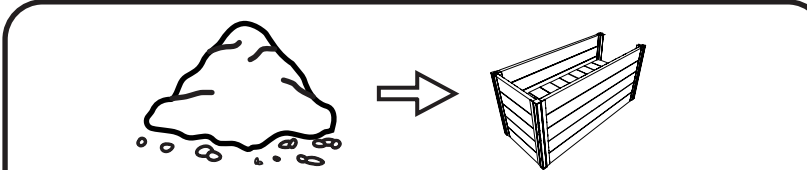
False Bottom	Depth	Amount of Soil
①	8 5/8" (22.1 cm)	4.0 cubic feet (113.0 liters)
②	14 5/8" (37.3 cm)	6.8 cubic feet (191.8 liters)
③	21 5/8" (52.5 cm)	10.0 cubic feet (283.7 liters)



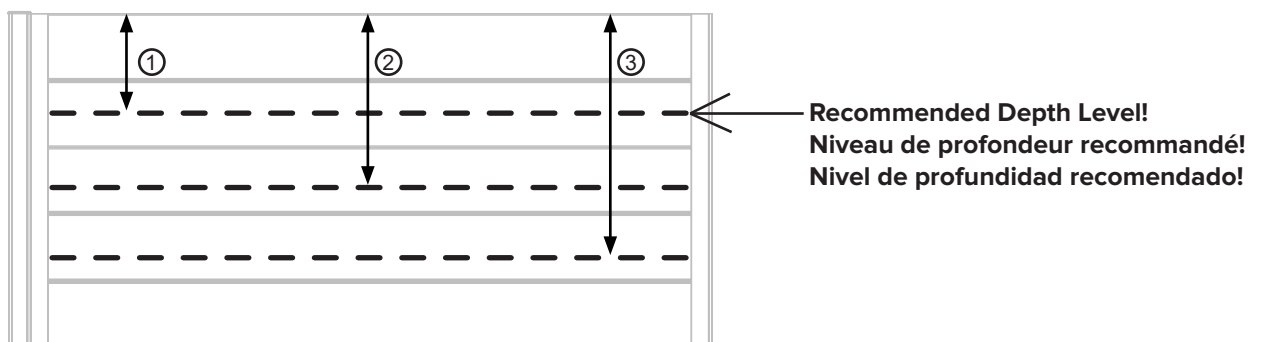
Small Parklette

jardinÈra mini parklette

plantador de mini parklette

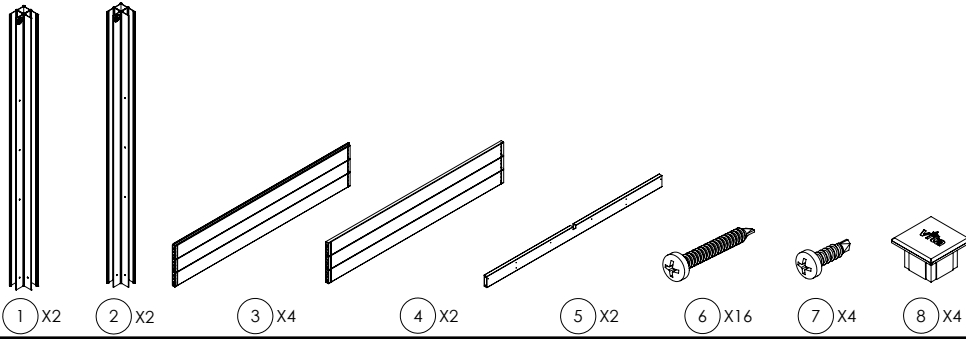


False Bottom	Depth	Amount of Soil
①	3 5/8" (9.1 cm)	1.1 cubic feet (30.6 liters)
②	7 5/8" (19.3cm)	2.3 cubic feet (64.7 liters)
③	11 5/8" (29.4cm)	3.5 cubic feet (98.7 liters)

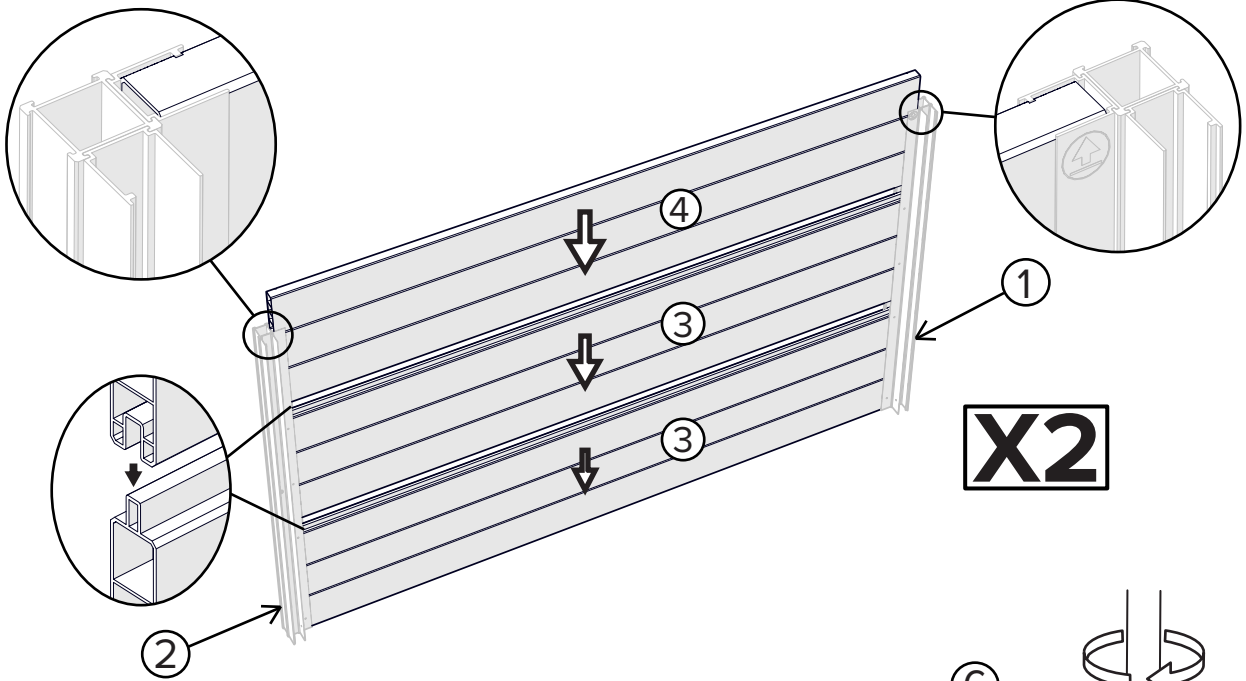


PREPARE THE LARGE PARKLETTE WALLS

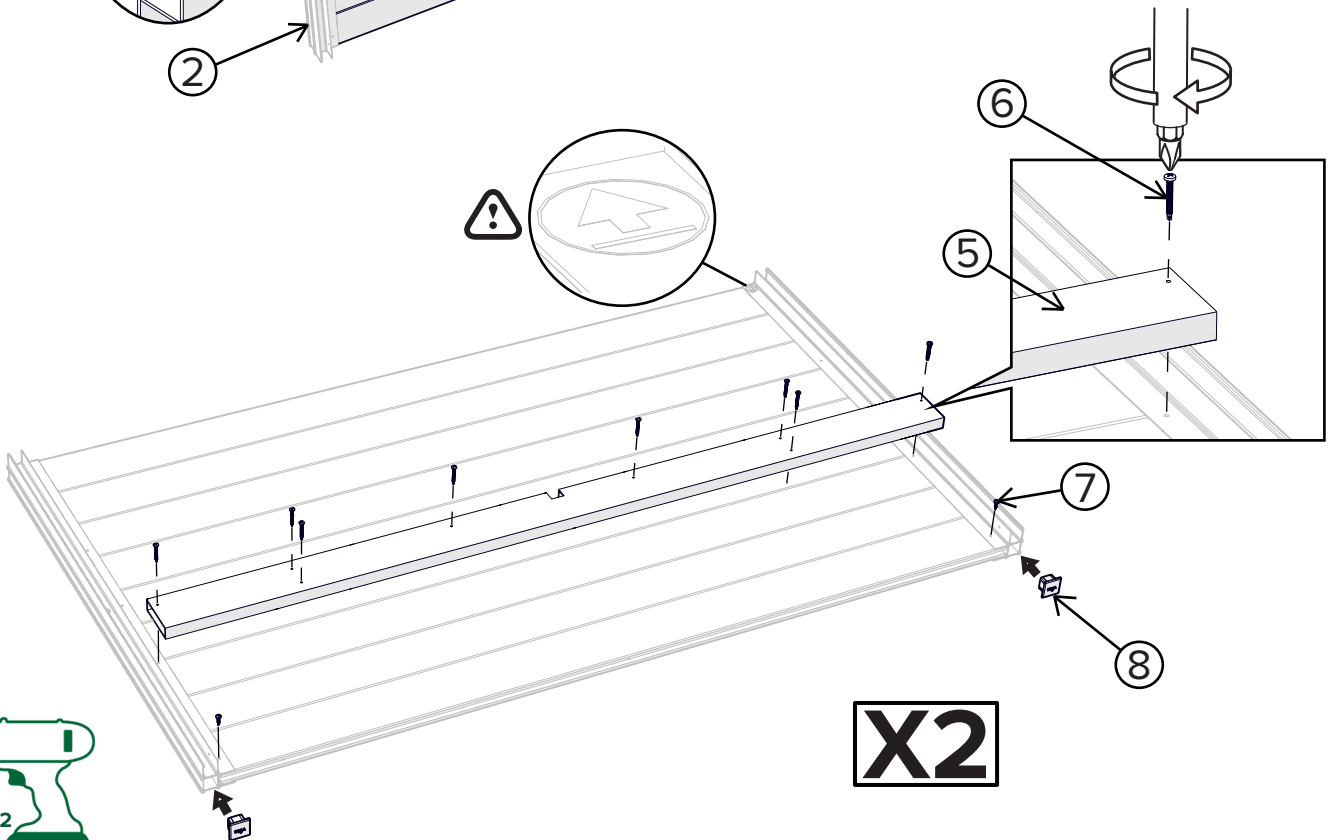
PRÉPARER LES GRANDS MURS PARKLETTE
PREPARAR LOS GRANDES PAREDES DE PARKLETTE



IA



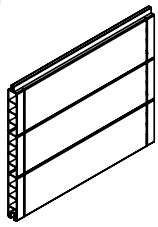
IB



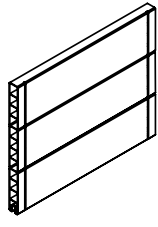
2

ASSEMBLE THE LARGE PARKLETTE WALLS

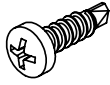
ASSEMBLER LES GRANDS MURS PARKLETTE
MONTAR LOS GRANDES PAREDES DE PARKLETTE



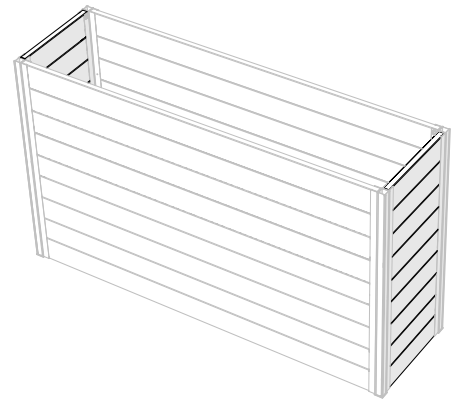
9 X4



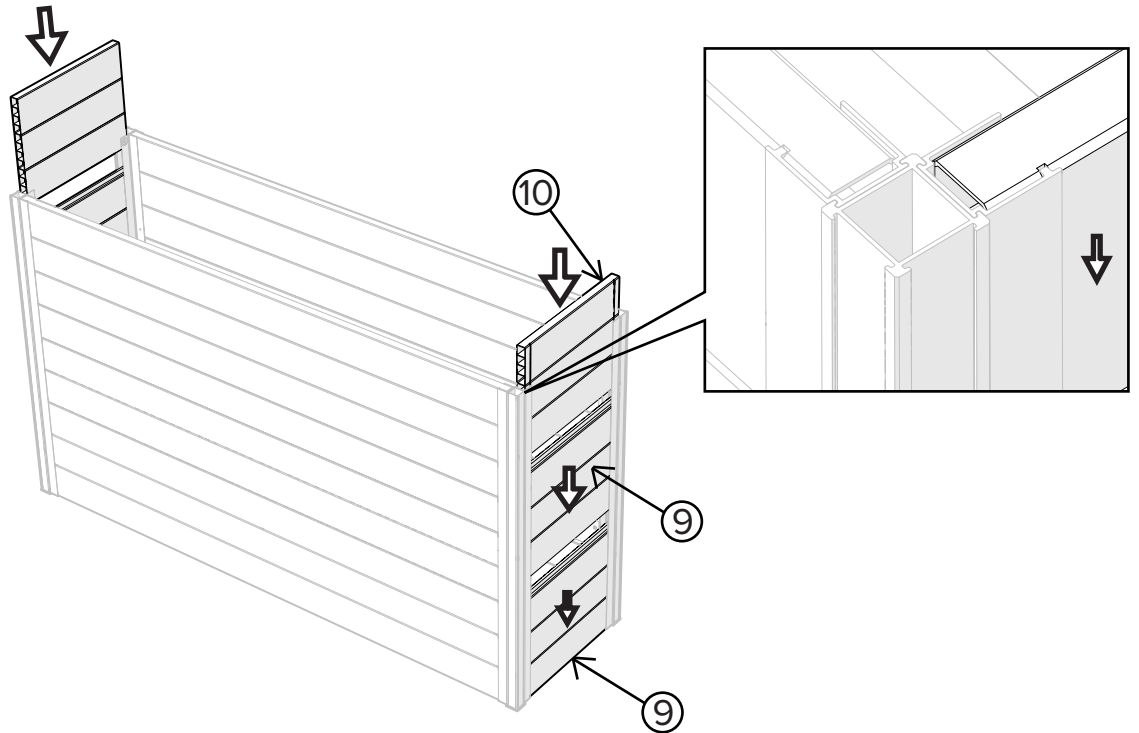
10 X2



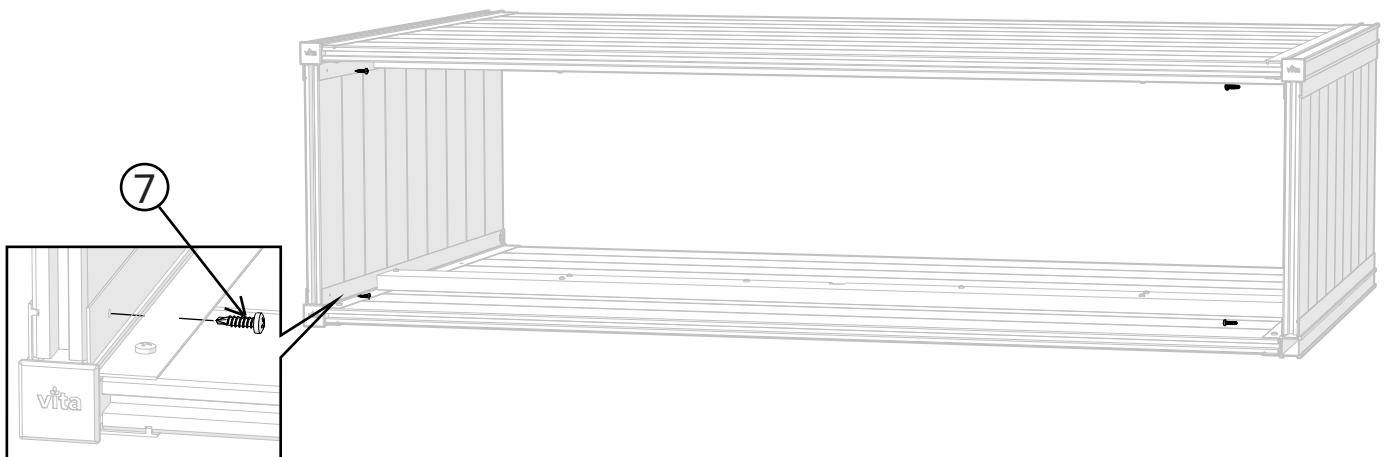
7 X4



2A



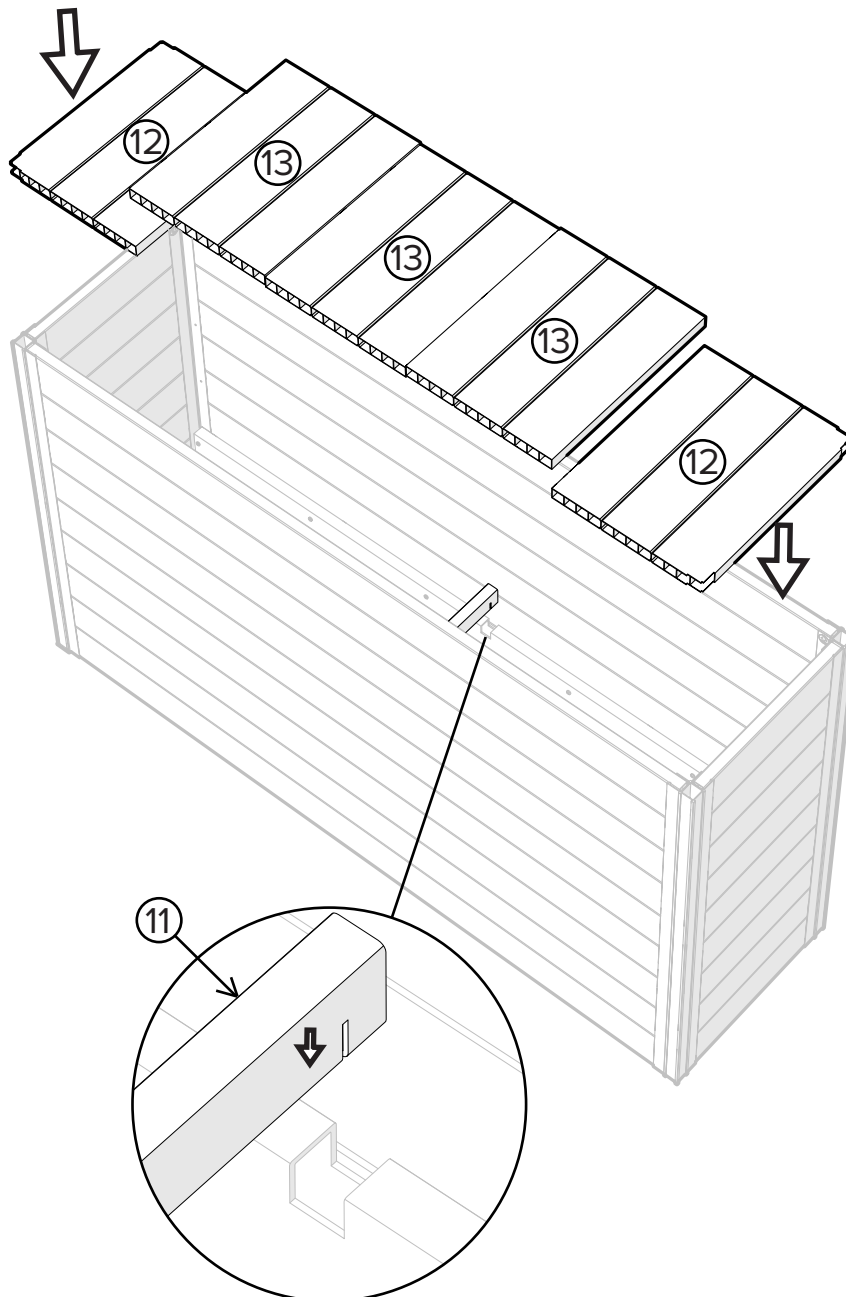
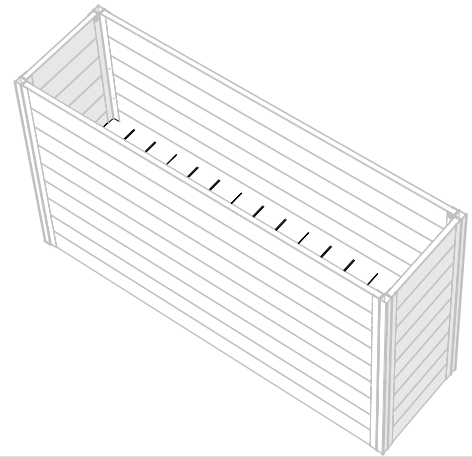
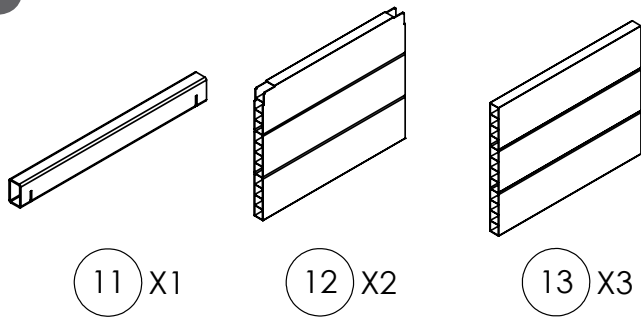
2B



3

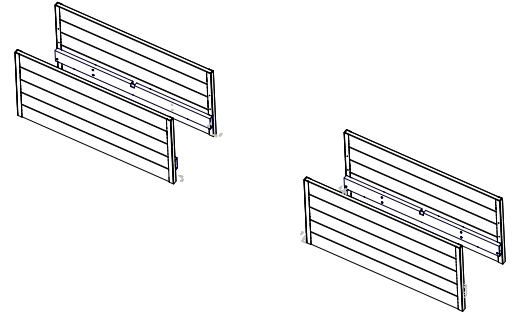
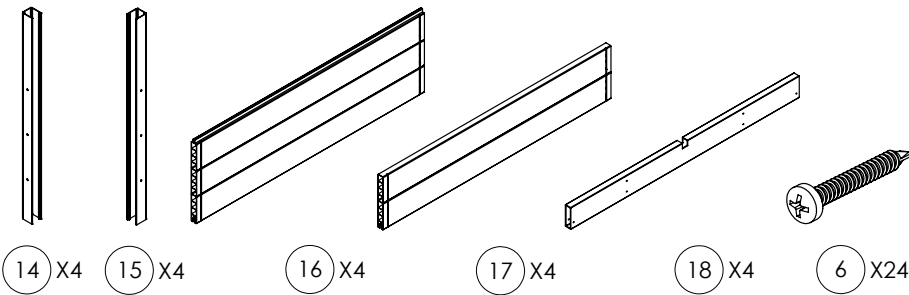
LAY DOWN THE FLOORBOARDS

POSEZ LES PANNEAUX DE PLANCHER
COLOCAR LOS PANELES DEL PISO

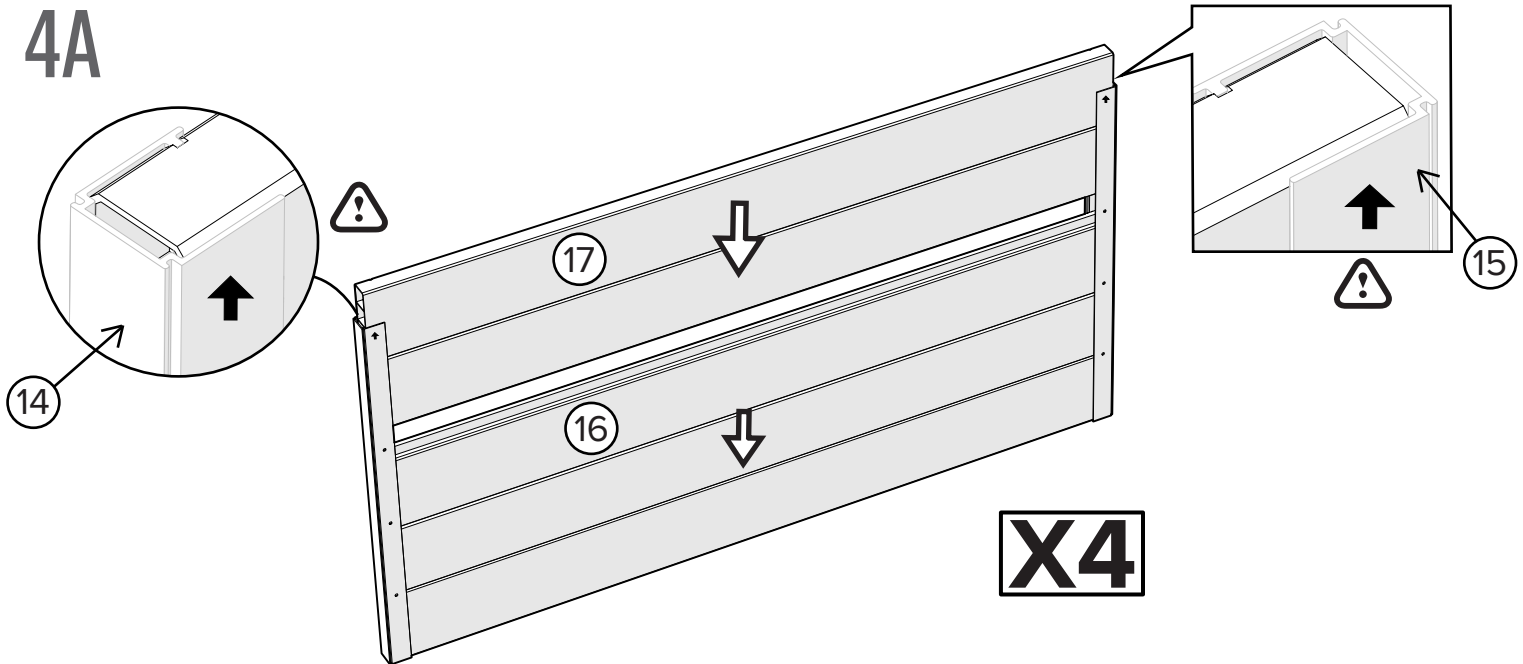


4 PREPARE THE SMALL PARKLETTE WALLS

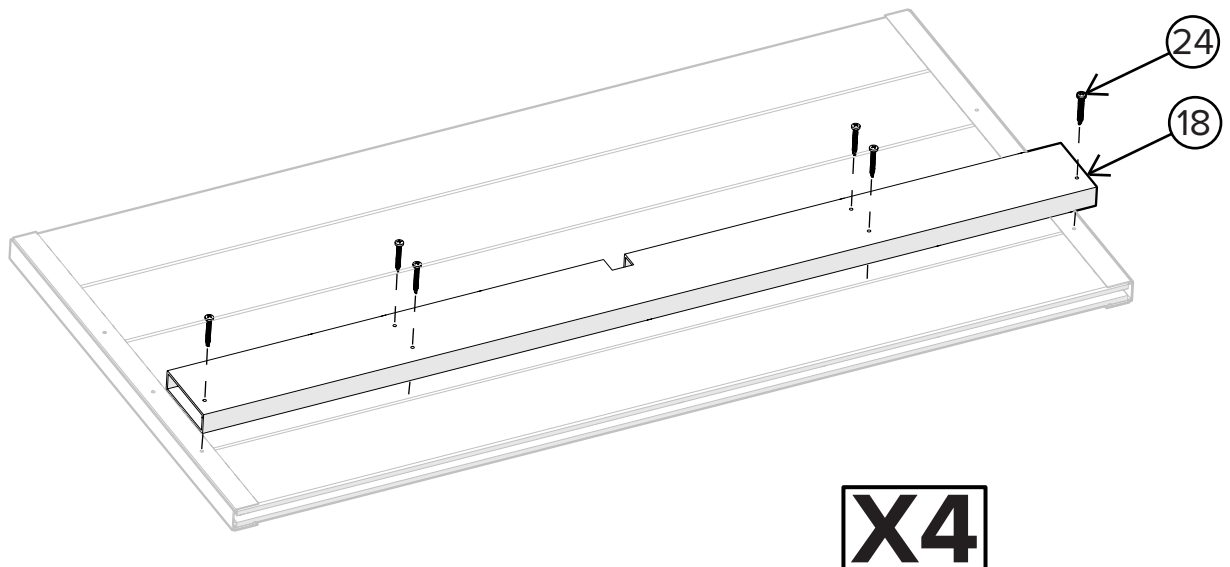
PRÉPARER LES PETITS MURS PARKLETTE
PREPARAR LOS PEQUEÑOS PAREDES DE PARKLETTE



4A



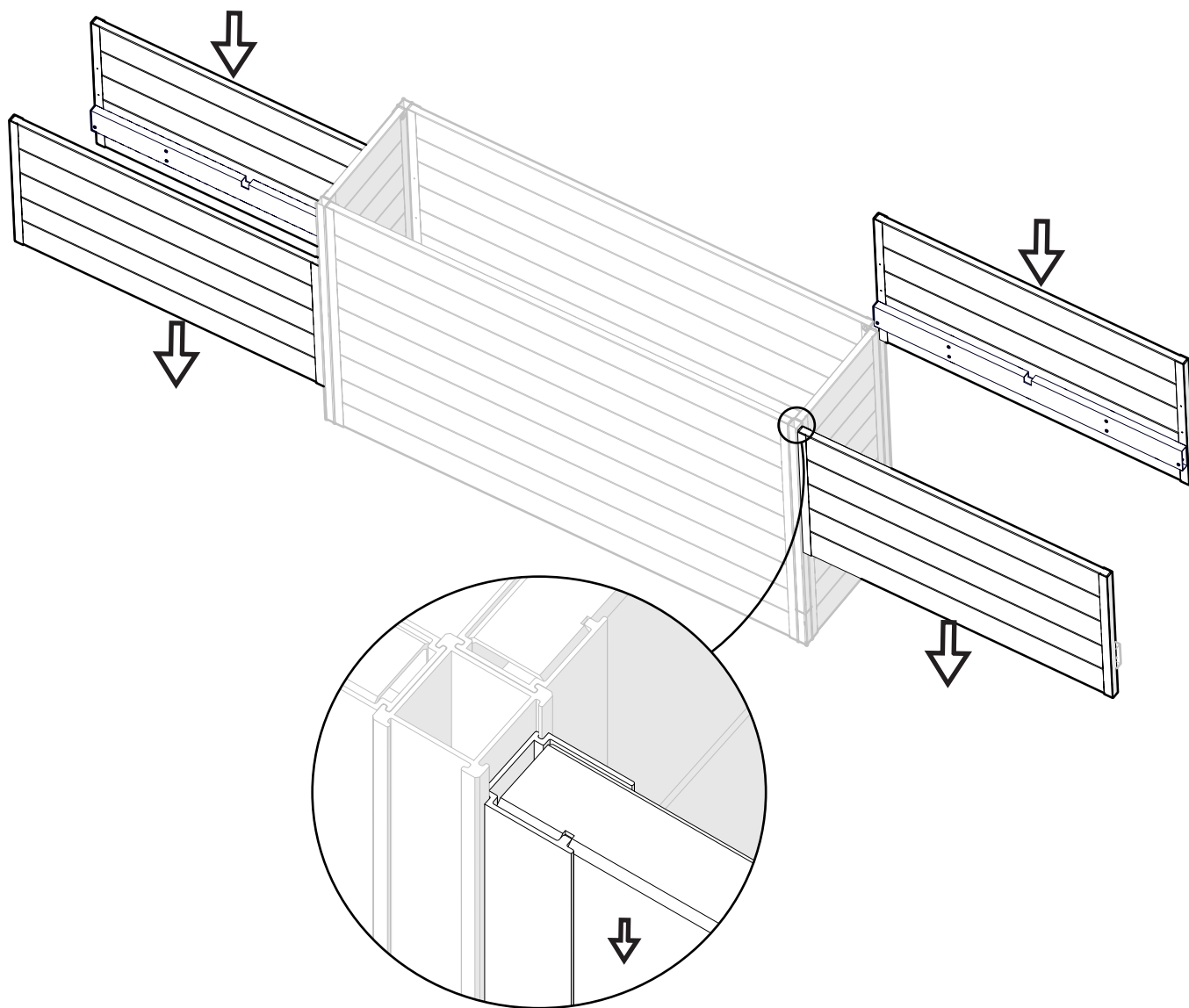
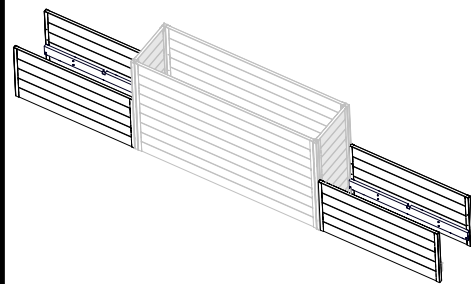
4B



5

ASSEMBLE THE SMALL PARKLETTE WALLS

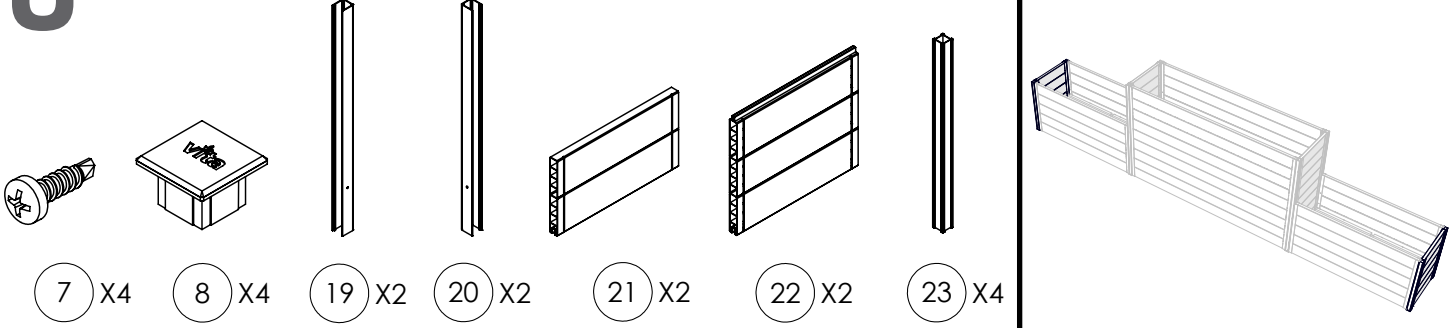
ASSEMBLER LES PETITS MURS PARKLETTE
MONTAR LOS PEQUEÑOS PAREDES DE PARKLETTE



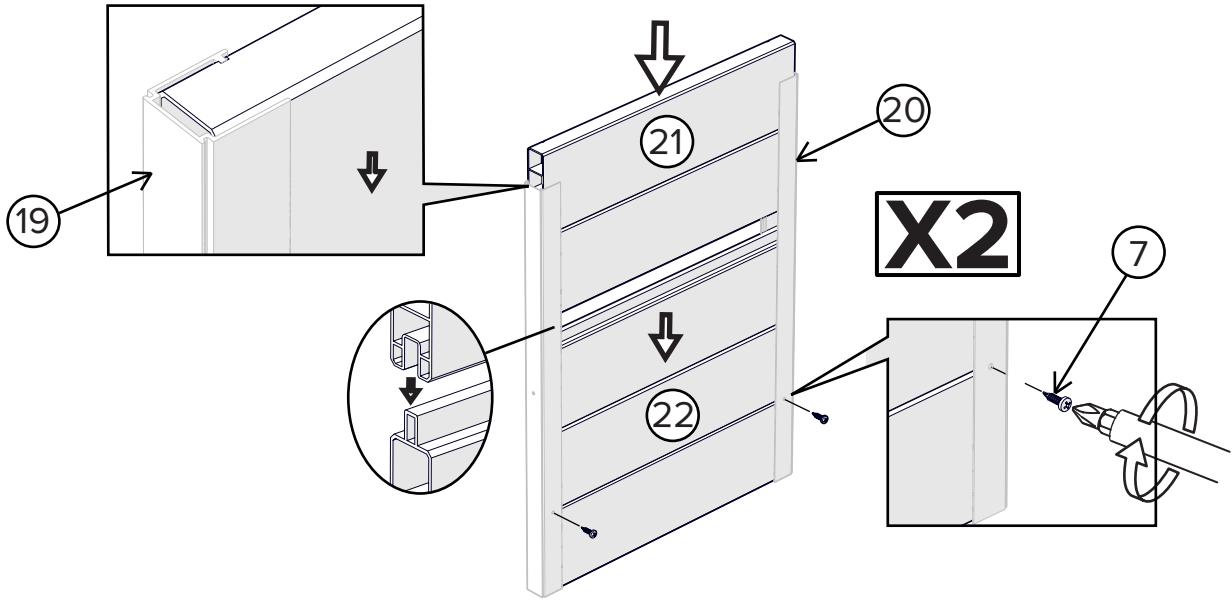
6

ASSEMBLE THE SMALL PARKLETTE WALLS

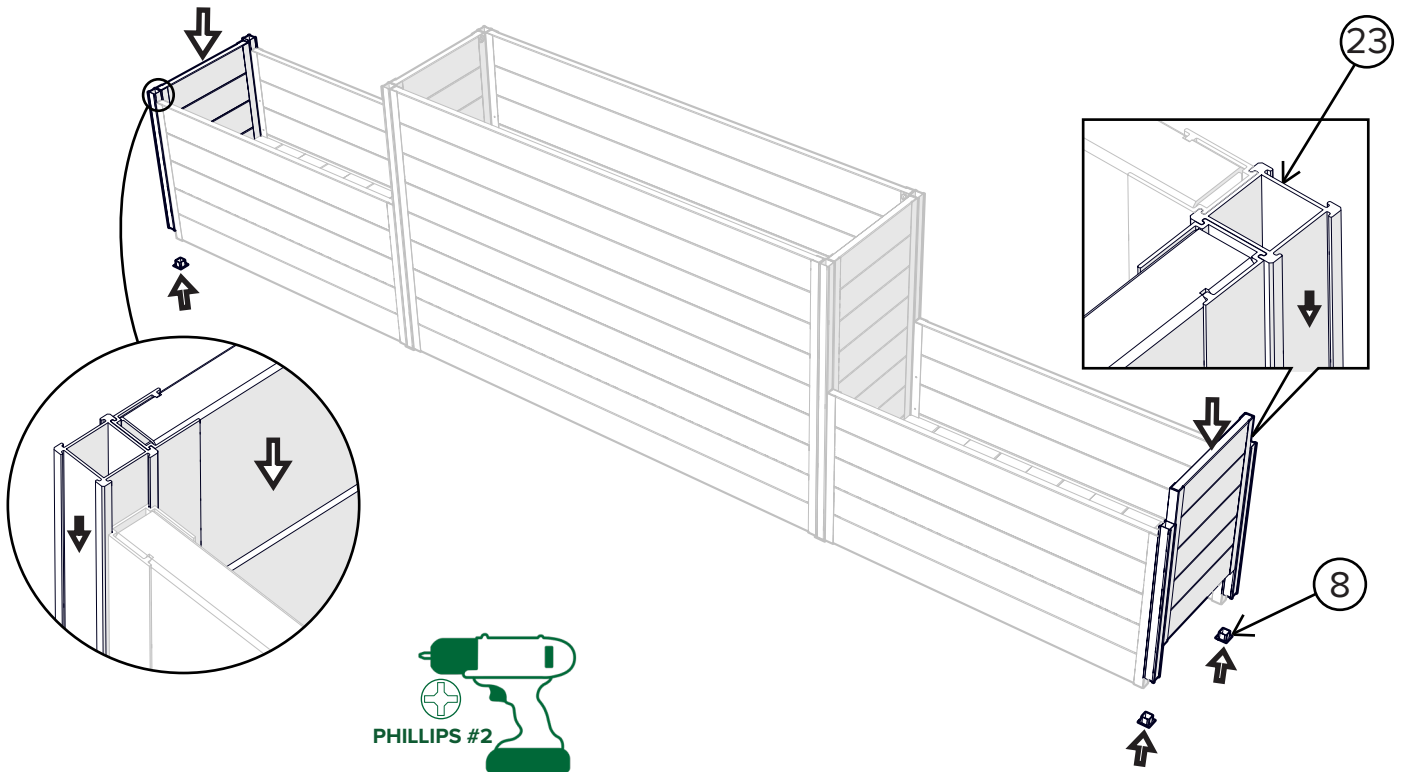
ASSEMBLER LES PETITS MURS PARKLETTE
MONTAR LOS PEQUEÑOS PAREDES DE PARKLETTE



6A

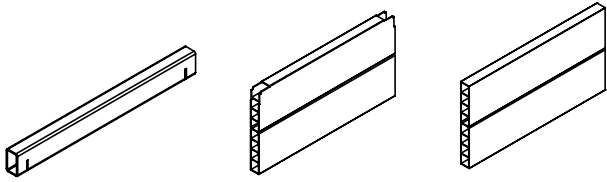


6B



7 LAY DOWN THE FLOORBOARDS

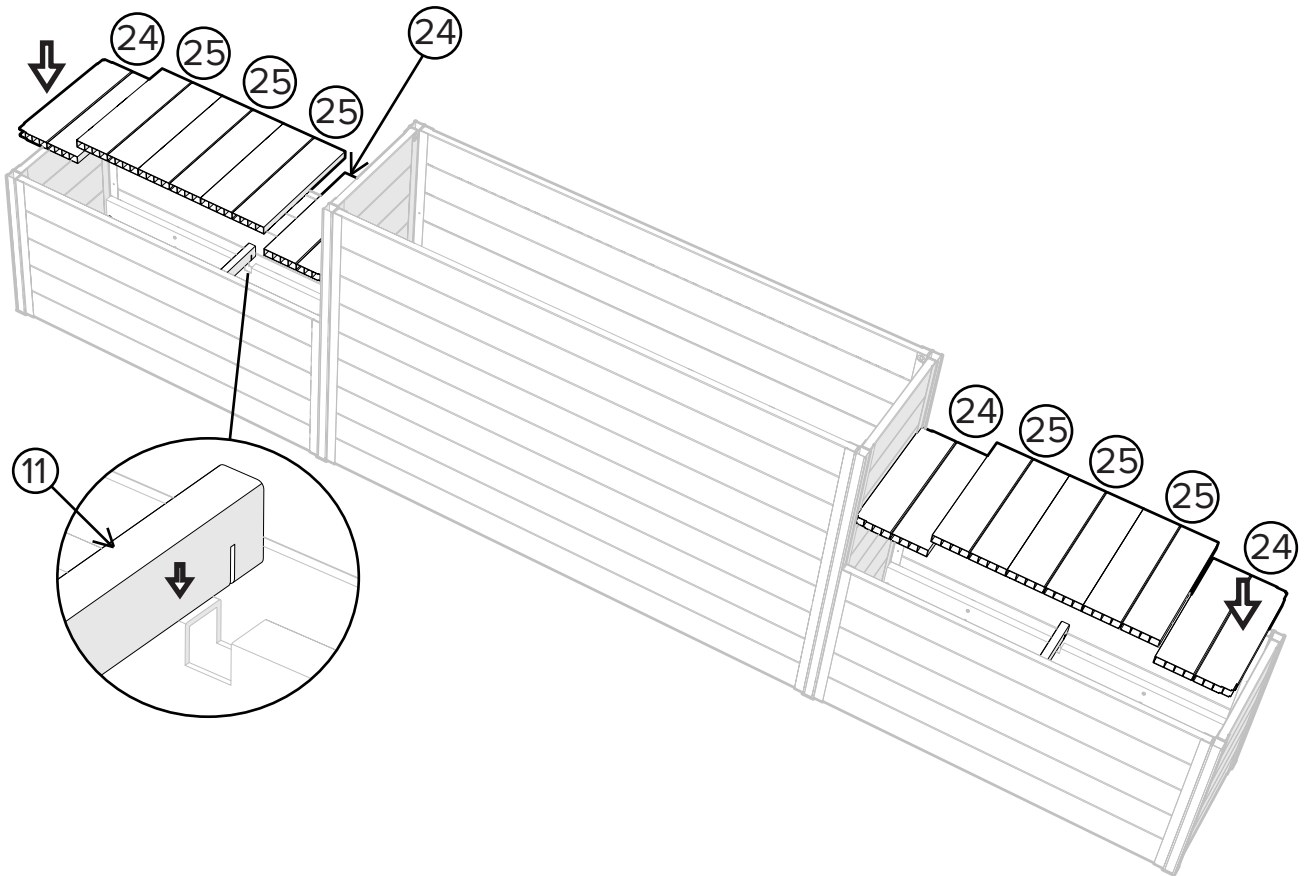
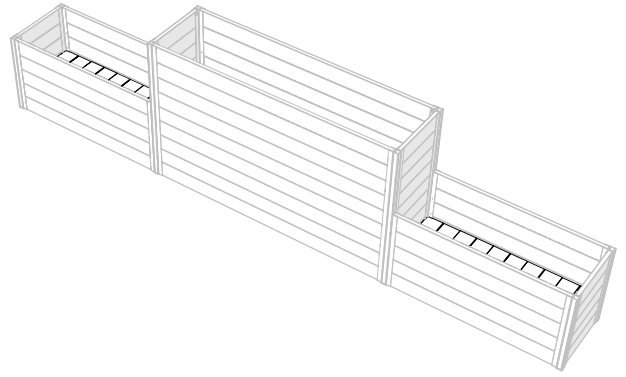
POSEZ LES PANNEAUX DE PLANCHER
COLOCAR LOS PANELES DEL PISO



11 X2

24 X4

25 X6

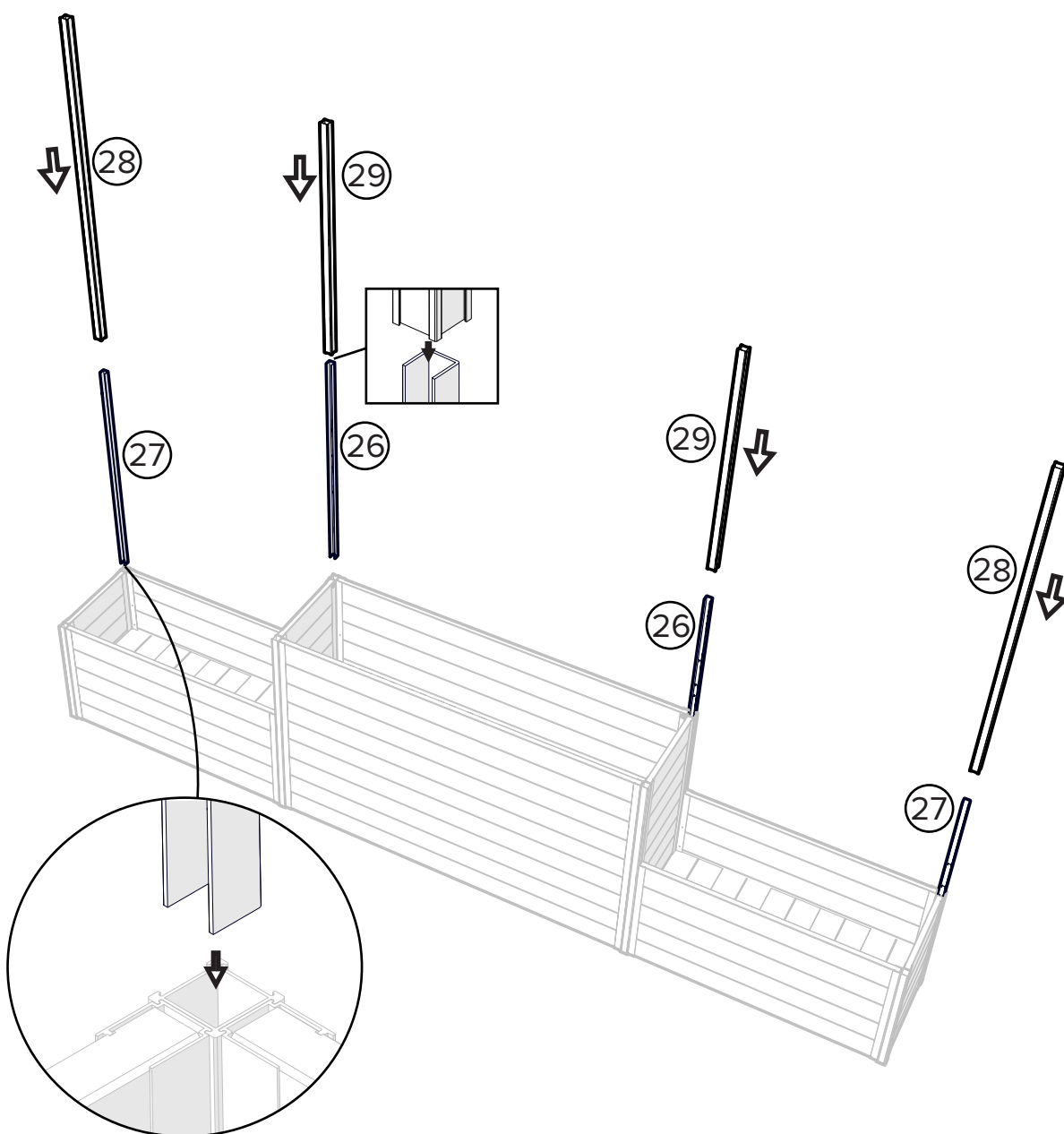
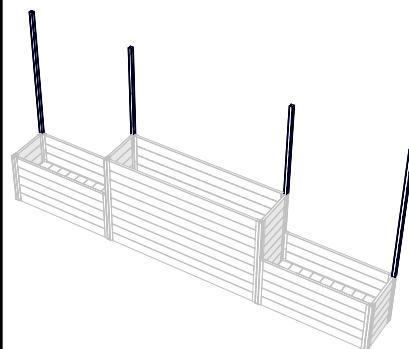
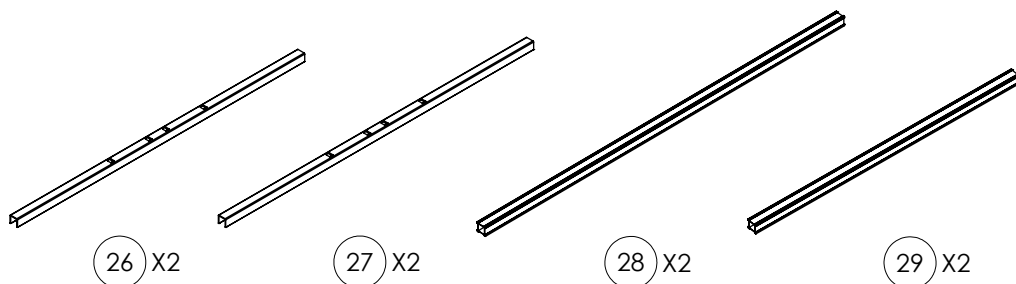


8

INSTALL THE POST INSERTS AND THE POSTS

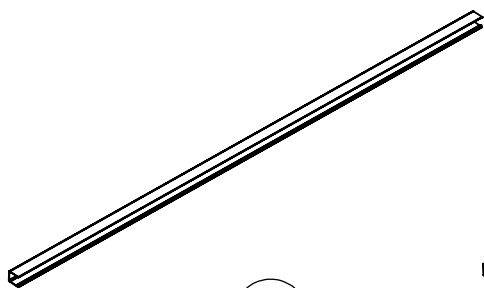
INSTALLER LES INSERTS DE POTEAUX ET LES POTEAUX

INSTALE INSERTOS PARA POSTES Y LOS POSTES

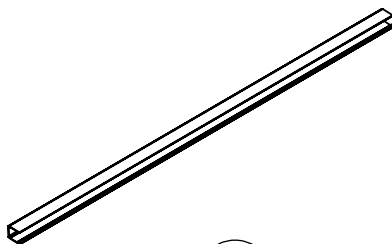


9 INSTALL THE C-CHANNELS FOR TRELLIS

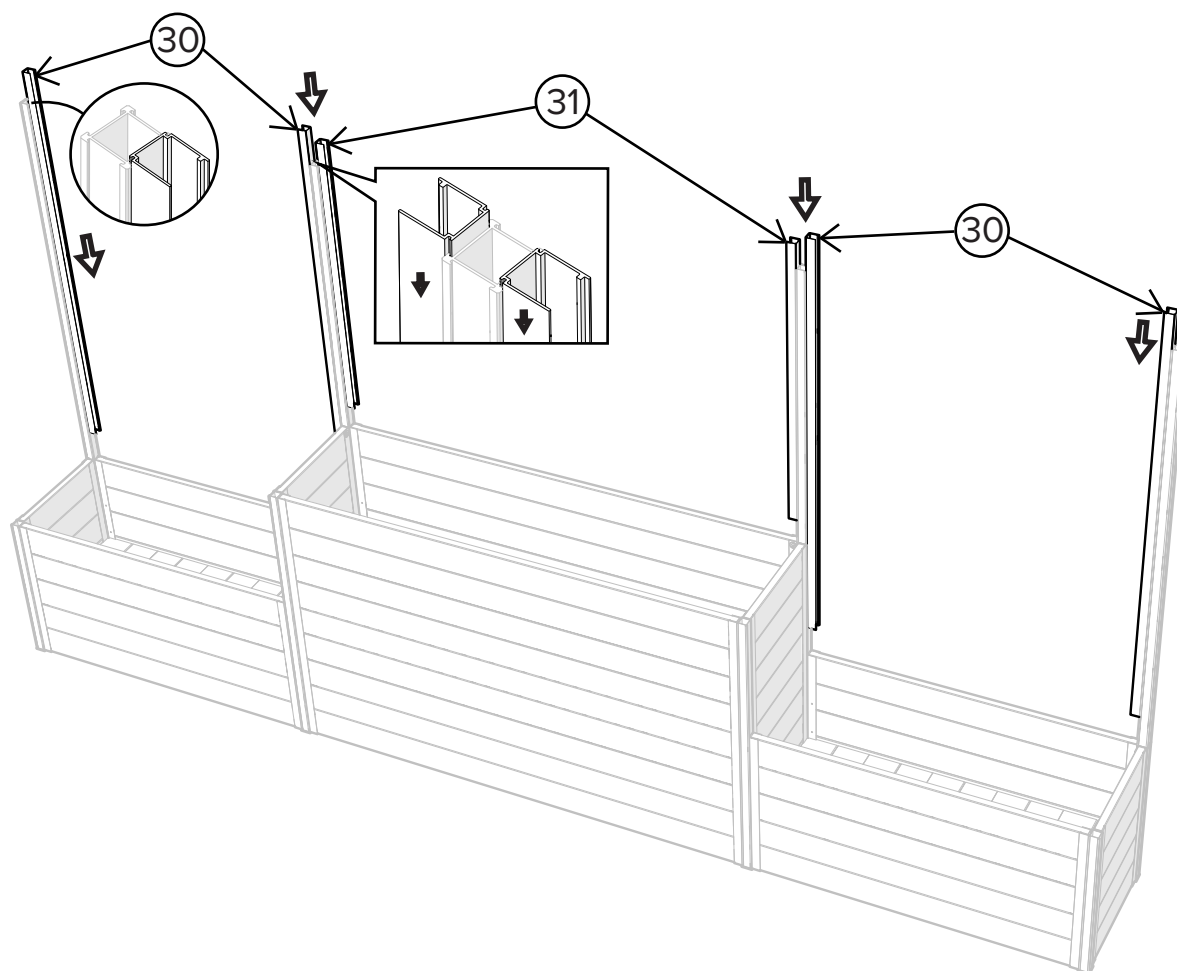
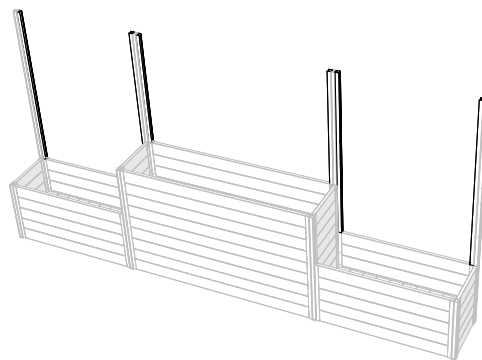
INSTALLER LES CANAUX-C POUR LE TRELLIS
INSTALAR LOS CANALES-C PARA EL ENREJADO



30 X4



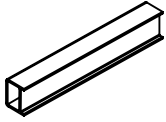
31 X2



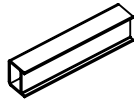
10

SLIDE DOWN THE U-SPACERS

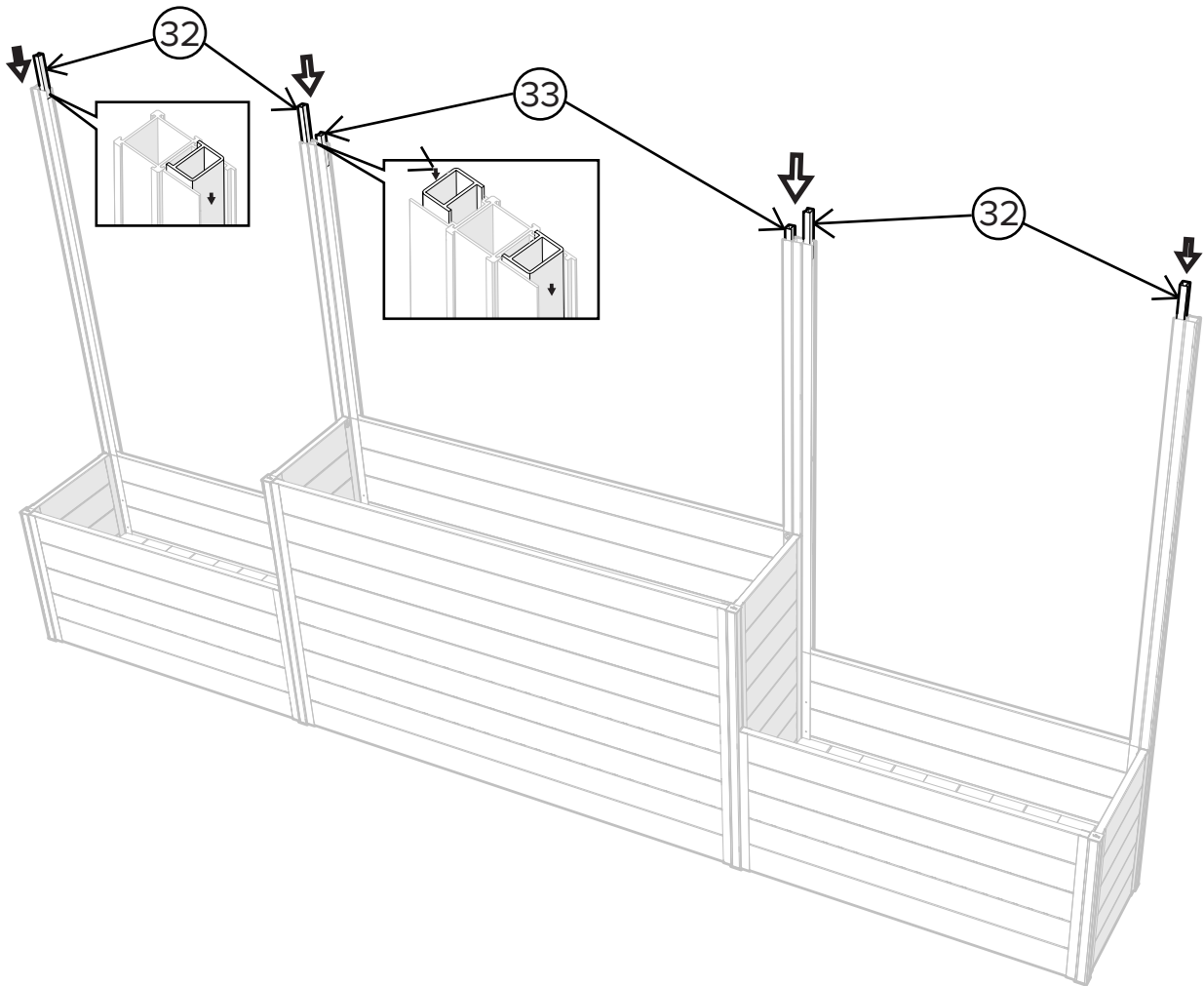
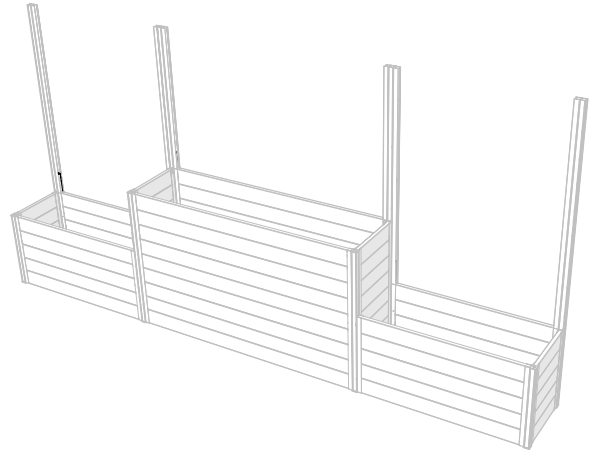
GLISSEZ LES ENTRETOISEUSES EN U
DESGLIZAR HACIA ABAJO LOS ESPACIADORES EN U



32 X4



33 X2

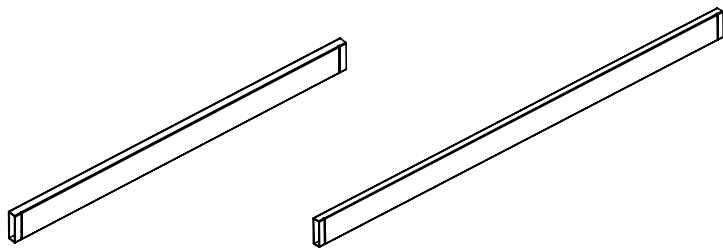




SLIDE DOWN THE SLATS

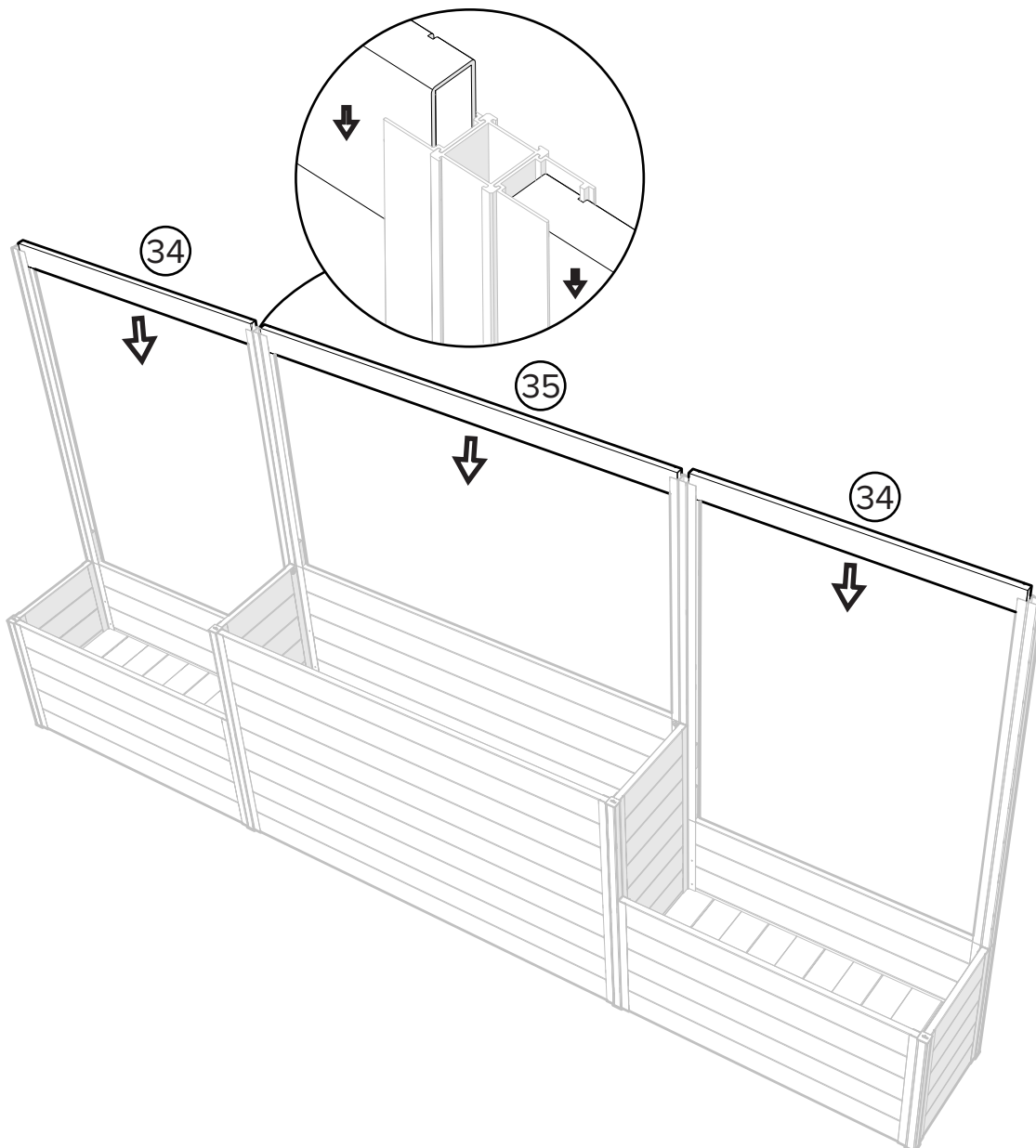
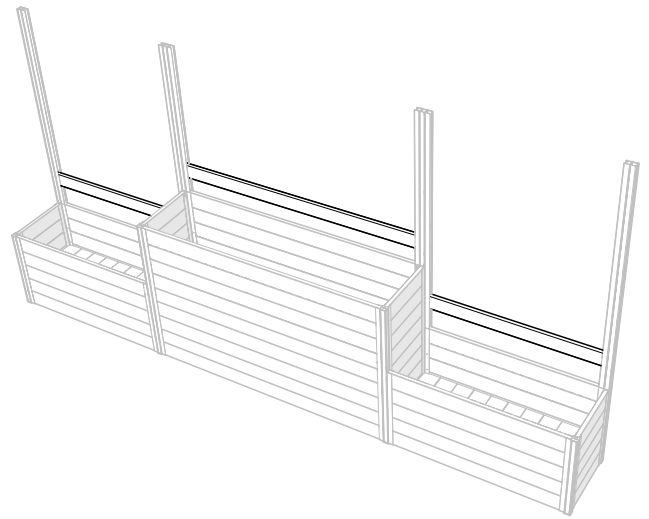
GLISSEZ LES LAMES

DESLIZAR HACIA ABAJO LAS LAMAS



34 X2

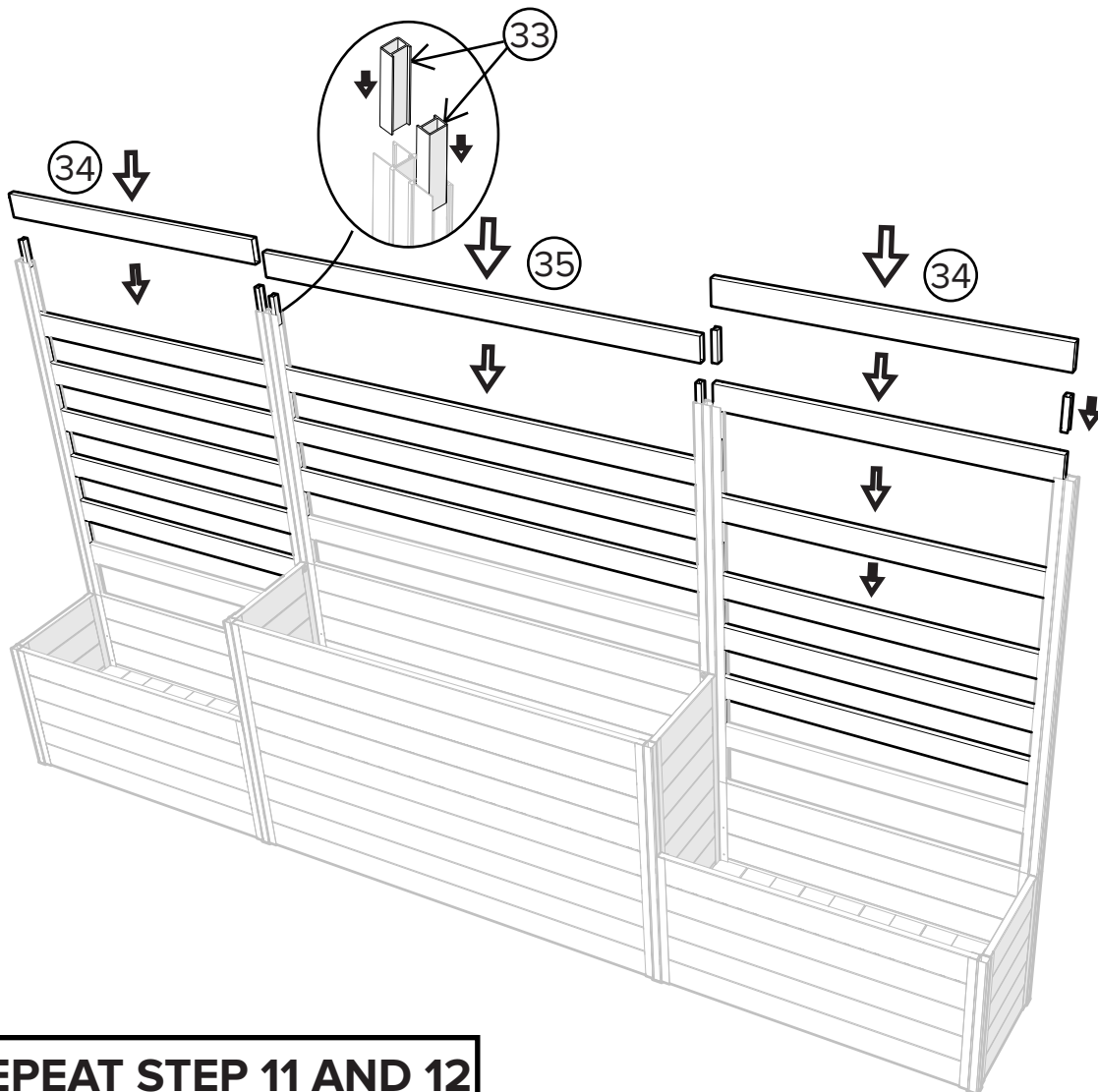
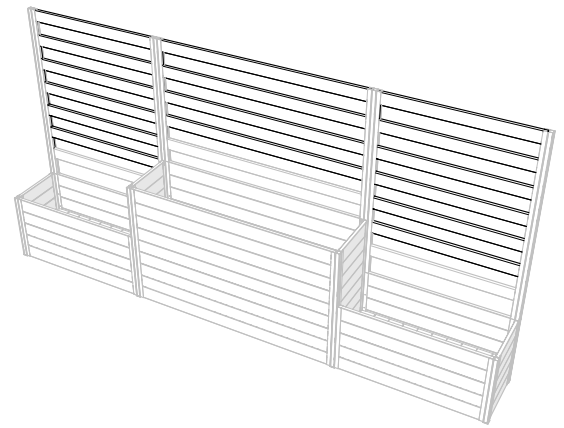
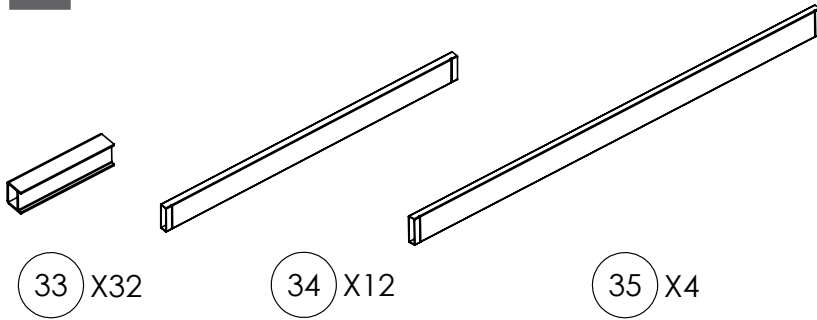
35 X1



12

SLIDE DOWN THE U-SPACERS

GLISSEZ LES ENTRETOISEUSES EN U
DESLIZAR HACIA ABAJO LOS ESPACIADORES EN U



REPEAT STEP 11 AND 12

RÉPÉTEZ LES ÉTAPES 11 ET 12
REPETIR LOS PASOS 11 Y 12

13

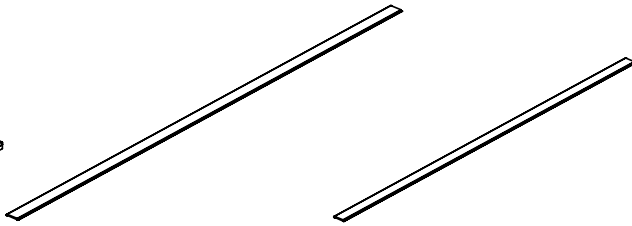
INSTALL THE POST FILLERS AND POST CAPS

INSTALLER LES REMPLISSEURS DE POTEAU ET LES CAPUCHONS DE POTEAU

INSTALE LOS RELLENOS DE POSTE Y LAS TAPAS DE POSTE



8 X8



36 X2

37 X2

