



**ASSEMBLY GUIDE
GUIDE DE MONTAGE
GUÍA DE MONTAJE**

URBANA

SMALL PARKLETTE PLANTER

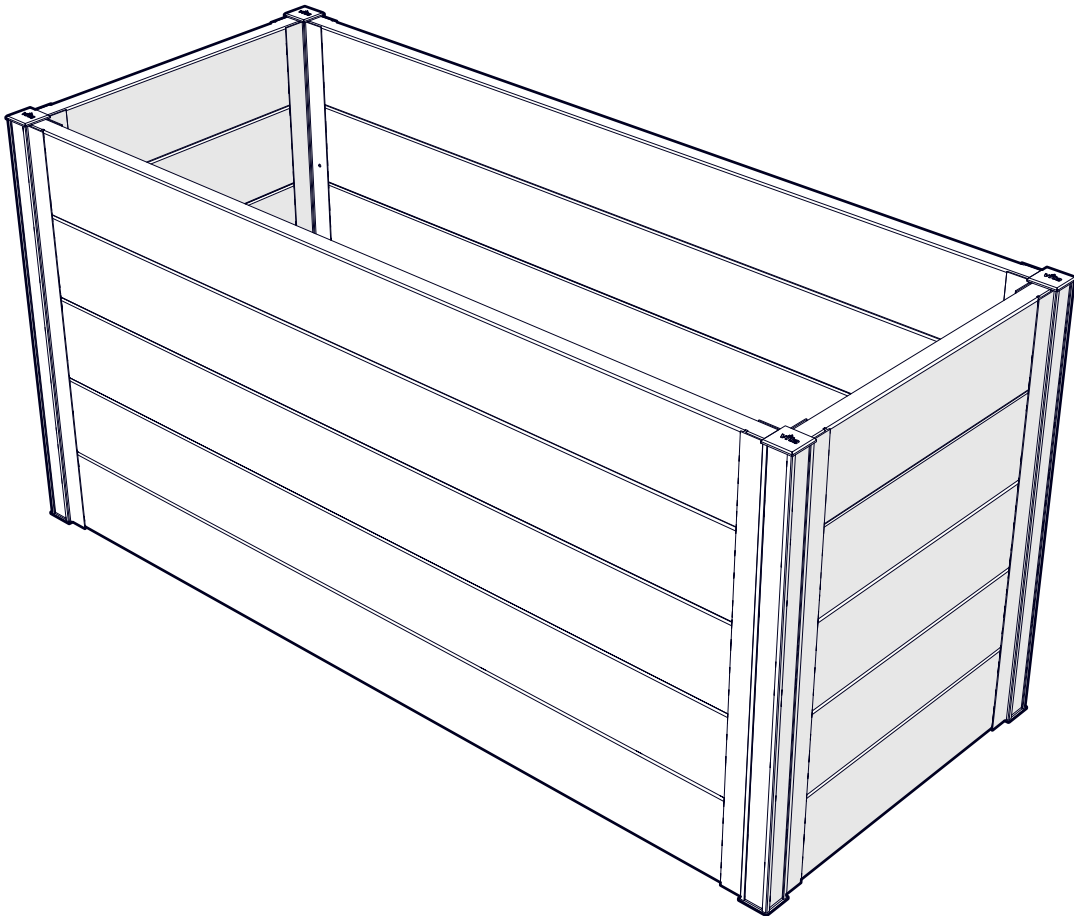
PETITE JARDINIÈRE PARKLETTE

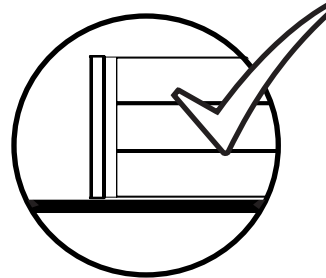
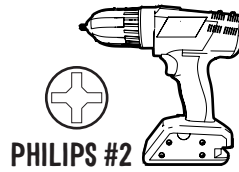
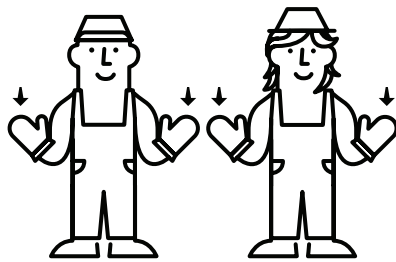
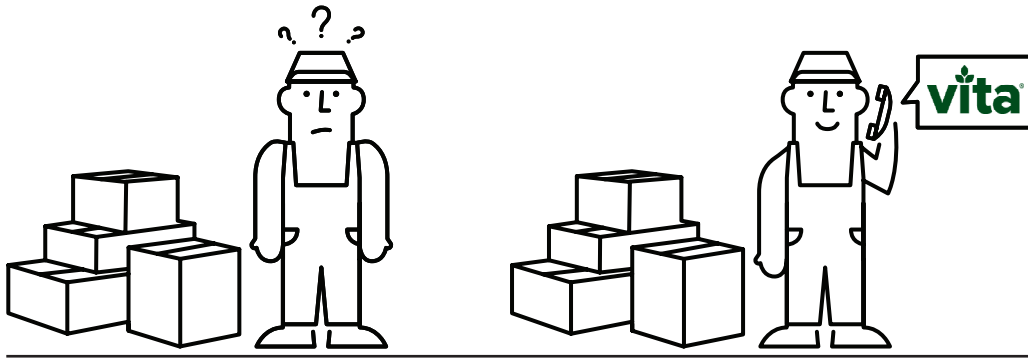
PEQUEÑA PLANTADORA DE PARKLETTE

VT17512 / VT17612

ESPRESSO
EXPRESSO
ESPRESSO

SLATE
ARDOISE
PIZARRA





 1-800-282-9346



HELLO@VITAGARDENS.COM



WWW.WEAREVITA.COM



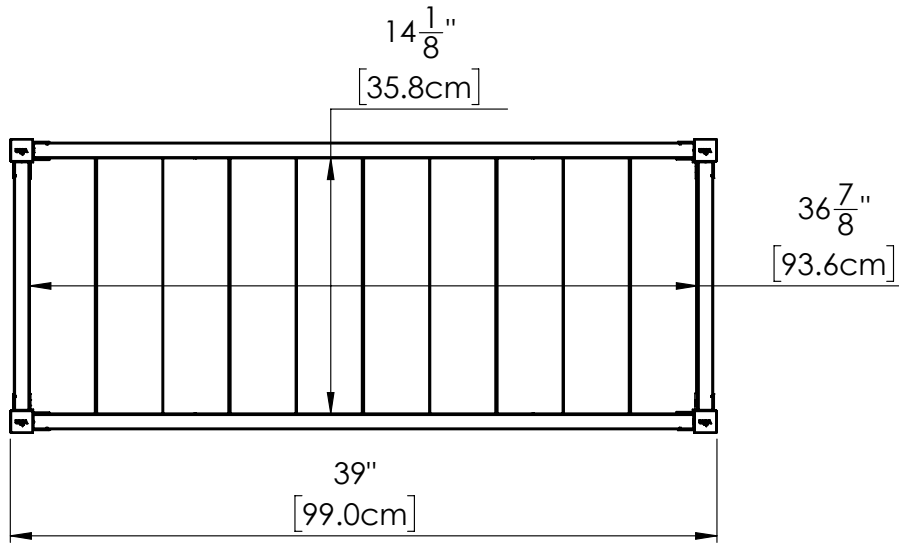
MONDAY - FRIDAY
8: 00 AM - 5: 00 PM EST



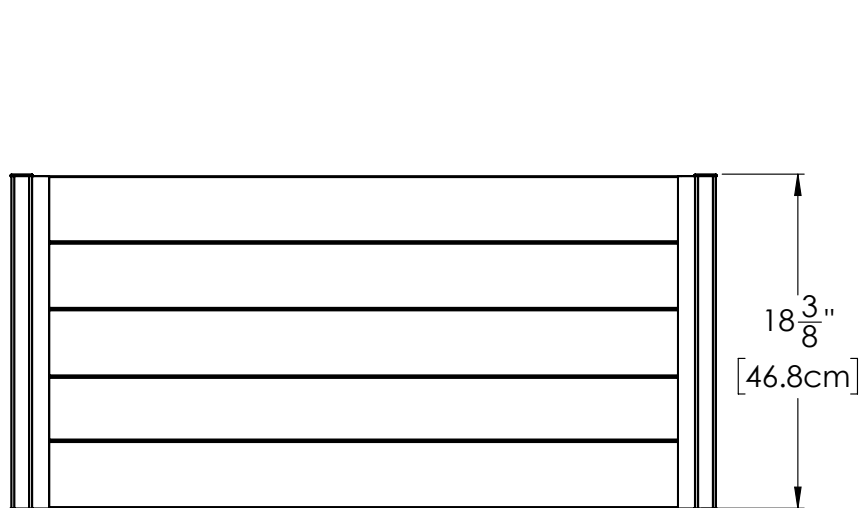
PRODUCT DIMENSIONS

DIMENSIONS DU PRODUIT

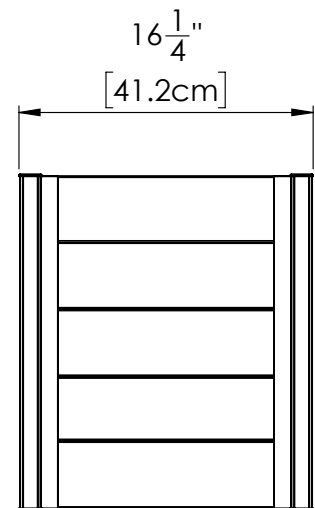
DIMENSIONES DEL PRODUCTO



TOP VIEW



FRONT VIEW



SIDE VIEW

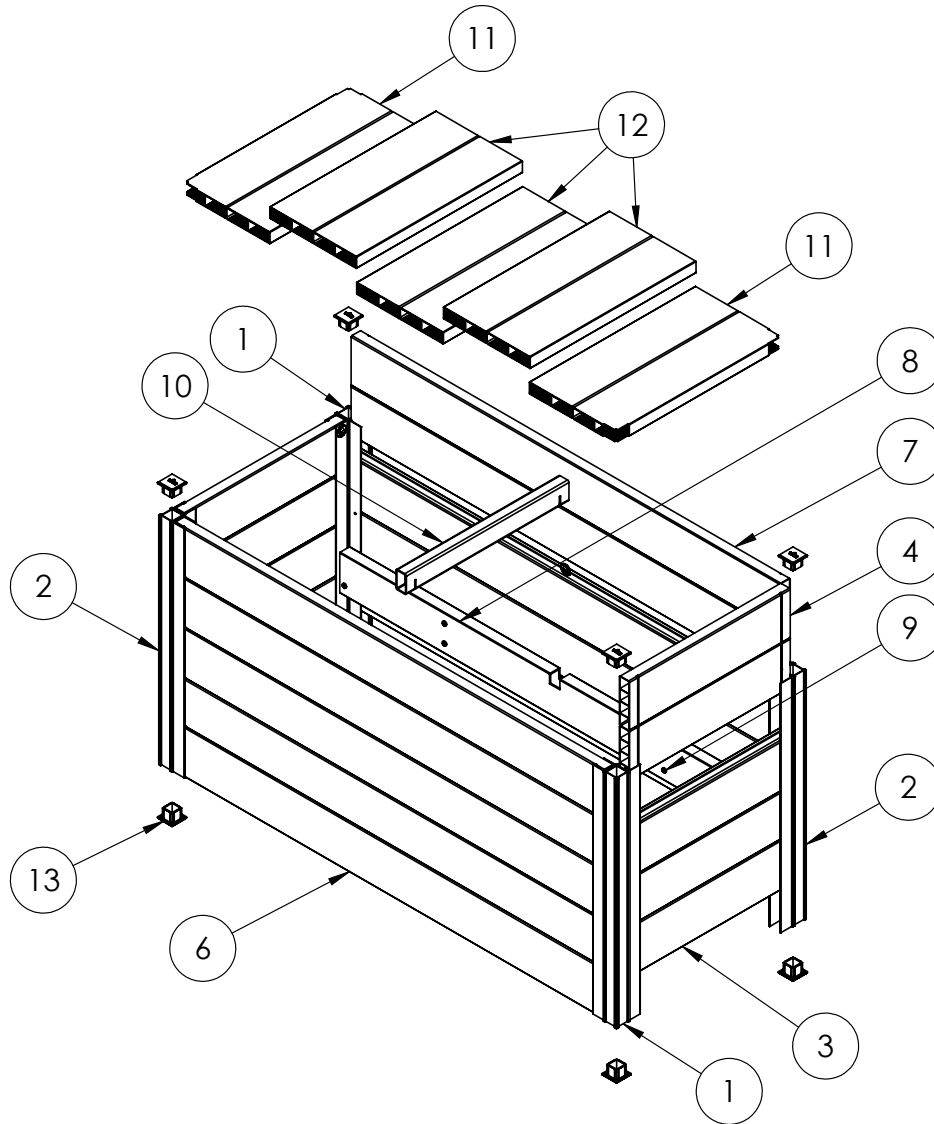
PARTS LIST

LISTE DES PIÈCES

LISTADO DE PIEZAS

VT17512

ESPRESSO
ESPRESSO
ESPRESSO



ITEM NO.	Part Number	Description	Dimension	QTY.
1	16019	Post Assembly	18 1/4" (46.4 CM)	2
2	16043	Post Assembly	18 1/4" (46.4 CM)	2
3	16326	Short Lower Wallboard	13 5/8" X 11 1/2" (34.6 CM X 29.2 CM)	2
4	16328	Short Upper Wallboard	13 5/8" X 7 3/8" (34.6 CM X 18.6 CM)	2
5	20066	Round Head Screw	5/8" (1.6 CM)	4
6	16330	Long Lower Wallboard	36 3/8" X 11 1/2" (92.4 CM X 29.2 CM)	2
7	16332	Long Upper Wallboard	36 3/8" X 7 3/8" (92.4 CM X 18.6 CM)	2
8	15026	Floorboard Support Brace	36.37" (92.4 CM)	2
9	20080	Round Head Screw	1 1/4" (3.2 CM)	12
10	15028	Cross Brace	13.80" (35.0 CM)	1
11	15024	End Floorboard	14" (35.6 CM)	2
12	15025	Mid Floorboard	14" (35.6 CM)	3
13	16325	Post Cap VITA		8

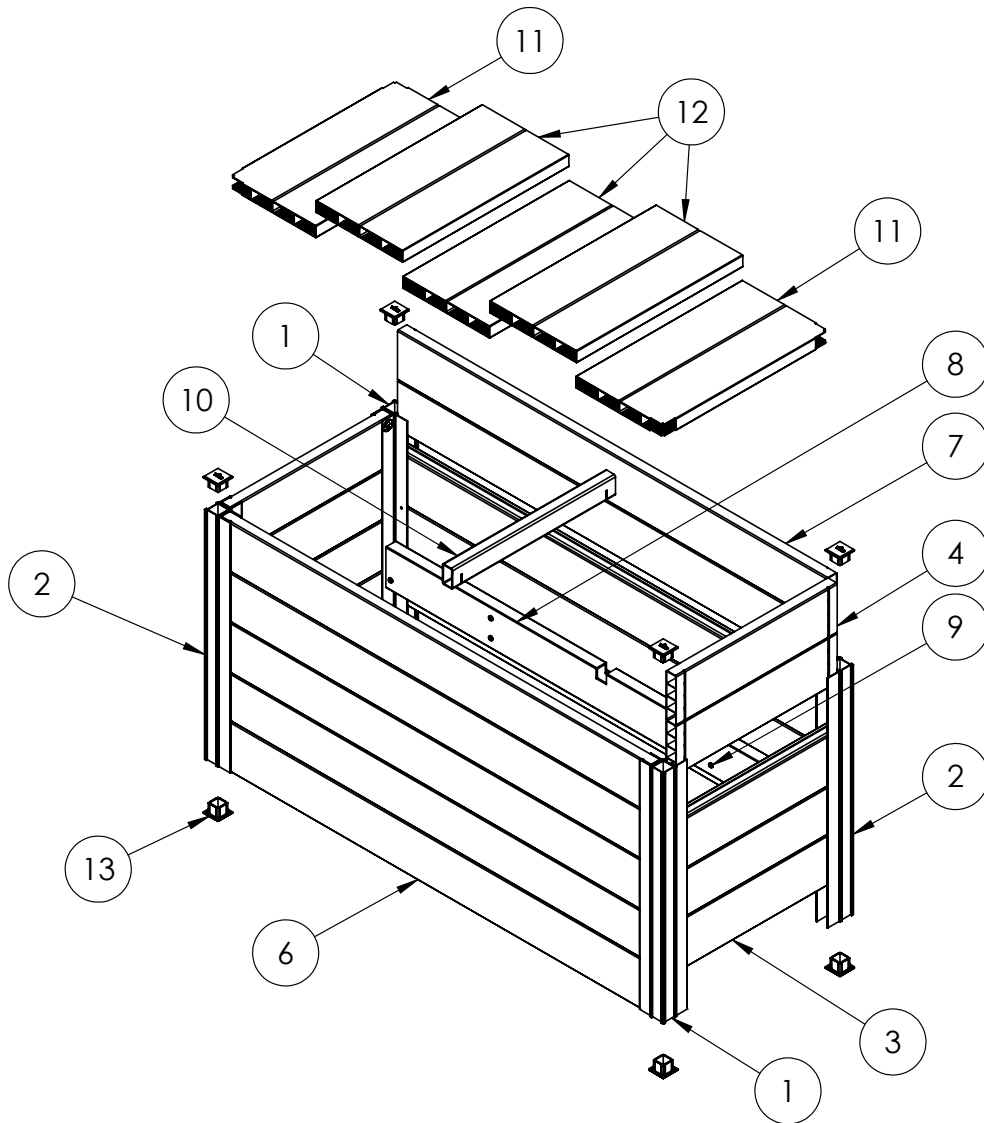
PARTS LIST

LISTE DES PIÈCES

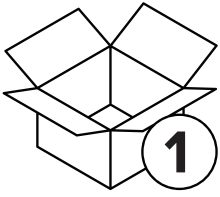
LISTADO DE PIEZAS

VT17612

SLATE
ARDOISE
PIZARRA

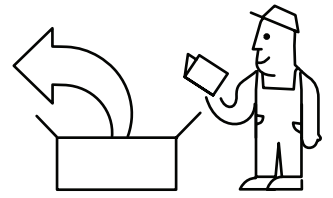


ITEM NO.	Part Number	Description	Dimension	QTY.
1	16019	Post Assembly	18 1/4" (46.4 CM)	2
2	16043	Post Assembly	18 1/4" (46.4 CM)	2
3	16327	Short Lower Wallboard	13 5/8" X 11 1/2" (34.6 CM X 29.2 CM)	2
4	16329	Short Upper Wallboard	13 5/8" X 7 3/8" (34.6 CM X 18.6 CM)	2
5	20066	Round Head Screw	5/8" (1.6 CM)	4
6	16331	Long Lower Wallboard	36 3/8" X 11 1/2" (92.4 CM X 29.2 CM)	2
7	16333	Long Upper Wallboard	36 3/8" X 7 3/8" (92.4 CM X 18.6 CM)	2
8	16026	Floorboard Support Brace	36.37" (92.4 CM)	2
9	20080	Round Head Screw	1 1/4" (3.2 CM)	12
10	16028	Cross Brace	13.80" (35.0 CM)	1
11	16024	End Floorboard	14" (35.6 CM)	2
12	16026	Mid Floorboard	14" (35.6 CM)	3
13	16325	Post Cap VITA		8

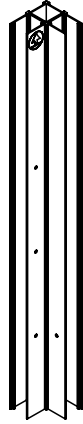


PARTS LIST

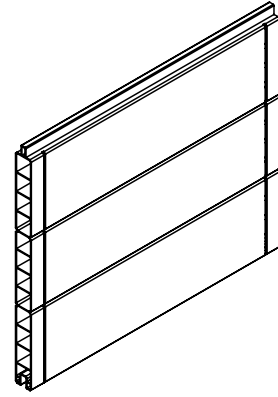
LISTE DES PIÈCES
LISTADO DE PIEZAS



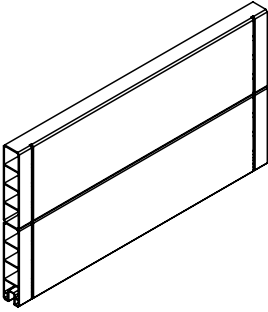
1
X2



2
X2



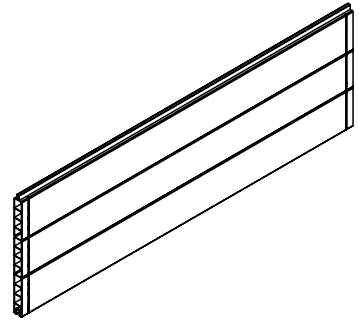
3
X2



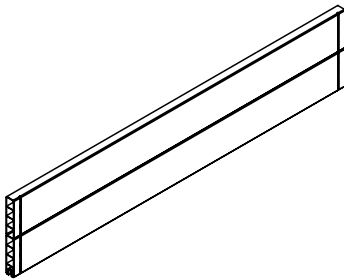
4
X2



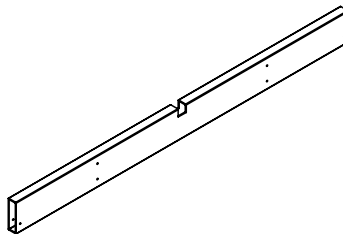
5
X4



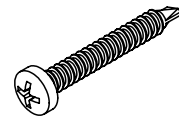
6
X2



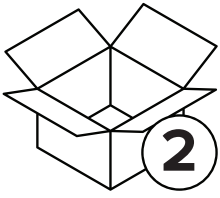
7
X2



8
X2

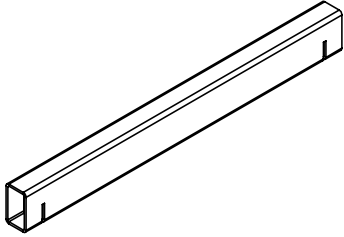
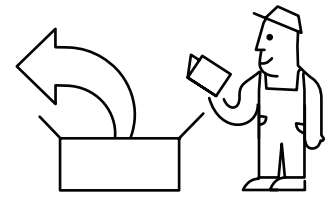


9
X12

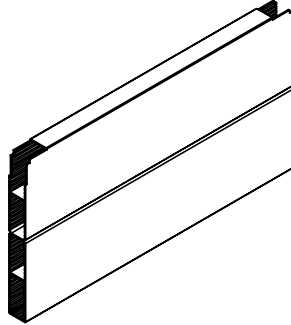


PARTS LIST

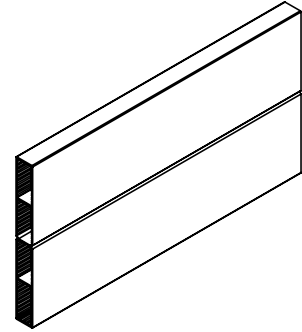
LISTE DES PIÈCES
LISTADO DE PIEZAS



10
X1



11
X2



12
X3



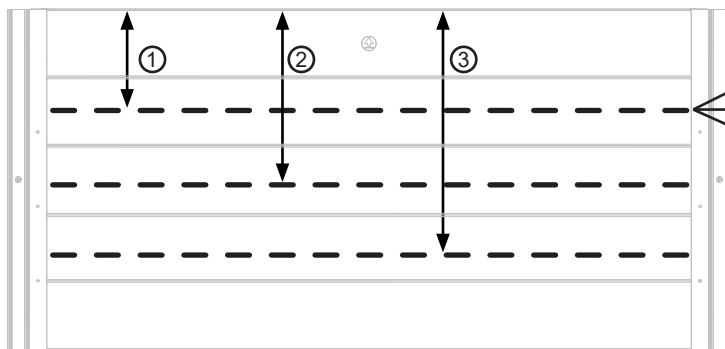
13
X8

SOIL CAPACITY

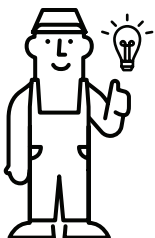
CAPACITÉ DU SOL

CAPACIDAD DEL SUELO

False Bottom	Depth	Amount of Soil	Number of Soil Bags
①	3 5/8" (9.1 cm)	1.1 cubic feet (30.6 liters)	x1
②	7 5/8" (19.3cm)	2.3 cubic feet (64.7 liters)	x2
③	11 5/8" (29.4cm)	3.5 cubic feet (98.7 liters)	x4



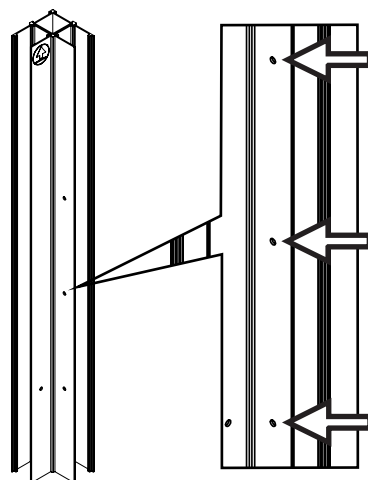
Recommended Depth Level!
Niveau de profondeur recommandé!
Nivel de profundidad recomendado!



3 SCREW HOLES SHOWN BELOW ALLOWS YOU TO POSITION YOUR FLOOR BRACE AT DIFFERENT DEPTHS. CHOOSE YOUR DEPTH ACCORDING TO WHAT YOU WILL BE PLANTING AND HOW MUCH SOIL IS NEEDED!

LES 3 TROUS DE VIS DÉMONTÉS CI-BAS VOUS PERMETTENT DE POSITIONNER VOTRE SOLIVAGE DE PLANCHER À DES PROFONDEURS DIFFÉRENTES. CHOISISSEZ VOTRE PROFONDEUR EN ACCORDANCE AVEC CE QUE VOUS ALLEZ PLANTER ET LE MONTANT DE TERRE NÉCESSAIRE!

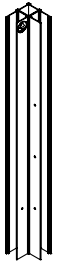
LOS 3 ORIFICIOS PARA TORNILLOS QUE SE MUESTRAN A CONTINUACIÓN LE PERMITEN COLOCAR SU REFUERZO PARA EL PISO A DIFERENTES PROFUNDIDADES. ¡ELIJA SU PROFUNDIDAD SEGÚN LO QUE SE PLANTARÁ Y CUÁNTO TIERRA SE NECESITA!



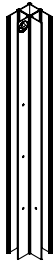
PART #1 (16019)

SLIDE DOWN THE SHORT WALLBOARDS

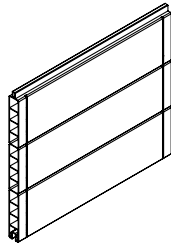
GLISSEZ LES PANNEAUX DE MUR COURTS VERS LE BAS
DESGLIZAR ABAJO LOS PANELES CORTOS



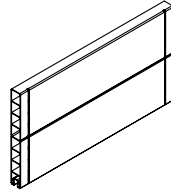
1
X2



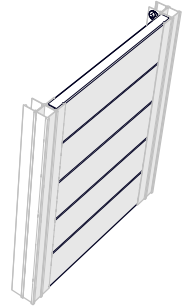
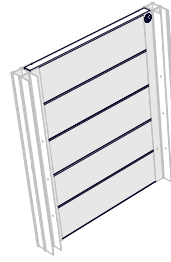
2
X2



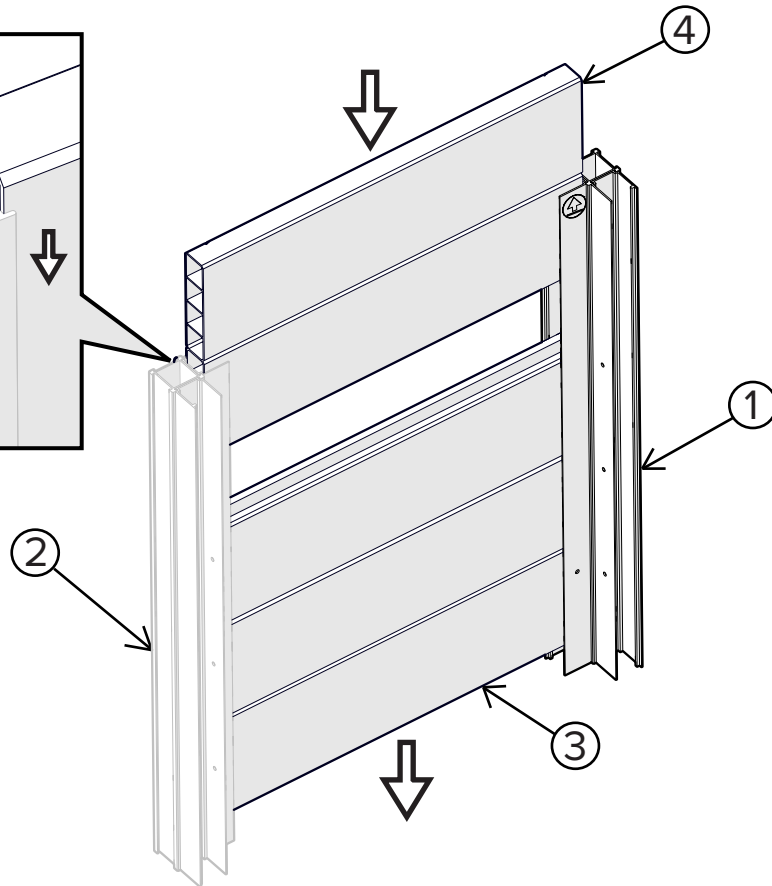
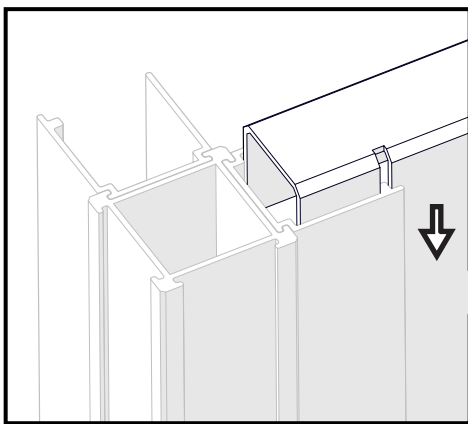
3
X2



4
X2



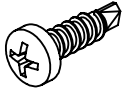
X2



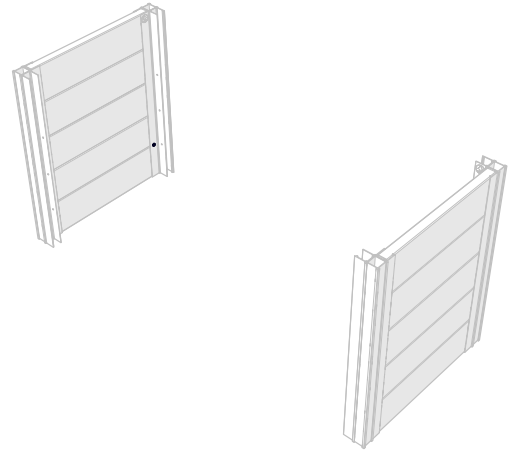
2

SECURE THE SHORTSIDE BOARDS

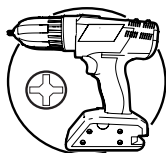
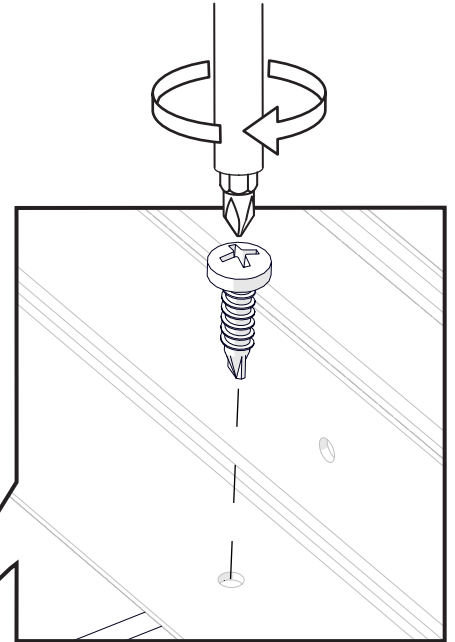
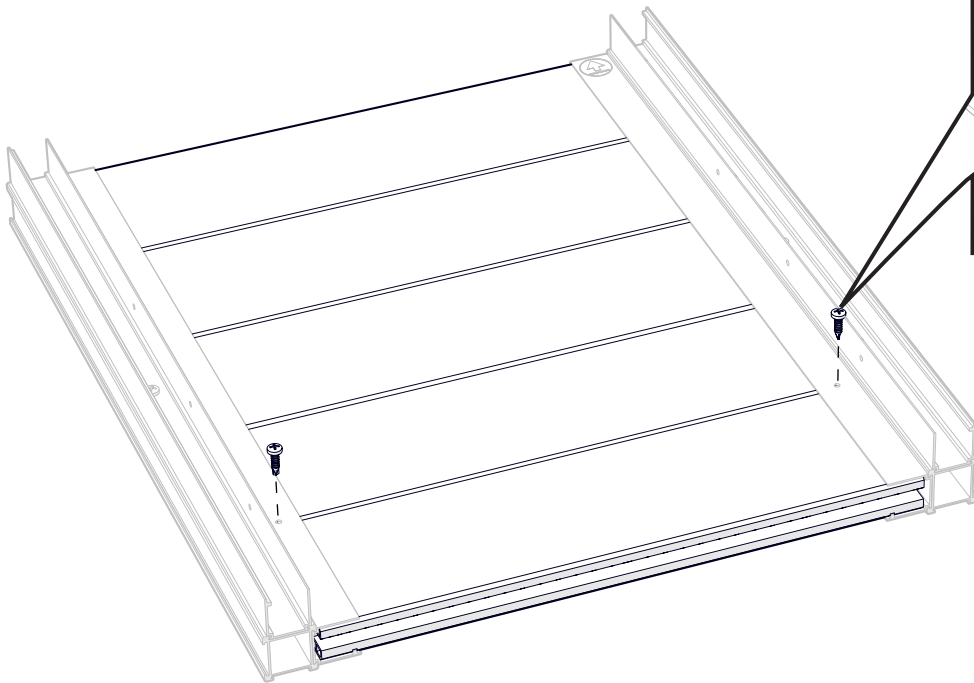
FIXEZ LES PANNEAUX COURTS
ASEGURAR LOS PANELES DEL LADO CORTO



5
X4



X2

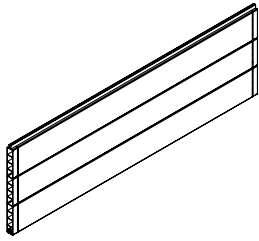


PHILIPS #2

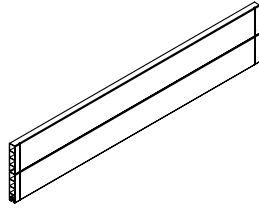
3

SLIDE DOWN THE LONG WALLBOARDS

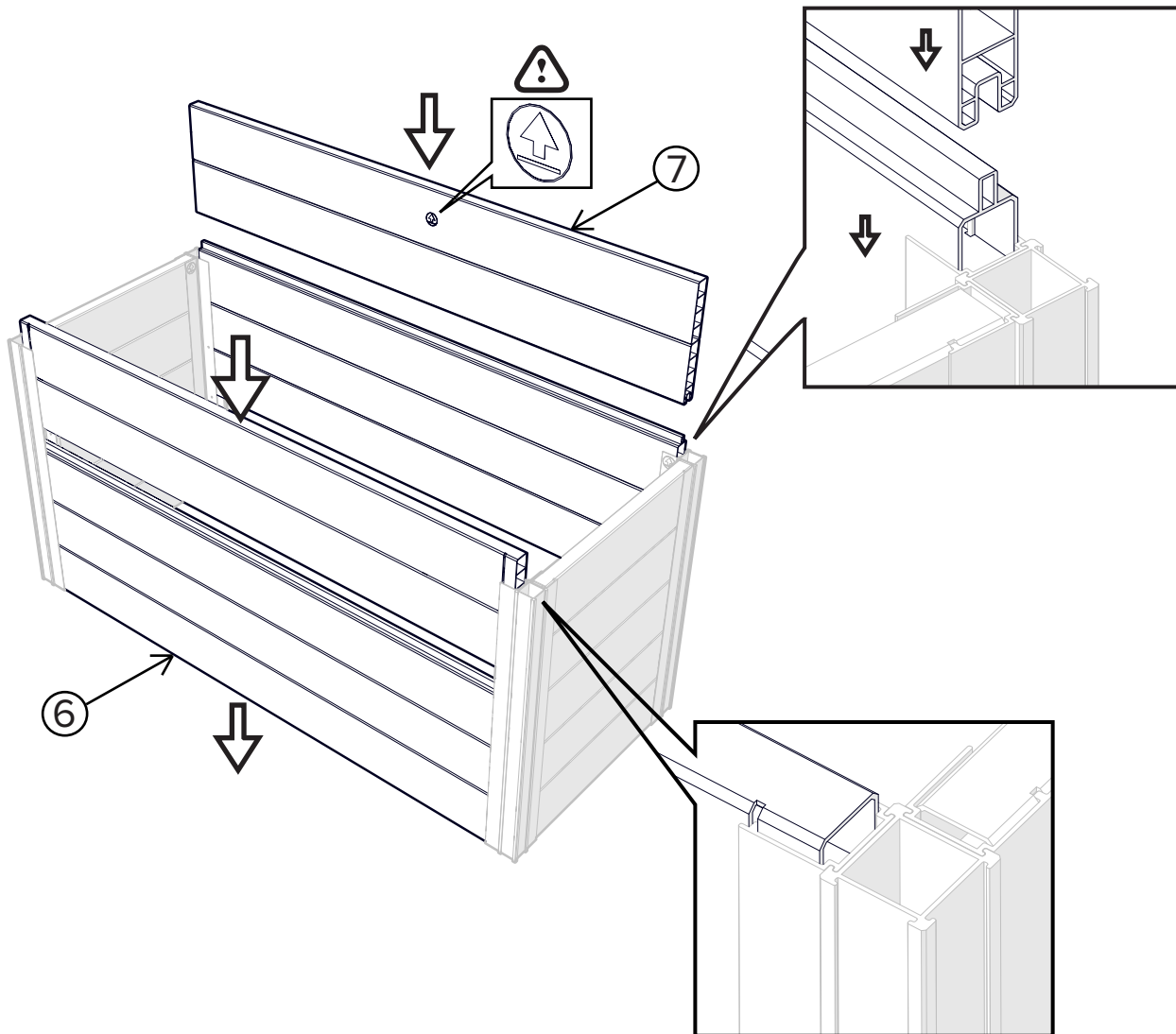
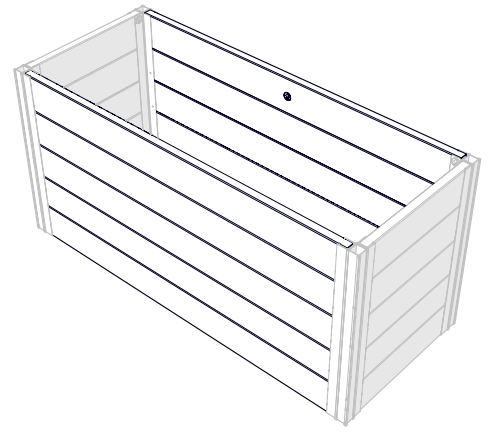
GLISSEZ LES PANNEAUX DE MUR LONGS VERS LE BAS
DESLIZAR ABAJO LOS PANELES LARGOS



6
X2



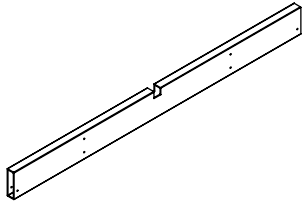
7
X2



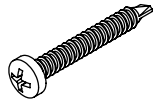
4

SECURE THE FLOORBOARD BRACE

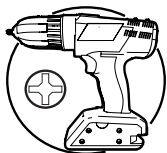
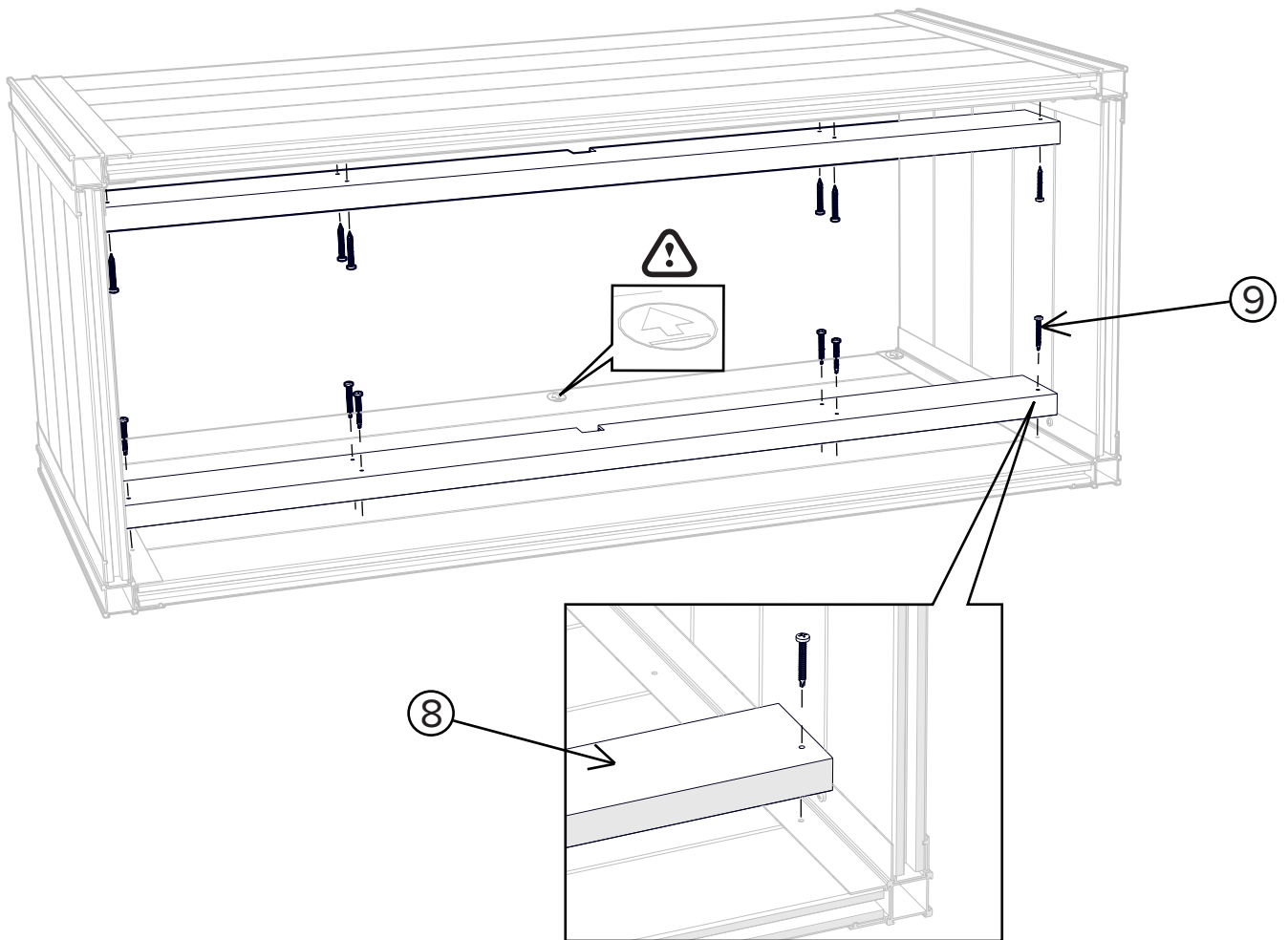
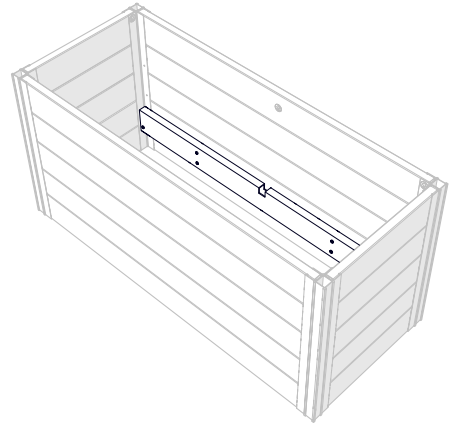
FIXEZ LE SOLIVAGE DE PLANCHER
ASEGURAR EL REFUERZO PARA EL PISO



8
X2



9
X12

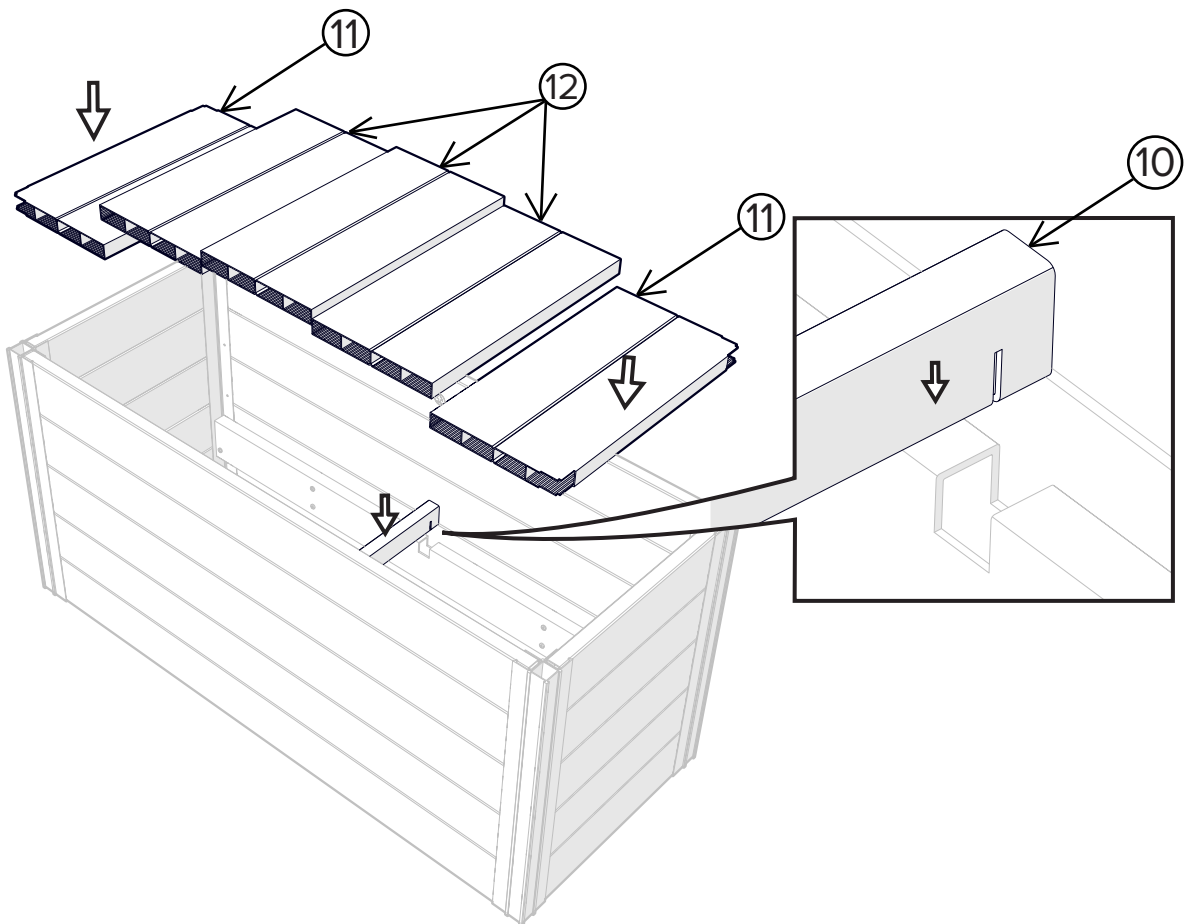
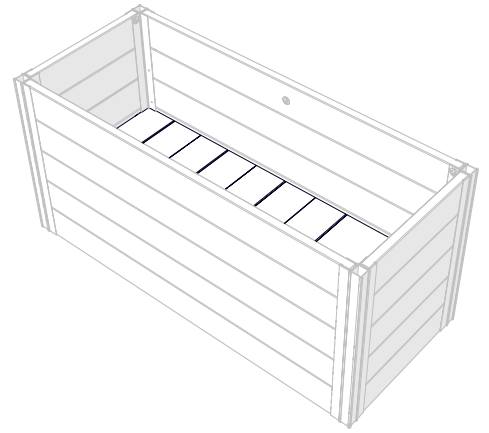
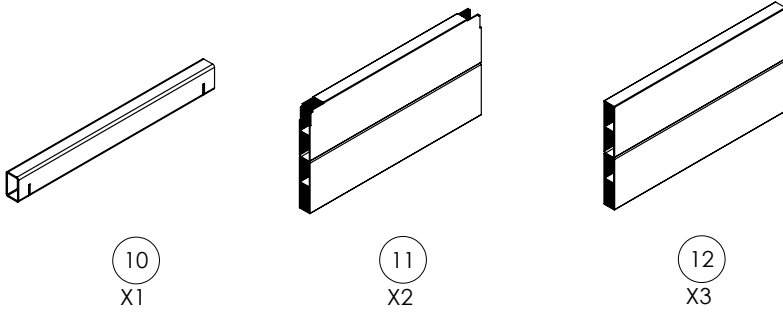


PHILIPS #2

5

LAY DOWN THE FLOORBOARDS

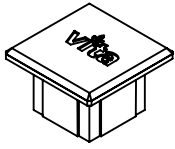
POSEZ LES PANNEAUX DE PLANCHER
COLOCAR LOS PANELES DEL PISO



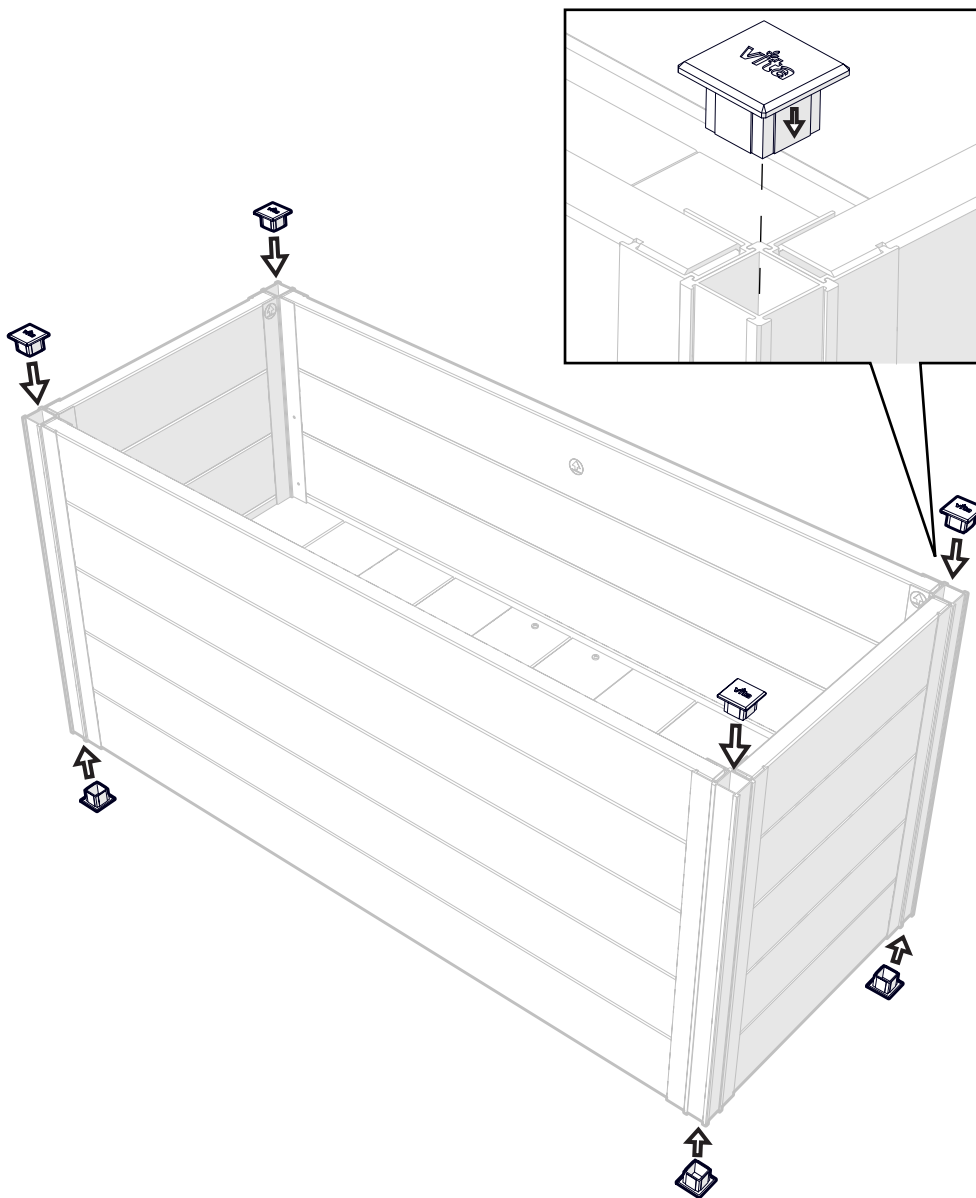
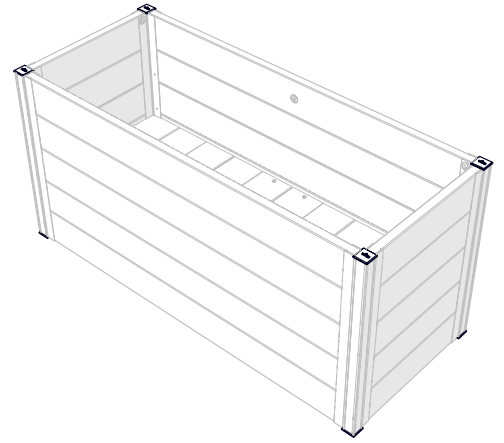
6

SECURE THE POST CAPS

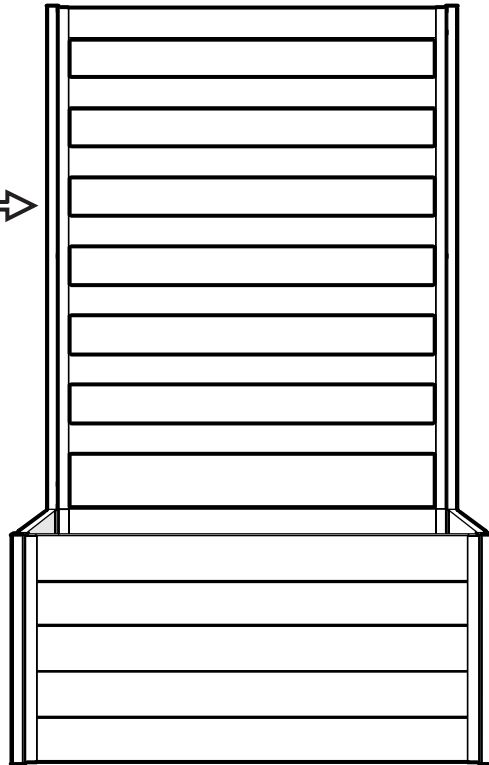
FIXEZ LES CAPUCHONS DE POTEAU
ASEGURAR LAS TAPAS DE LOS POSTES



13
X8



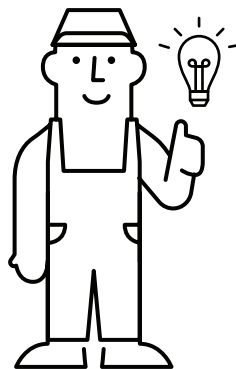
VT17525/VT17625 →



VT17512/VT17612 →

ADD A TRELLIS!

AJOUTER UN TREILLIS!
AGREGAR UN ENREJADO!
FÜGEN SIE EIN GITTER HINZU
AGGIUNGI UN TRALICCIO



COMBINE PARKLETES AND TRELLIS

COMBINEZ PARKLETES ET TREILLIS
COMBINA PARKLETES Y TRELLIS
KOMBINIEREN SIE PARKLETES UND SPALIER
COMBINA PARKLETES E TRELLIS

VT17524/
VT17624

VT17525/
VT17625

