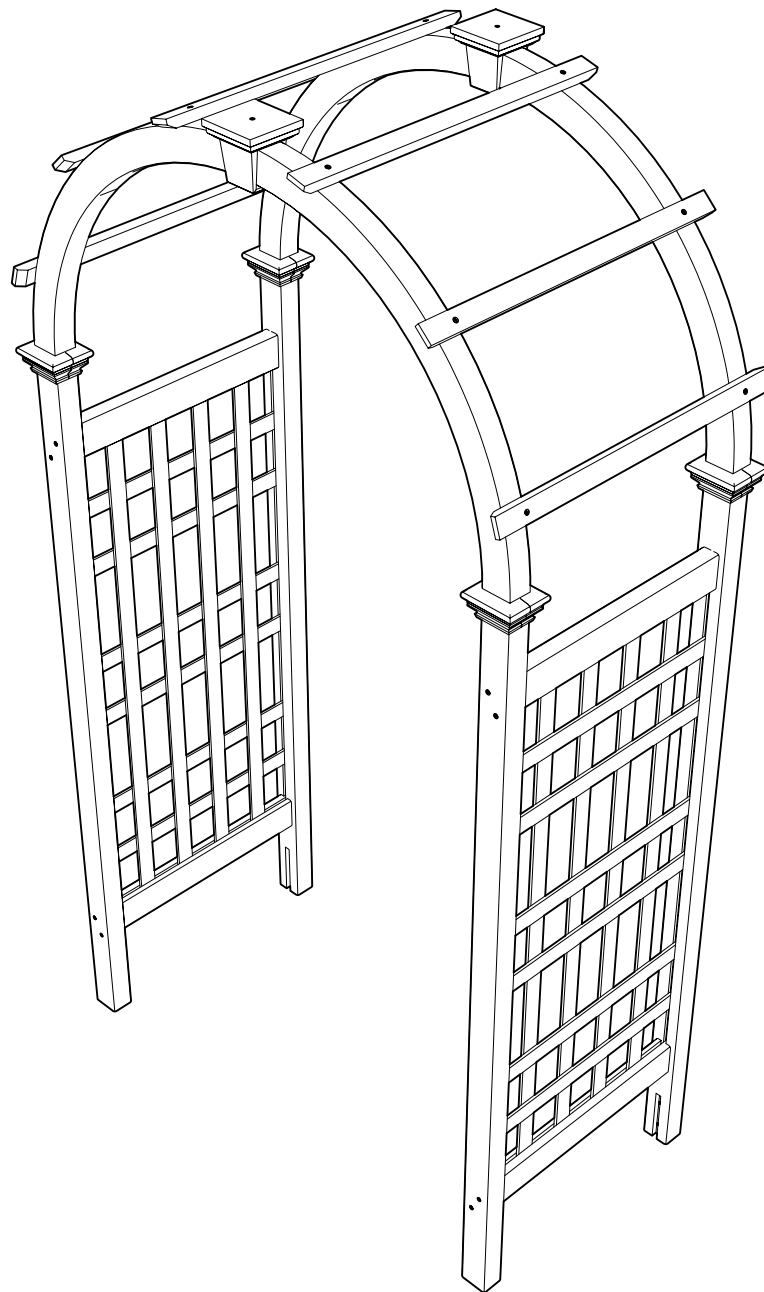


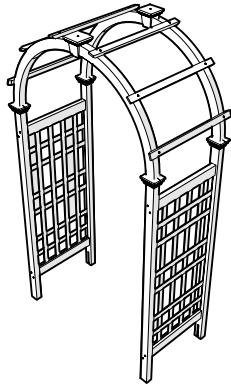


**ASSEMBLY  
GUIDE**

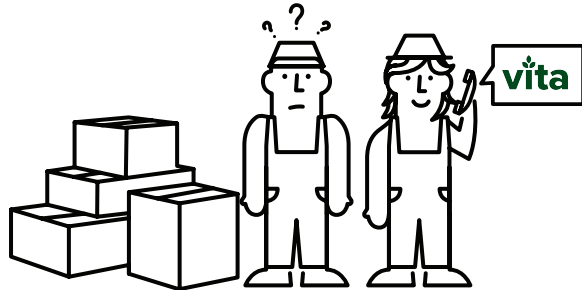
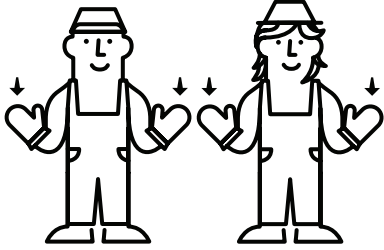
# Rosewood Arbor


**VA68894**





— X —



 1-800-282-9346



[hello@wearevita.com](mailto:hello@wearevita.com)



8:00 AM - 5:00 PM EST



[wearevita.com](http://wearevita.com)

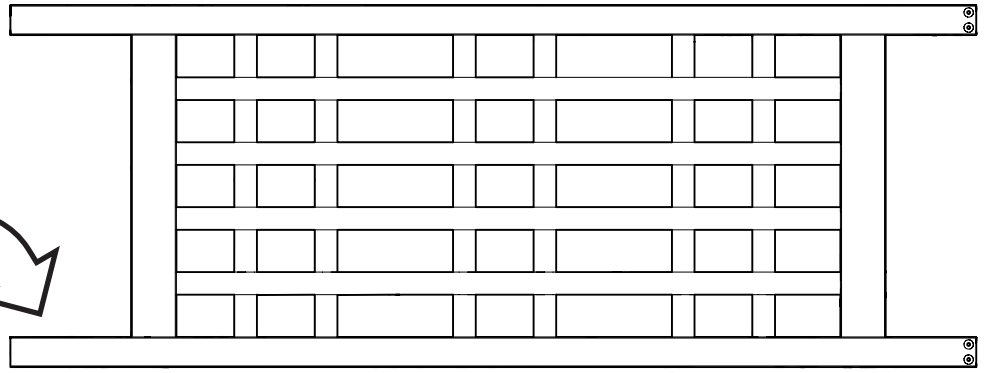
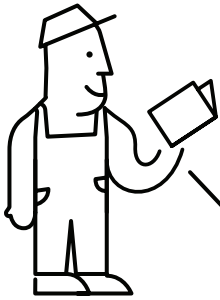


# IN THIS GUIDE

<b>PARTS LIST</b>	<b>4</b>
<b>TOOLS YOU WILL NEED - PRODUCT DIMENSIONS</b>	<b>5</b>
<b>STEP 1 AND 2</b>	<b>6</b>
<b>STEP 3 AND 4</b>	<b>7</b>
<b>STEP 5 AND 6</b>	<b>8</b>
<b>STEP 7 AND 8</b>	<b>9</b>
<b>STEP 9 AND 10 (TEMPORARY INSTALLATION)</b>	<b>10</b>
<b>STEP 11 (PERMANENT INSTALLATION)</b>	<b>11</b>



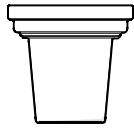
# PARTS LIST



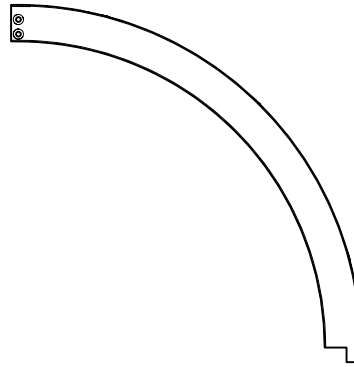
**PRE-ASSEMBLED SIDE PANEL - 12004 - X2**



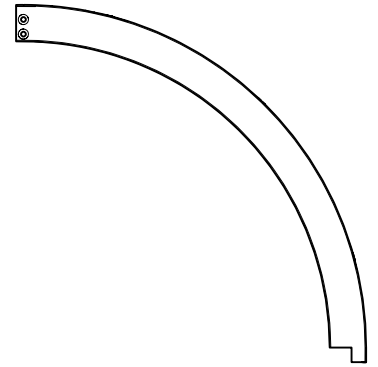
**POST TRIM  
12001 - X4**



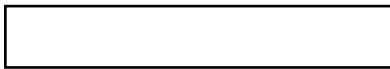
**ARCH KEYSTONE  
12000 - X2**



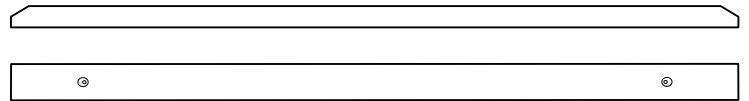
**RIGHT ARCH - 12002 - X2**



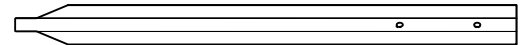
**LEFT ARCH - 12043 - X2**



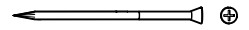
**WOOD BLOCK - X1**



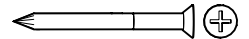
**ARCH RAFTER - 12003 - X6**



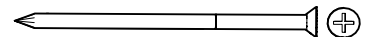
**METAL GROUND STAKES - 12006 - X4**



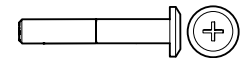
**20071 - SCREW A - 1 3/8IN (3.5CM) - X8 - TO SECURE POST TRIM CAPS TO ARBOR POSTS**



**20064 - SCREW B - 1 1/4IN (3.18CM) - X8 - TO ATTACH METAL STAKES TO ARBOR**



**20063 - SCREW C - 1 3/4IN (4.5CM) - X14 - TO ATTACH RAFTERS AND KEYSTONES TO**

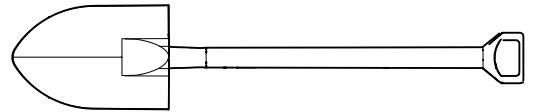
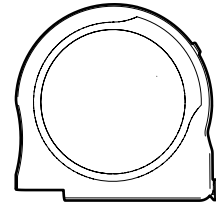
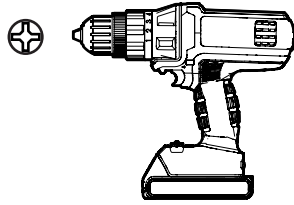
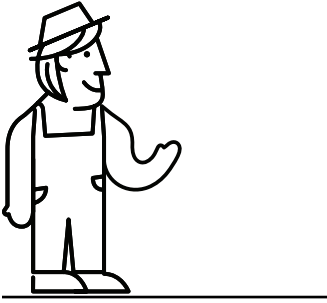


**20065- BOLT AND T-NUT D - 2IN (5CM) - X8**  
TO FASTEN SIDE PANELS TO ARCH ASSEMBLY. T-NUTS PRE-INSTALLED

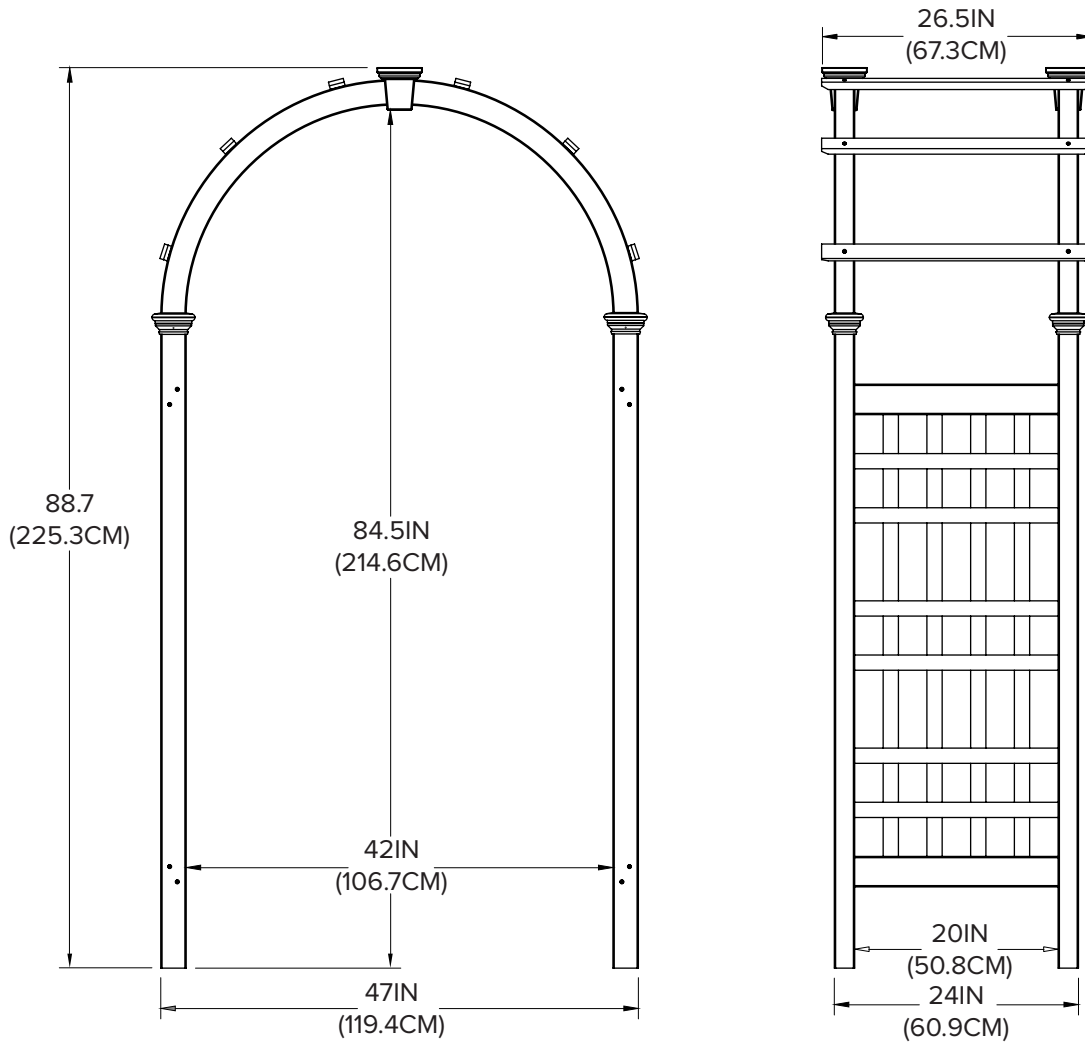


**20067 - BOLT AND T-NUT E - 1 3/4IN (4.5CM) - X4**  
FASTEN ARCH SECTIONS TOGETHER. T-NUTS PRE-INSTALLED

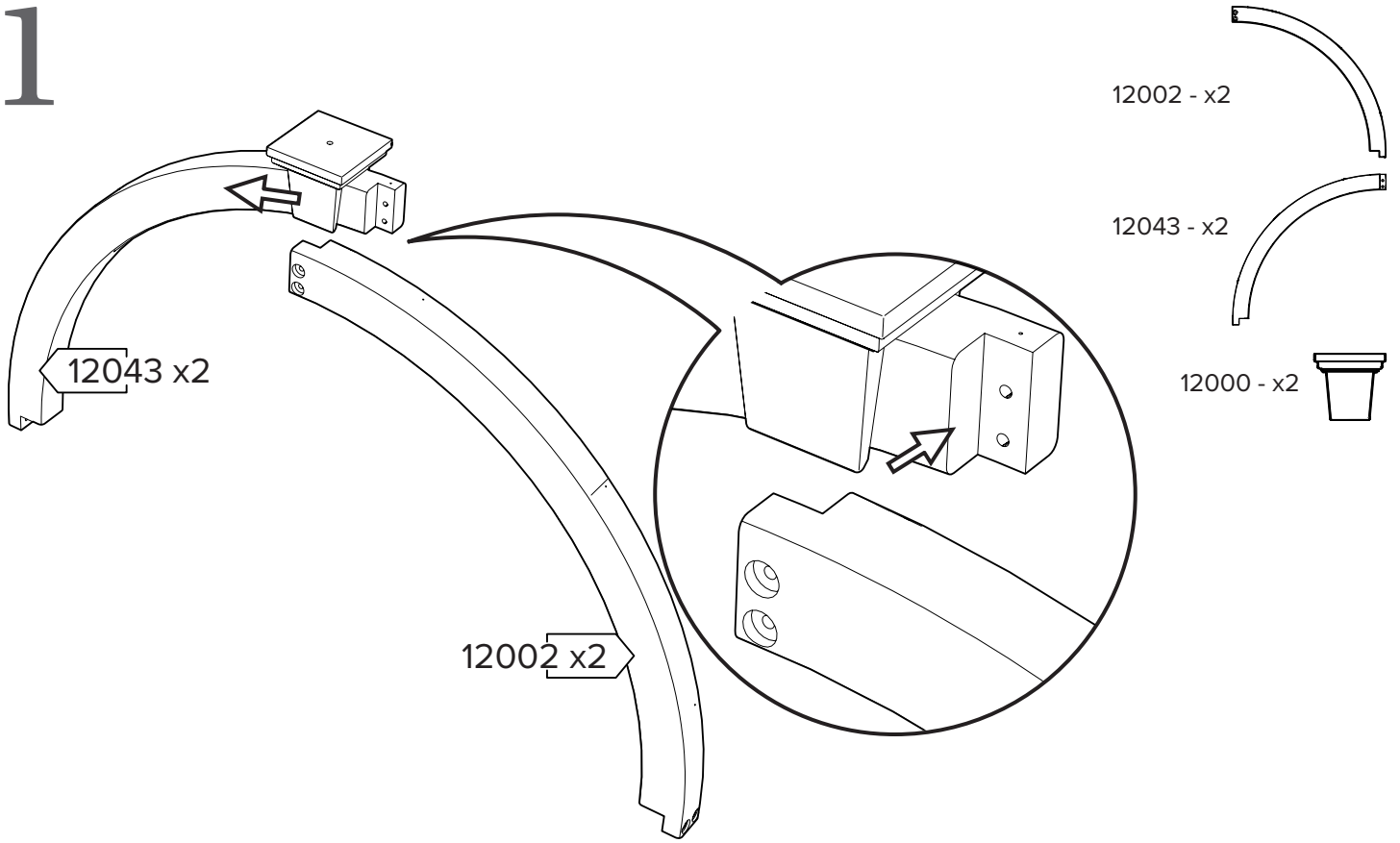
# TOOLS YOU WILL NEED



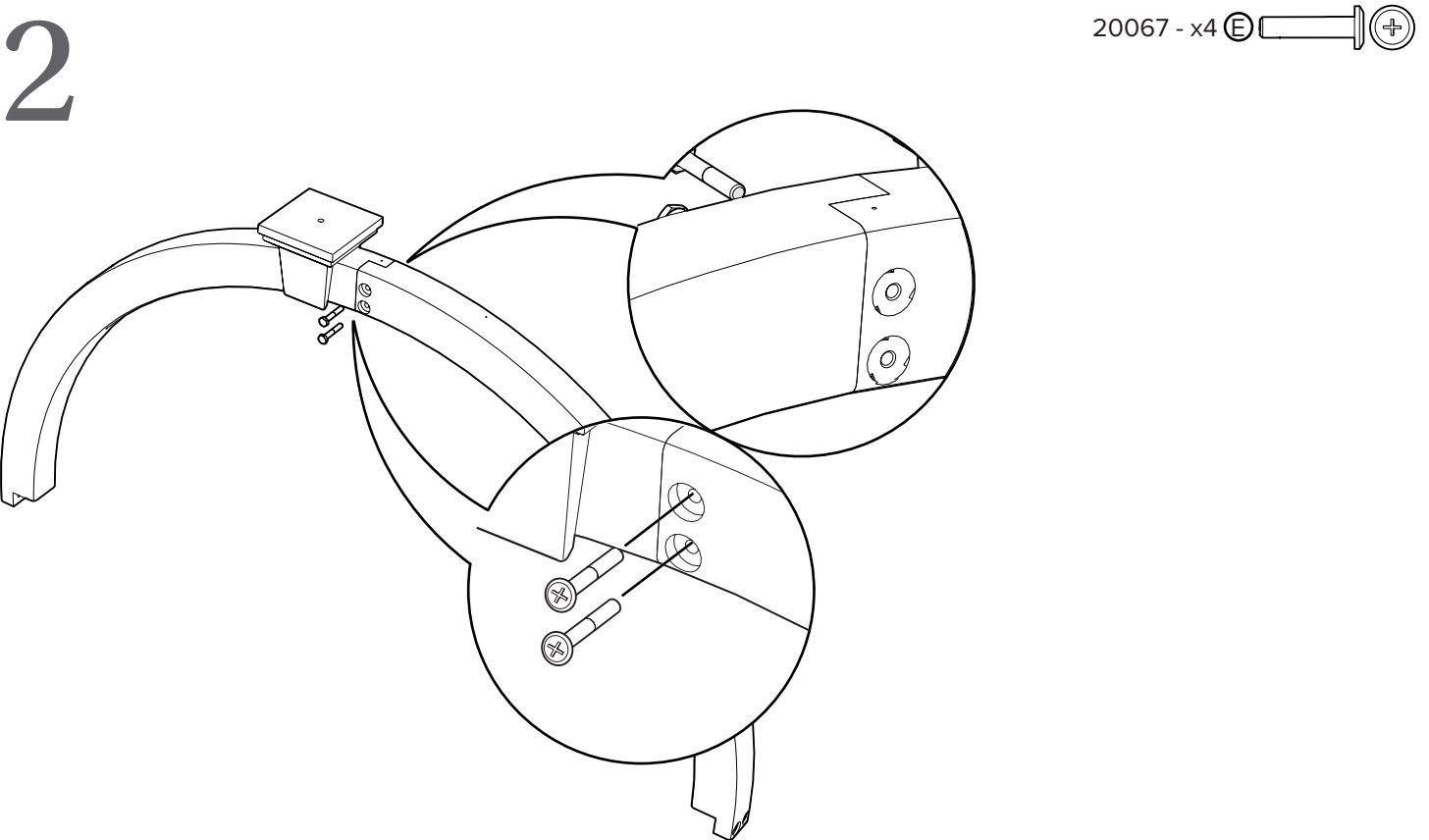
# PRODUCT DIMENSIONS



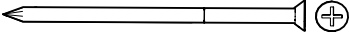
# 1

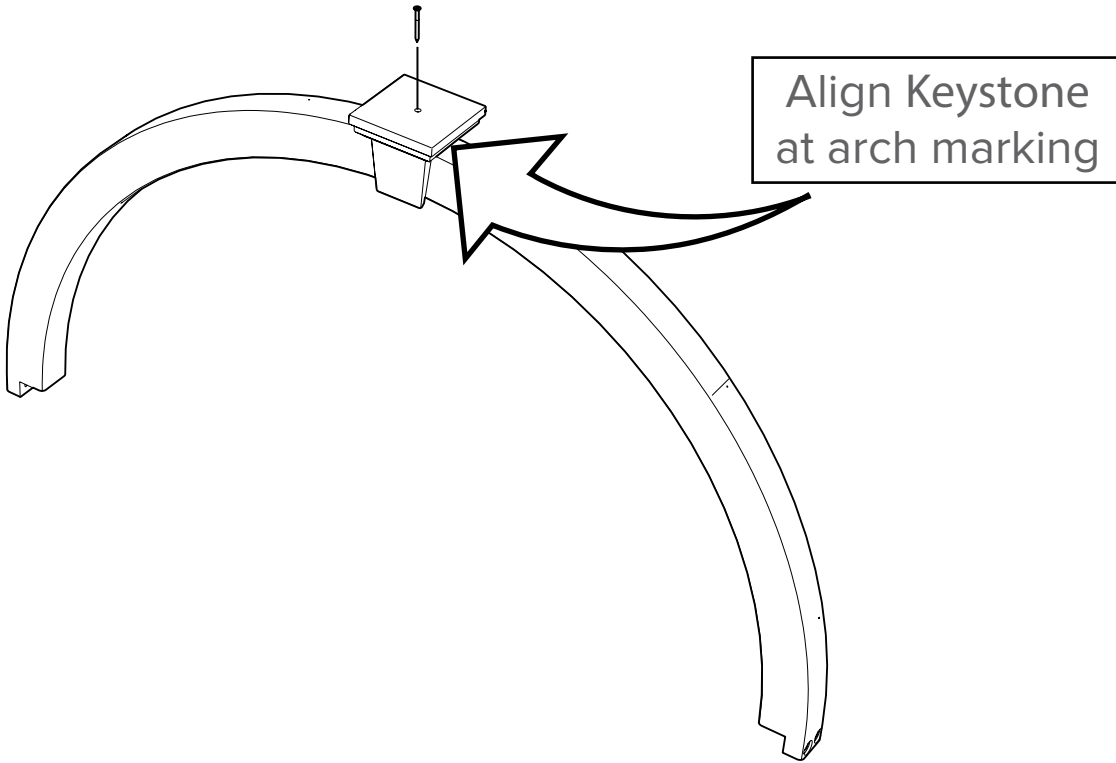


# 2

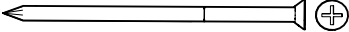


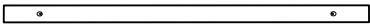
# 3

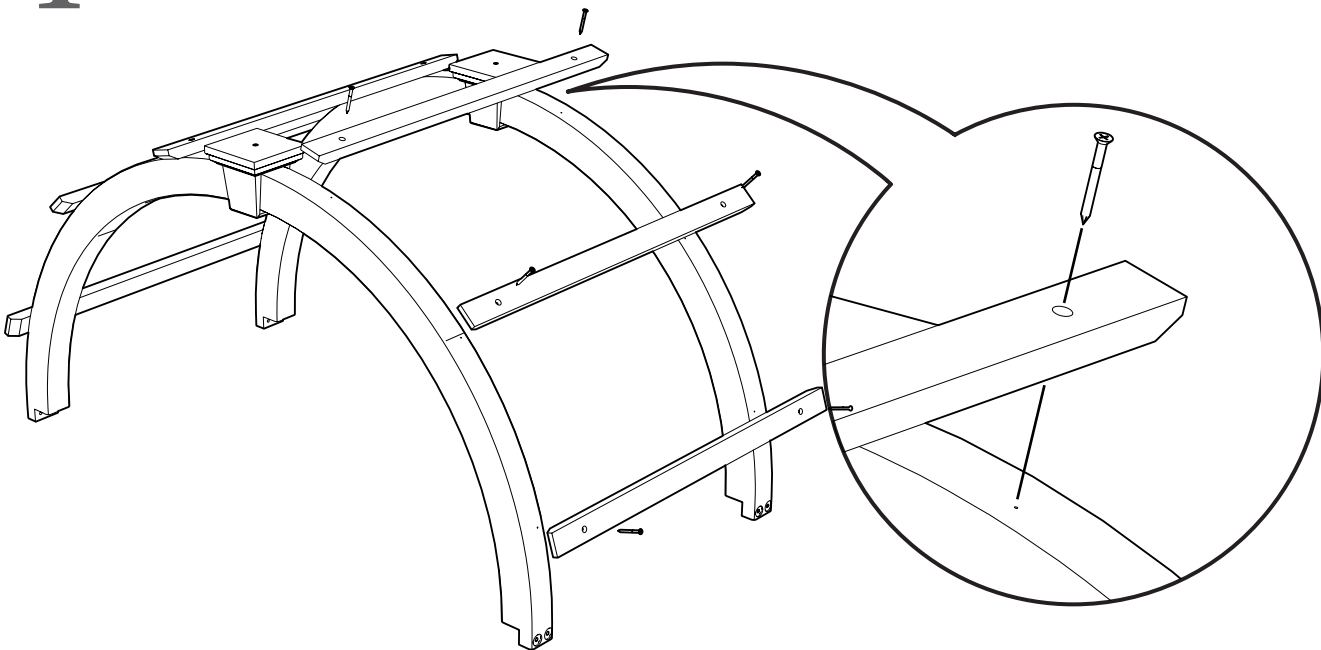
20063 - x2 © 



# 4

20063 - x12 © 

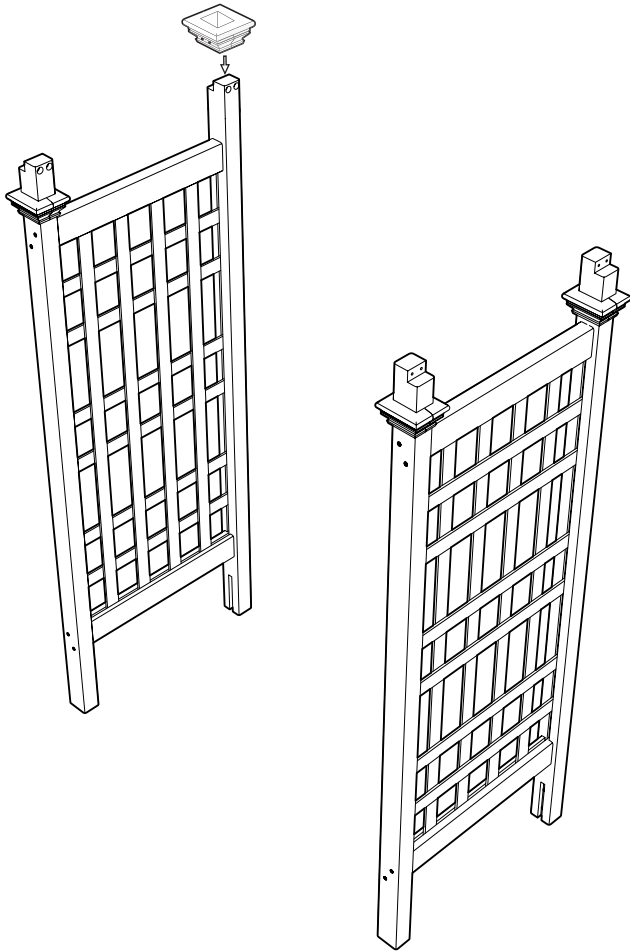
12003 - x6 



Be sure to have pre-drilled holes on arches face the interior of the arbor for proper orientation. The space between arches is 20in(50.8cm)

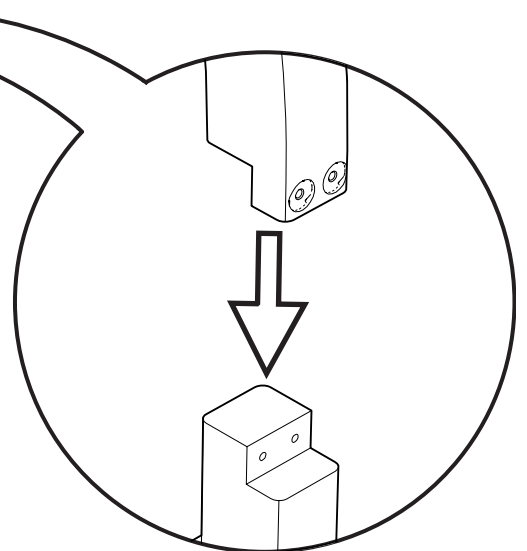
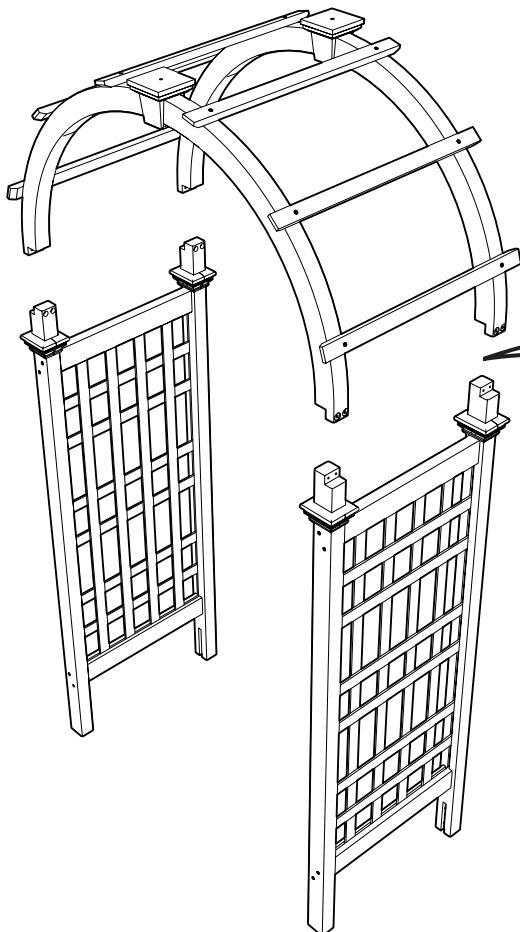
# 5

12001 - x4




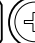
Screw holes to face  
inside of arbor

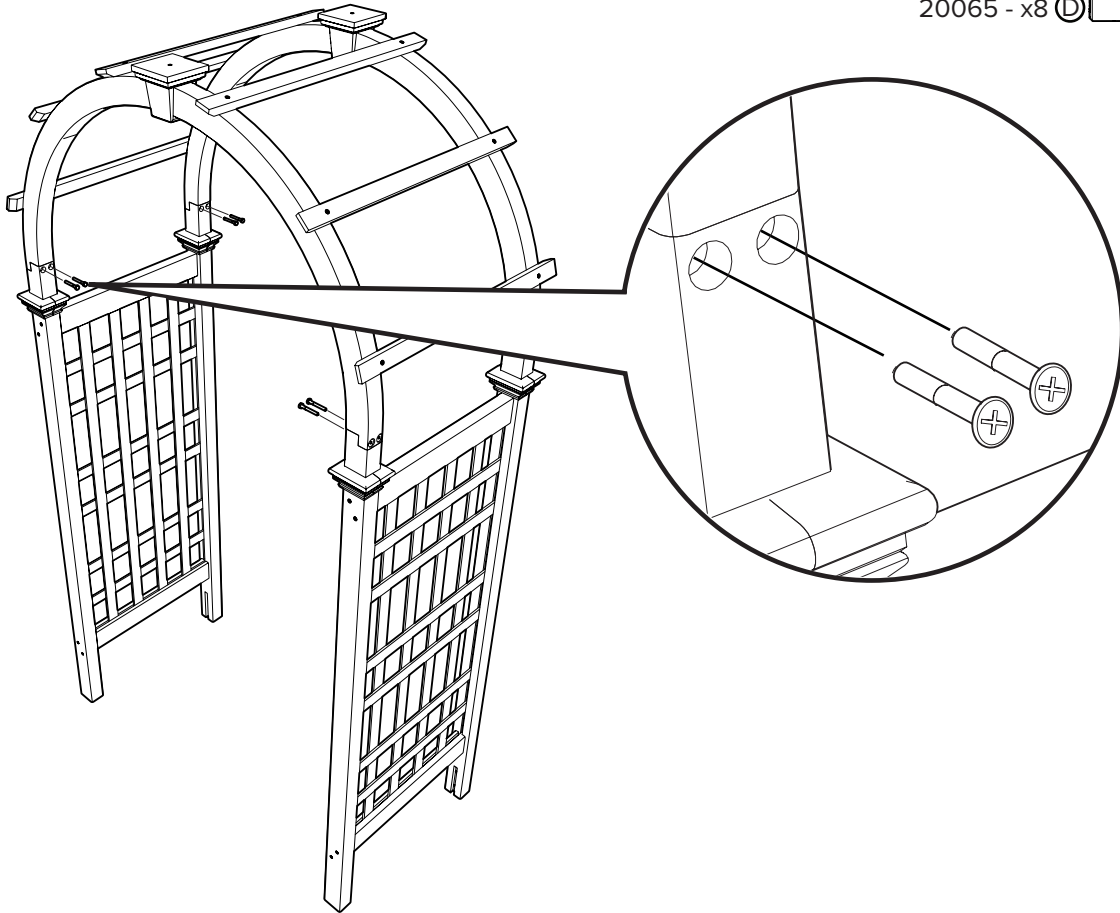
# 6





# 7

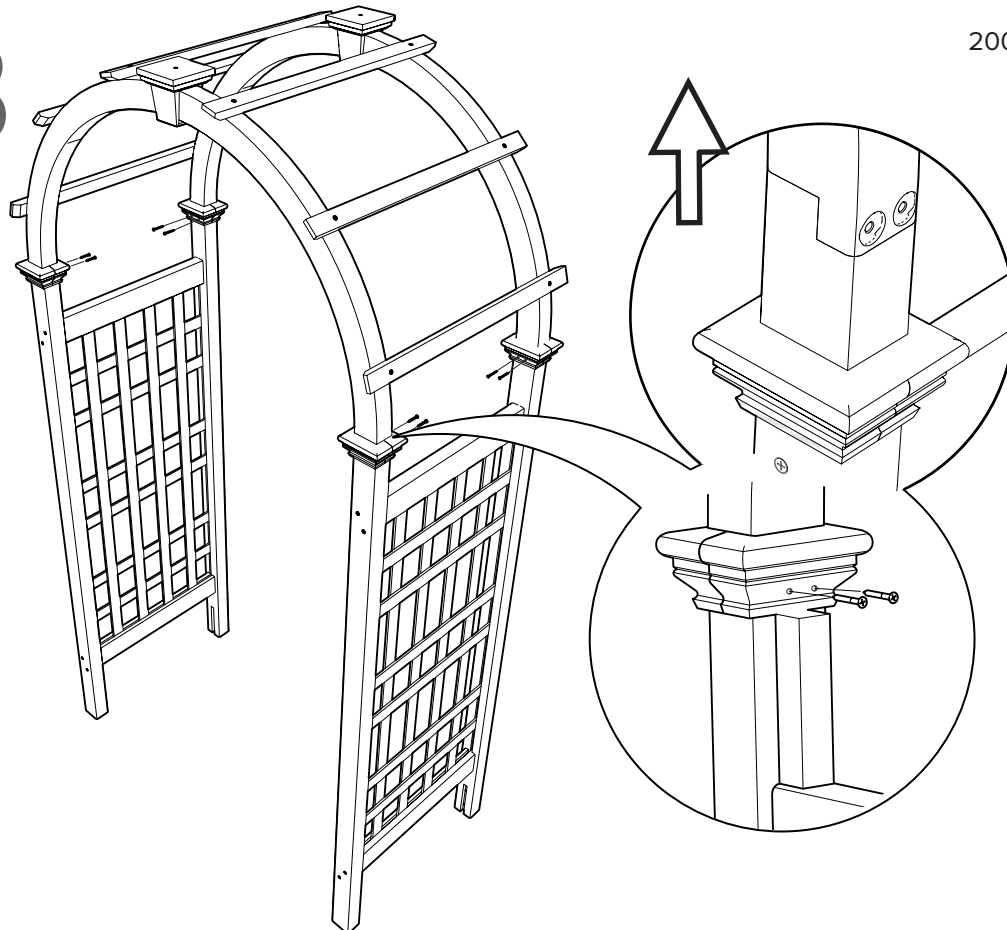
20065 - x8  



# 8

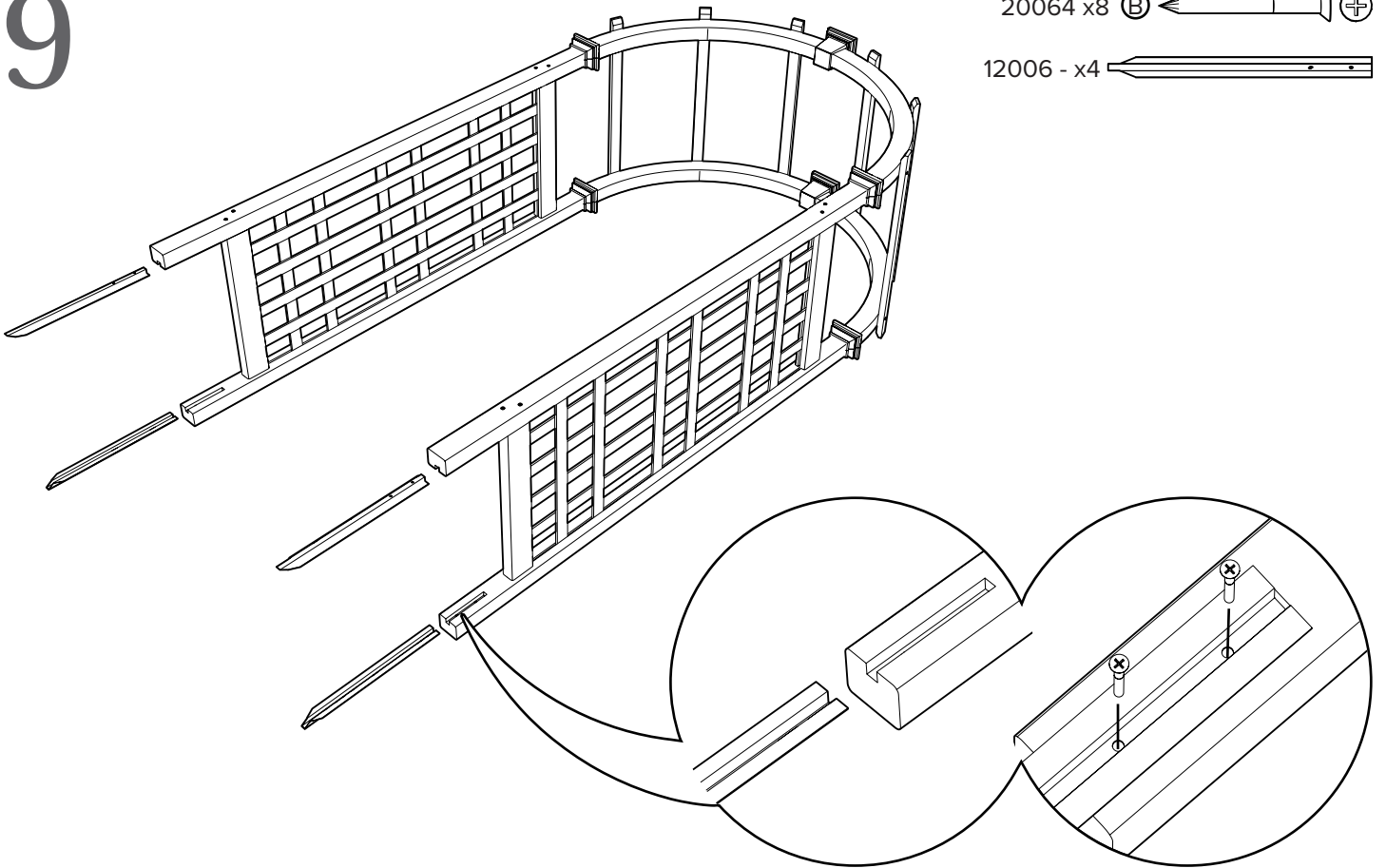
20071 - x8  

x1 

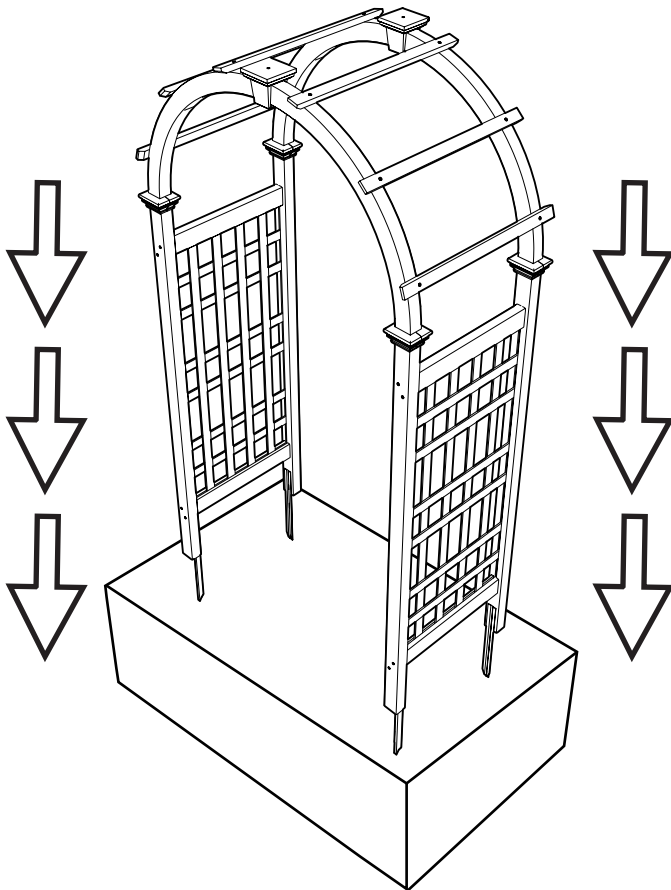


 Use wood block provided to help you hold post trim in place! Repeat for each trim

# 9



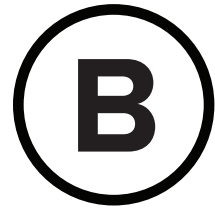
# 10



**A**

Temporary Installation

Carefully push arbor  
stakes into desired  
ground area



## Permanent Installation

For a permanent installation, measure four 8in (20.3cm) holes in diameter, 44 1/2in (113cm) apart by 22in apart (56cm), from center to center. Dig each hole 14in (36cm) deep.

Fill excavated holes with mixed concrete and carefully lift arbor into place. Plumb and level the arbor.

The posts should not be set in the concrete.

Make sure to support bottom part of you lattice with bricks until concrete has set. This will stop your arbor from sinking.

