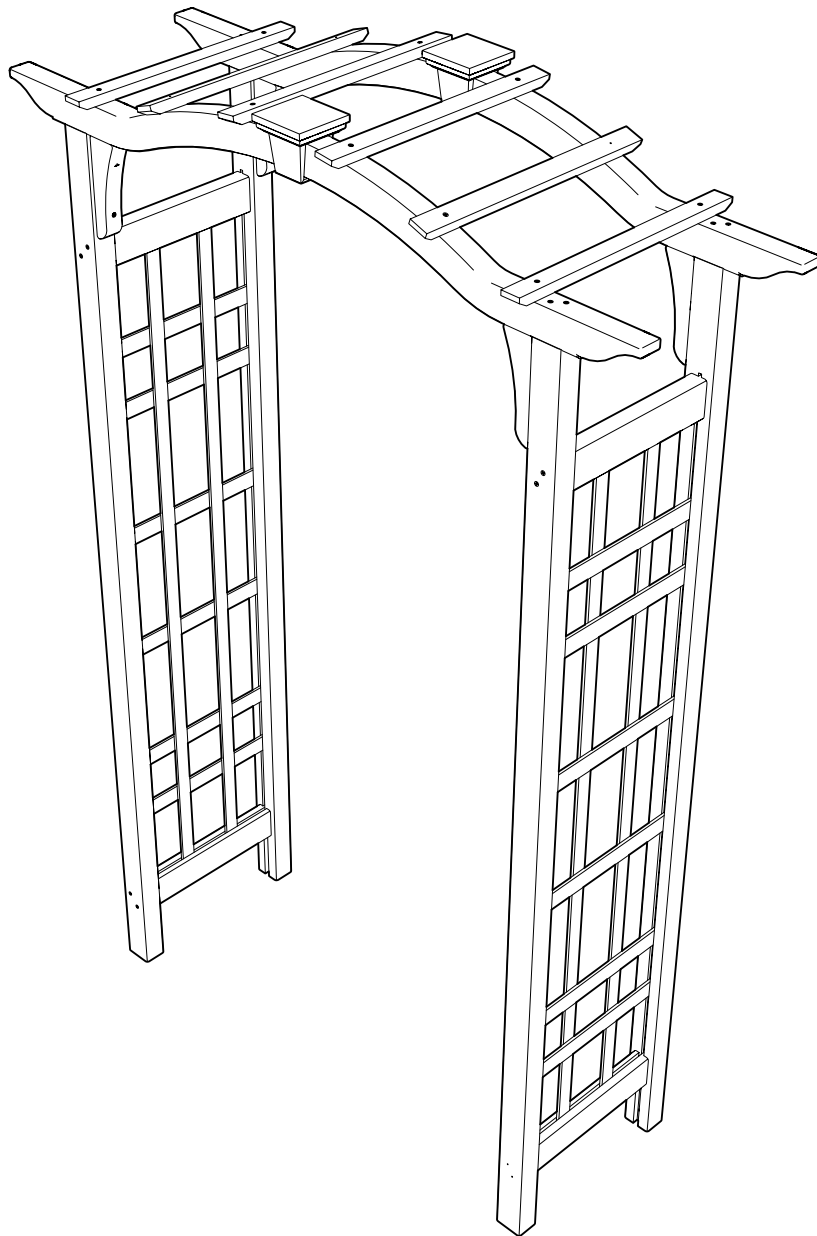


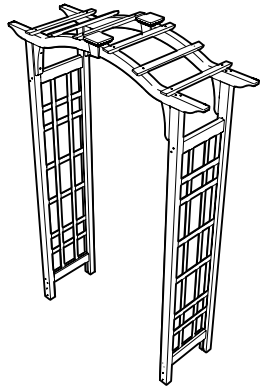


ASSEMBLY  
GUIDE

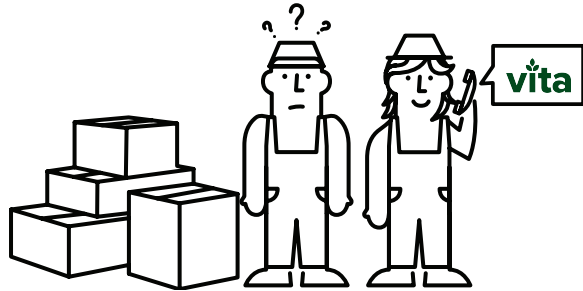
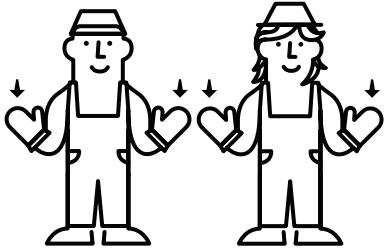
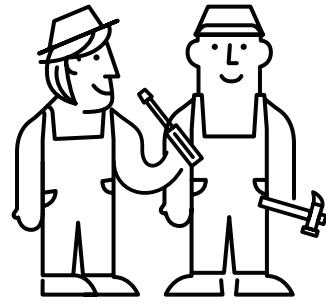
# Westwood Arbor


**VA68890**





— X —



 **1-800-282-9346**



**HELLO@WEAREVITA.COM**



**WWW.WEAREVITA.COM**



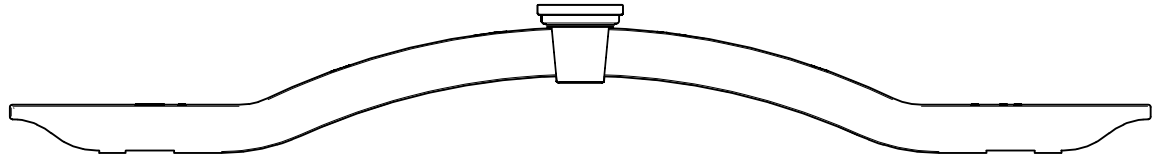
**8AM - 5PM EST**



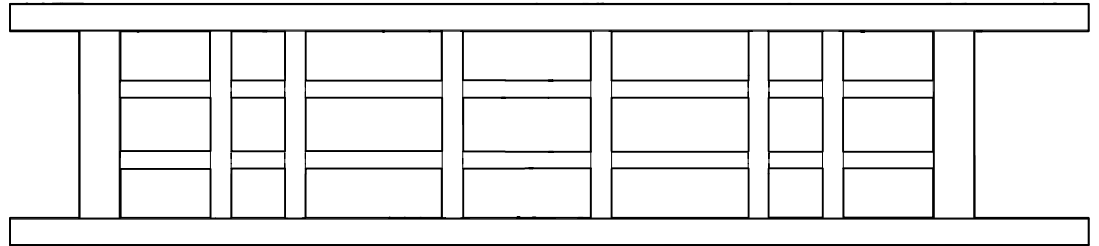
# IN THIS GUIDE

<b>PARTS LIST</b>	<b>4</b>
<b>TOOLS YOU WILL NEED - PRODUCT DIMENSIONS</b>	<b>5</b>
<b>STEP 1 AND 2</b>	<b>6</b>
<b>STEP 3 AND 4</b>	<b>7</b>
<b>STEP 5 AND 6 (TEMPORARY INSTALLATION)</b>	<b>8</b>
<b>STEP 7 (PERMANENT INSTALLATION)</b>	<b>9</b>

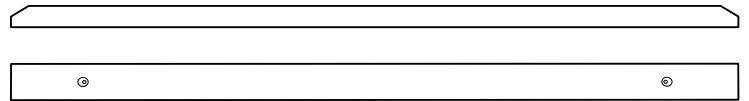
# PARTS LIST



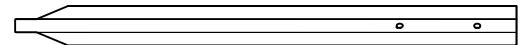
**PREASSEMBLED ARCH - 12009 - X2**



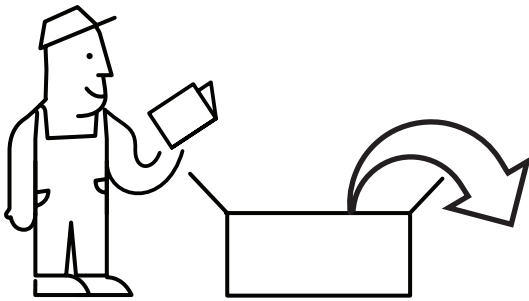
**PRE-ASSEMBLED SIDE PANEL - 12008 - X2**



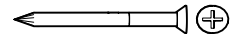
**ARCH RAFTER - 12007 - X6**



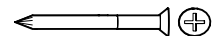
**METAL GROUND STAKES - 12006 - X4**



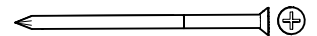
**BRACES - 12005 - X4**



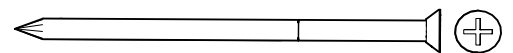
**SCREW A - 20037- 1 1/2IN (3.8CM) - X12 - TO ATTACH RAFTERS TO ARCH**



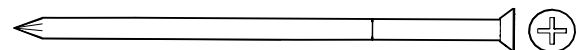
**SCREW B - 20064 - 1 1/4IN (3.18CM) - X8 - ATTACH GROUND STAKES TO POSTS**



**SCREW C - 20068 - 2IN (5CM) - X4 - TO ATTACH THE FLAT PART OF THE BRACES TO ARBOR POSTS**

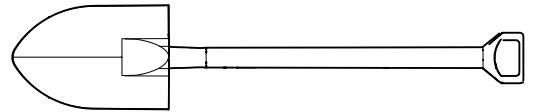
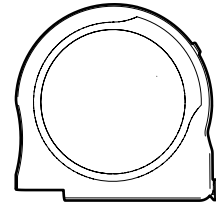
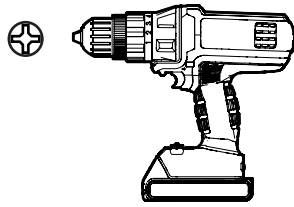
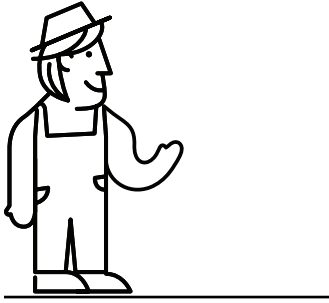


**SCREW D - 20069 - 3IN (7.6CM) - X4 - TO ATTACH THE SWOOP PART OF THE BRACE TO ARBOR**

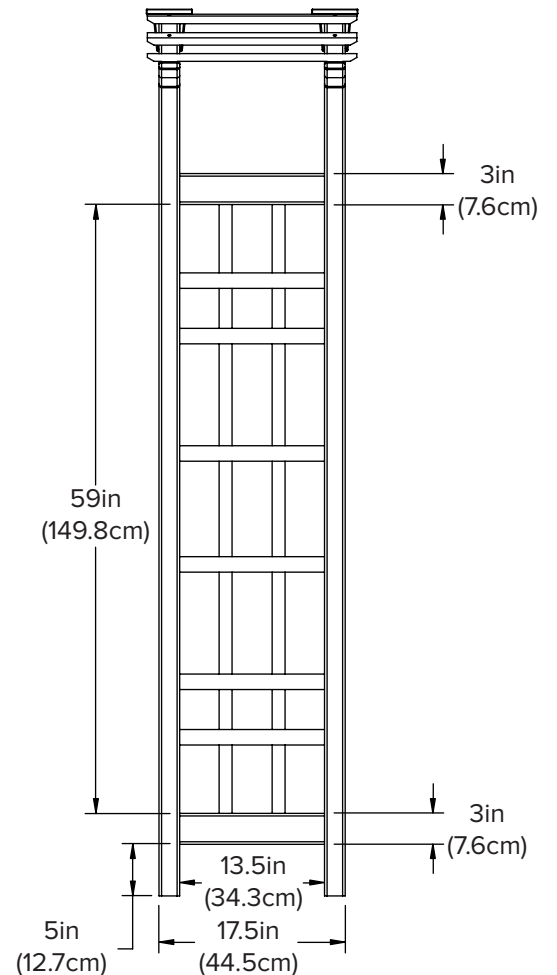
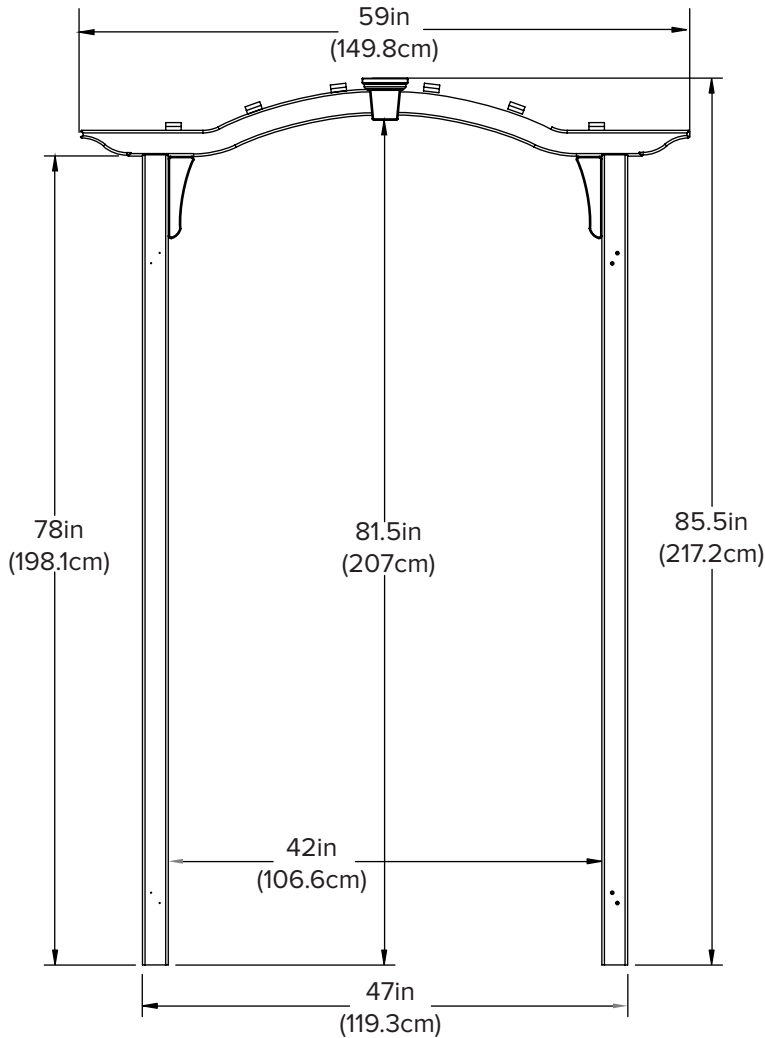


**SCREW E - 20070 - 3 1/2IN (9CM) - X8 - TO ATTACH SWOOP PART OF ARCHS TO ARBOR POSTS**

# TOOLS YOU WILL NEED



# PRODUCT DIMENSIONS

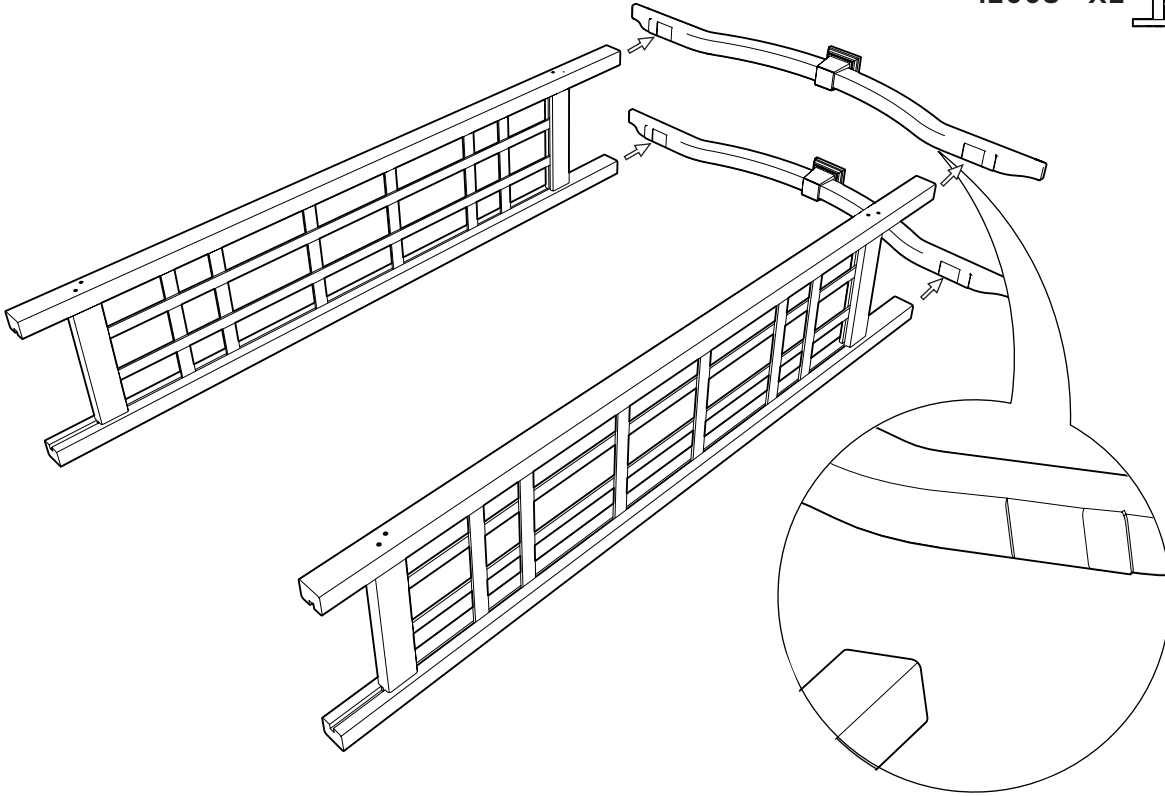
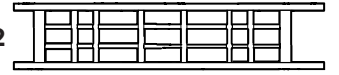


# 1

12009 - X2



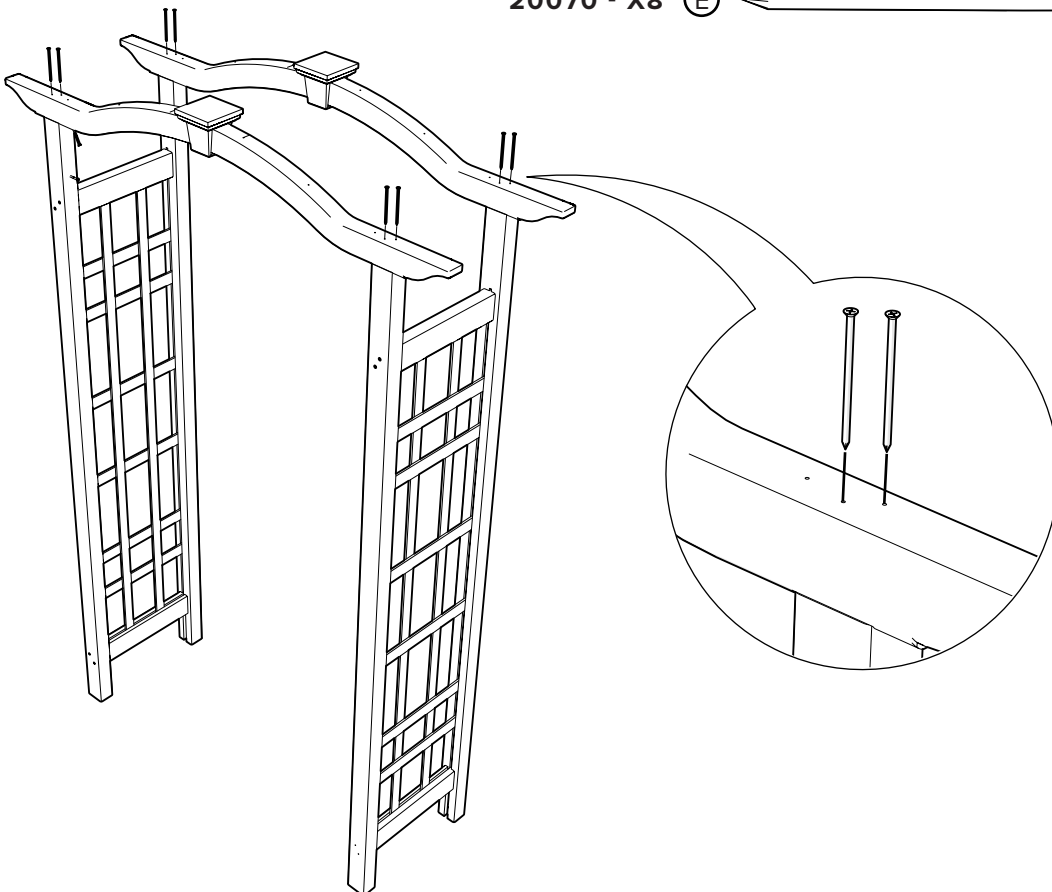
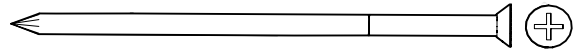
12008 - X2



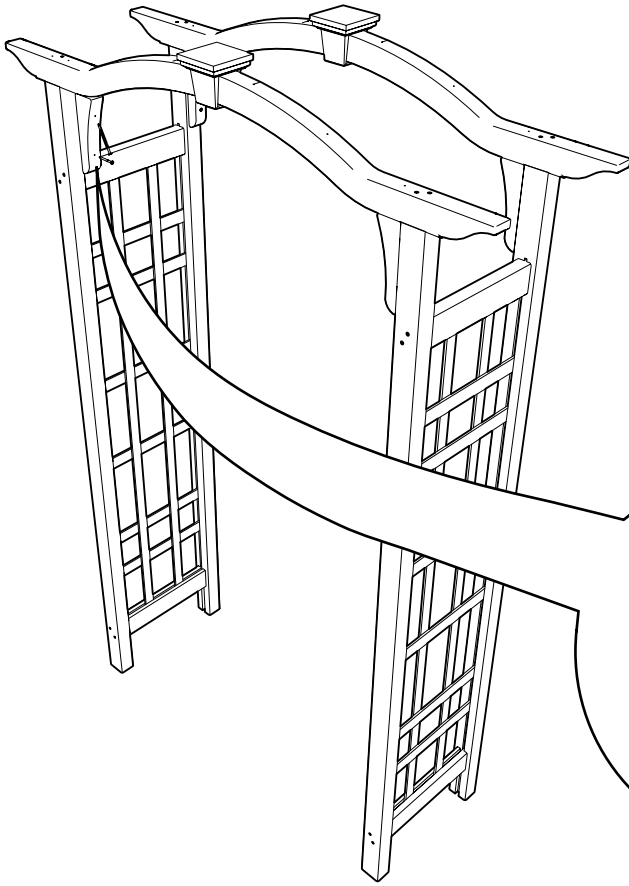
# 2

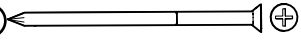
20070 - X8

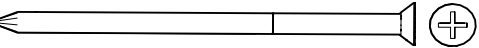
(E)



# 3

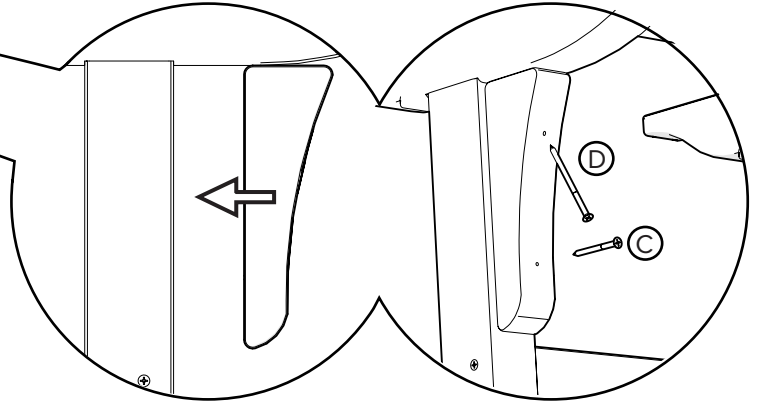


20068 - X4 (C) 

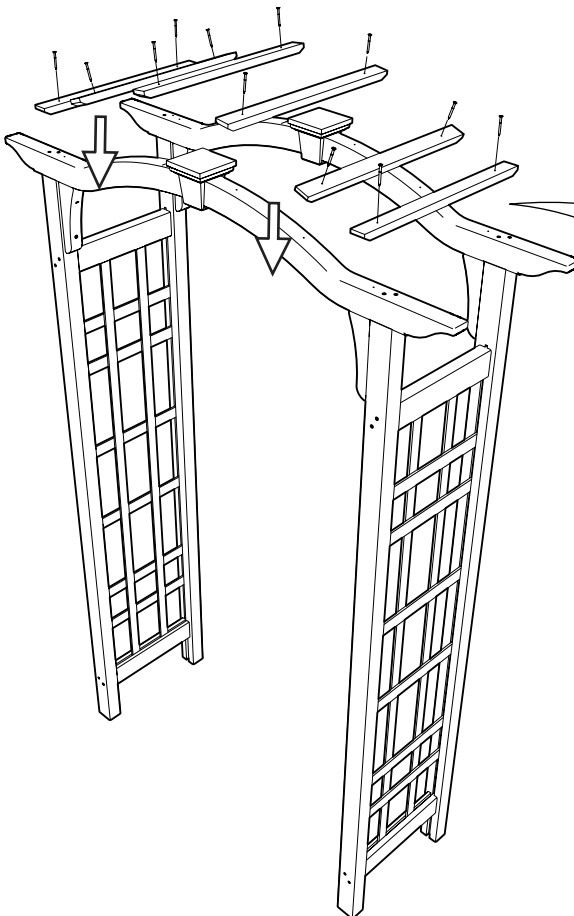
20069 - X4 (D) 

12005 - X4 

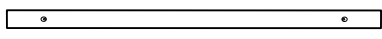
Brace should be in the center of the post.  
Screw (D) in first, then (C)

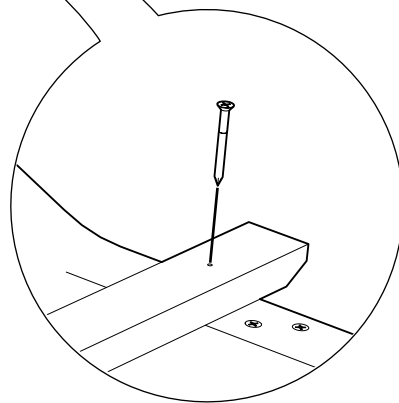


# 4







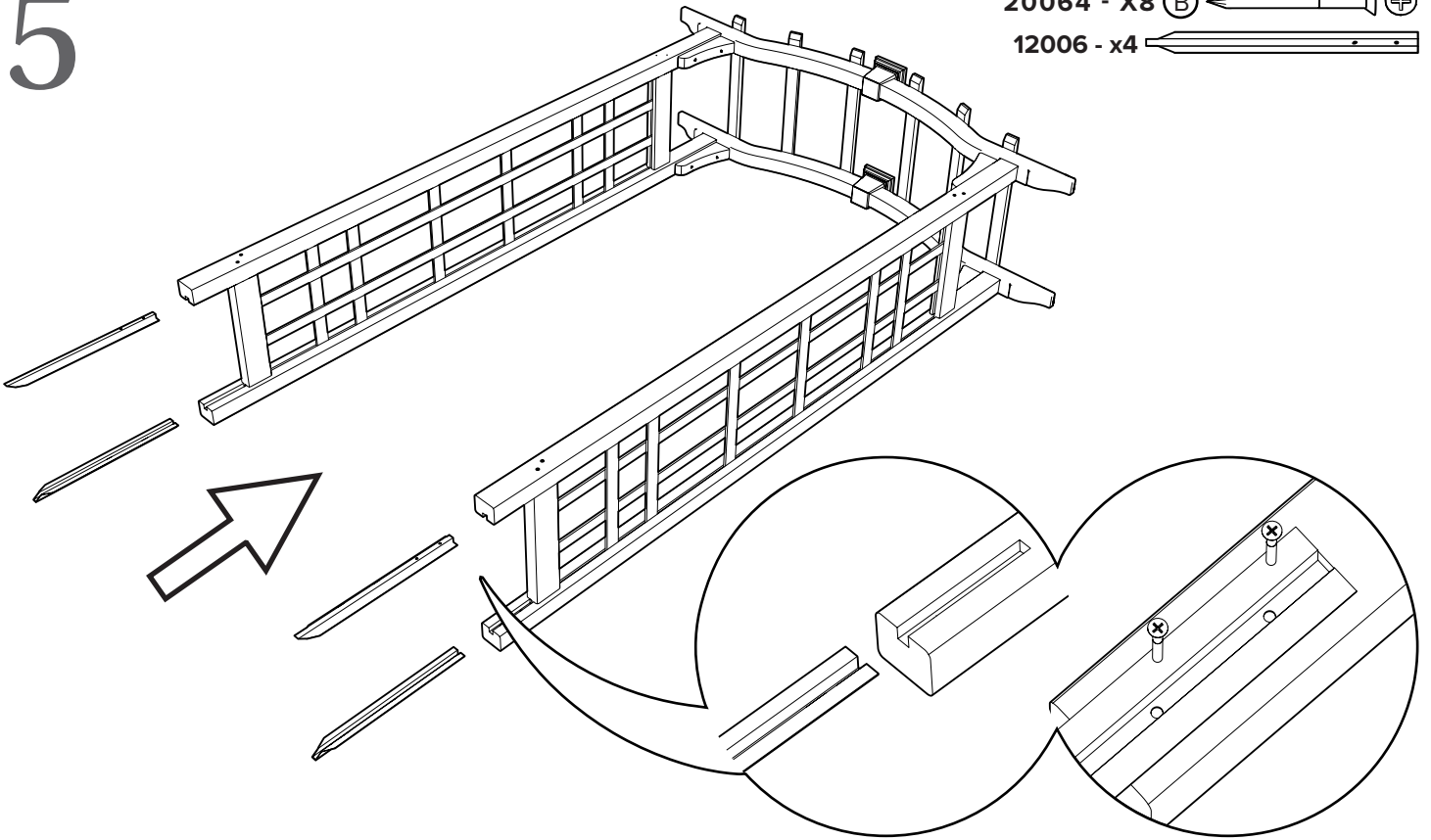
20037 - X12 (A) 

12007 - X6 

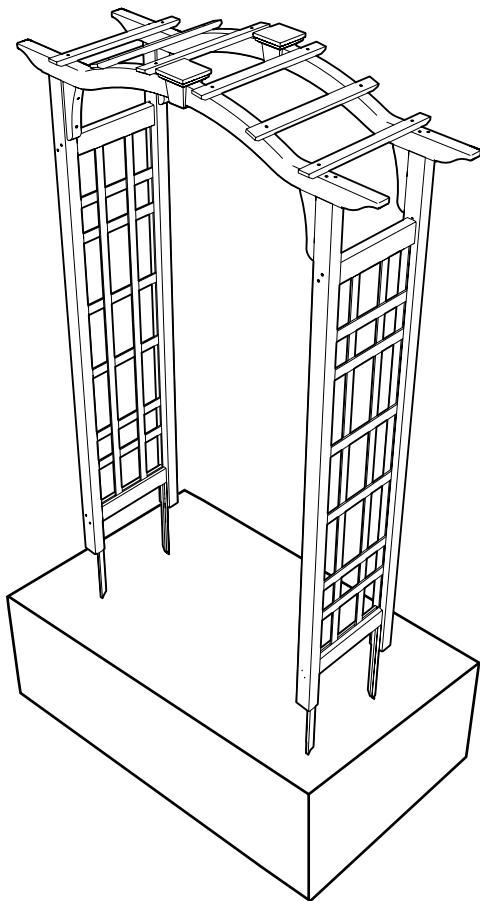


5

20064 - X8    
12006 - x4  



6



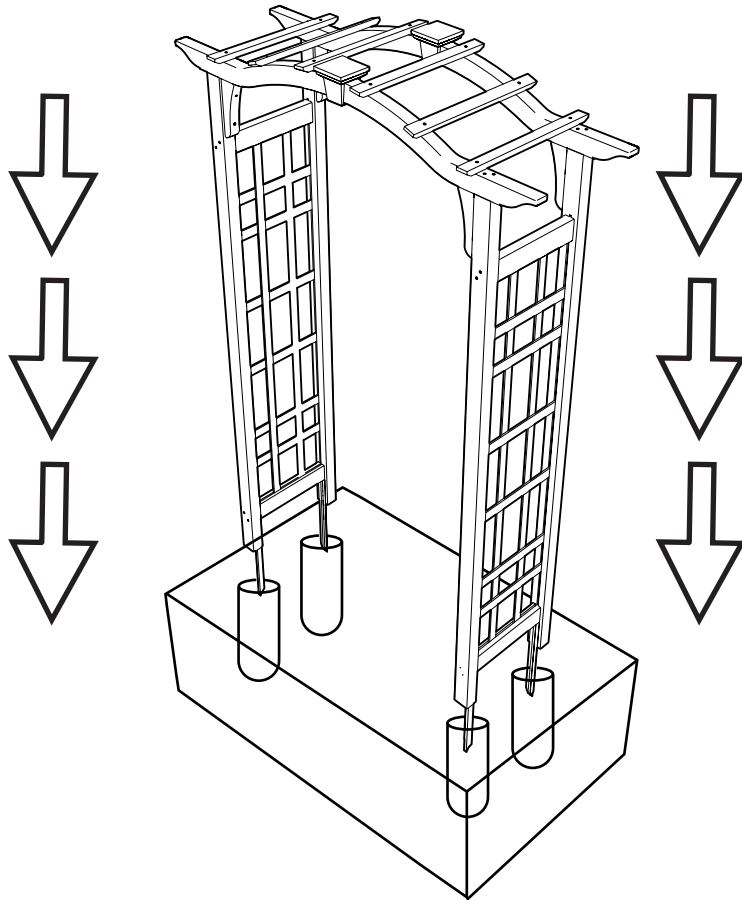
**A**

Temporary Installation

Carefully push arbor  
stakes into desired  
ground area



# 7



# B

## Permanent Installation

For a permanent installation, measure four 8in holes in diameter, 44 1/2in (113cm) apart by 15 1/2in (39.4cm), from center to center. Dig each hole 14in (36cm) deep.

Fill excavated holes with mixed concrete and carefully lift arbor into place. Plumb and level the arbor.

The posts should not be set in the concrete.

Make sure to support bottom part of lattice with bricks until concrete has set. This will stop your arbor from sinking.

