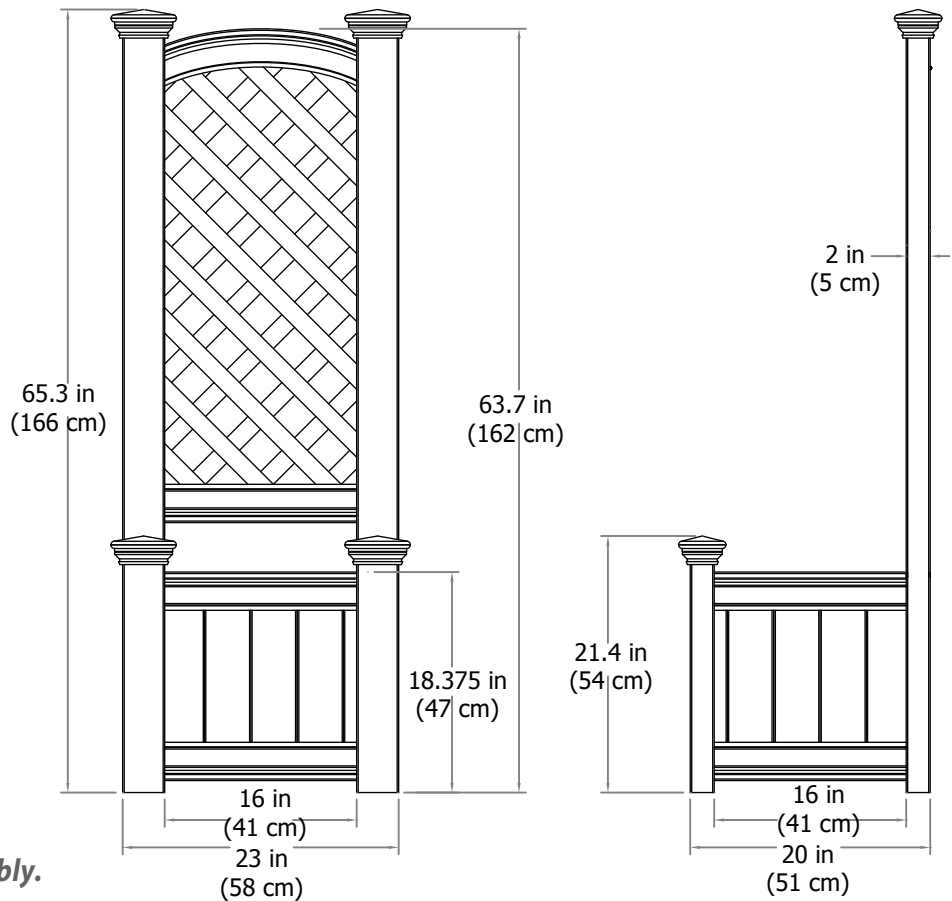
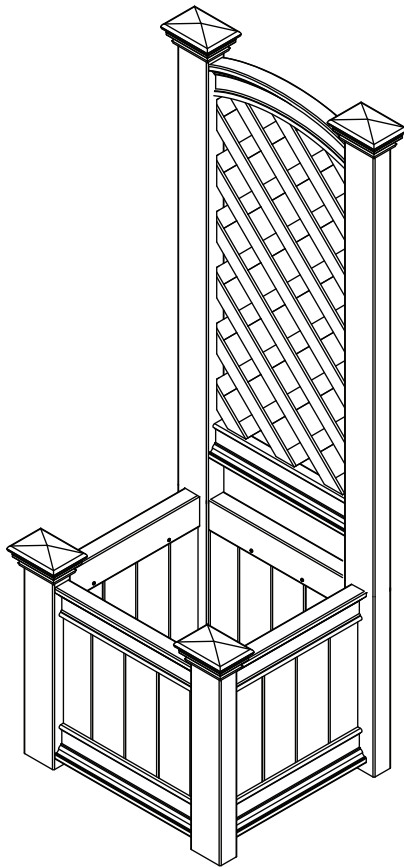


# ASSEMBLY INSTRUCTIONS

## The Kensington Planter Box & Trellis



*Please read through before starting assembly.*

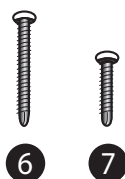
### Check Box for These Contents

In the event of missing or defective parts please call our customer service dept. at **1 800 282 9346** (Mon. to Fri. 8:00 AM to 5:00 PM EST).

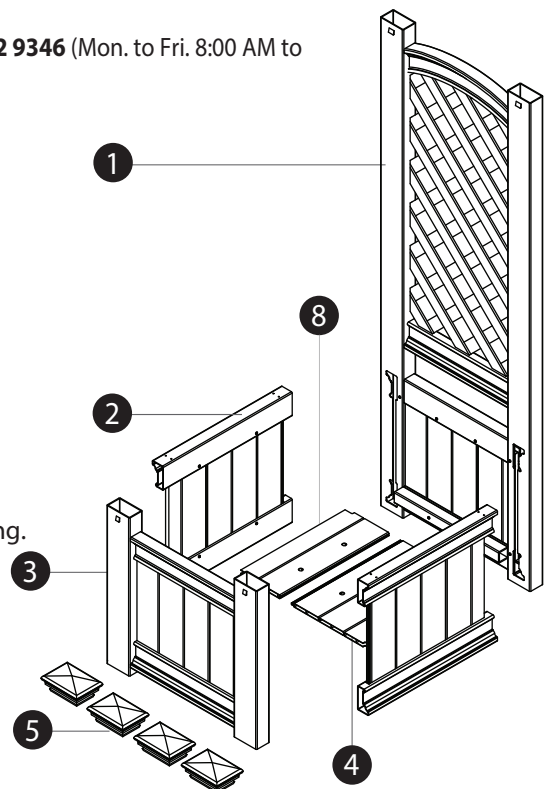
1. Pre-Assembled Back Panel with Trellis (1) - 10895
2. Pre-Assembled Side Panels (2) - 10896
3. Pre-Assembled Front Panel with Posts Connected (1) - 10894
4. Wide Floorboard (1) - 10897
5. Post Caps (4) - 10611
6. 2 1/2" (64 mm) Stainless Steel Screws (4) - 20009-1
7. 1 1/2" (38 mm) Stainless Steel Screws (8) - 20005
8. Narrow Floorboard (1) - 11232

### General Information

- **Read Instructions through carefully before beginning assembly.**
- When assembling components, place on a non-abrasive surface (i.e. shipping box) to avoid scratching.
- We recommend an area approx 4'x 8' (1.2 m x 2.4 m) for unobstructed assembling.
- You should not need to use excessive force when assembling components.
- All screws are self-tapping, therefore no pilot holes are necessary on product.



Not to Scale



## STEP ONE

### Connect the Front & Back Wall to the Side Wall Panels

1

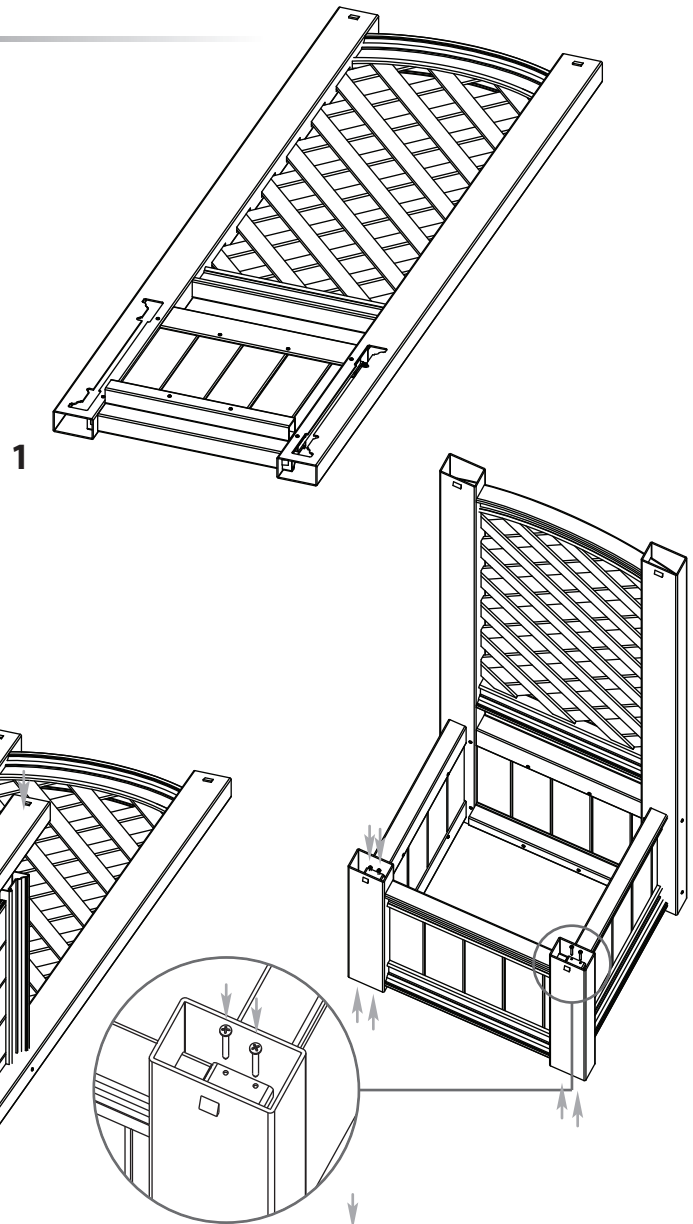
Layout front wall panel on the work surface.

2

Insert the side walls into the routed holes on the front wall panel posts. Push until the panel bottoms out. Fasten each panel with two 2 1/2" (64 mm) screws on the side of the trellis post as shown.

3

Fit the front wall panel over the side walls. Push until the panels bottom out. Using the 1 1/2" (38 mm) screws provided, secure the side wall panels into the front wall panel with 2 screws at the end of the rails. Screws should only be drilled in half-way so that panels do not pull out of the posts when under stress.



## STEP TWO

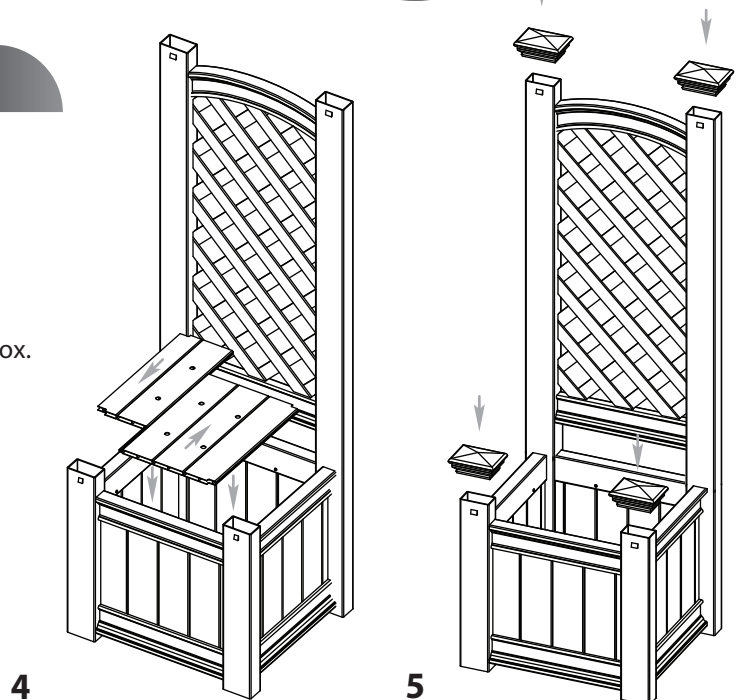
### Install the Floor Boards and Post Caps

4

Slide the floorboards together and place inside the planter box.

5

Install the four post cap to the four posts as shown.



**vita**