

B⁺ VANITY

Talia Bathroom Vanity with Sivec Countertop and Sink INSTALLATION GUIDE



TALIA 42"

bvanity.com

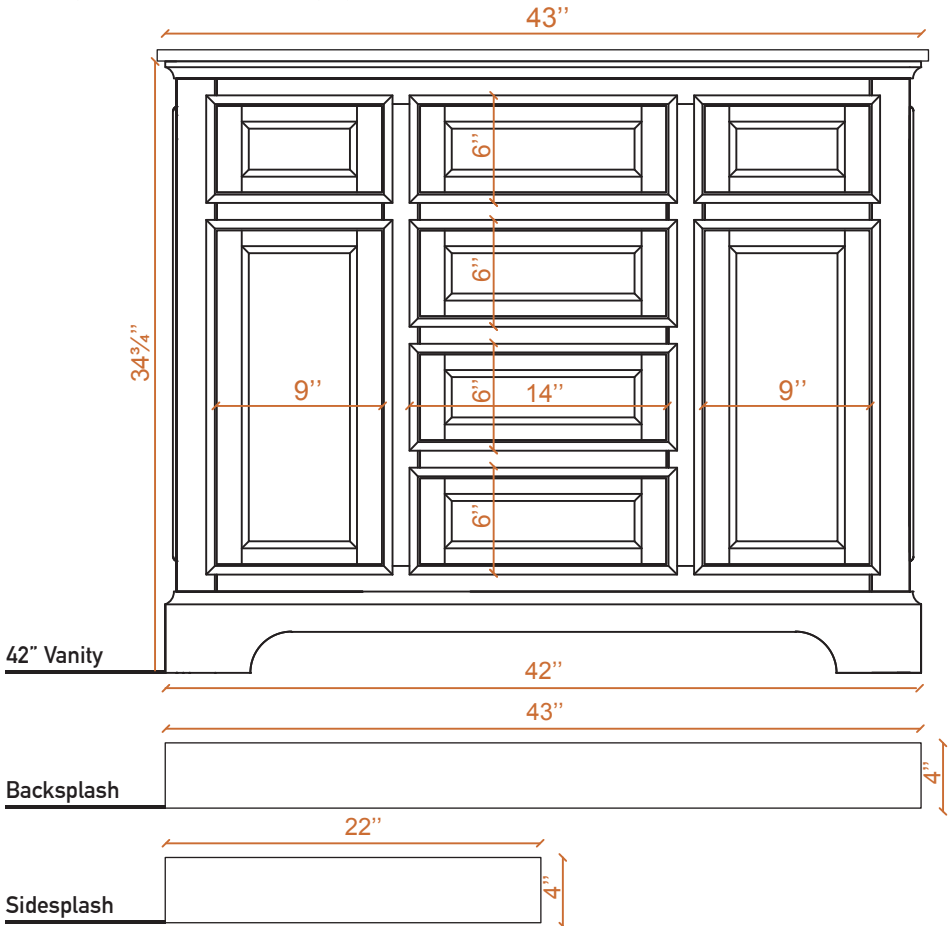
READ THOROUGHLY THE HERE UNDER MENTIONED INSTRUCTIONS BEFORE UNPACKING THE PRODUCT!

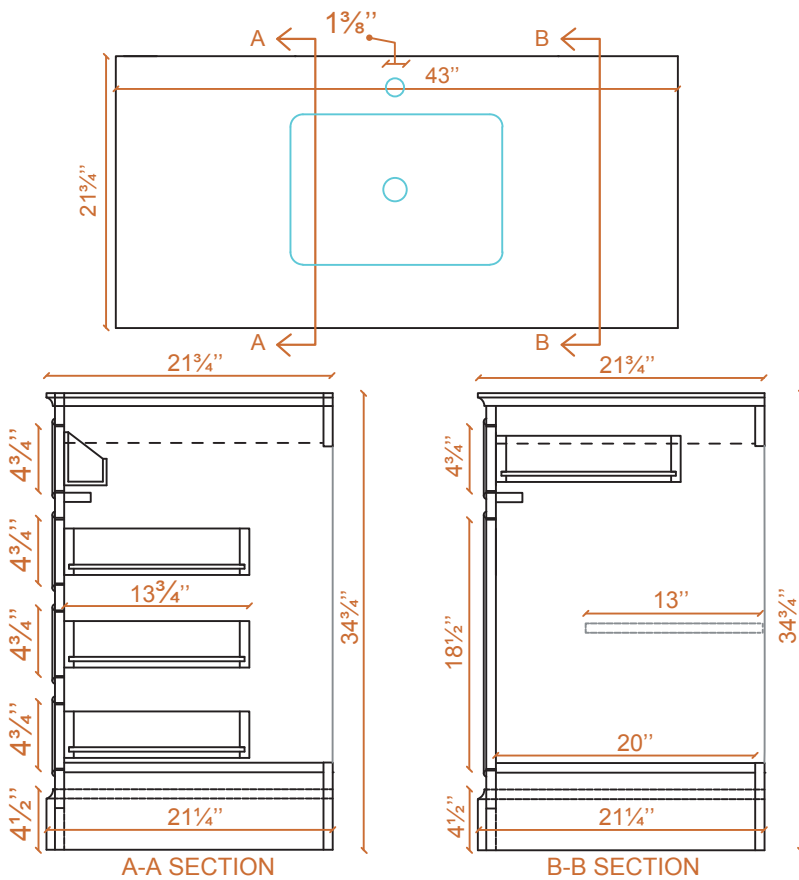
WRONG HANDLING OR INSTALLATION MIGHT RESULT IN DEATH AND/OR SERIOUS INJURY.
FOR SAFE INSTALLATION, FOLLOW THE FOLLOWING INSTRUCTIONS.
THE PRODUCT SHALL BE CARRIED BY TWO PERSONS EVEN DURING THE ENTIRE
INSTALLATION PROCESS, YET CARRY ON EDGE TO AVOID DAMAGE!
USING HEAVY-DUTY WORK GLOVES IS STRONGLY RECOMMENDED
THROUGHOUT THE INSTALLATION PROCESS!

CAUTION!  **TWO PERSON LIFT REQUIRED**

2 PEOPLE ARE REQUIRED TO LIFT THIS PRODUCT AND DURING THE ENTIRE INSTALLATION PROCESS 240lbs

- Talia Vanity shall be installed by 2 adults taking into account its size and dimensions.
- The installation area shall be covered by a bathroom thick rug, mat, pad, and/or a carpet during the installation process; yet we recommend to cover the areas adjacent to it as a precautionary measure.
- We strongly recommend you not to bolt the vanity utilities particularly the screws shall be loose, nevertheless, the slight assembling and/or compatibility differences (if any) which could occur until you assemble all of them together simultaneously; afterwards you can tighten the utilities into the vanity and screws into the wall.
- Do NOT get rid of any of the packaging and instructions until you double-check all of the utilities and hardware.





Thank you for purchasing the TALIA VANITY

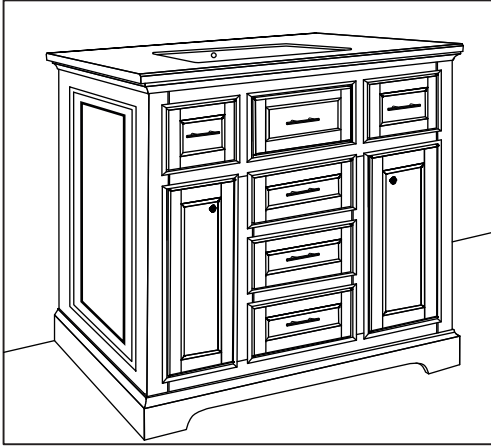
BVanity SIVEC MARBLE Through history and since 500 BCE and due to its dazzling color and homogenous form, Sivec marble has been the main stone of the artistic Roman and Greek sculptures, kings and emperors castles; yet, up to today still being the main marble of modern mansions and homes all along. Feel the polished sandy touch of our candid color Sivec marble which adds a vibrant style to your bathroom along with the woody and earthy smell of modernly designed wood cabinet.

PRODUCT DESCRIPTION

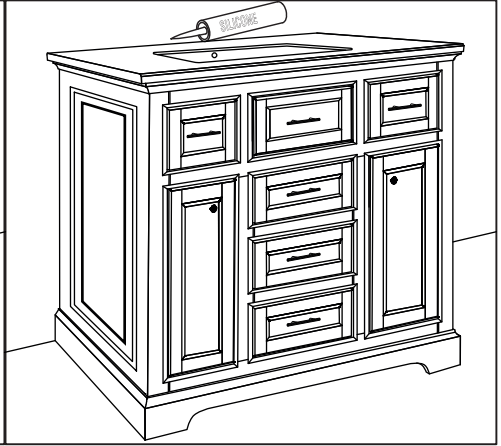
- * Sivec marble countertop
- * 42" x 34" bathroom vanity along with 36 3/4" inner storage space cabinet
- * Undermount porcelain Sink
- * Adjustable shelf, a sink tilt-out tray extension, soft-close drawer, besides a decorative toe-kick.
- * BVanity provides your vanity with a wooden stretcher to be fastened to the wall with drywall screws, thus cabinet brackets are unneeded.

INSTALLATION TIPS

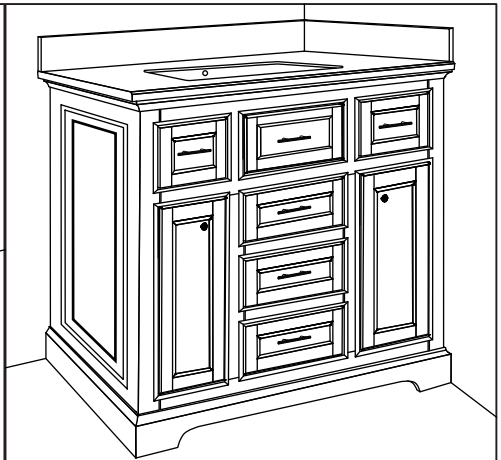
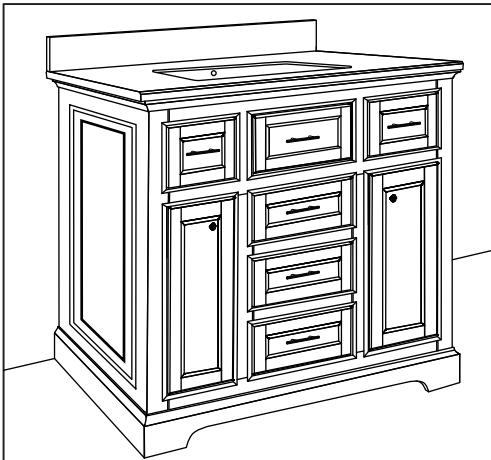
Before you initiate the installment, read the here under mentioned tips which run in a chronological sequence from unpacking to final inspection:



Place the vanity in your bathroom. Reach the drawers and you shall find the handles inside the drawers; detach and install appropriately in place.



Apply silicone caulk to attach the backsplash.



The vanity is designed to be installed anywhere in your bathroom provided that, plumbing system is installed too. Yet, If you wish to place the vanity in a corner, you ought to apply silicone caulk to attach the sidesplash. Then install your single faucet in the appropriate hole.

CARING FOR YOUR BATHROOM VANITY INSTRUCTIONS

BVANITY strongly advise you to NOT place any hot objects on the marble countertop to keep it safe from potential harm. Caring for your vanity cabinet, we strongly advise you to use a damp soft cloth to clean the wood surfaces, doors, and cabinet interiors. Moreover, not to ram your product, you ought to only use the cleaning products used for such materials. Caring for your marble may be conducted through cleaning it with a damp soft cloth. In case of you spill grease, oil, paint, and/or ink; we advise you to use rubbing alcohol to clean and remove the foregoing mentioned types of stains. Due to the significant characteristics of Sivec marble, rarely scratches or stains would occur to the surface; but, in case it happen, you can easily remove them with a liquid car polish.

Do NOT use abrasive cleaners, scrapers, metal brushes, or any items/products that would scratch and/or ram and dull the surface. Do NOT allow surface to come into contact with acetone nail polish remover, dry cleaning solutions, lacquer thinner, gasoline, or any other similar products which would ram your product. If you have any further questions regarding the installation process, we're pleased to help you. Call your sales associate at BVANITY store.