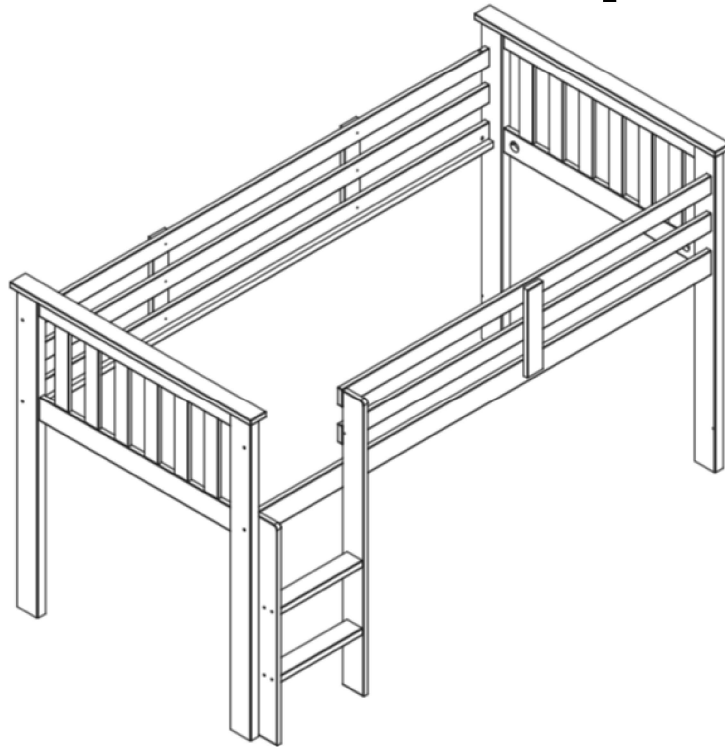




Assembly Instructions

Milo Mid Sleeper



Important before assembly:

Read these instructions carefully before assembling or using the product.

Please check the contents of the boxes before attempting to assemble this product. The instructions will have a checklist of parts and fittings.

It would be sensible to lay a rug or a carpet on the floor where you intend to assemble the product, to void scratches and damaging the product or the floor.

Assemble the product as close to its intended final location/room as possible.

Do NOT use any power tools as this may damage the frame.

Health & Safety:

This product or some parts of this product will be heavy. Please use an assistant when lifting.

DO NOT jump on the product or any of its parts.

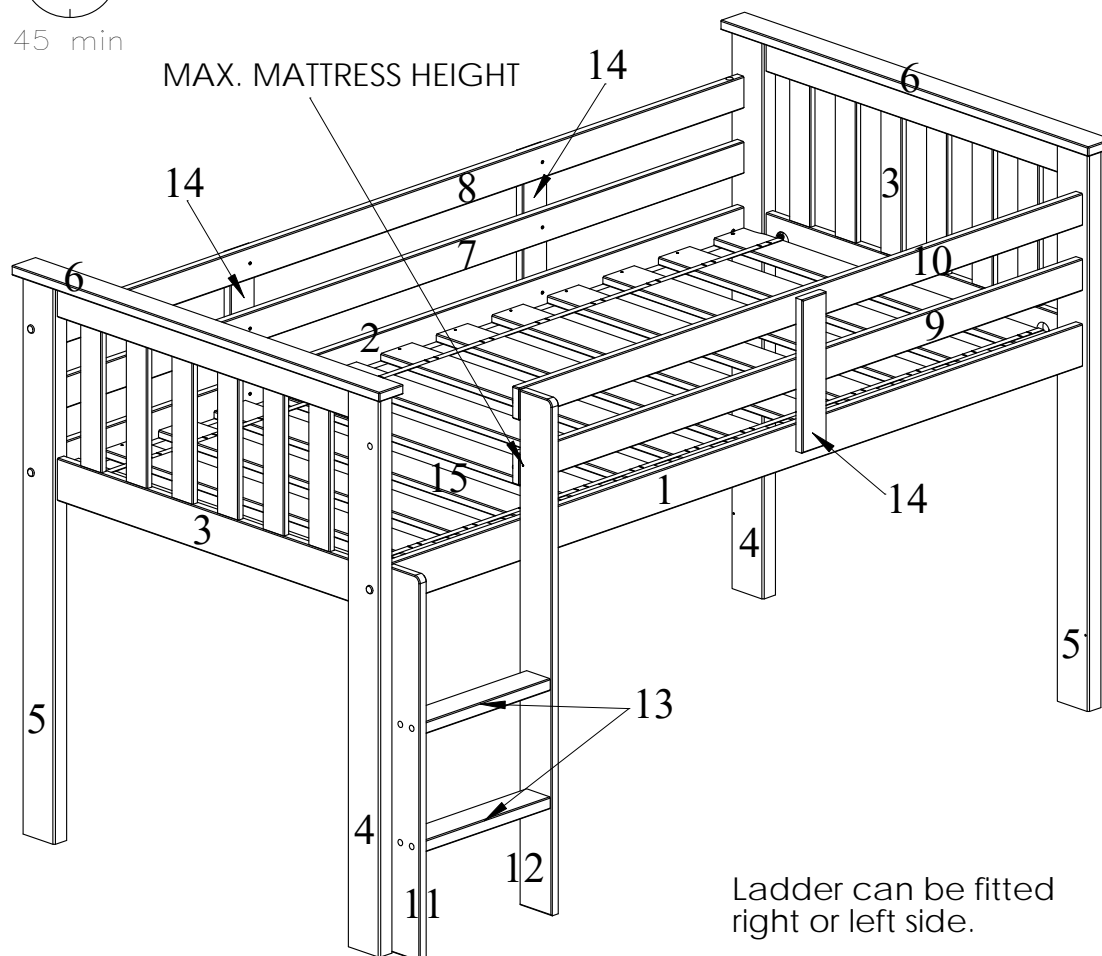
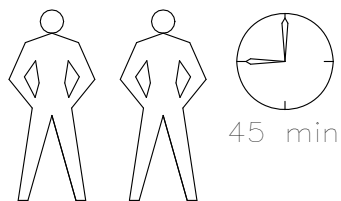
DO NOT use this product if any parts are missing, damaged or worn.

DO NOT use this product unless all fixings are secured.

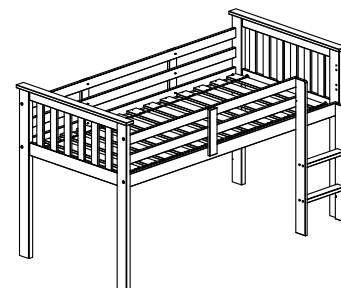
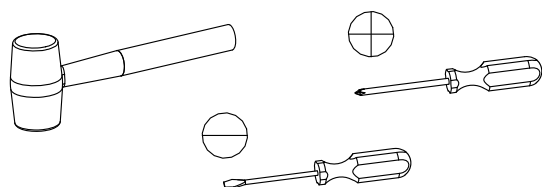
Please keep small parts out of reach of children.

Always use on a level, even surface.

Please keep these instructions for future reference.



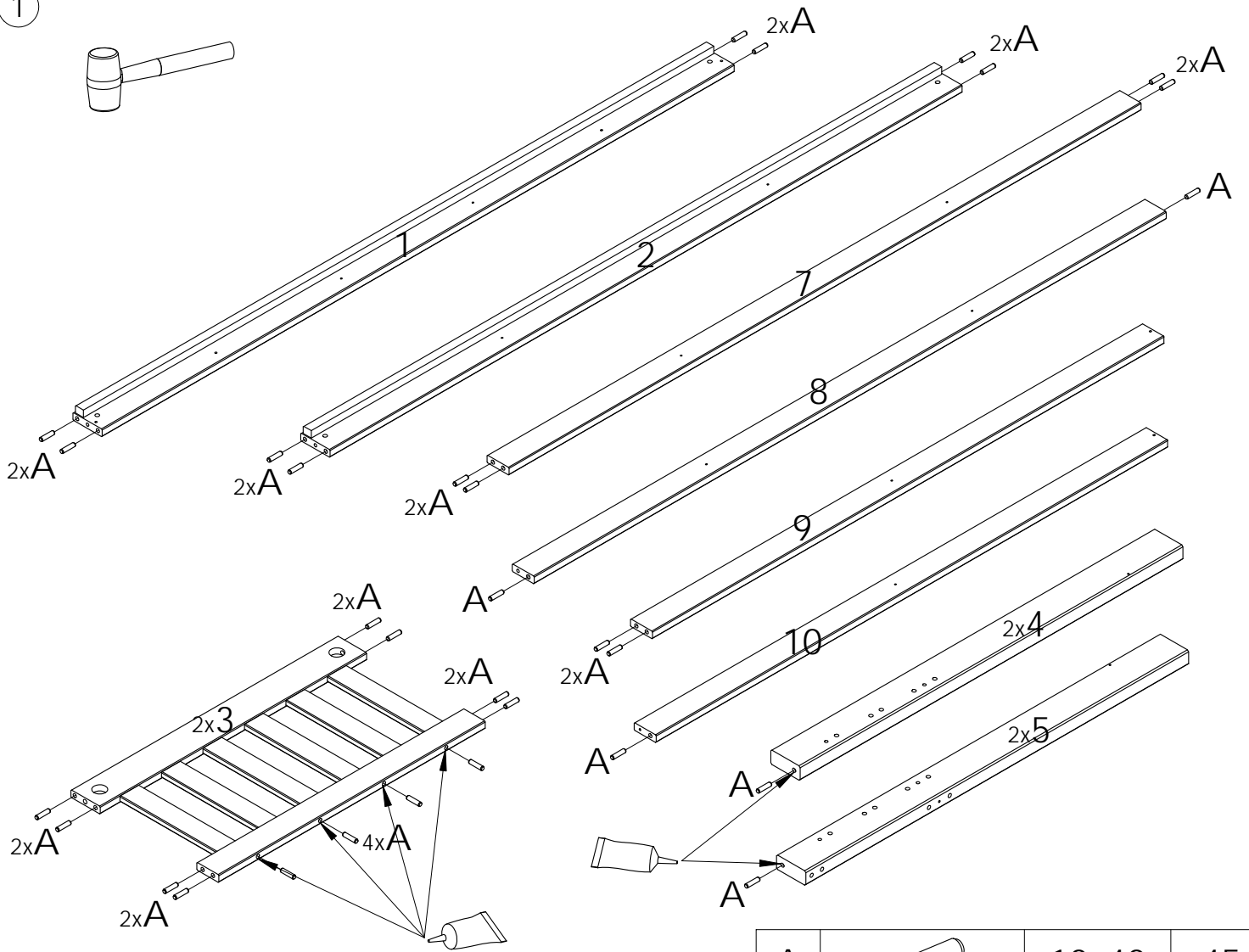
Tools needed (not supplied)



A		10x40	x45
B		7x50	x8
C		7x60	x4
D		D35	x4
E		M6x75	x6
F		M6x10x13	x6
G		6,3x70	x1
H		55x12,2x5	x4
J		4,2x35	x9

K		5x38	x1
L		3,5x40	x26
M		D4x13	x8
N		D8x13	x2
P		D10x15	x5
R		D15x18	x7
S		GLUE	x1
T		4mm	x1

1

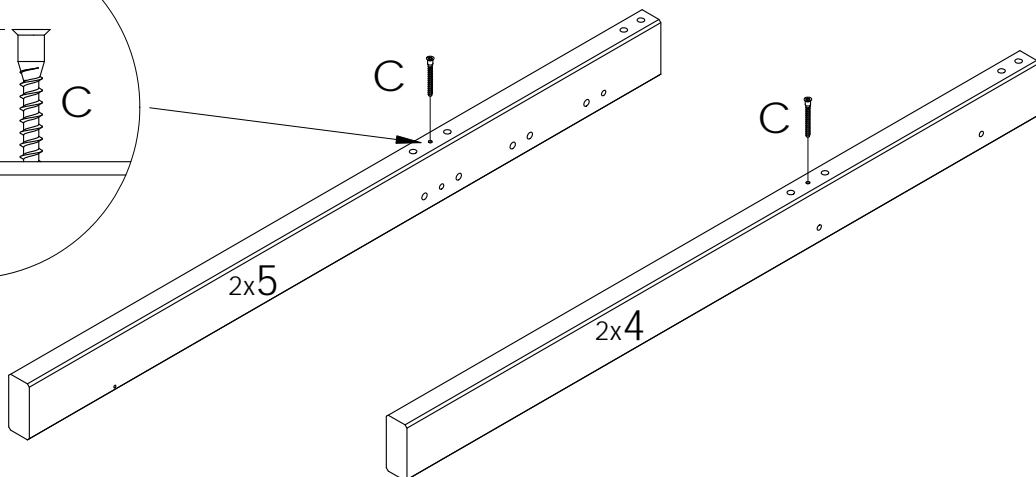
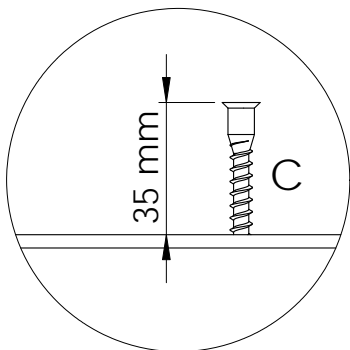


A		10x40	x45
---	---	-------	-----

2

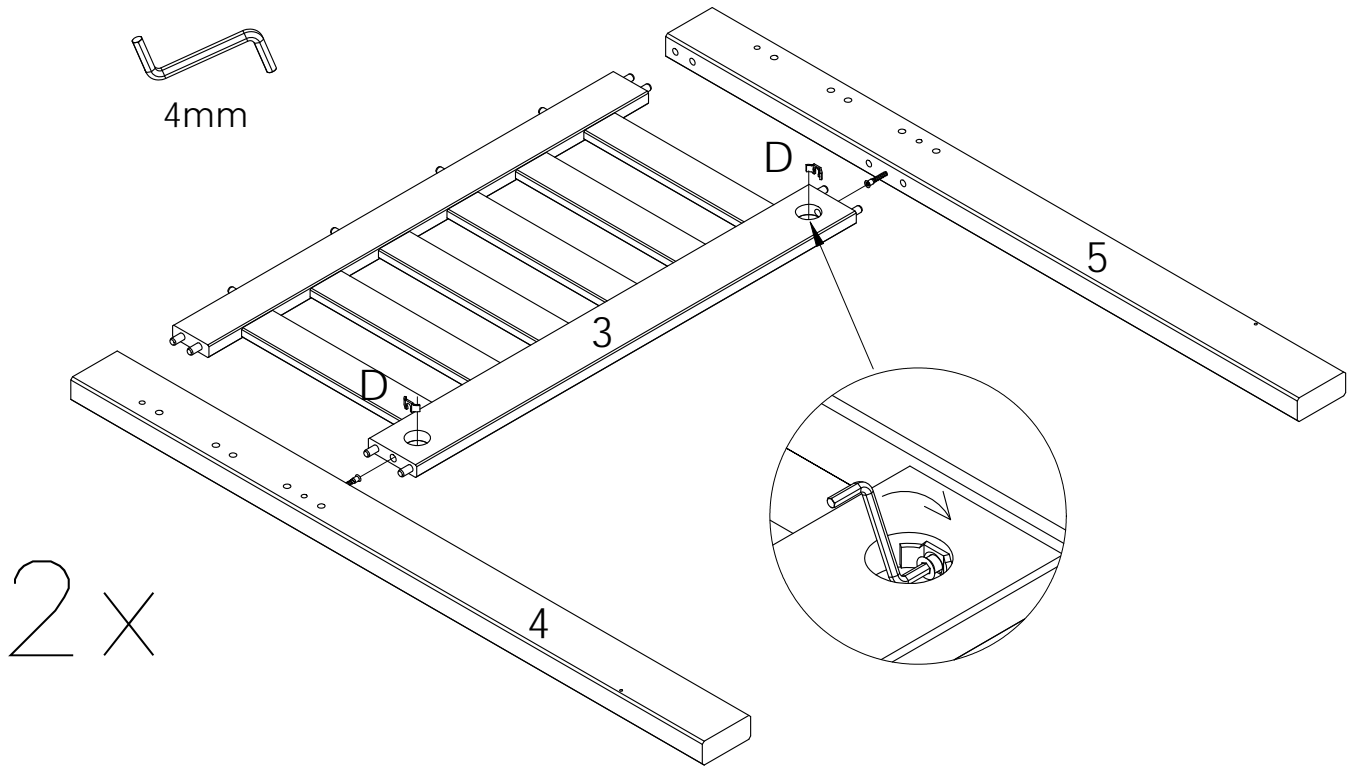


4mm



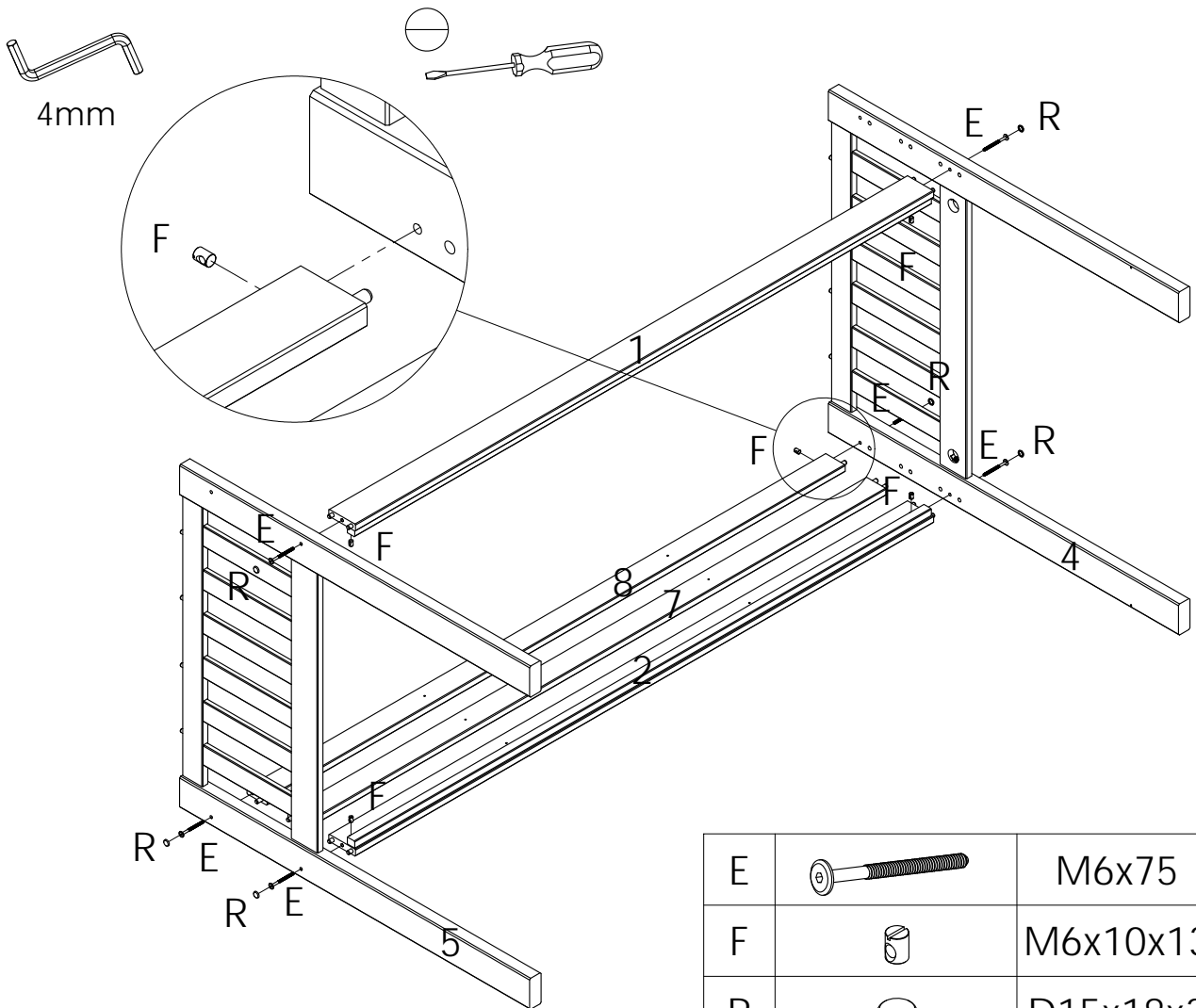
C		7x60	x4
---	---	------	----




3



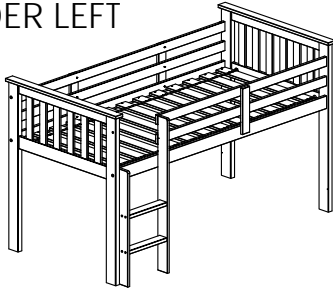
D		D35	x4
---	--	-----	----

4

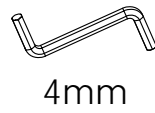
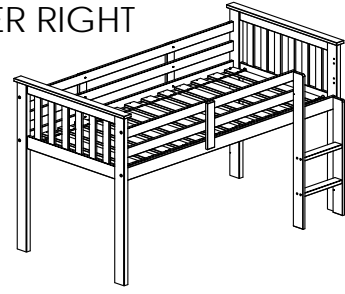


E		M6x75	x6
F		M6x10x13	x6
R		D15x18x3	x6

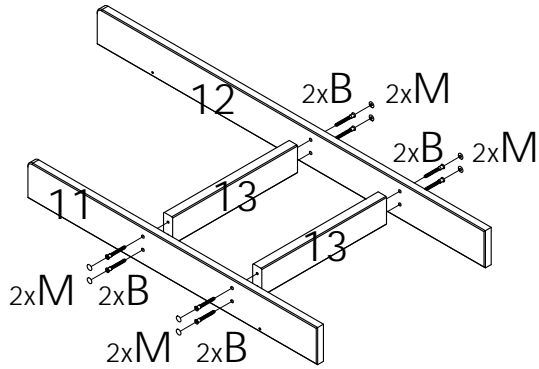
5 LADDER LEFT



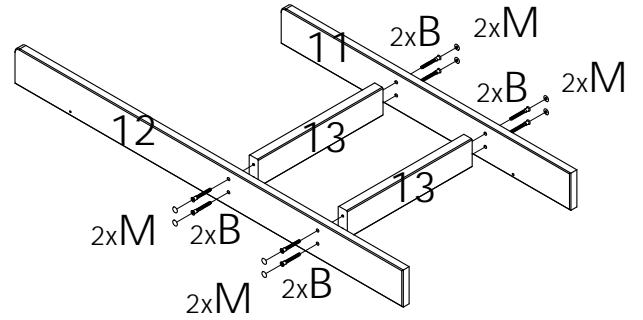
LADDER RIGHT



ASSEMBLING LADDER LEFT SIDE

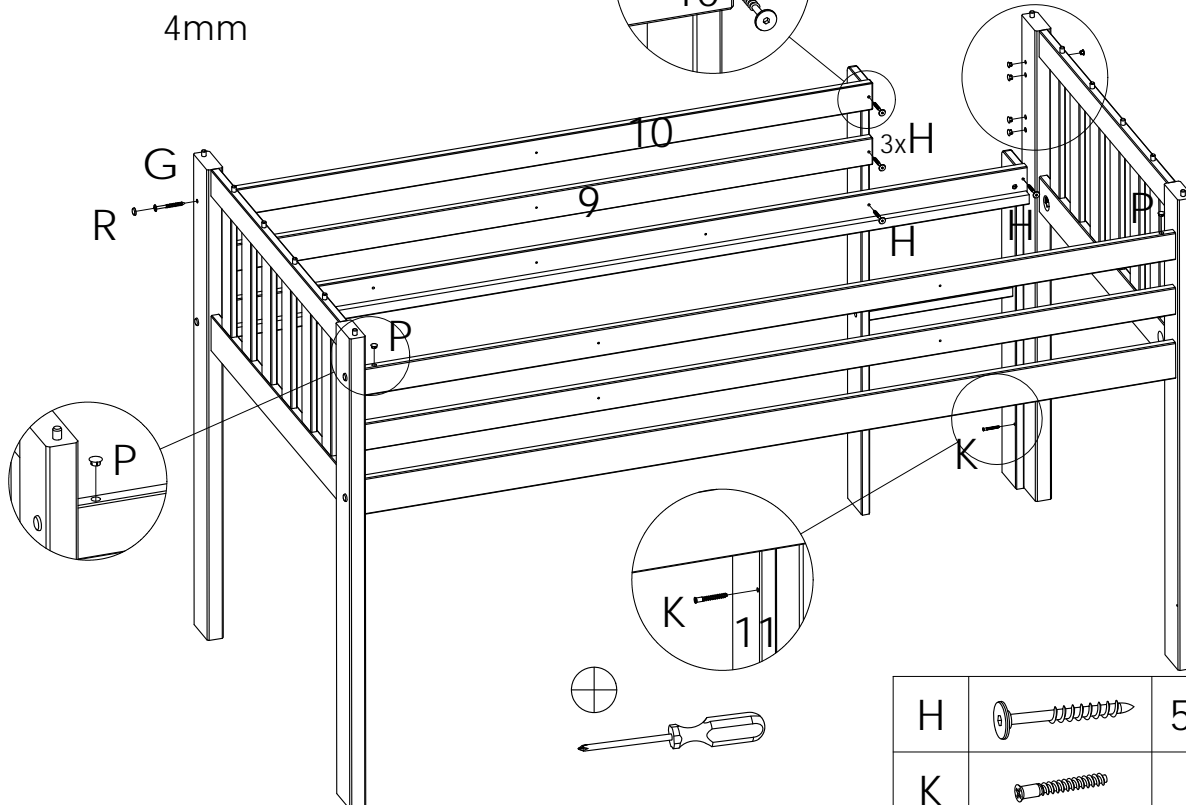
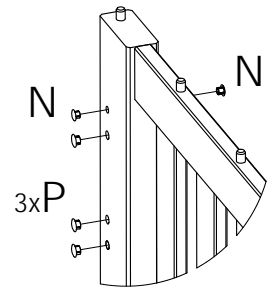
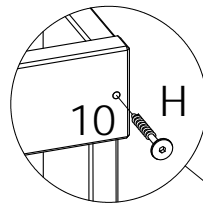
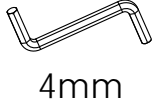


ASSEMBLING LADDER RIGHT SIDE



B		7x50	x8
M		D4x13	x8

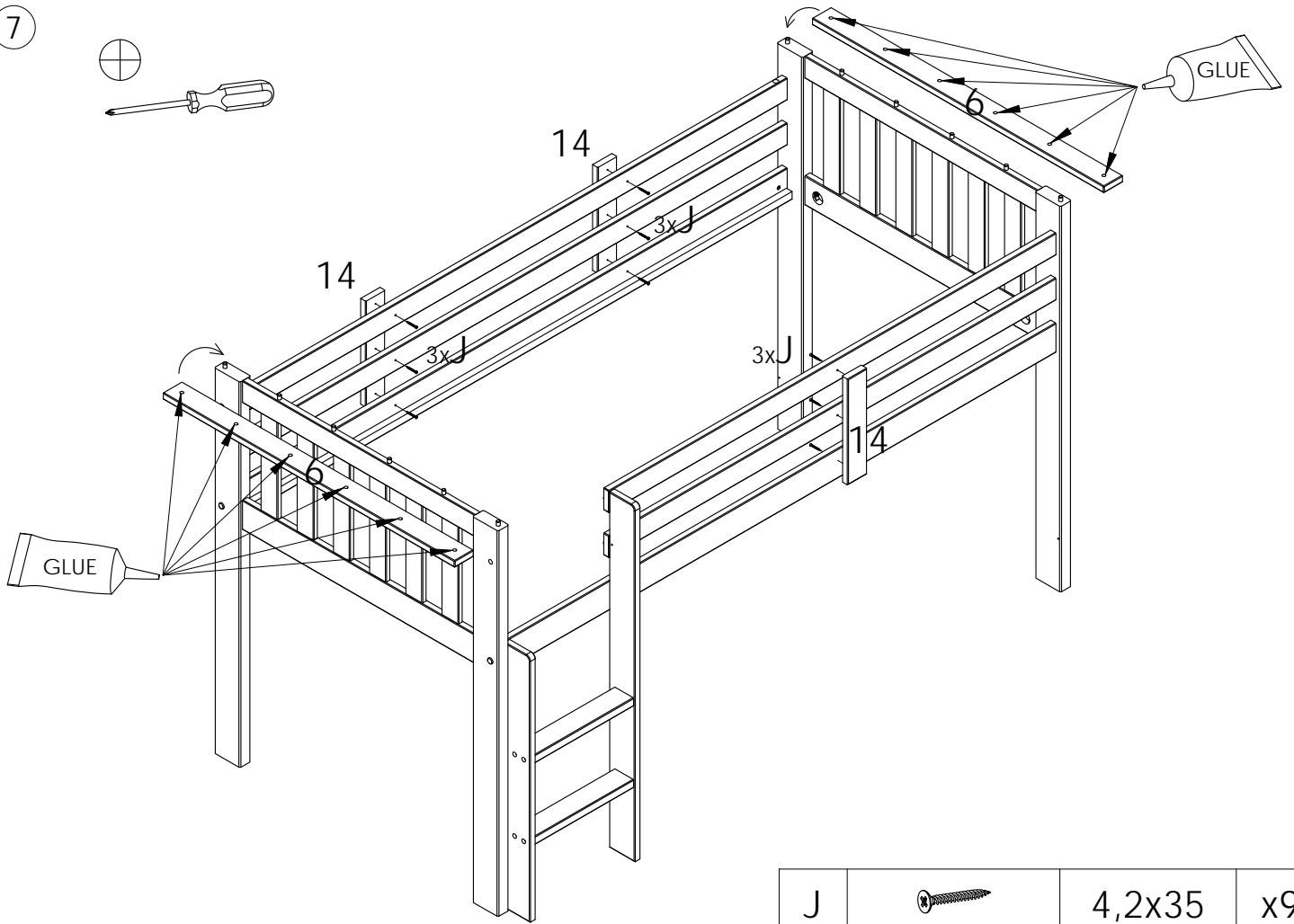
6



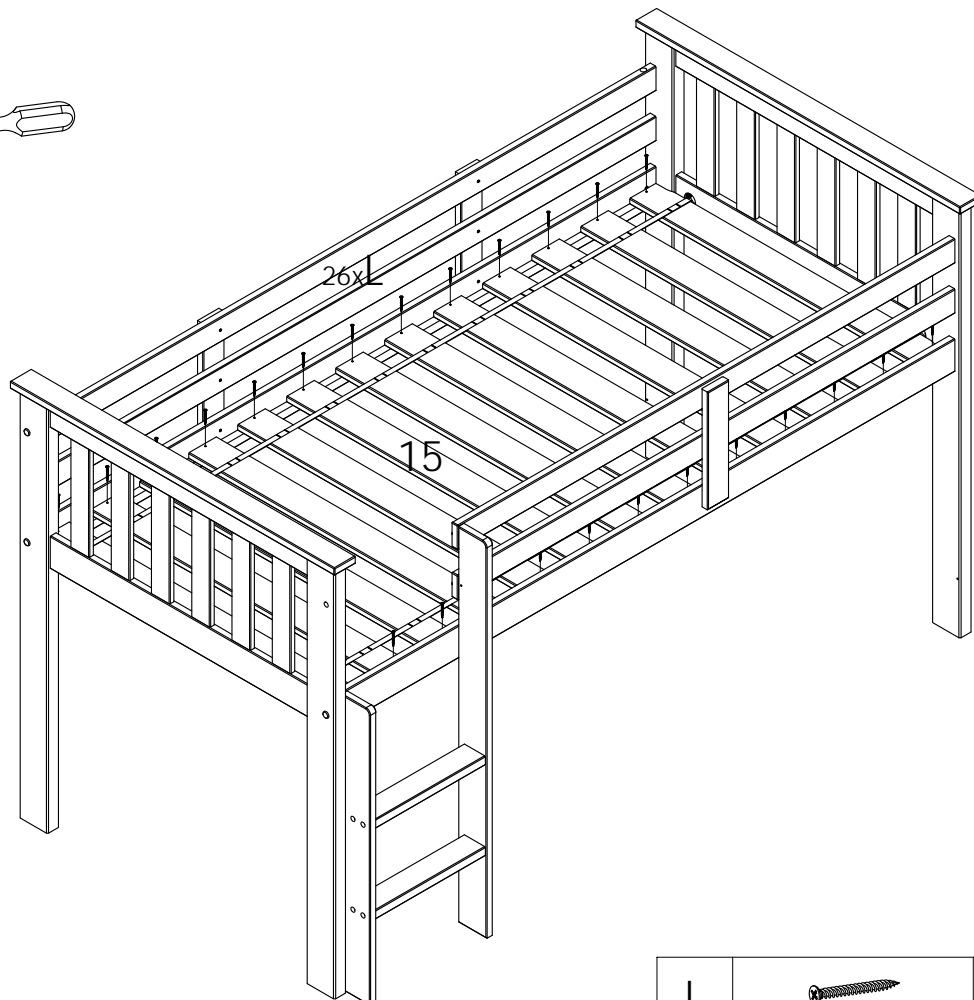
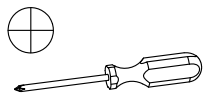
G		6,3,x70	x1
R		D15x18	x1

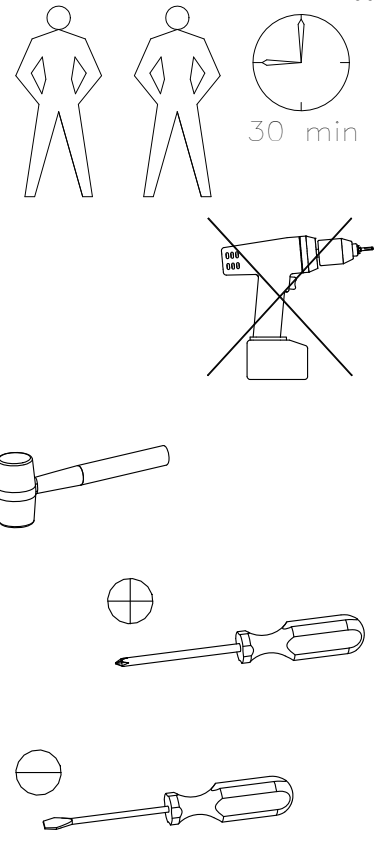
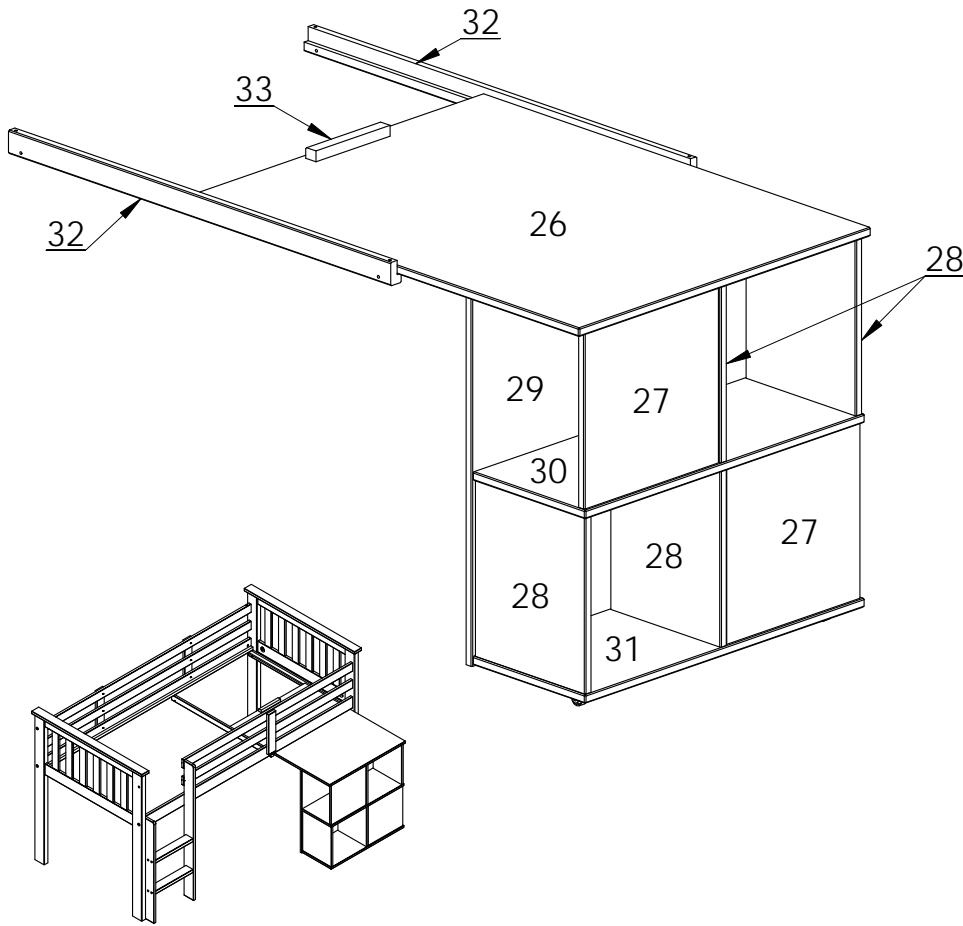
H		55x12,2x5	x4
K		5x38	x1
N		D8x13	x5
P		D10x15	x2

7



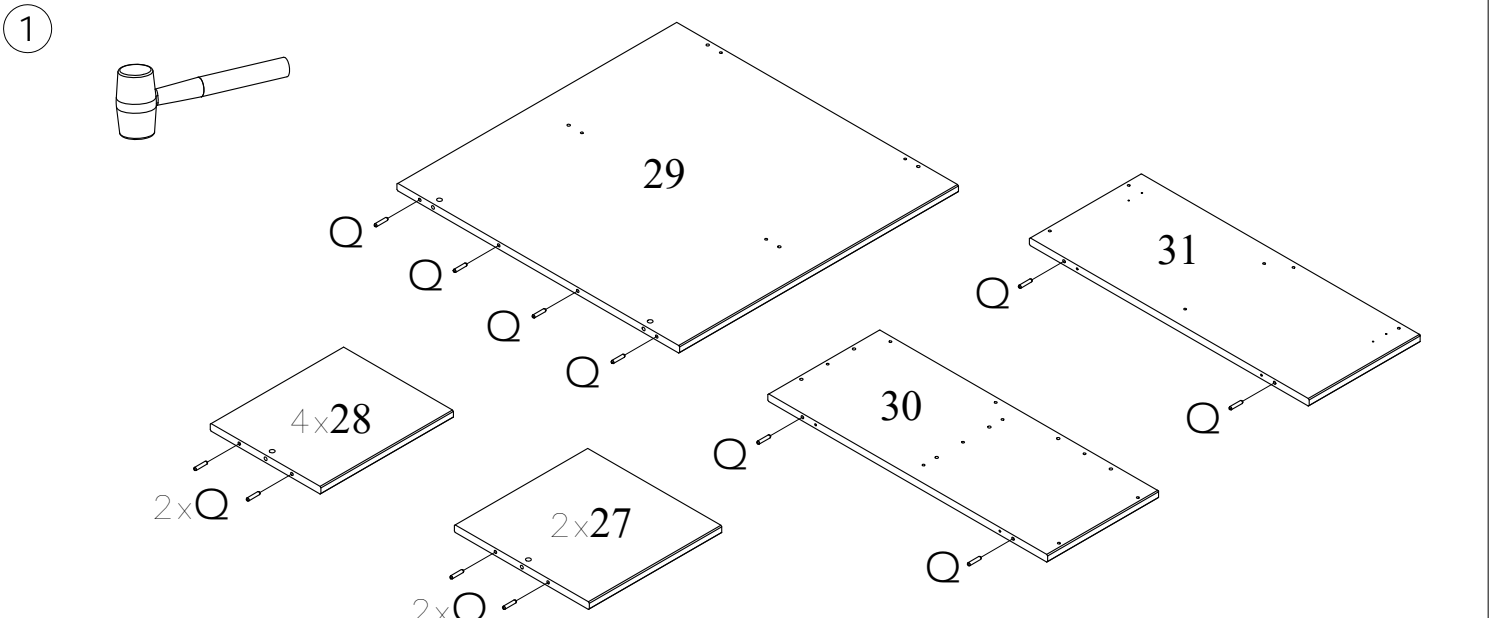
8





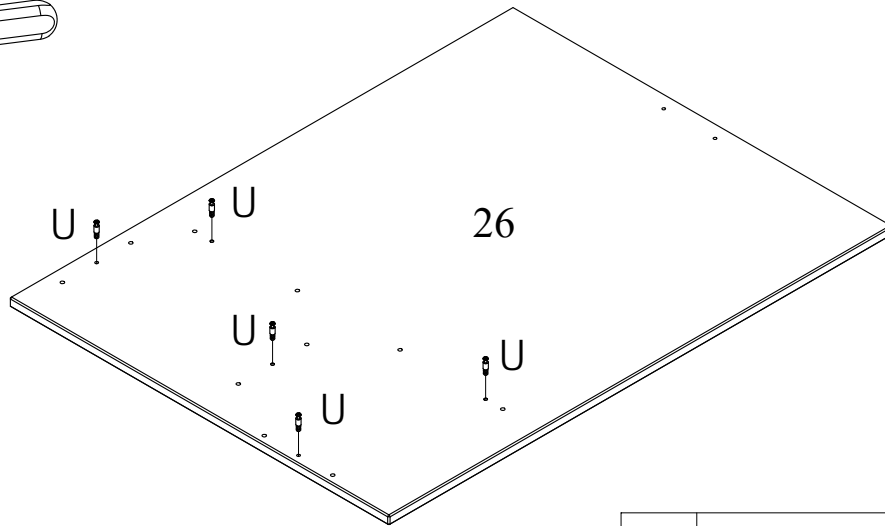
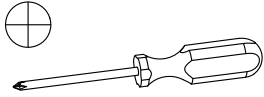
Q		6x30	x20
U		6,5x27	x8
V		10x11	x8
W		5x38	x16
Y		D28	x2


Z		3,5x16	x4
Aa		60x30x3	x2
Ba		4,5x50	x2
Ca		4,5x60	x2
Da		4,5x30	x2



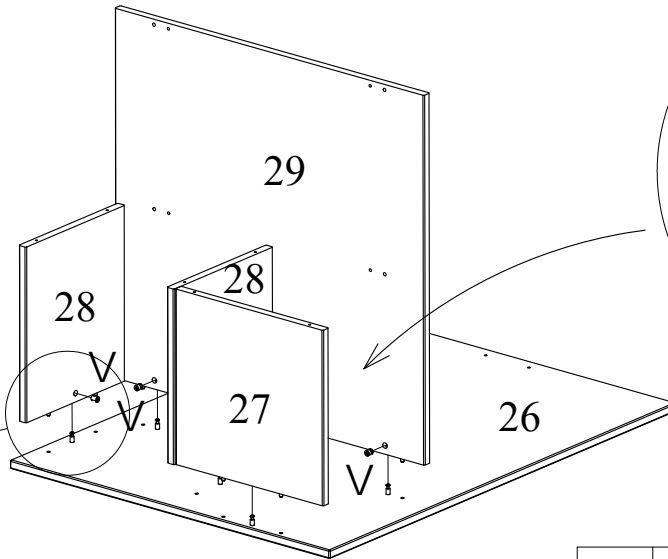
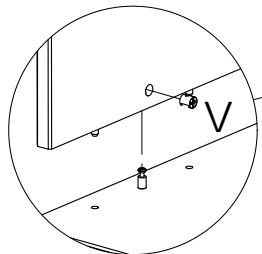
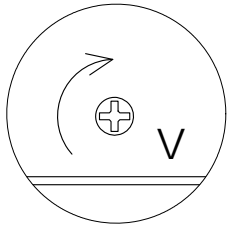
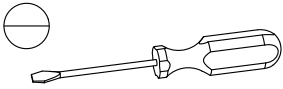
Q		6x30	x20
---	--	------	-----

②



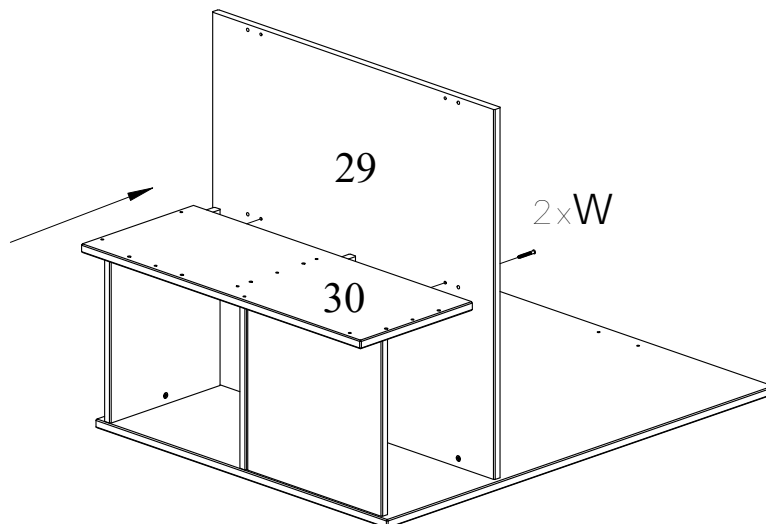
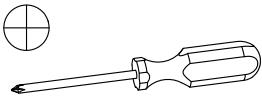
U		6,5x27	x5
---	---	--------	----


③



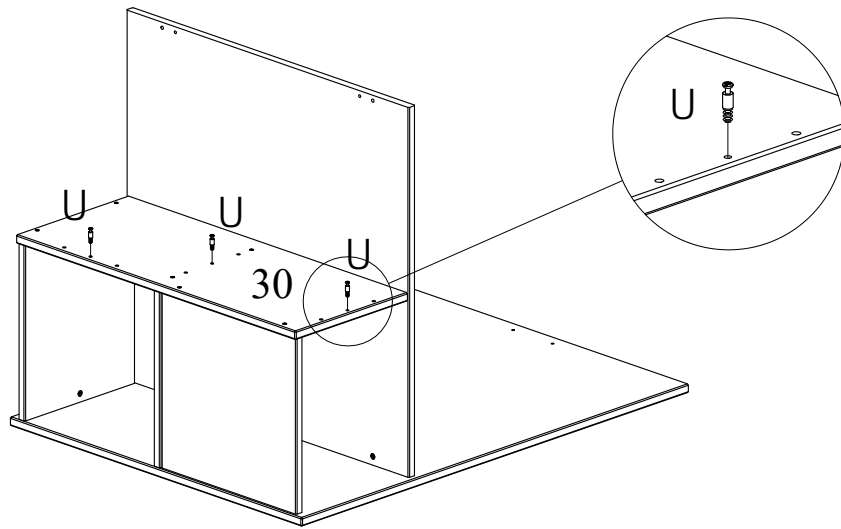
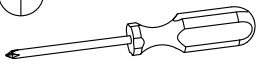
V		D10x11	x5
---	---	--------	----

④



W		5x38	x2
---	---	------	----

5



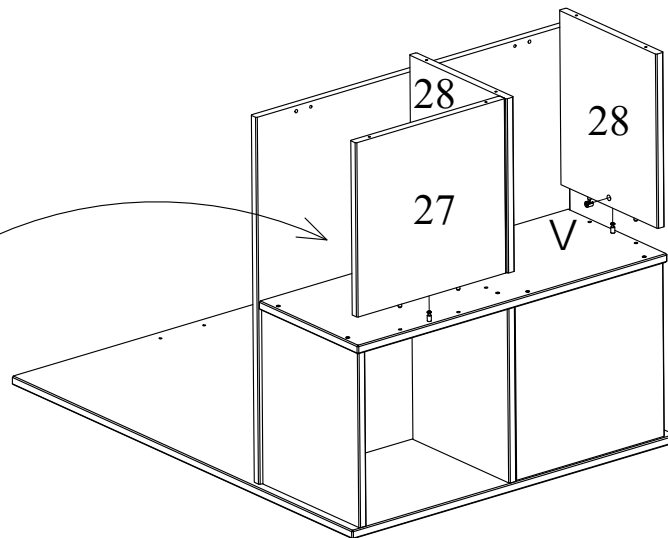
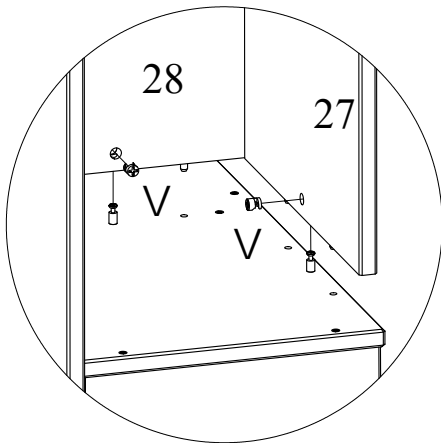
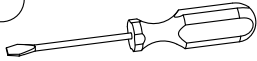
U



6,5x27

x3

6



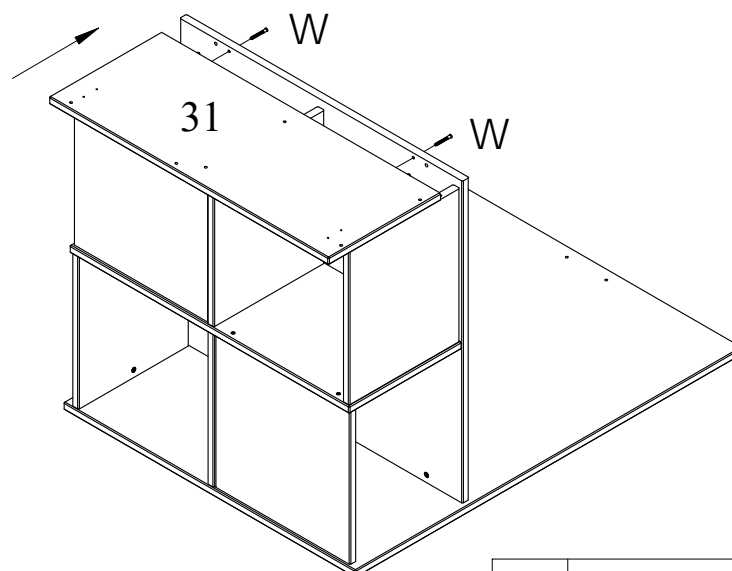
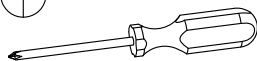
V



10x11

x3

7



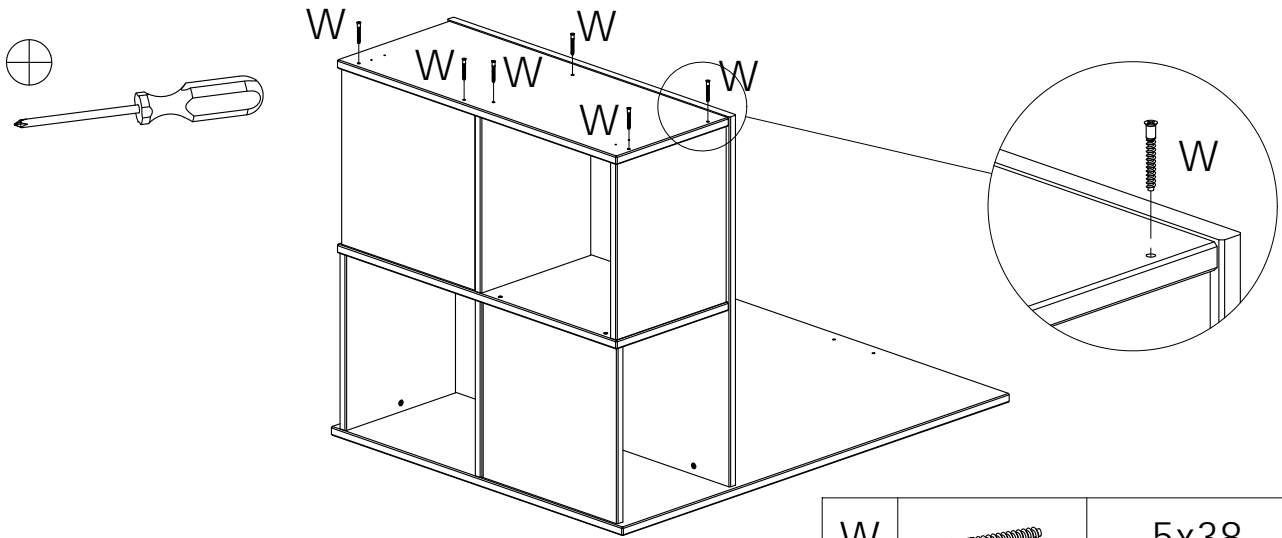
W



5x38

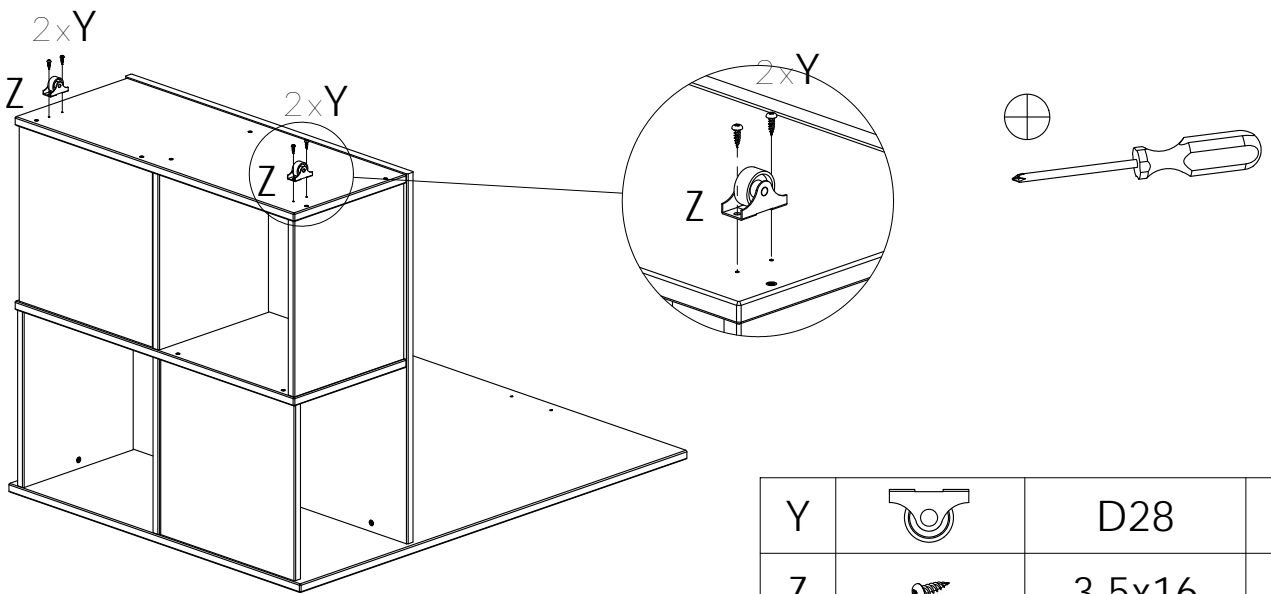
x2



8



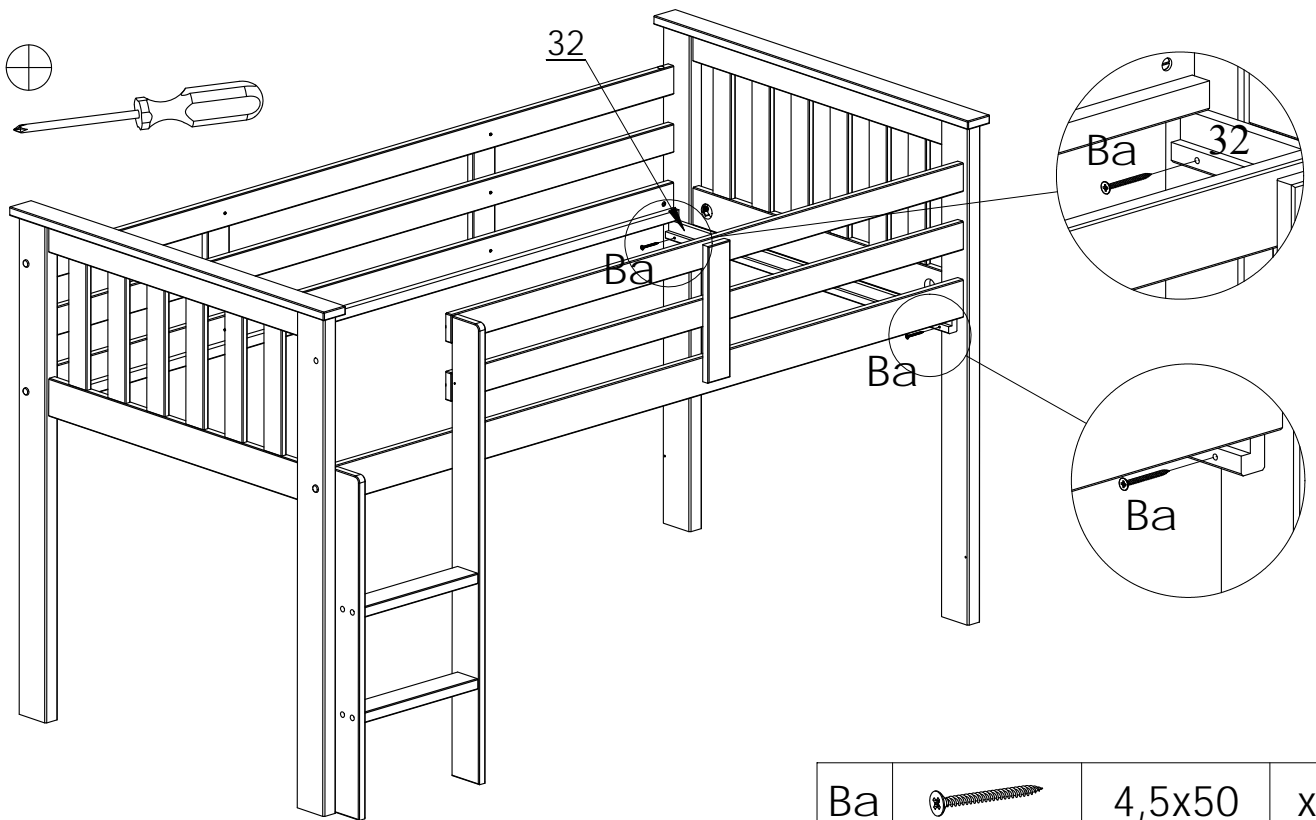
W		5x38	x6
---	---	------	----


9



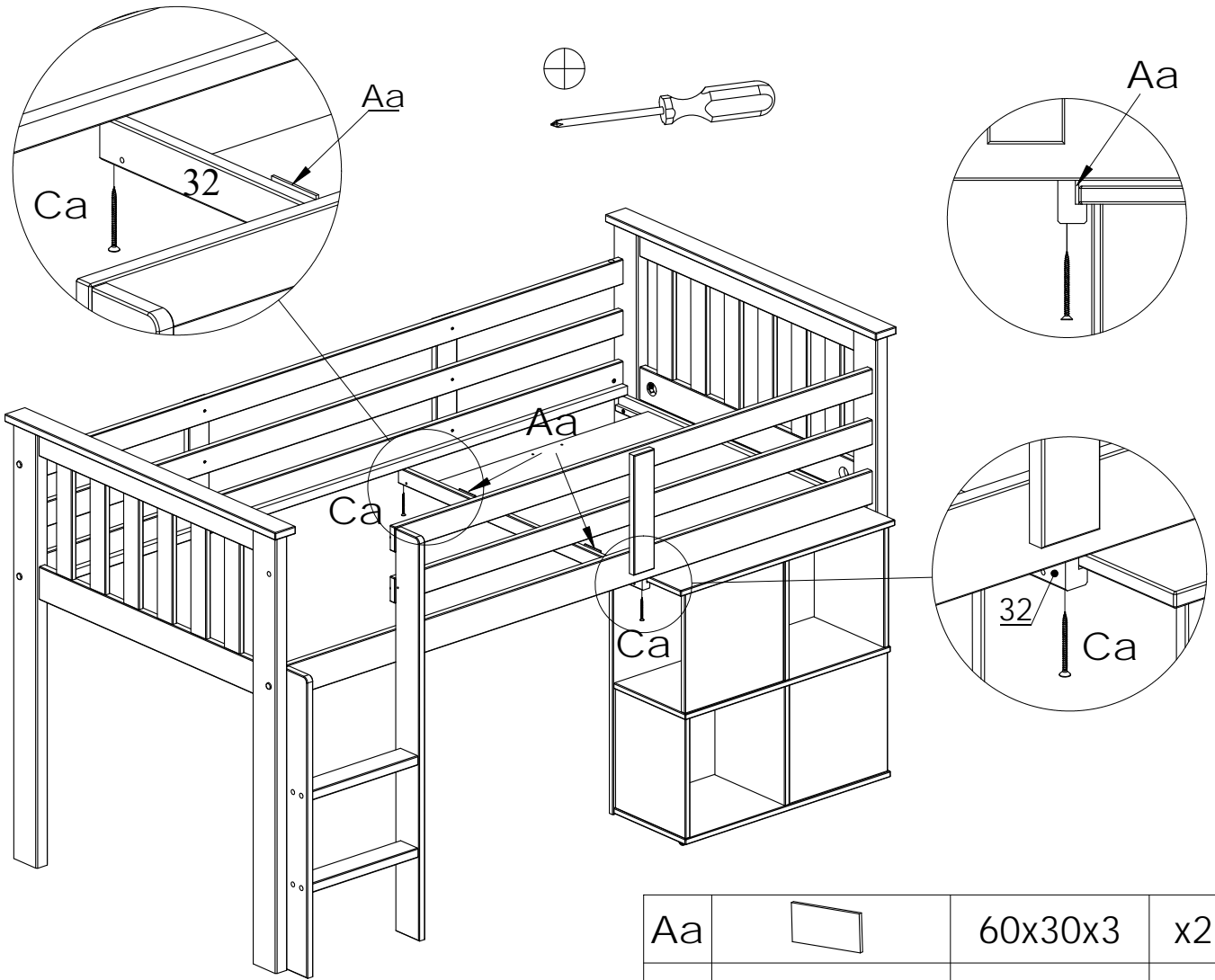
Y		D28	x2
Z		3,5x16	x4



10



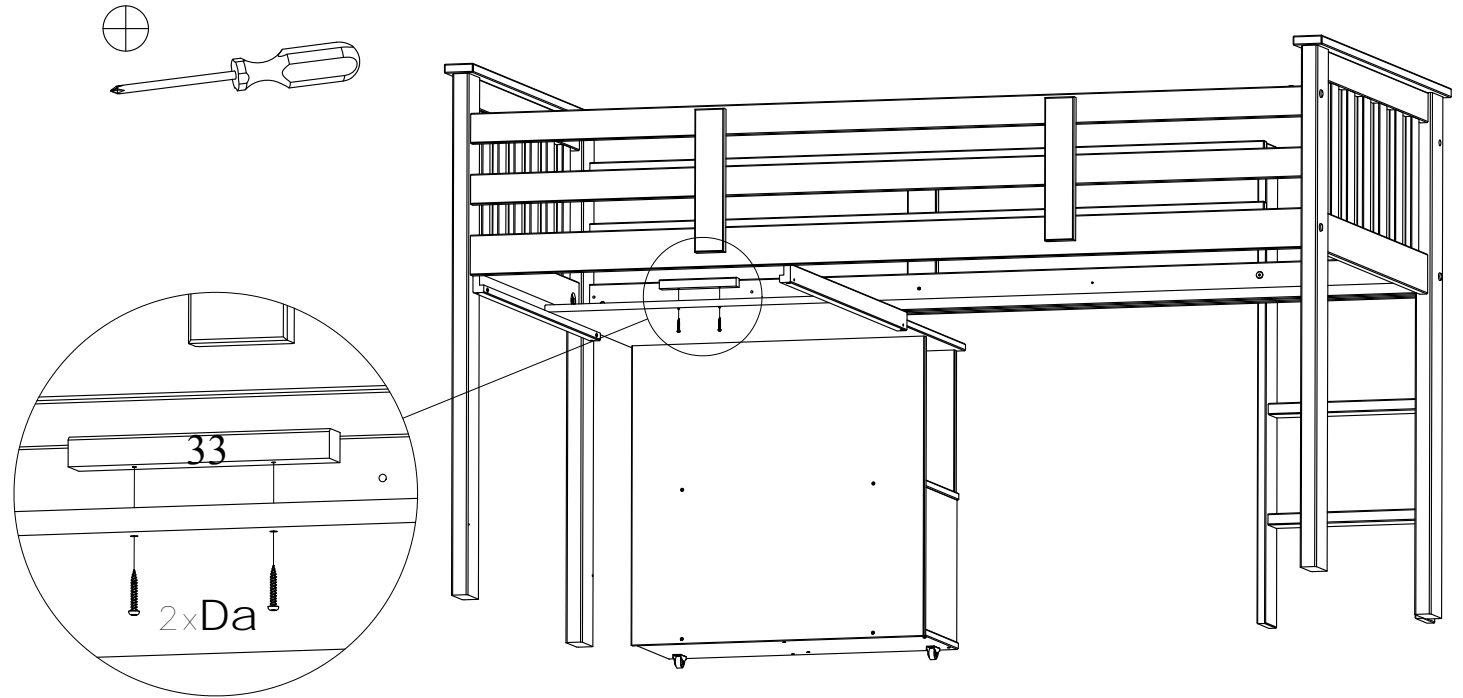
Ba		4,5x50	x2
----	---	--------	----


11

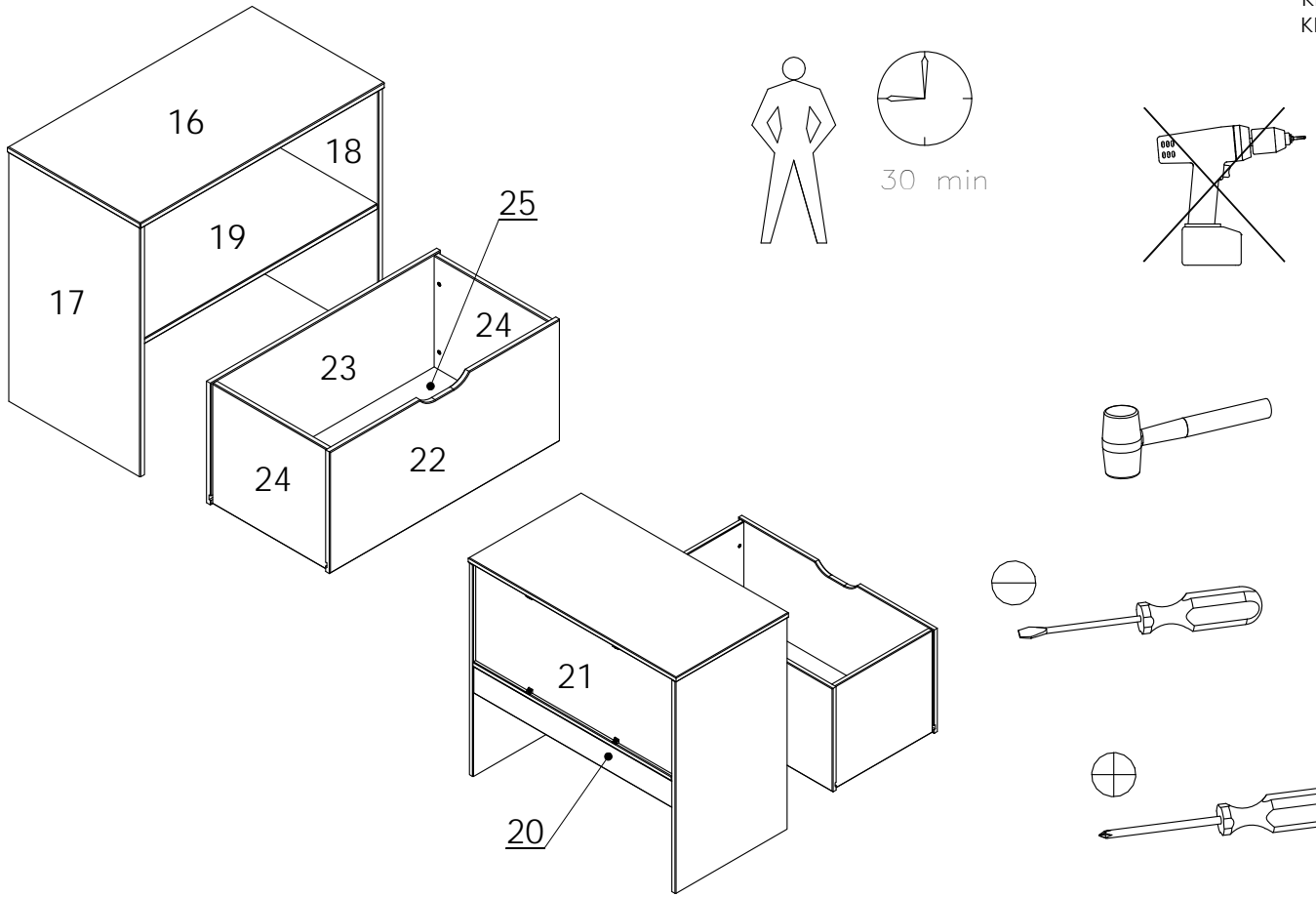


Aa		60x30x3	x2
Ca		4,5x60	x2

12



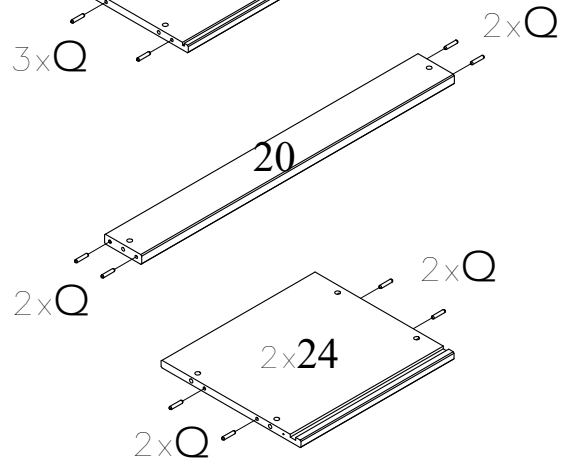
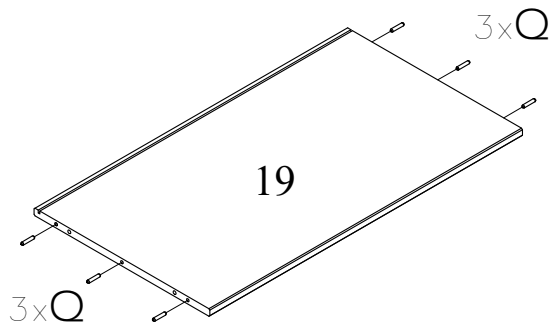
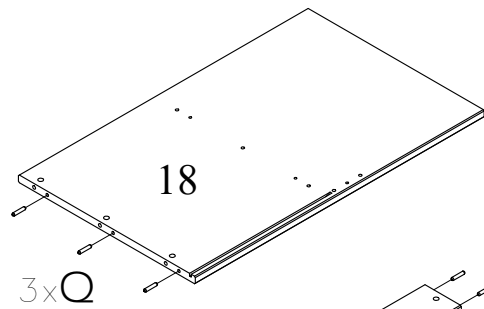
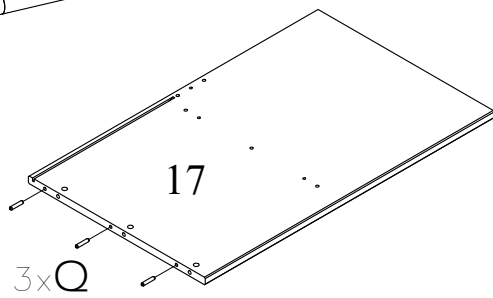
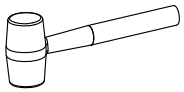
Da		4,5x30	x2
----	---	--------	----



Q		6x30	x24
U		6,5x27	x20
V		10x11	x20

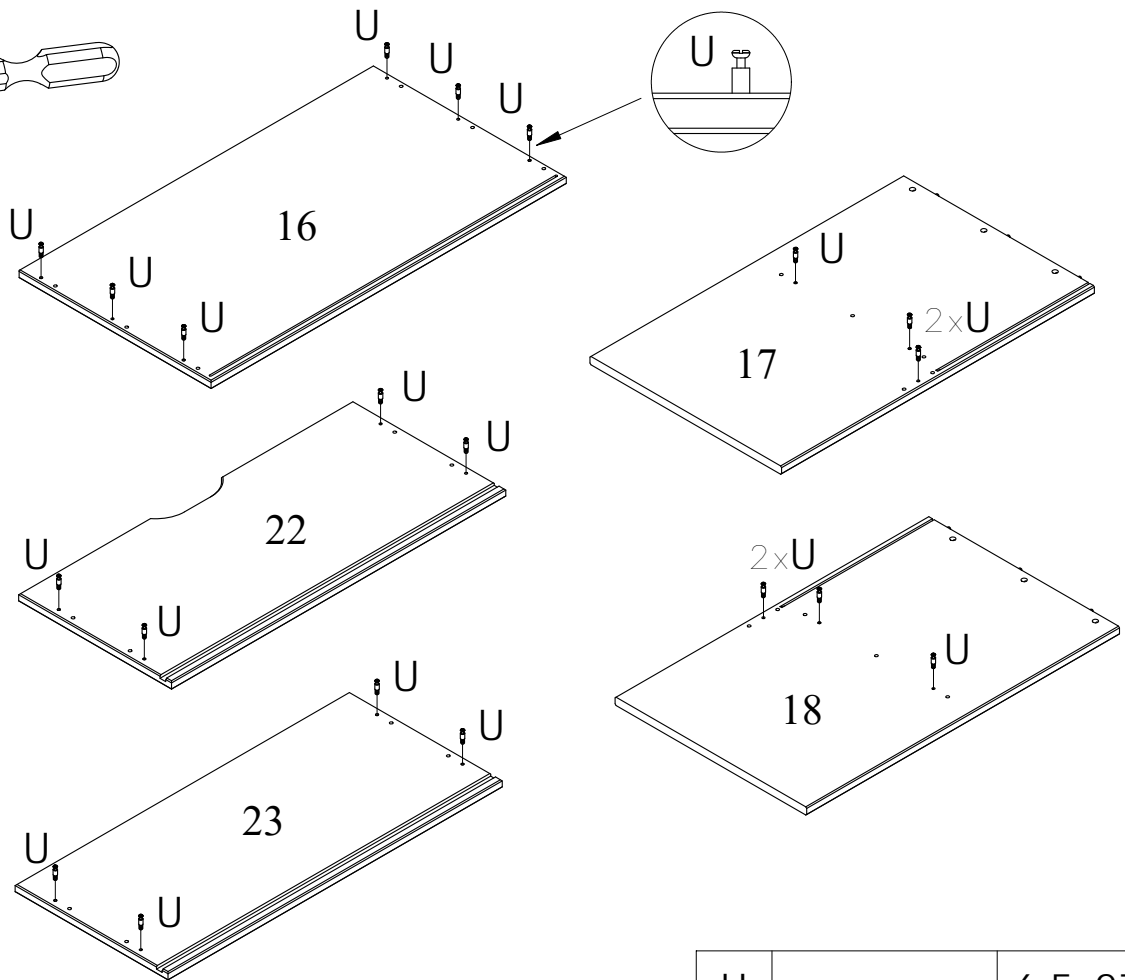
X		3,5x20	x4
Y		D28	x4
Z		4,5x12	x8

①



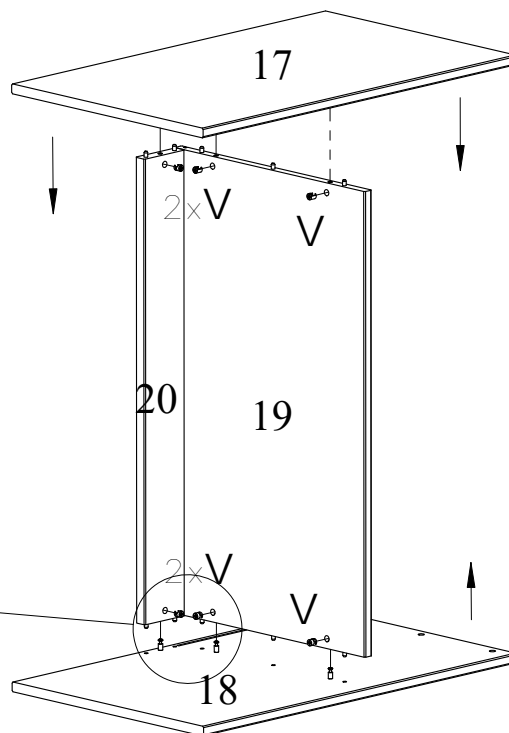
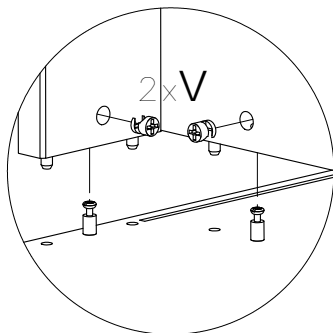
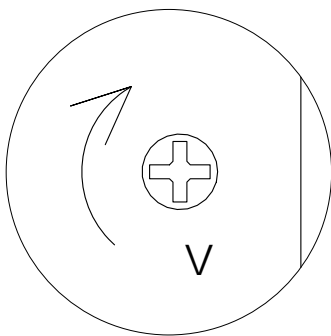
Q		6x30	x22
---	--	------	-----

②



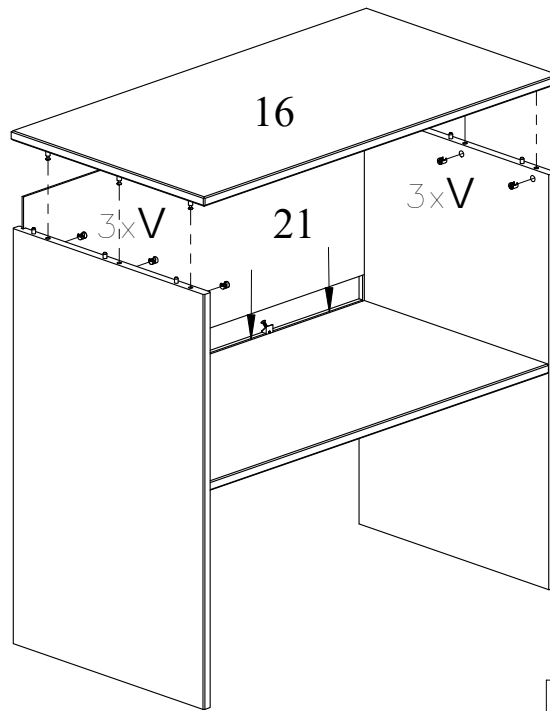
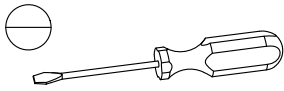
U		6,5x27	x20
---	--	--------	-----

③



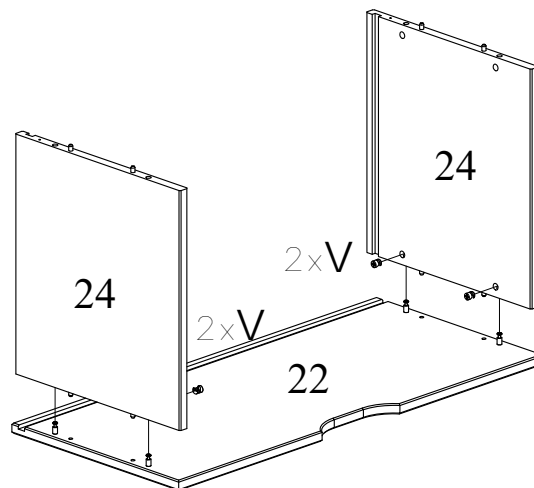
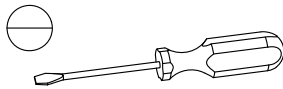
V		10x11	x6
---	--	-------	----

4



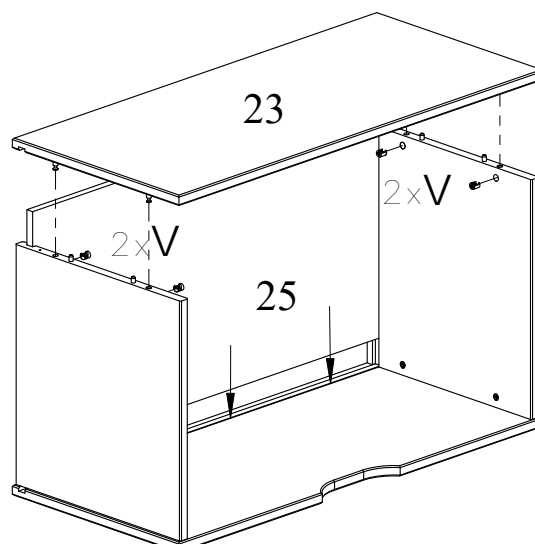
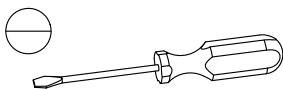
V		10x11	x6
---	--	-------	----

5



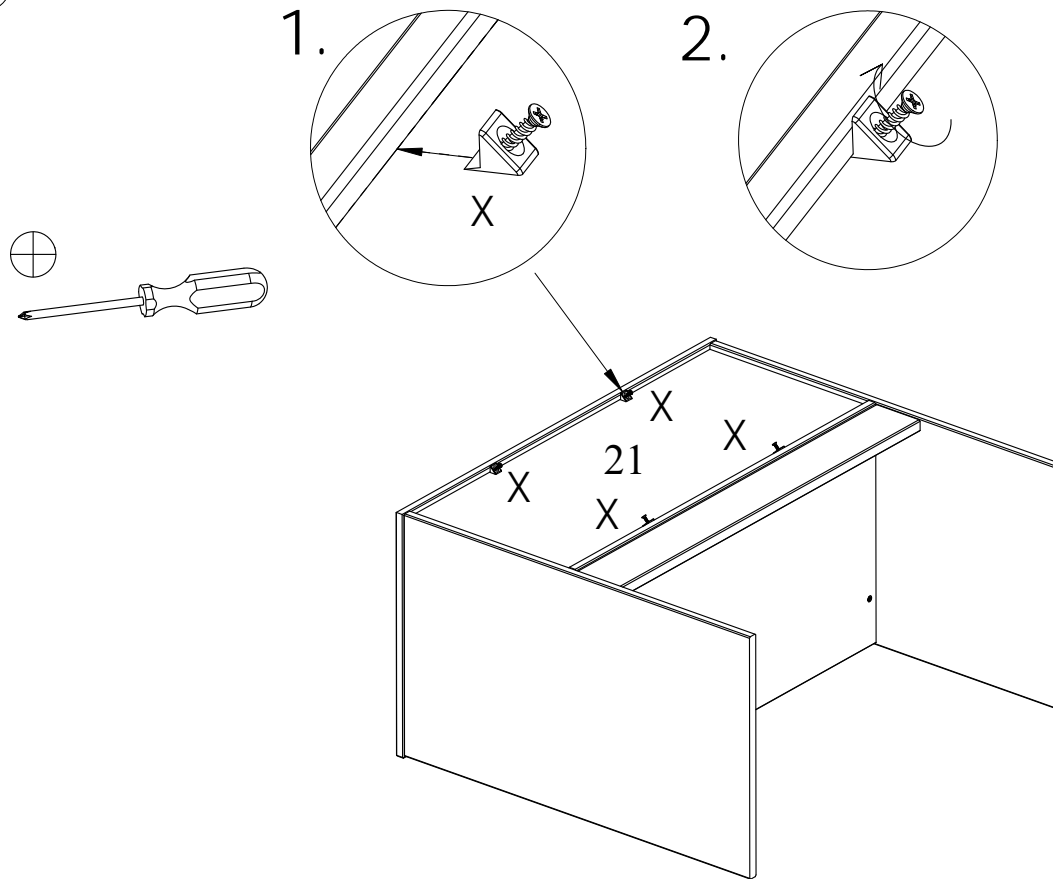
V		10x11	x4
---	--	-------	----


6



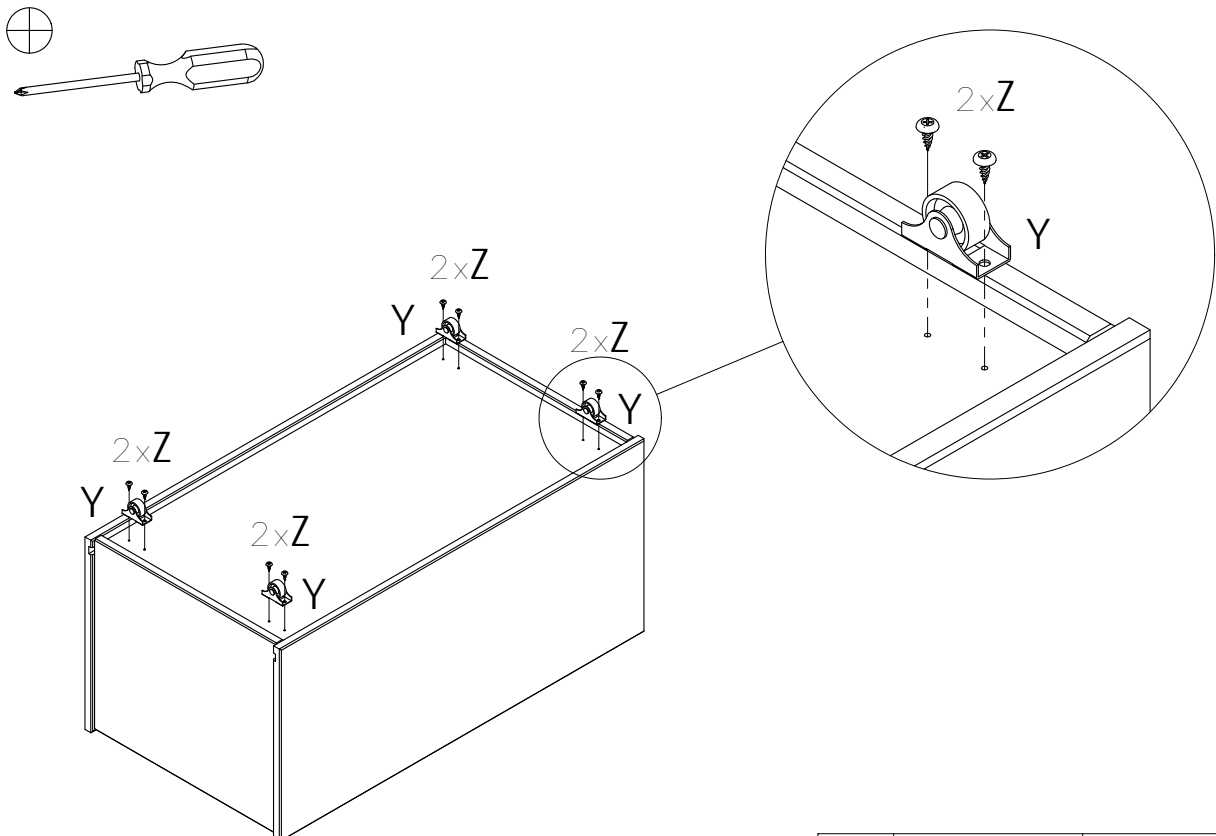
V		10x11	x4
---	--	-------	----

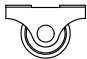
7



X		3,5x20	x4
---	---	--------	----

8



Y		D28	x4
Z		4,5x12	x8

Please dispose of all packaging safely.

General Care & Maintenance

Wipe clean with a slightly damp cloth.
Avoid the use of all household cleaners and abrasives.

Periodically check all screw & fixings to ensure they are secure.
When moving your product, carefully lift into place. Never drag or push the pieces across the floor as this will cause damage to the joints and could result in failure to the product that will invalidate the warranty.

For more information on cleaning and product care visit:
<https://www.happybeds.co.uk/help-and-advice>

Notes

We've tried to make this product as easy to assemble as possible. In the unlikely event that you have problems putting it together or have damaged or missing pieces, please contact us by visiting:

<https://www.happybeds.co.uk/customer-service>



www.happybeds.co.uk

