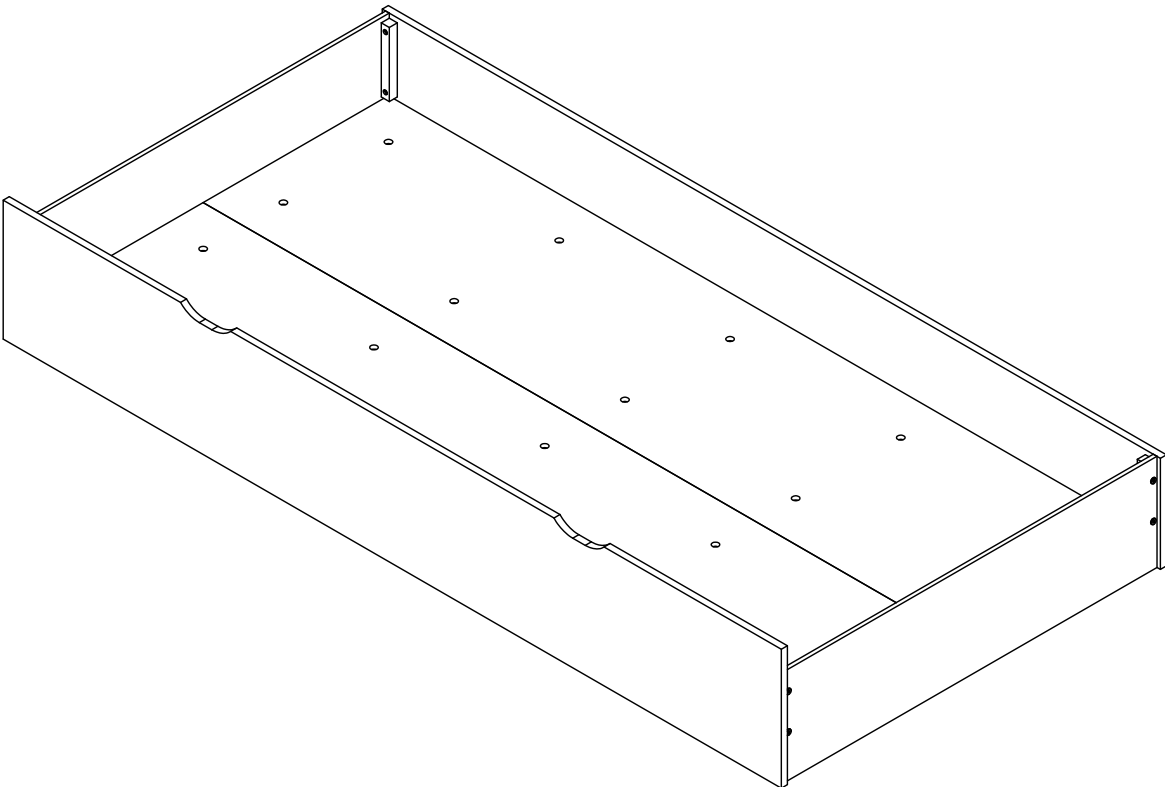


# Veera Trundle

## Assembly Instructions



# SAFETY ADVICE

Please take the time to carefully read through the whole of these instructions before you commence.

Keep these instructions for future reference.

Unpack, inspect and check of all of the contents.

Please dispose of all packing safely.

Small components parts could choke a child is swallowed.

We strongly recommend that you keep children well away from the work area.

It would be sensible to lay a sheet or blanket on the floor where you intend to work to avoid Scratching this product and protect your floor.

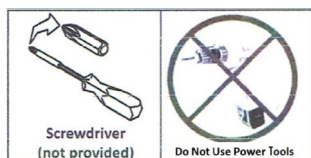
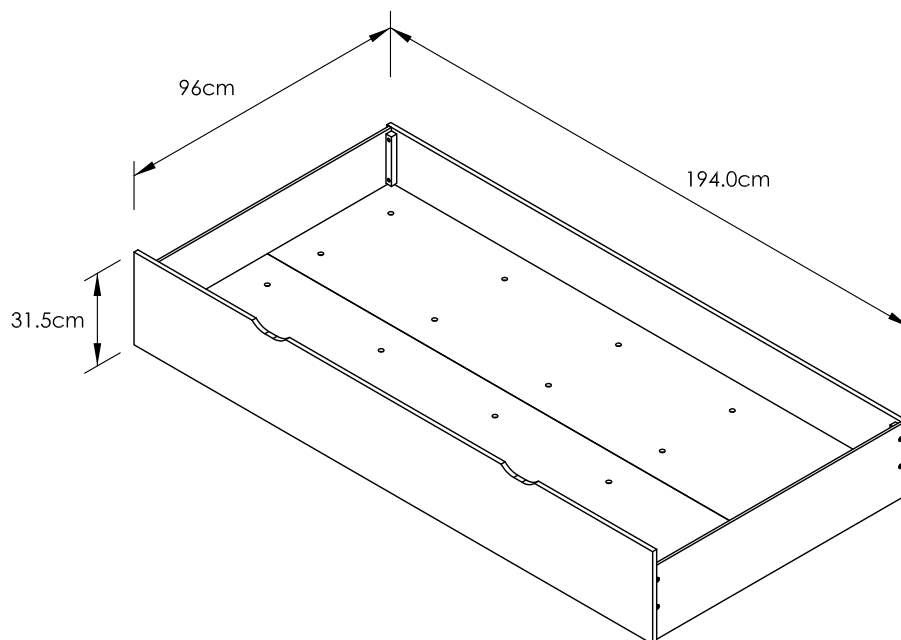
This product is heavy. Take extreme care when lifting to avoid personal injury or damage to the product.

This bed is heavy. Always lift this bed with two people.

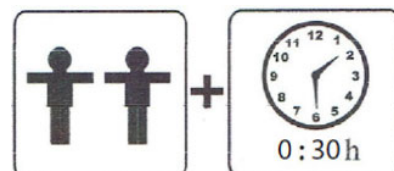
Assemble the product as close to its intended final position in the room as possible.

Keep any sharp object away from the bed frame.

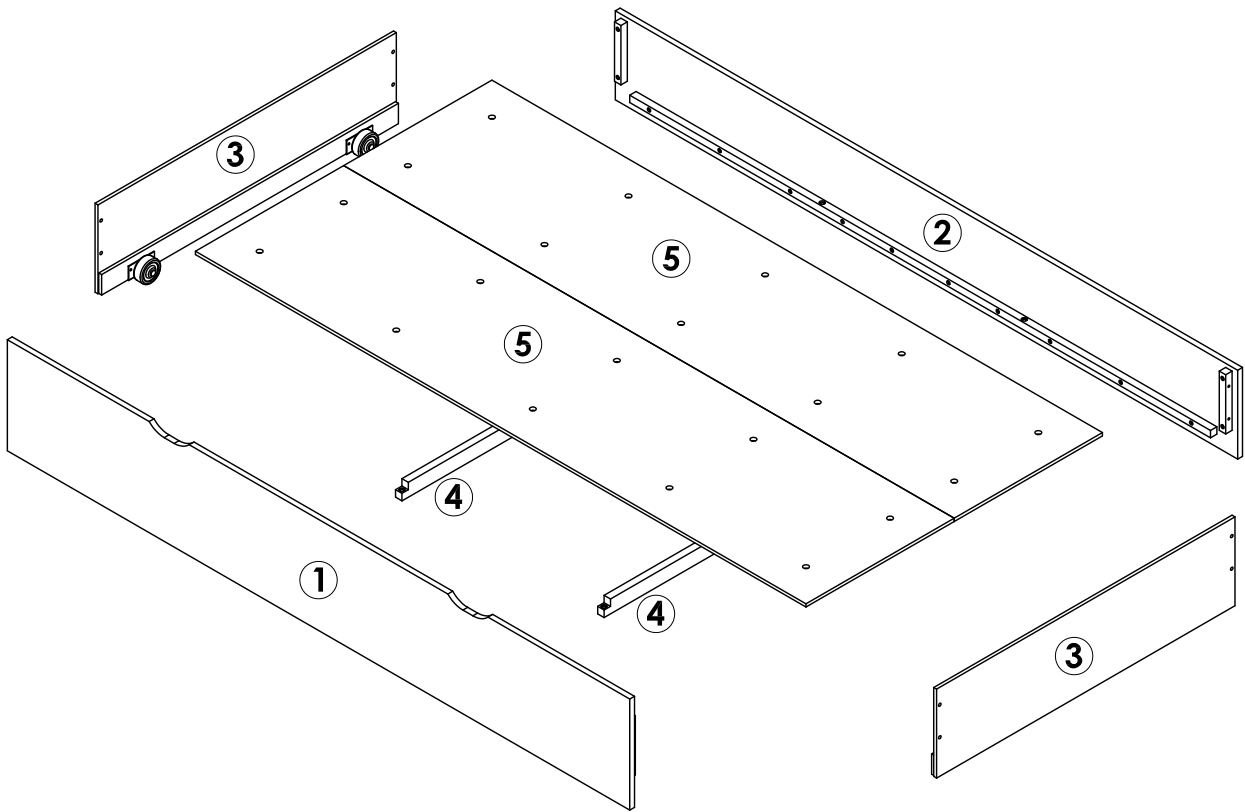
**HANDY HINT:** If you keep the hardware in a bowl during assembly you will be less likely to lose them.



All Dimensions are approximates.

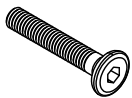


## Parts



## Hardware

**A**



JCBC BOLT (M6 x 35MM)

**4 PCS**

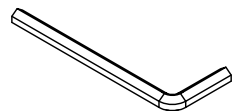
**B**



JCBC W SCREW (M7 x 25MM)

**8 PCS**



**C**

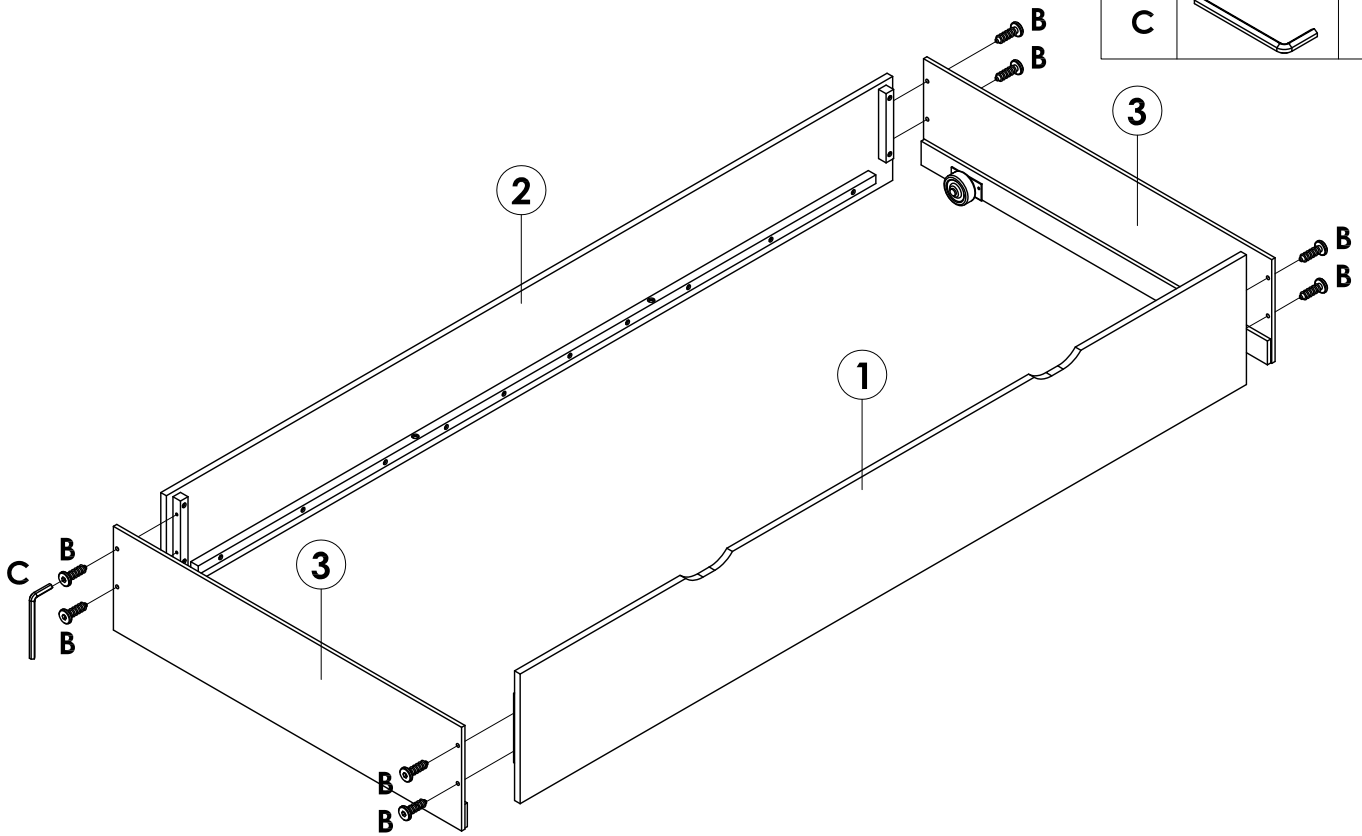


ALLEN KEY (M4 x 60MM)

**1 PC**



**STEP 1** DO NOT use any power tools as this may damage the bed frame and will invalidate any claim.

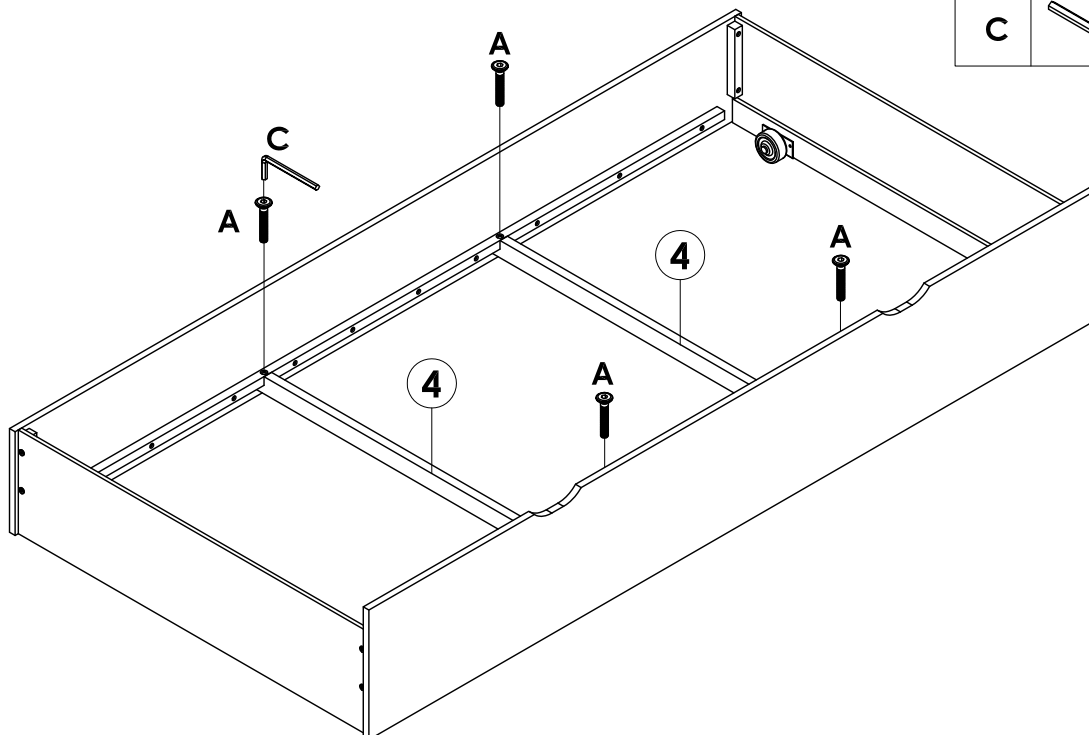
|   |   |   |
|---|---|---|
| B |  | 8 |
| C |  | 1 |



Attach and Secure **Front Panel** and **Rear Panel** onto **Side Panel** by using (B), tighten it up by using (C).

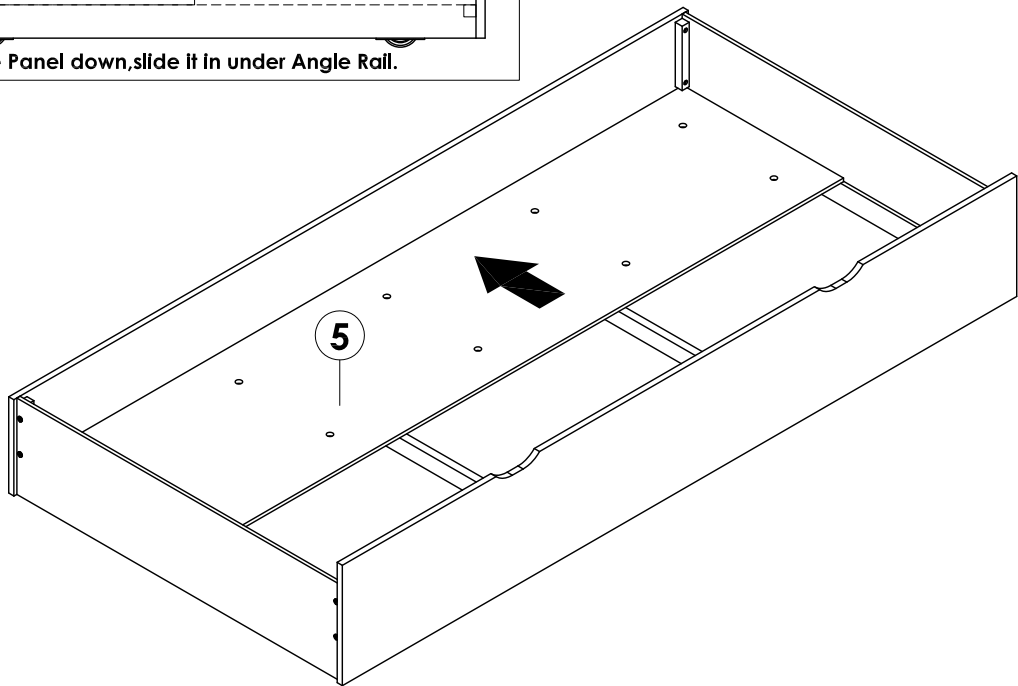
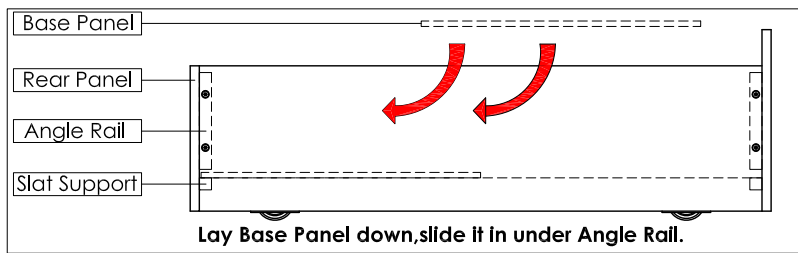
**STEP 2** DO NOT use any power tools as this may damage the bed frame and will invalidate any claim.

|   |   |   |
|---|---|---|
| A |  | 4 |
| C |  | 1 |



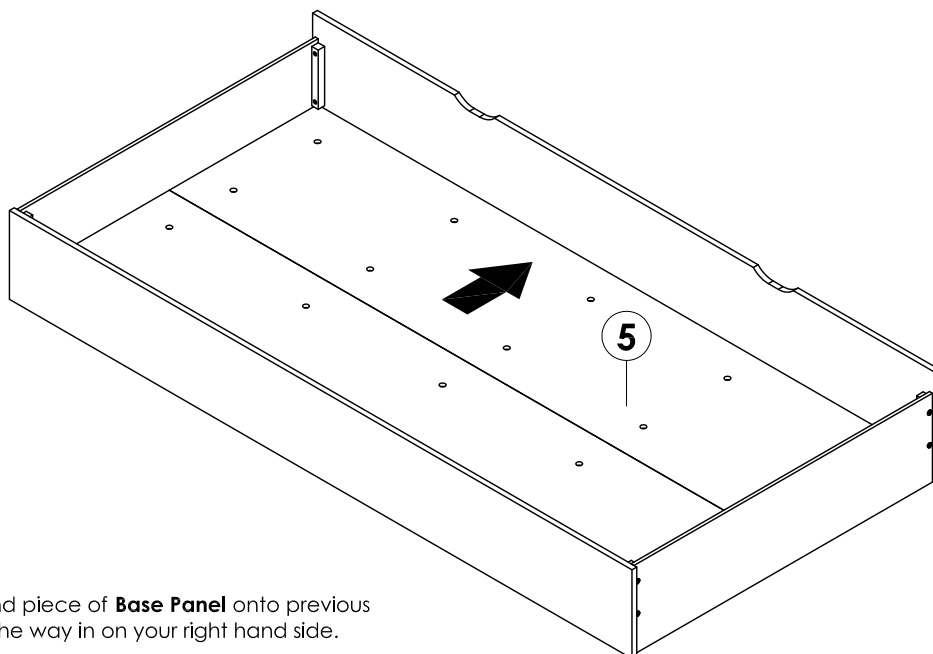
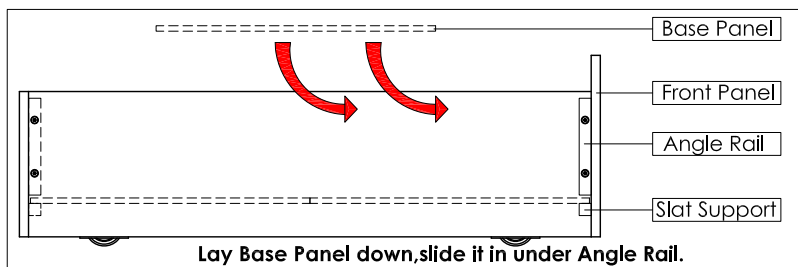
Place both **Base Support** accurately beneath both Ø8MM holes. Insert (A) into all Ø14MM holes on **Front Panel** and **Rear Panel**, tighten it up by using (C).

**STEP 3** DO NOT use any power tools as this may damage the bed frame and will invalidate any claim.



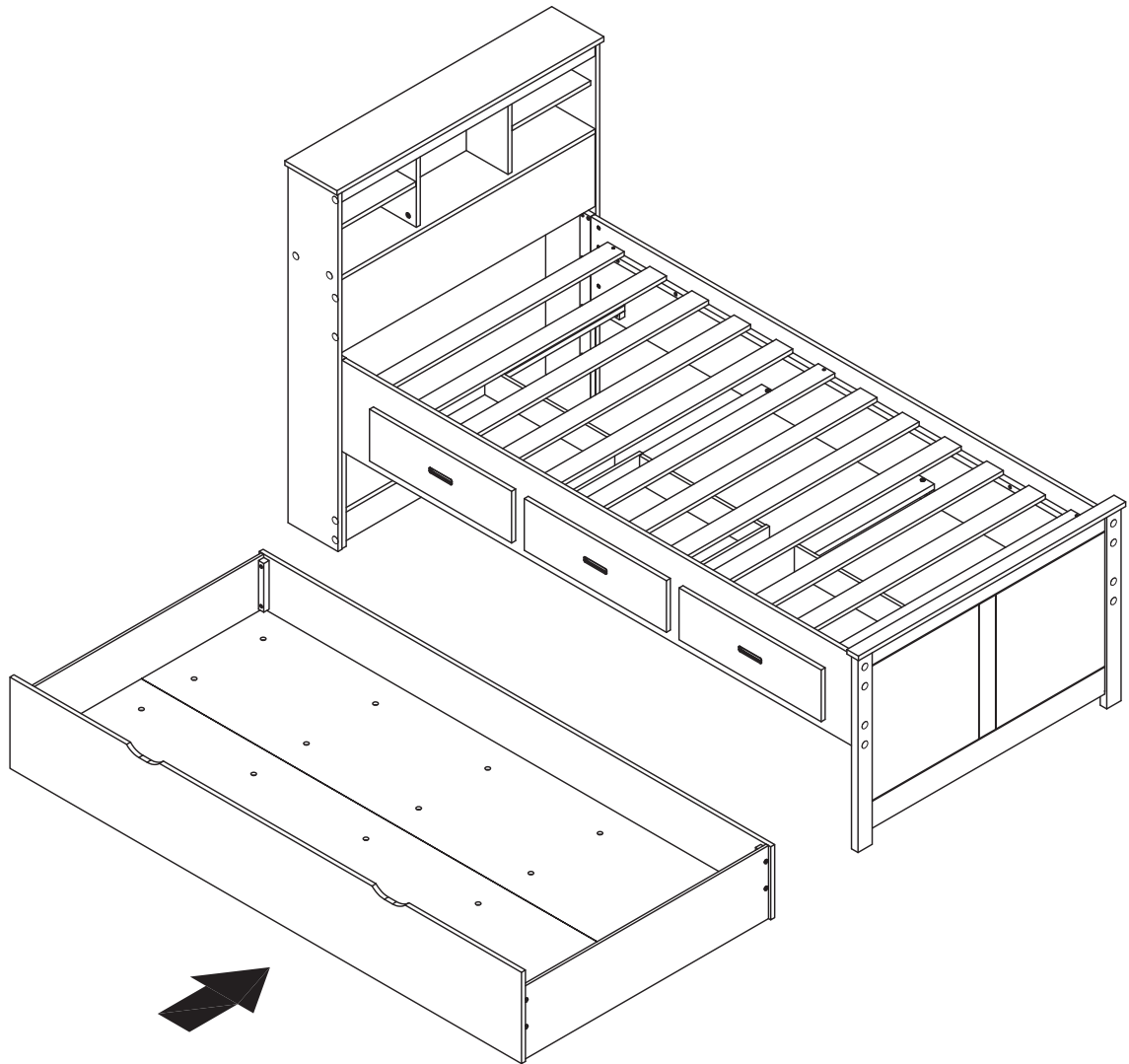
Lay down the first piece of **Base Panel** onto previous assembly,slide it all the way in on your left hand side.

**STEP 4**



Lay down the Second piece of **Base Panel** onto previous assembly,slide it all the way in on your right hand side.

Your **Veera Trundle** is now ready to use.



Your **Veera Trundle** is now complete ready to use.