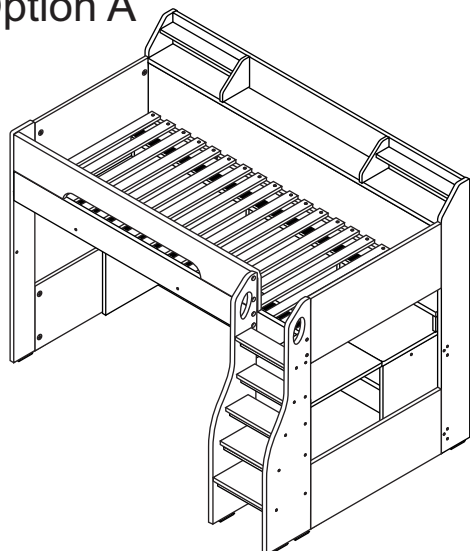


ASSEMBLY INSTRUCTIONS

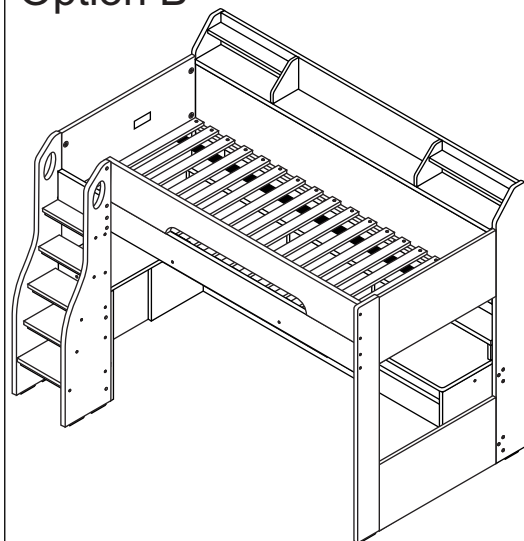
MODEL : CK 6310
PRODUCT SIZE : 920mm x 1930mm (Int Base Size)

Thank you for purchasing this product. Before starting assembly we suggest you spend a short time reading through this leaflet, then follow the simple step by step guide.
Two persons are needed to assemble this product.

Option A



Option B



* Approximately 2 Hours



* 2 People Required

IMPORTANT - READ CAREFULLY - RETAIN FOR FUTURE REFERENCE

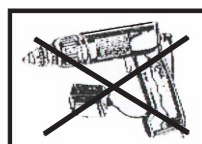
- a) **WARNING** "High beds and the upper bed of bunk beds are not suitable for children under six years due to the risk of injury from falls";
- b) **WARNING** "Bunk beds and high beds can present a serious risk of injury from strangulation if not used correctly. Never attach or hang items to any part of the bunk bed that are not designed to be used with the bed, for example, but not limited to ropes, strings, cords, hooks, belts and bags"
- c) **WARNING** "Children can become trapped between the bed and the wall, a roof pitch, the ceiling, adjoining pieces of furniture (e.g. cupboards) and the like. To avoid risk of serious injury the distance between the top safety barrier and the adjoining structure shall not exceed 75 mm or shall be more than 230 mm";
- d) **WARNING** "Do not use the bunk bed/high bed if any structural part is broken or missing;
- e) always follow the manufacturer's instructions;
- f) This bunk bed is suitable for a single mattress or foam bed 920mm x 1870mm. Thickness of mattress should not exceed 200mm.
- g) Ventilation of the room is necessary in order to keep the humidity low and to prevent mould in and around the bed;
- h) all bunk beds and high beds intended to be assembled by other than the manufacturer or his/her representative shall include assembly instructions including a list of the parts supplied and details of any tools required to assemble the bed;
- i) Use ladder for entering and leaving upper bunk.
- j) The bunk bed should be checked periodically by the owner to ensure that the guardrail, ladder and other components are maintained in the correct position and state of repair and that all connectors are tight.
- k) This bunk bed conforms to BS EN 747-1 : 2012 + A1 : 2015

Tools Required For Assembly



Philips Screw Driver

Tools Not Use



DO NOT USE POWER TOOLS TO ASSEMBLE THIS PRODUCT. USE OF POWER TOOLS WILL INVALIDATE ANY CLAIM AND MAY DAMAGE THIS PRODUCT MAKING IT UNSAFE.



DO NOT USE HAMMER

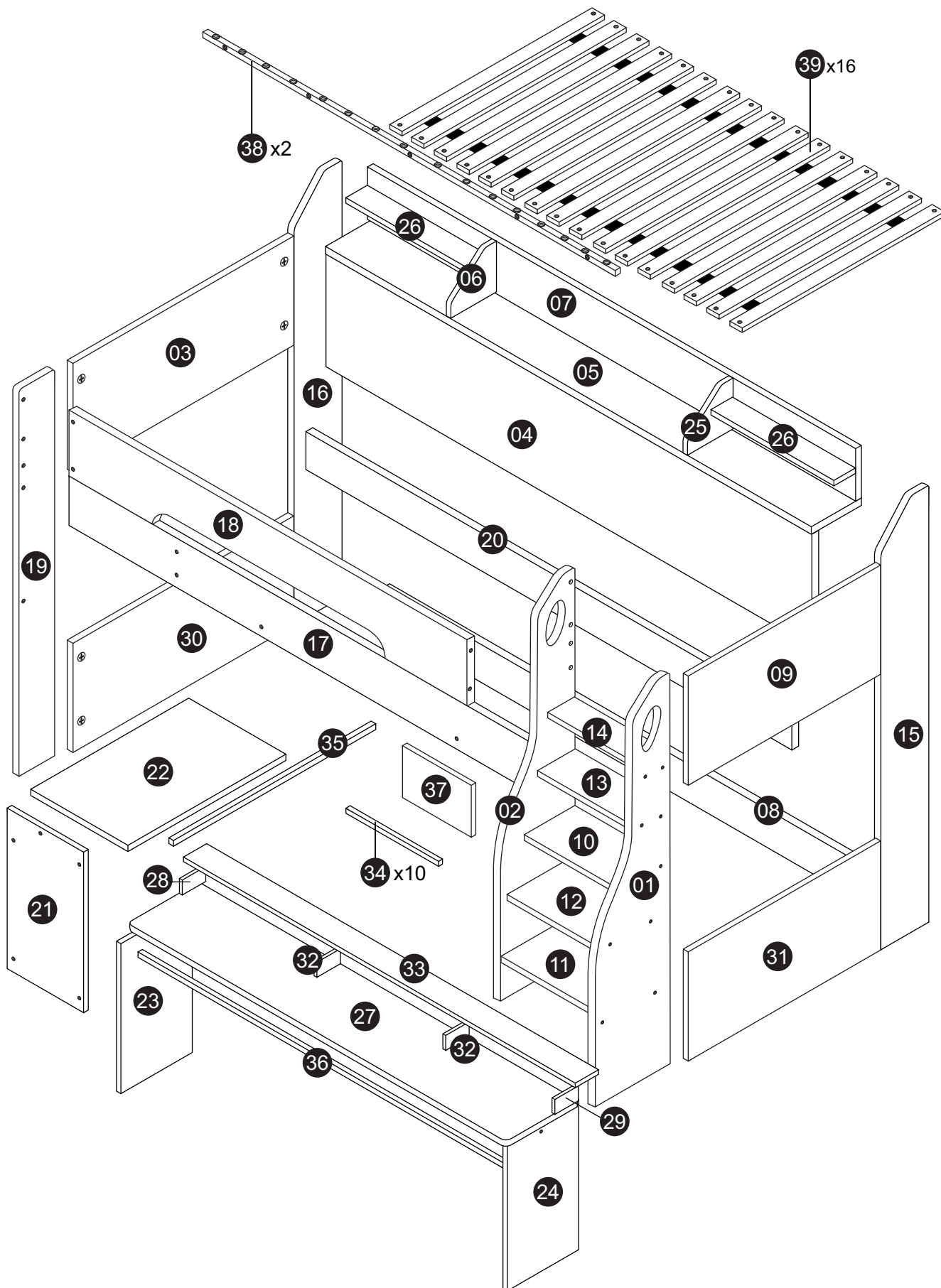
PARTS LIST

Model: CK 6310

Carton 1 of 3			Carton 3 of 3		
No.	Part Name	Pcs			
			③	CENTER PANEL UPPER (LEFT)	1
①	RIGHT PANEL (LADDER)	1	⑨	CENTER PANEL UPPER (RIGHT)	1
②	LEFT PANEL (LADDER)	1	⑩	3 RD STEP (LADDER)	1
⑧	BACK PANEL (LOWER)	1	⑪	1 ST STEP (LADDER)	1
⑳	BACK PANEL (UPPER)	1	⑫	2 ND STEP (LADDER)	1
㉓	LEFT PANEL (DESK)	1	⑬	4 TH STEP (LADDER)	1
㉔	RIGHT PANEL (DESK)	1	⑭	5 TH STEP (LADDER)	1
㉗	TOP PANEL (DESK)	1	㉑	FRONT PANEL (DESK)	1
㉓	TOP PANEL (OPEN SHELF)	1	㉒	TOP PANEL (DESK)	1
㉔	LADDER SUPPORT METAL	10	㉘	LEFT PANEL (OPEN SHELF)	1
㉕	DESK SUPPORT METAL (SHORT)	1	㉙	RIGHT PANEL (OPEN SHELF)	1
㉖	DESK SUPPORT METAL (LONG)	1	㉚	CENTER PANEL LOWER (LEFT)	1
㉘	BASE SUPPORT METAL	2	㉛	CENTER PANEL LOWER (RIGHT)	1
FITTING LIST			㉜	CENTER PANEL (OPEN SHELF)	2
			㉝	BACK SUPPORT (LADDER)	1
Carton 2 of 3			㉞	LVL BASE	16
④	SUPPORT PANEL UPPER	1			
⑤	BOTTOM PANEL (OPEN SHELF)	1			
⑥	SUPPORT PANEL SMALL LEFT (OPEN SHELF)	1			
⑦	BACK PANEL (OPEN SHELF)	1			
⑮	RIGHT PANEL (BACK)	1			
⑯	LEFT PANEL (BACK)	1			
⑰	SIDE PANEL LONG (TOP FRONT)	1			
⑱	SIDE PANEL SHORT (TOP FRONT)	1			
⑲	LEFT PANEL (FRONT)	1			
㉕	SUPPORT PANEL SMALL RIGHT (OPEN SHELF)	1			
㉖	CENTER PANEL (OPEN SHELF)	2			

PARTS LIST







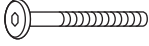
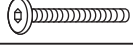
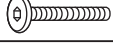
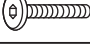

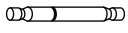


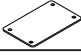


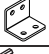

Model: CK 6310



FITTING LIST

Model: CK 6310

Fitting List

No.	Part Name	Pcs
(A)	Cam Stud (5137) 	50
(B)	Cam 	54
(C)	M8 x 25mm Wood Dowel 	68
(D)	M6 x 40mm Wood Dowel 	6
(E)	M6 x 13mm Baller 	22
(F)	M6 JCN Nut 	9
(G)	M6 x 60mm Allen Bolt 	13
(H)	M6 x 50mm Allen Bolt 	13
(I)	M6 x 40mm Allen Bolt 	20
(J)	M6 x 35mm Allen Bolt 	17
(K)	M6 x 30mm Allen Bolt 	52
(L)	Double Ended Dowel (05857) 	2
(M)	M6 x 12mm Allen Bolt 	8
(N)	45mm Chipboard Screw 	12
(P)	Metal Support Plate (White) 	2
(Q)	Sticker (White 13mm) 	15
(R)	14mm Chipboard Screw 	24
(S)	PVC L Bracket (White Colour) 	6
(T)	M6 Allen Wrech 	2

CAUTION

There are many small components used in the construction of this unit. These loose items should be kept away from young children whilst assembling your unit. As an extra precaution, screw cover caps should be permanently fixed in position. (Where applicable)

USEFUL HINTS & TIPS

Two people will be required to assemble this unit

Please keep this assembly instruction for future reference




GUIDE TO ASSEMBLY

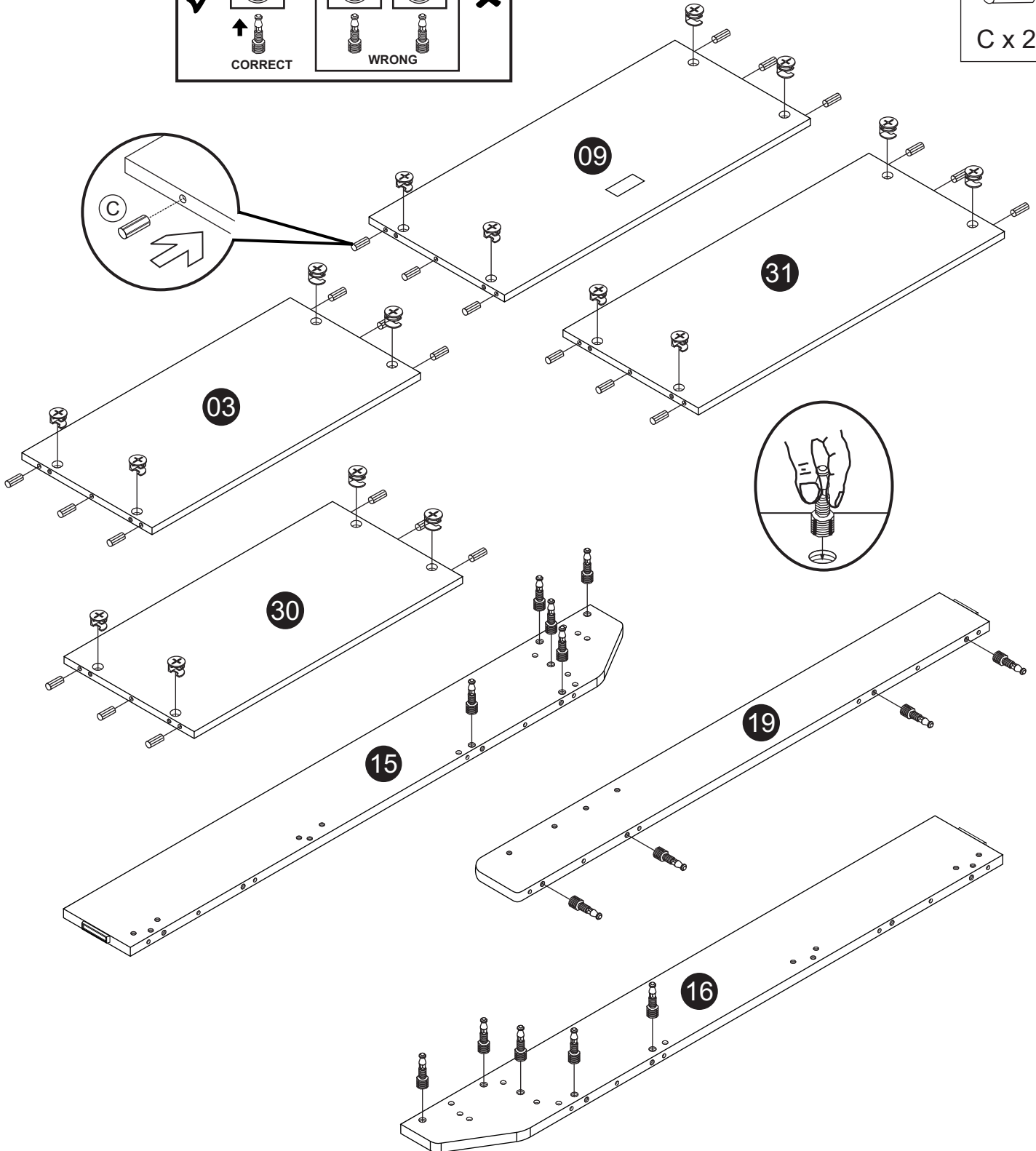
Model: CK 6310

STEP 1

WHEN FITTING CAMS
ENSURE STARTING POSITION IS CORRECT
BEFORE YOU INSERT CONNECTING BOLT
TURN CLOCKWISE UNTIL SECURE

CORRECT **WRONG**





 B x 16	 A x 14
	 C x 24

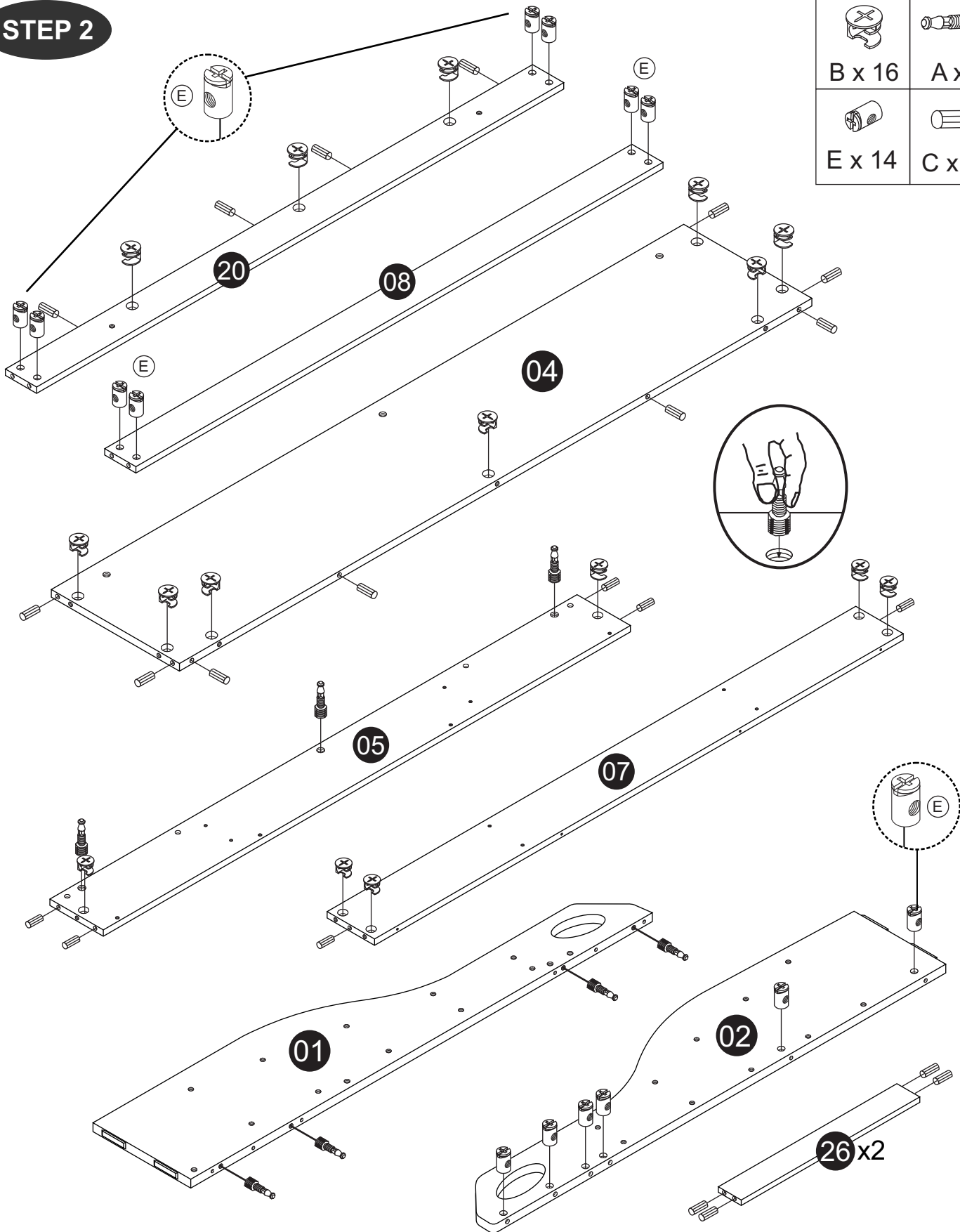


GUIDE TO ASSEMBLY

Model: CK 6310

STEP 2

	
B x 16	A x 7
	
E x 14	C x 26



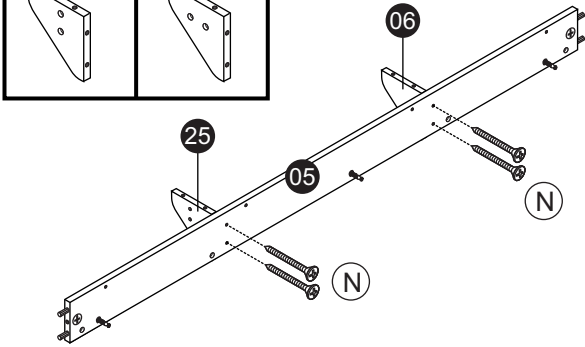
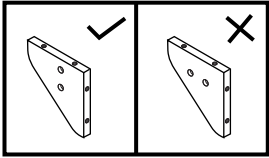
GUIDE TO ASSEMBLY

Model: CK 6310

STEP 3



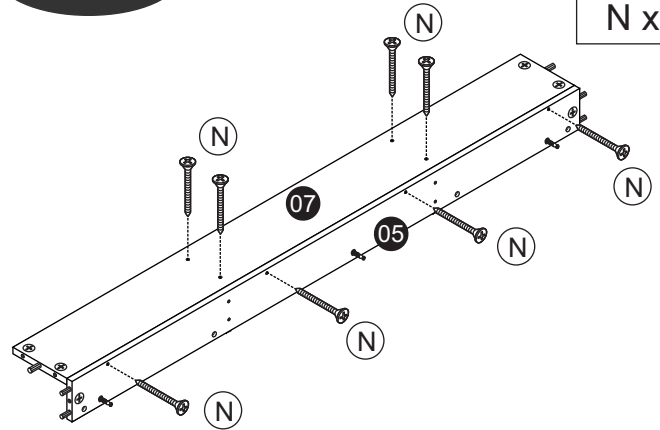
N x 4



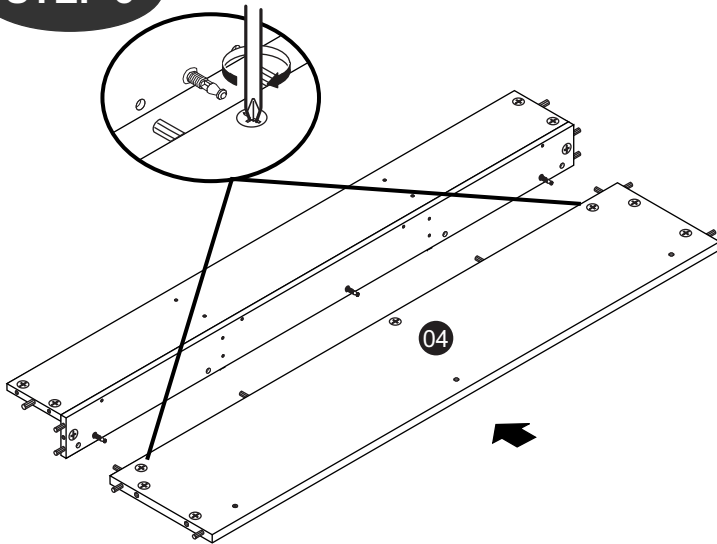
STEP 4



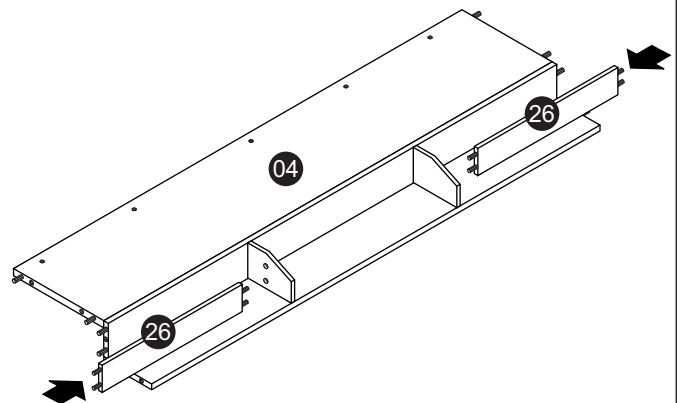
N x 8



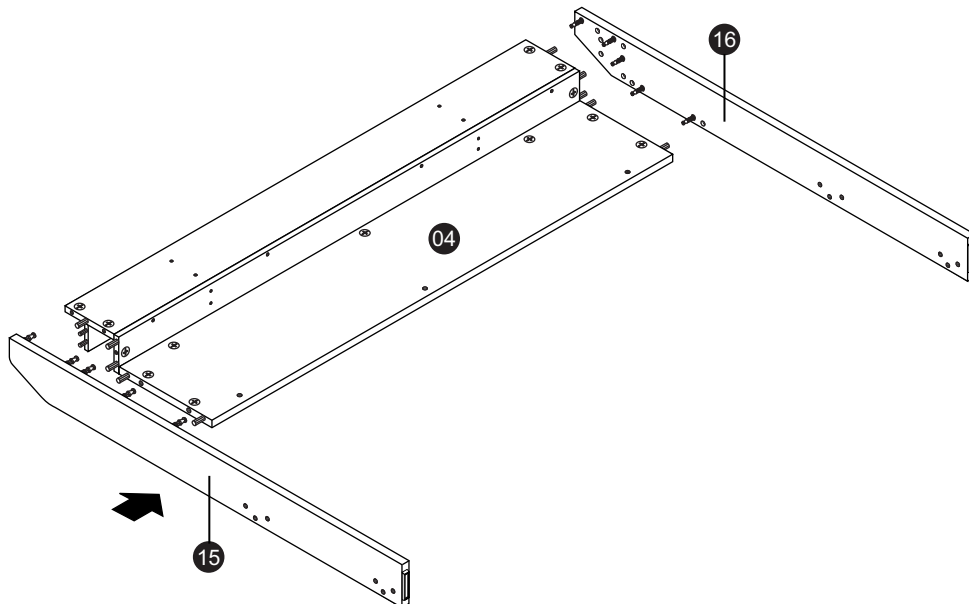
STEP 5



STEP 6



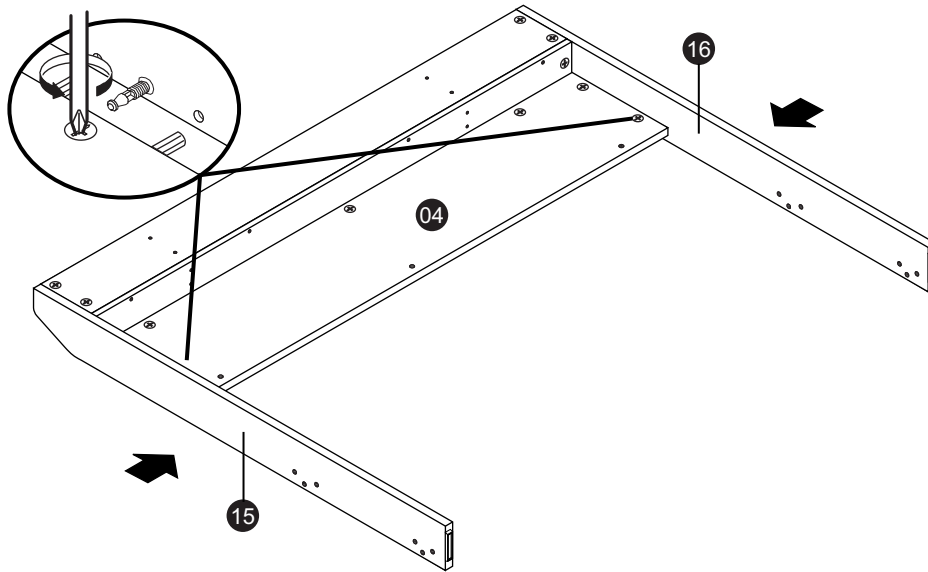
STEP 7



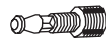
GUIDE TO ASSEMBLY

Model: CK 6310

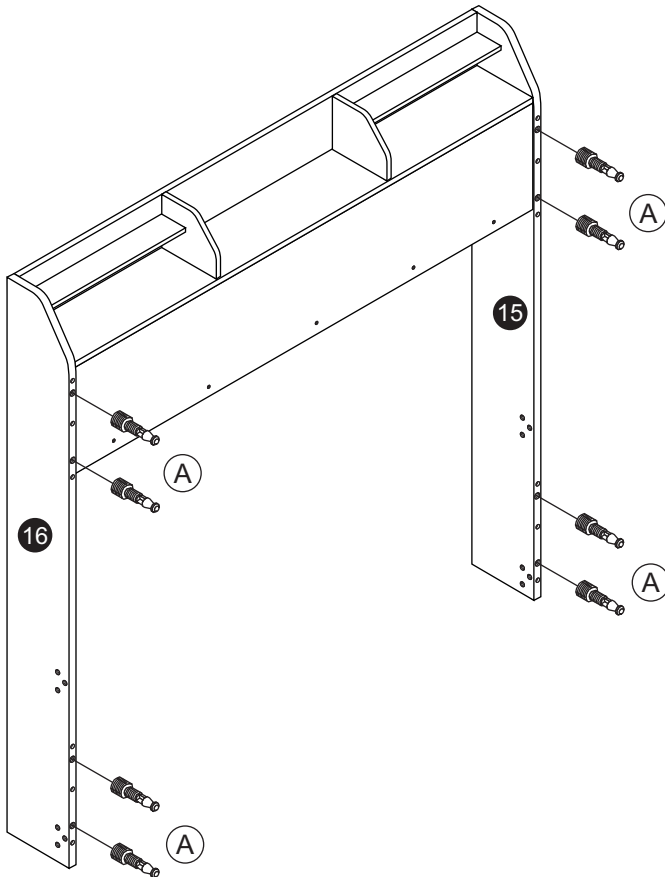
STEP 8



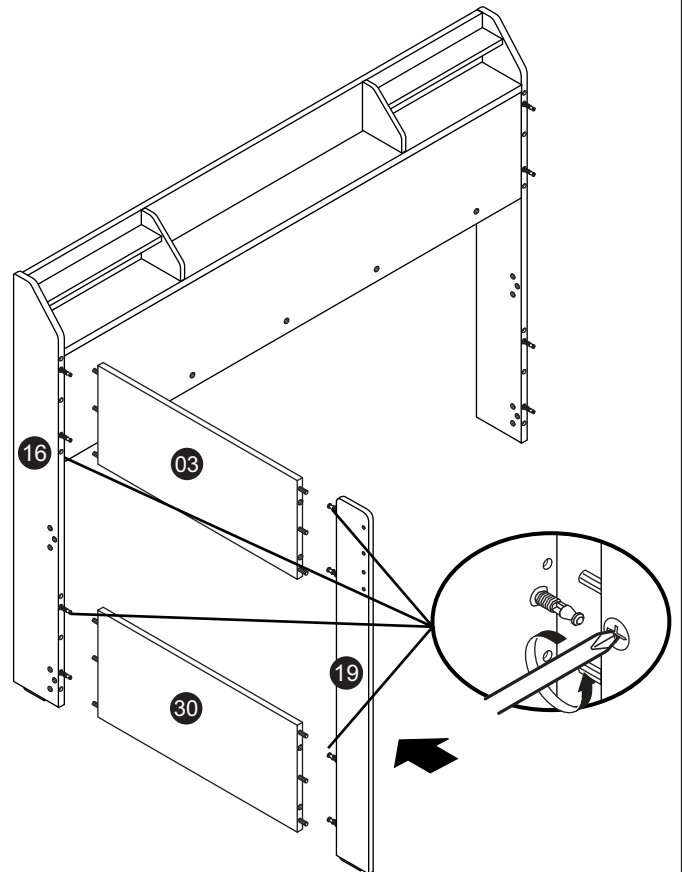
STEP 9



A x 8



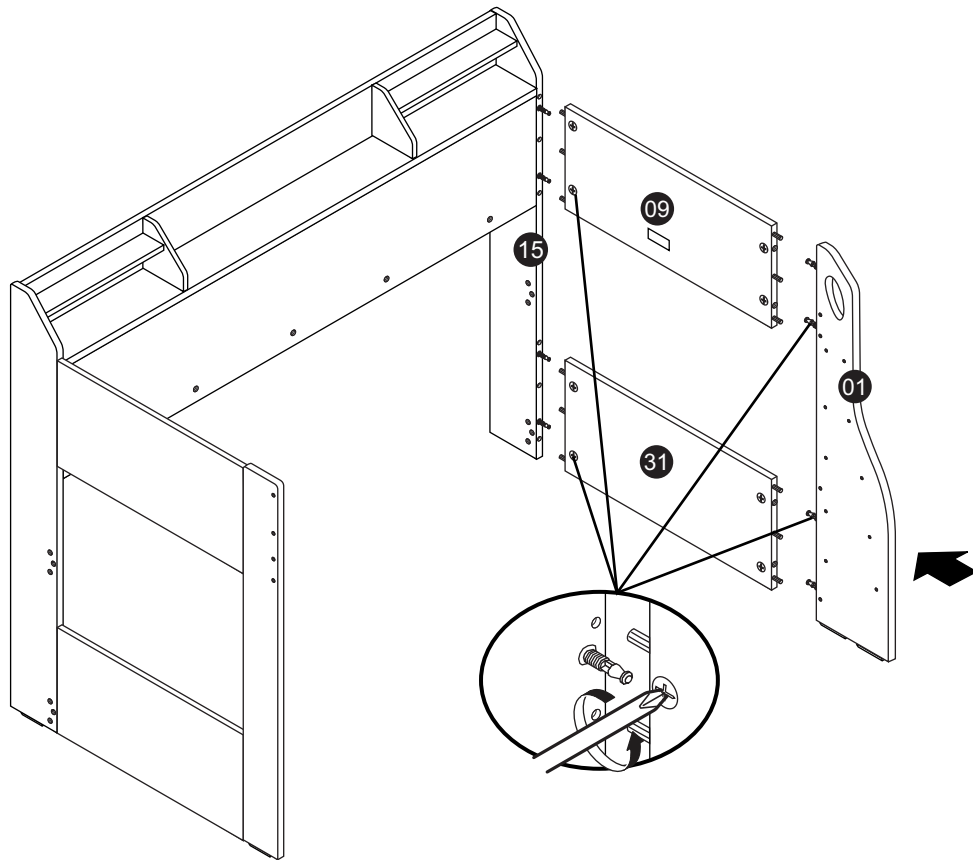
STEP 10



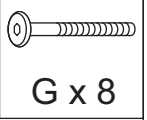
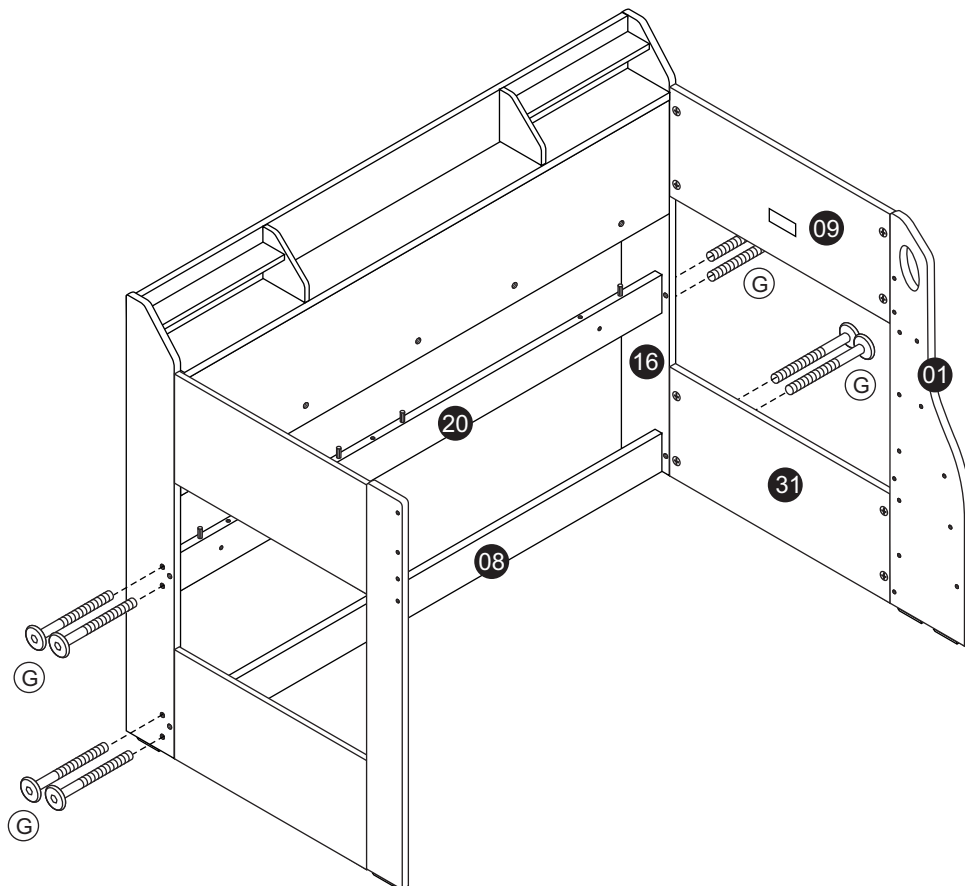
GUIDE TO ASSEMBLY

Model: CK 6310

STEP 11



STEP 12



GUIDE TO ASSEMBLY

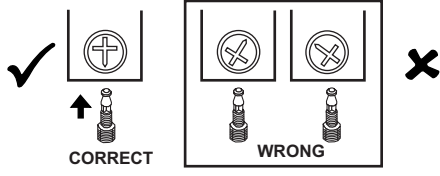
10
32

Model: CK 6310

STEP 13

WHEN FITTING CAMS

ENSURE STARTING POSITION IS CORRECT
BEFORE YOU INSERT CONNECTING BOLT
TURN CLOCKWISE UNTIL SECURE



B x 20



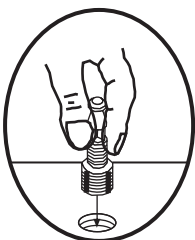
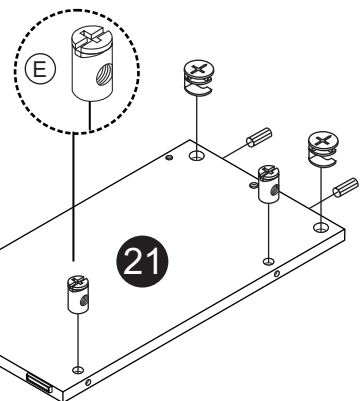
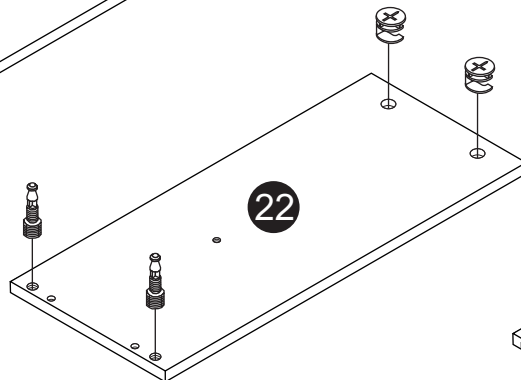
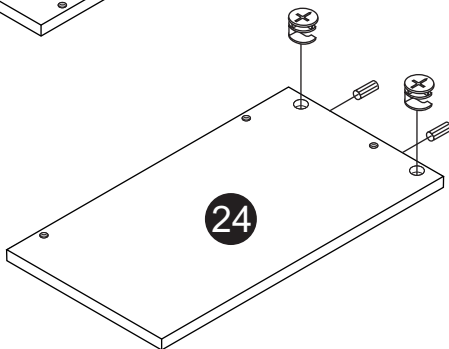
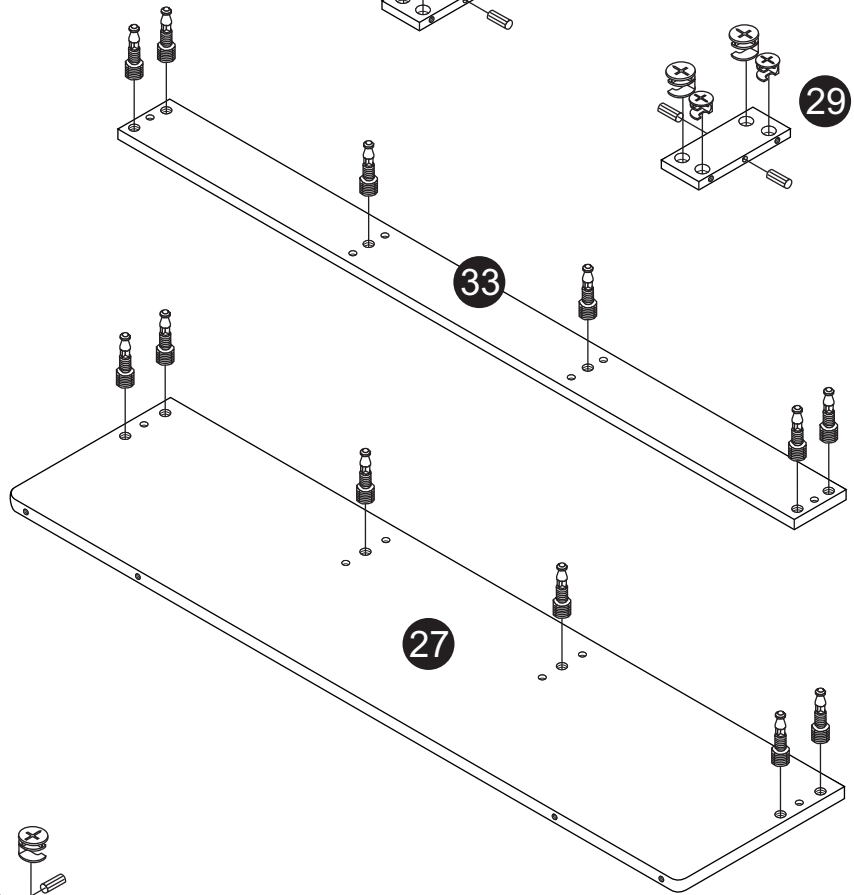
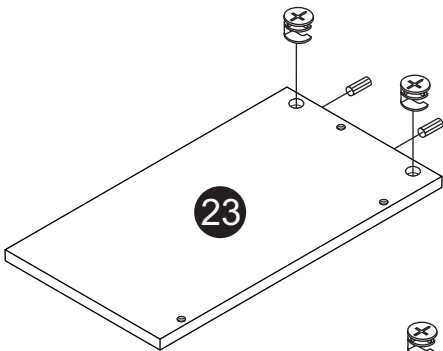
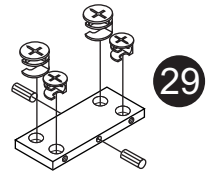
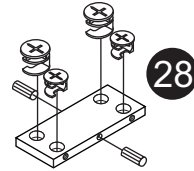
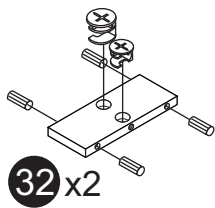
A x 14



E x 2

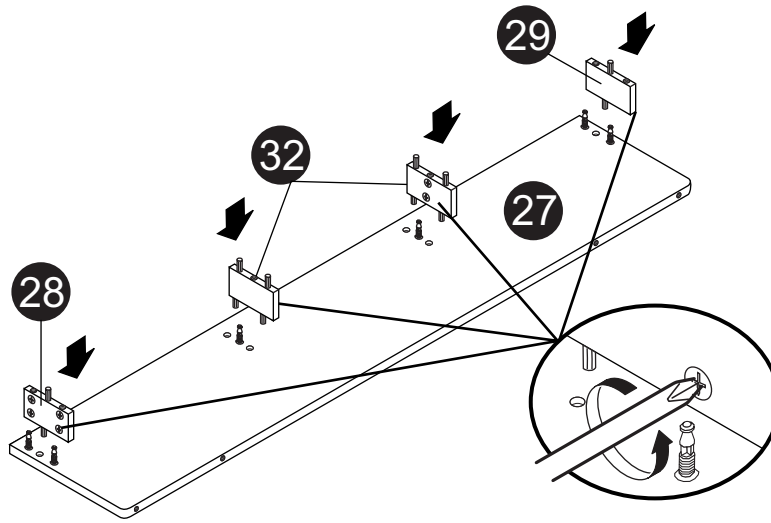


C x 18

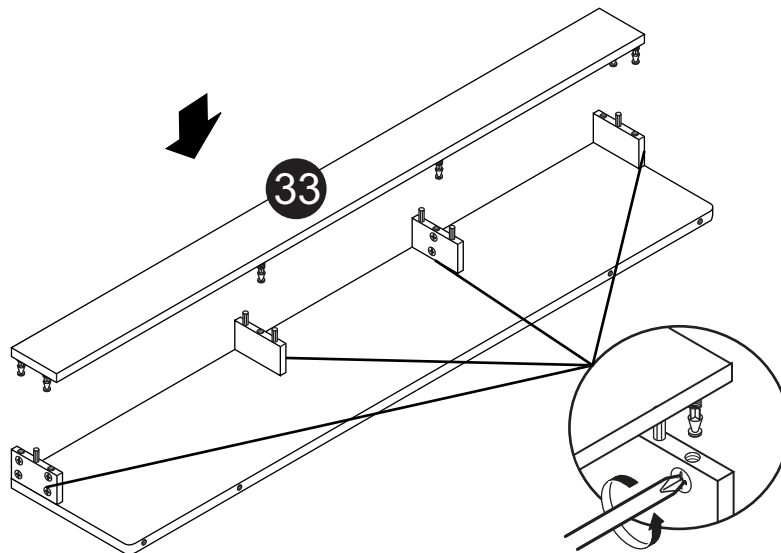


Model: CK 6310

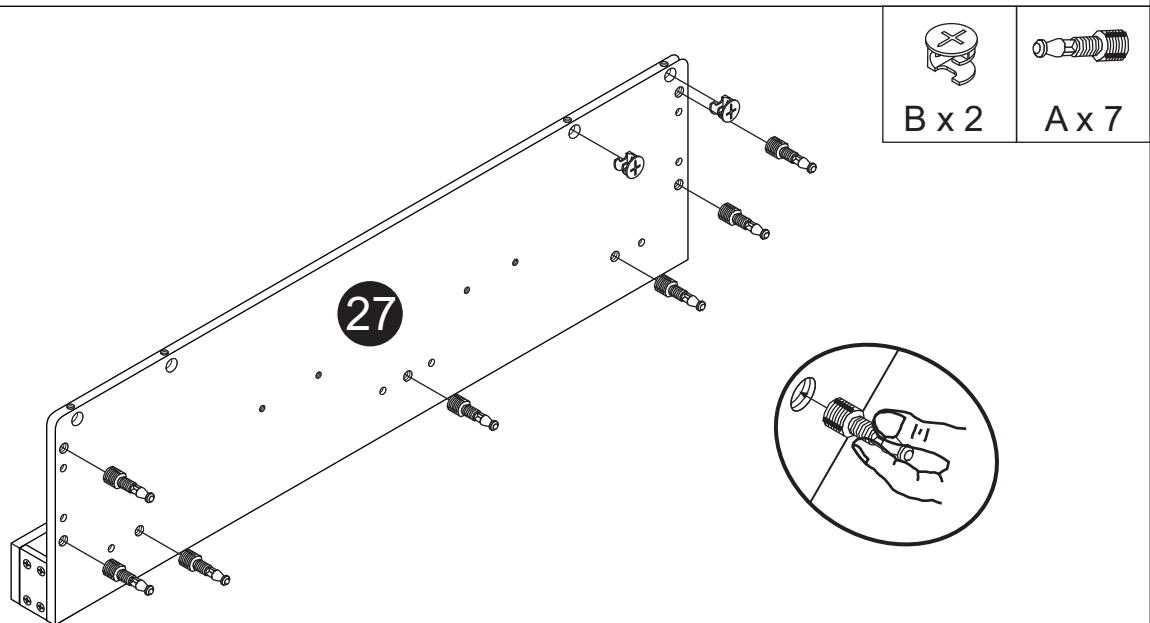
STEP 14



STEP 15



STEP 16



GUIDE TO ASSEMBLY

12 / 32

Model: CK 6310

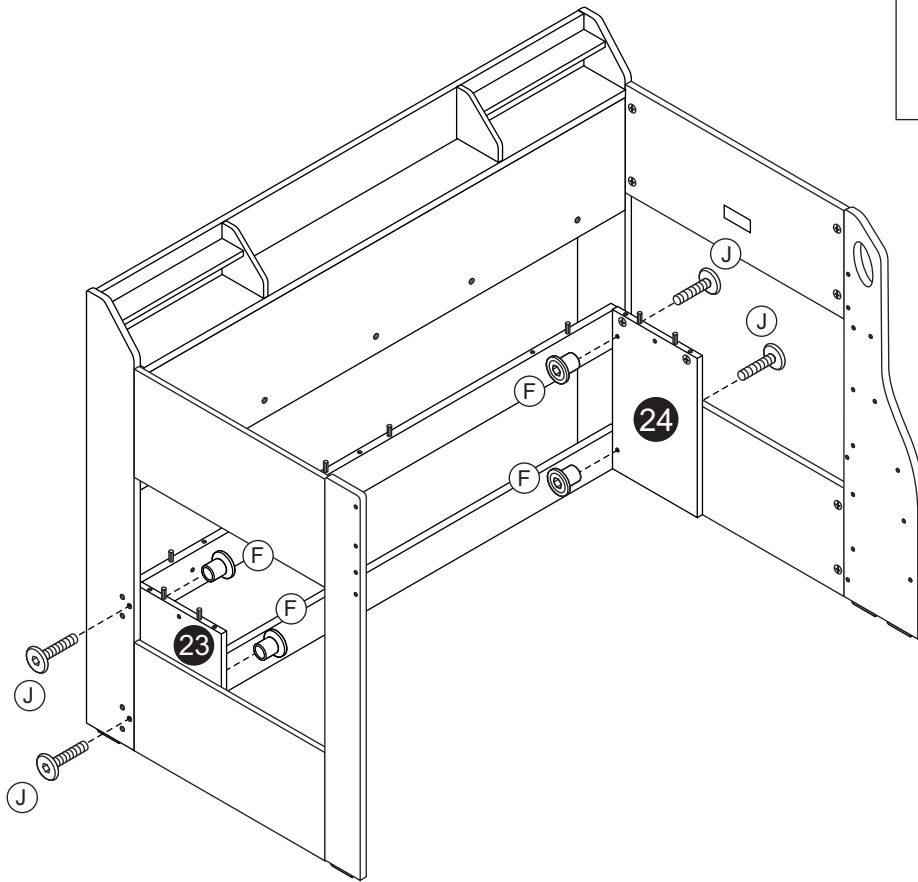
STEP 17



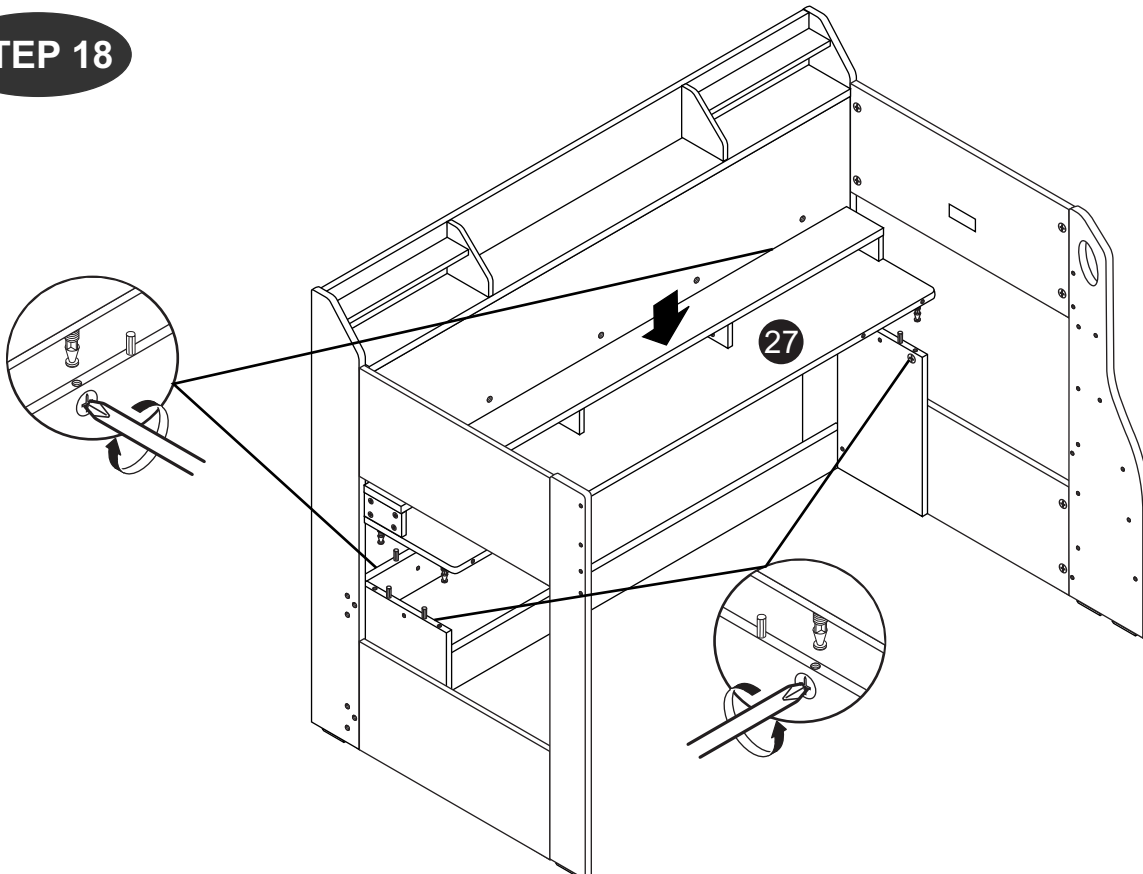
F x 4



J x 4



STEP 18

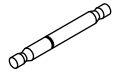
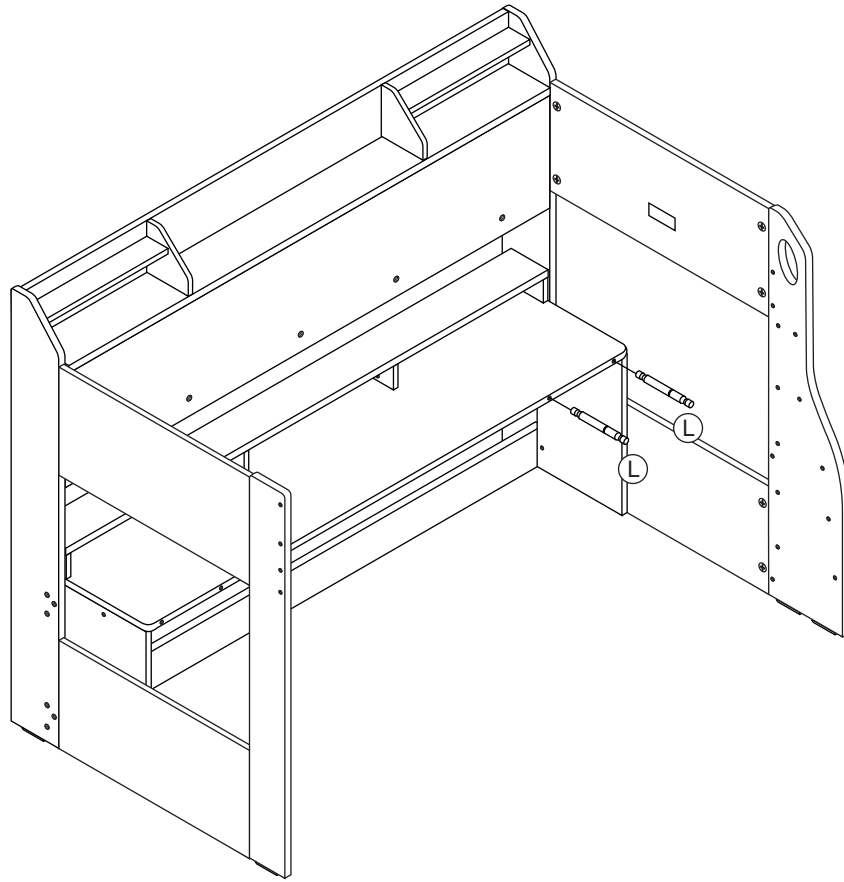


GUIDE TO ASSEMBLY

13
32

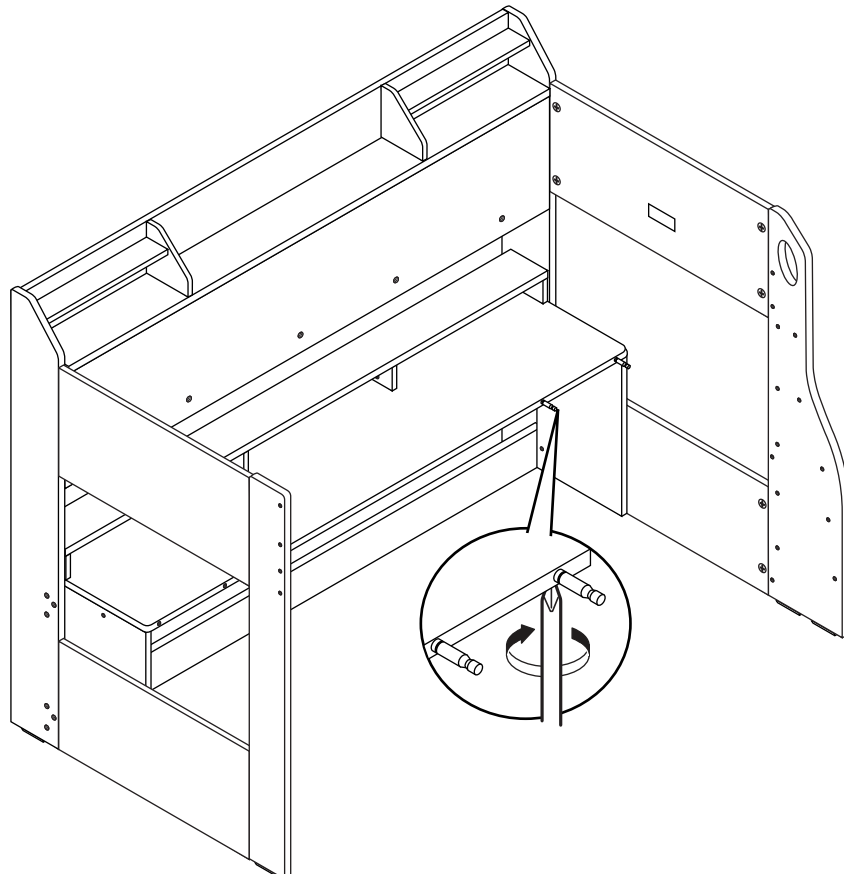
Model: CK 6310

STEP 19



L x 2

STEP 20

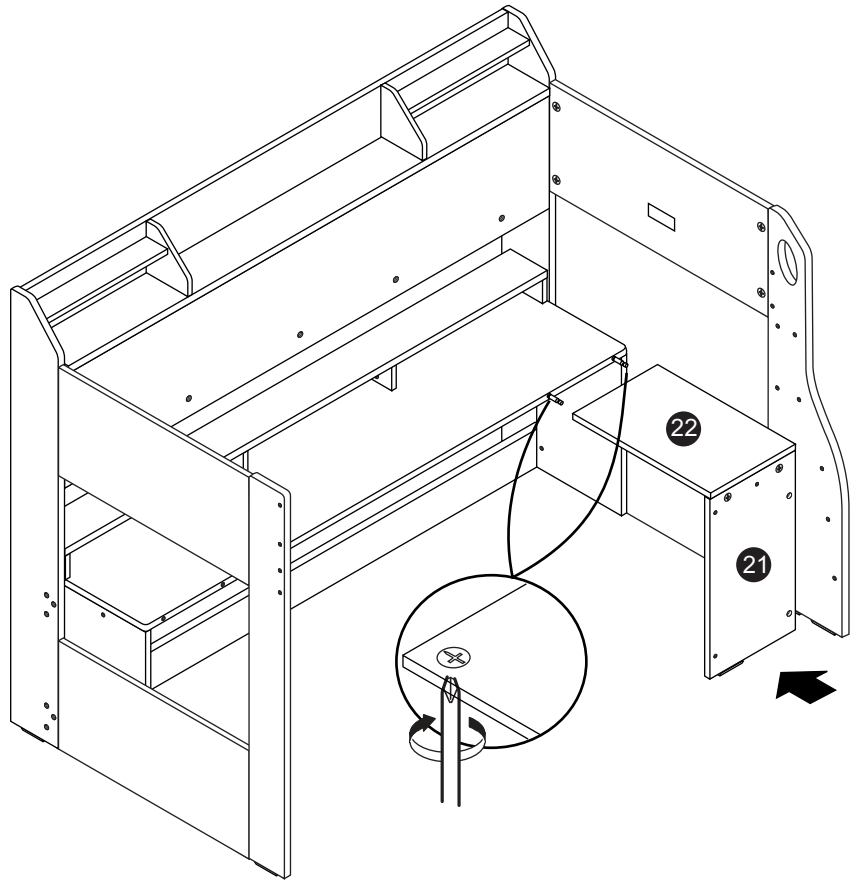
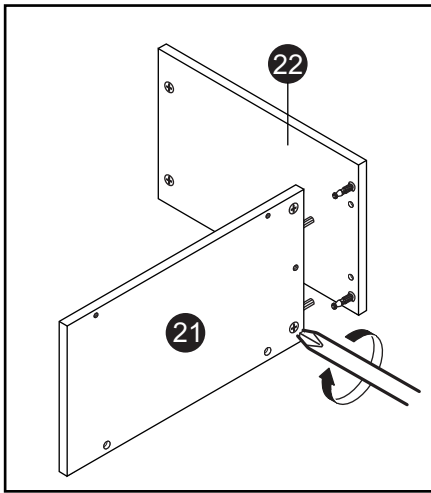


GUIDE TO ASSEMBLY

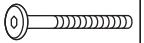
14
32

Model: CK 6310

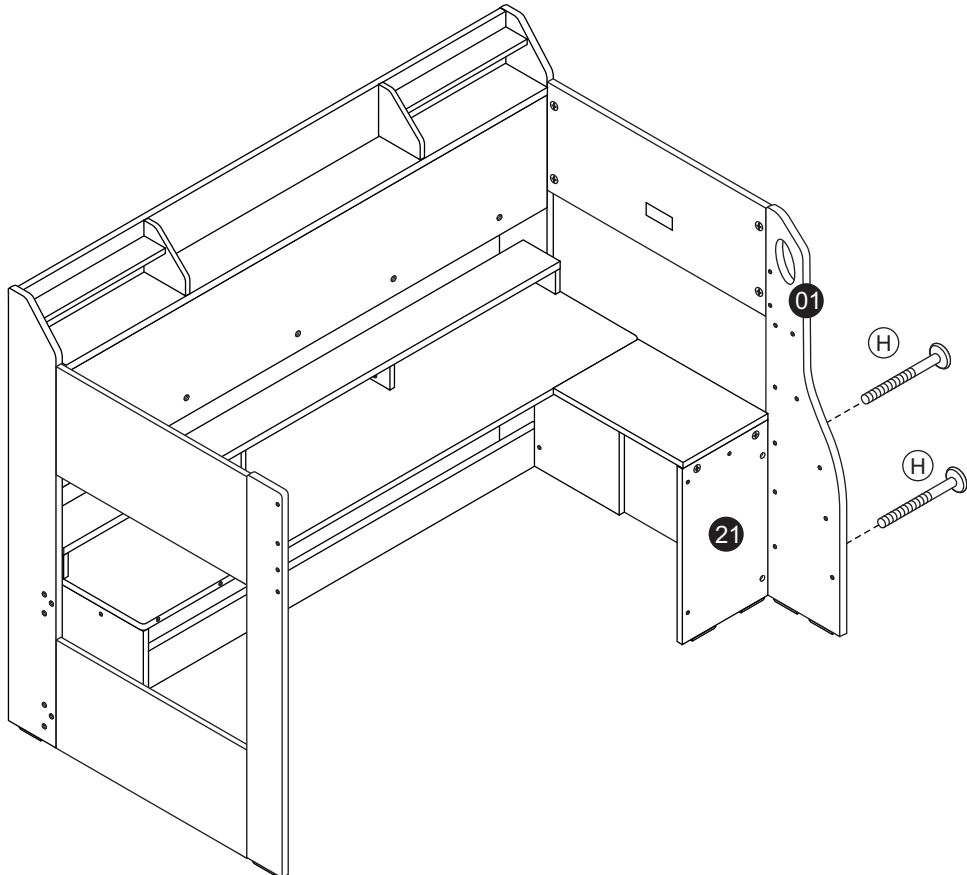
STEP 21



STEP 22



H x 2

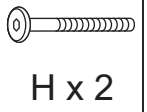
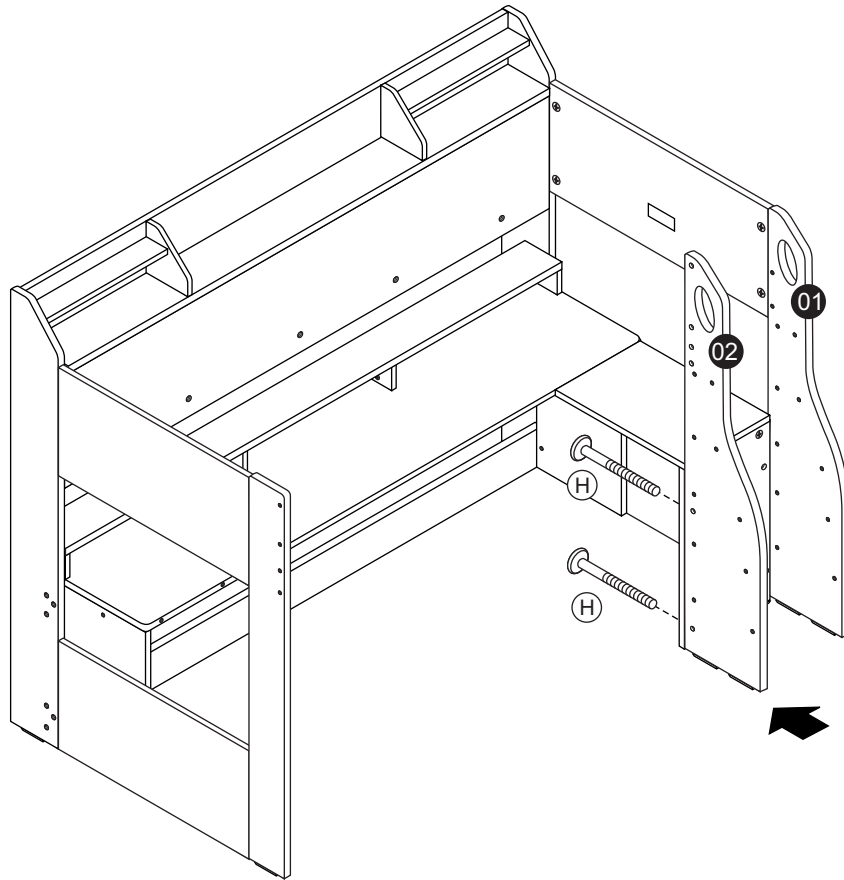


GUIDE TO ASSEMBLY

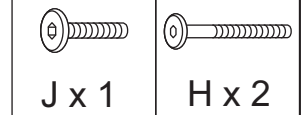
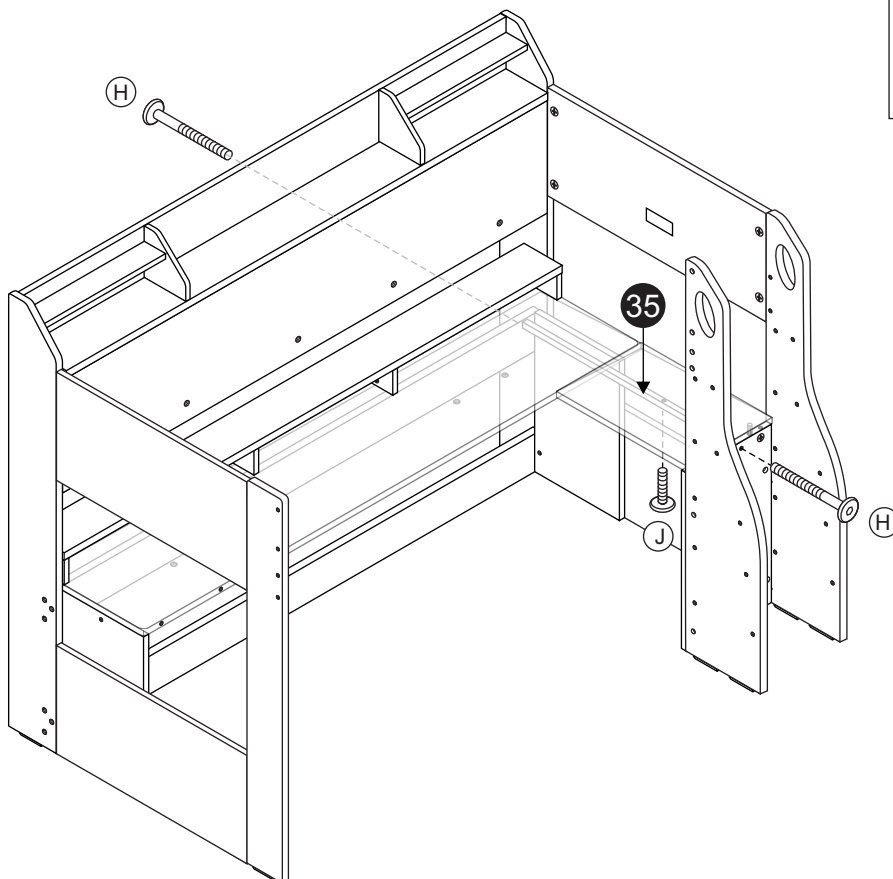
15
32

Model: CK 6310

STEP 23



STEP 24

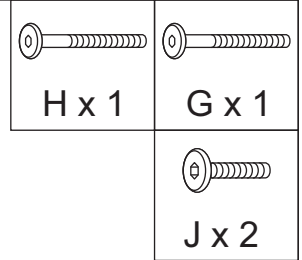
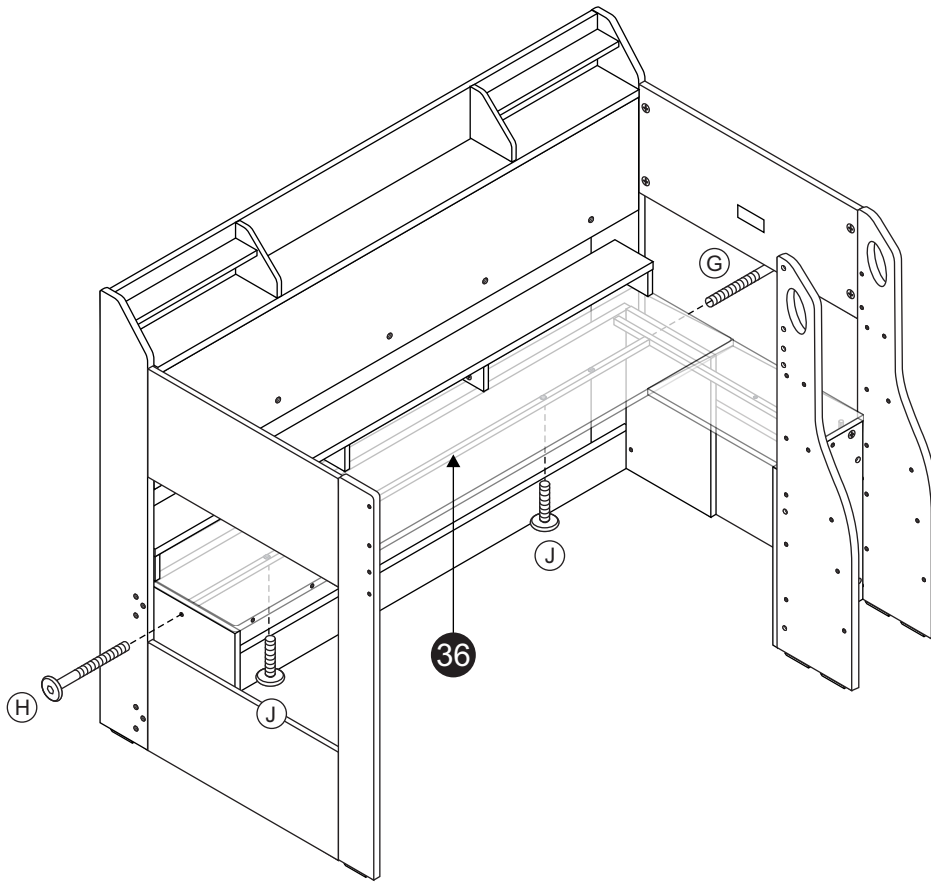


GUIDE TO ASSEMBLY

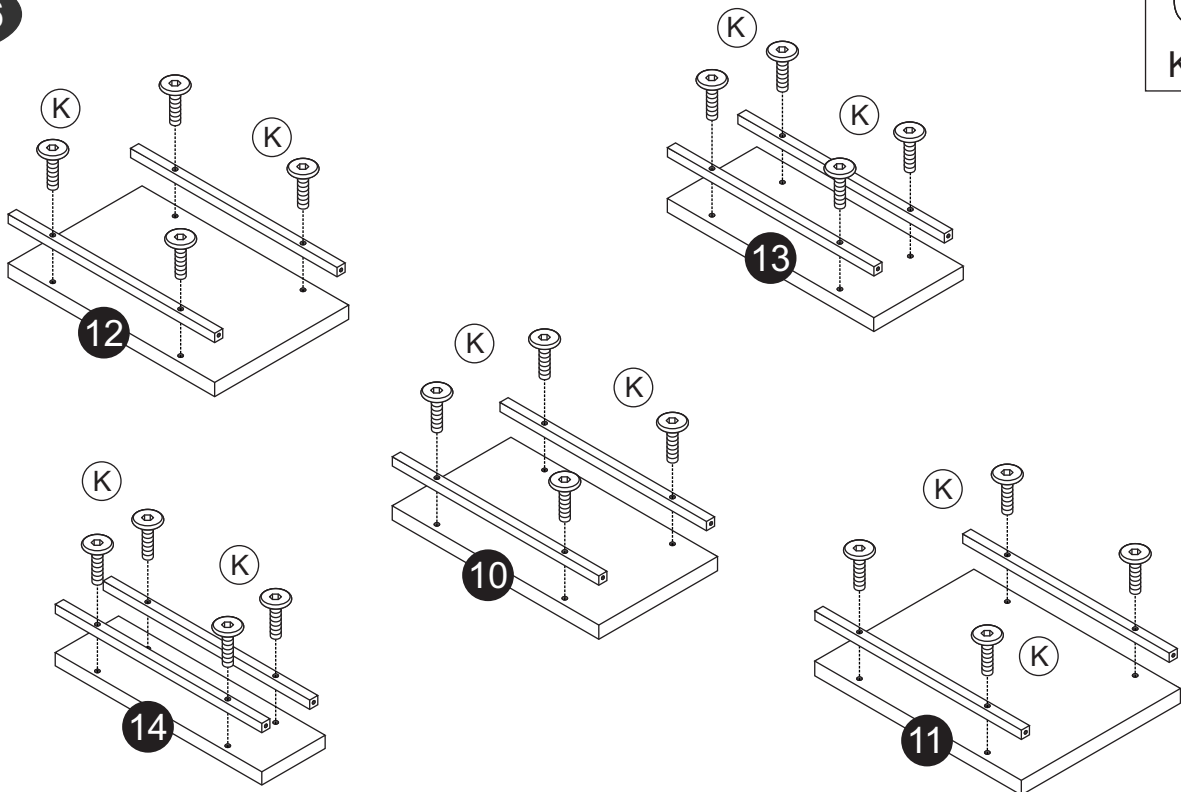
16 / 32

Model: CK 6310

STEP 25

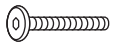
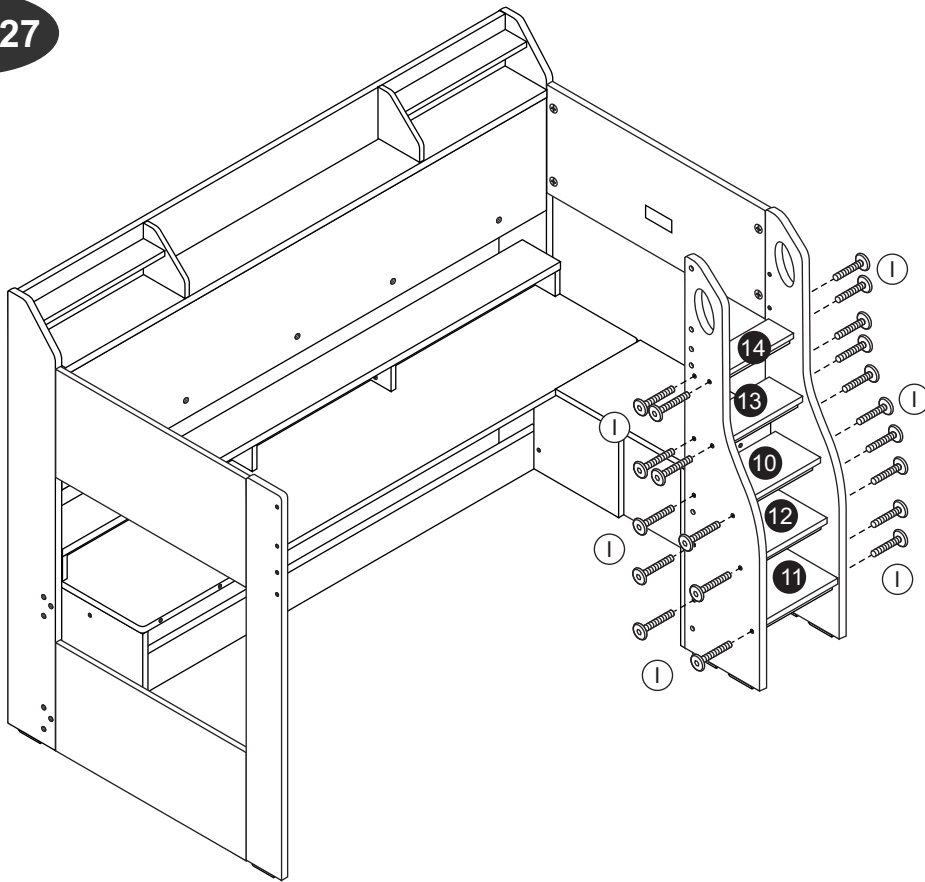


STEP 26

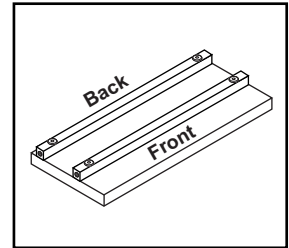


Model: CK 6310

STEP 27

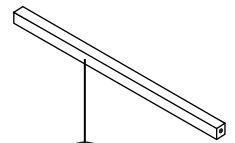


I x 20



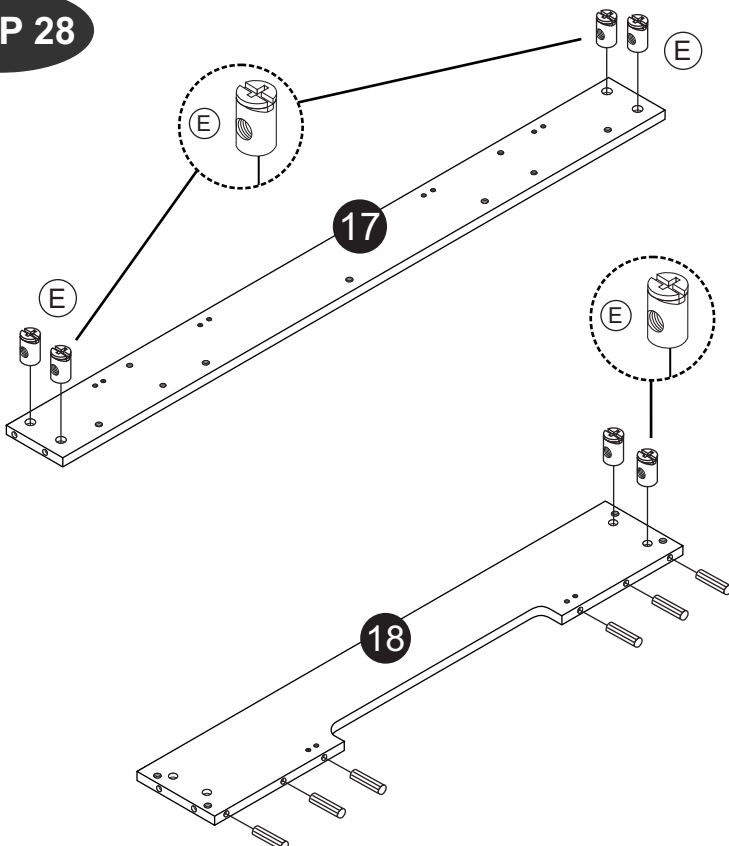
*Important

DO NOT
Stand on the steps without
attaching the support bars
(part 34 x 10).



34 x 10

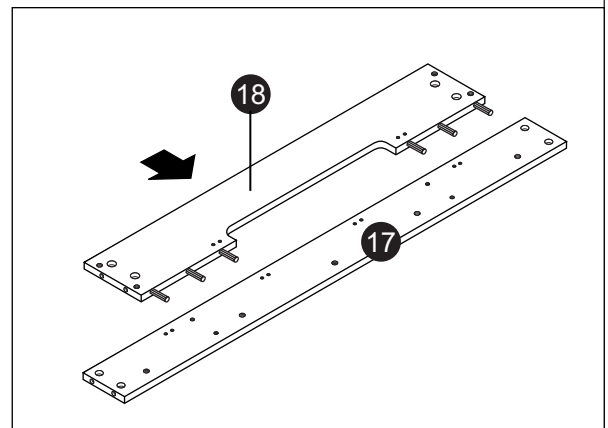
STEP 28



D x 6

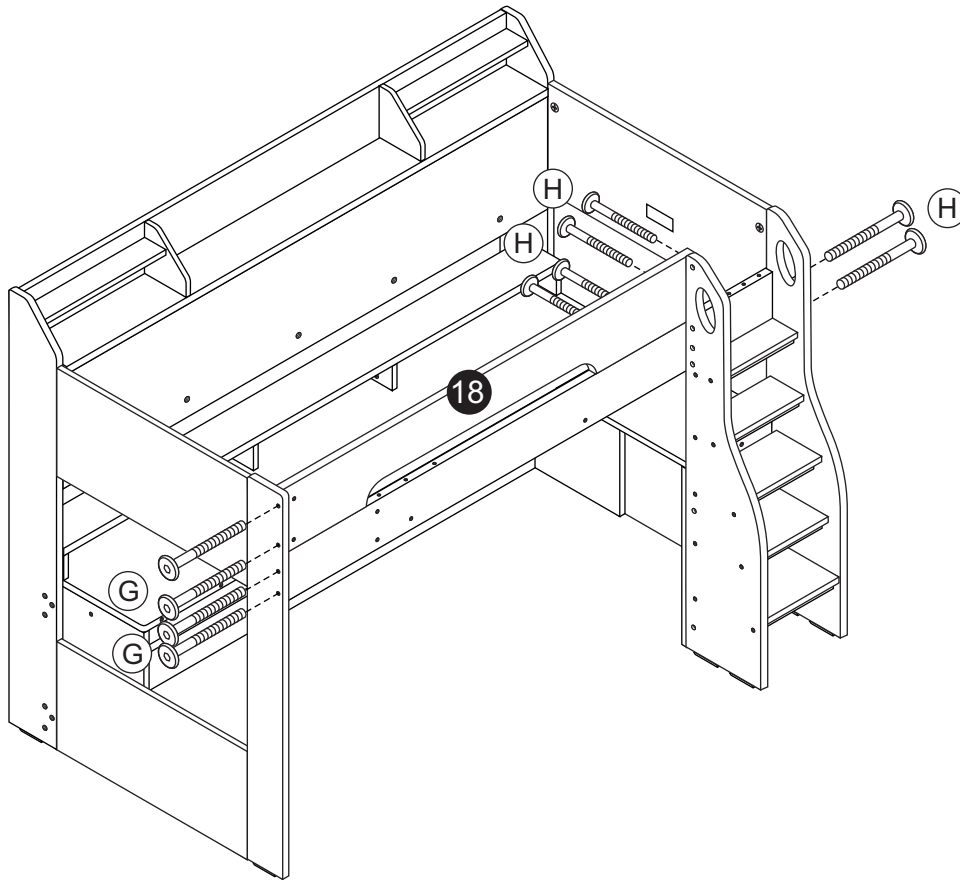



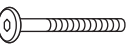
E x 6



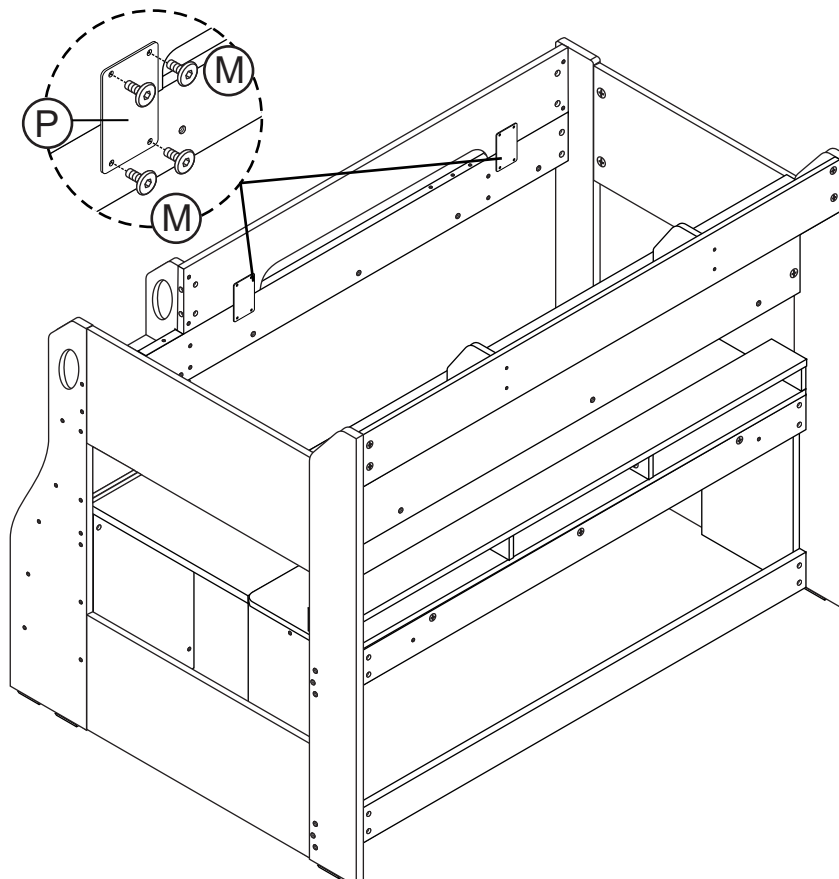
Model: CK 6310



STEP 29



	
H x 6	G x 4

STEP 30



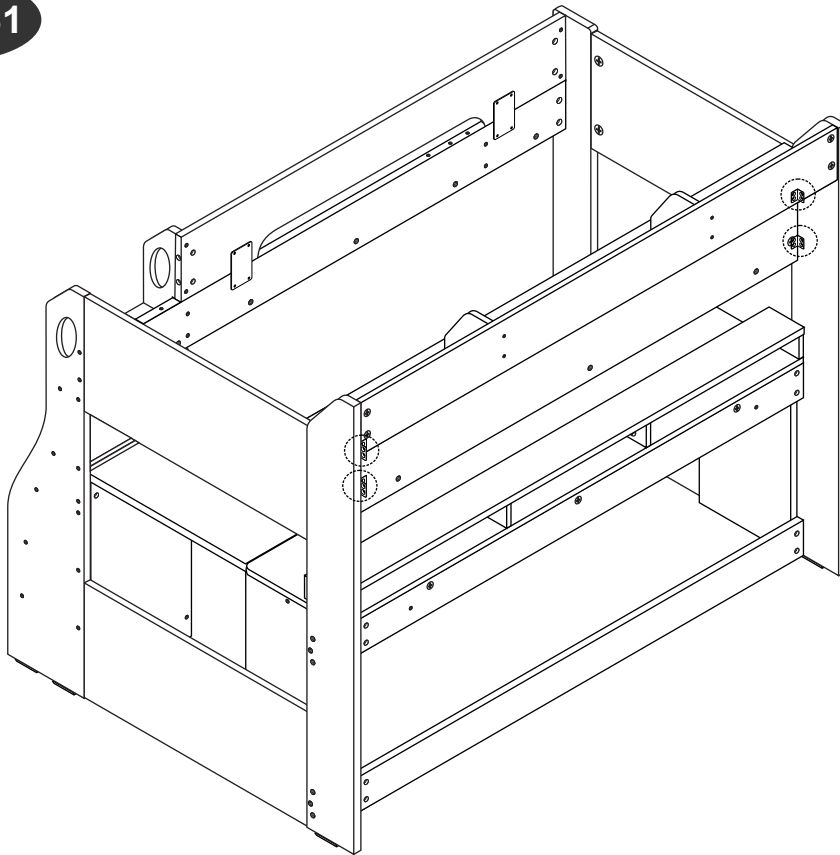
	
P x 2	M x 8

GUIDE TO ASSEMBLY

19
32

Model: CK 6310

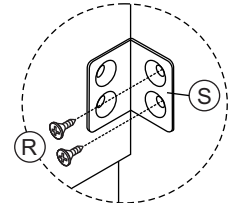
STEP 31



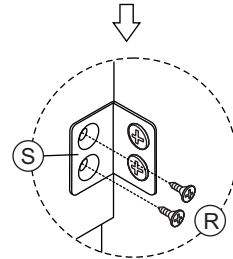
S x 4



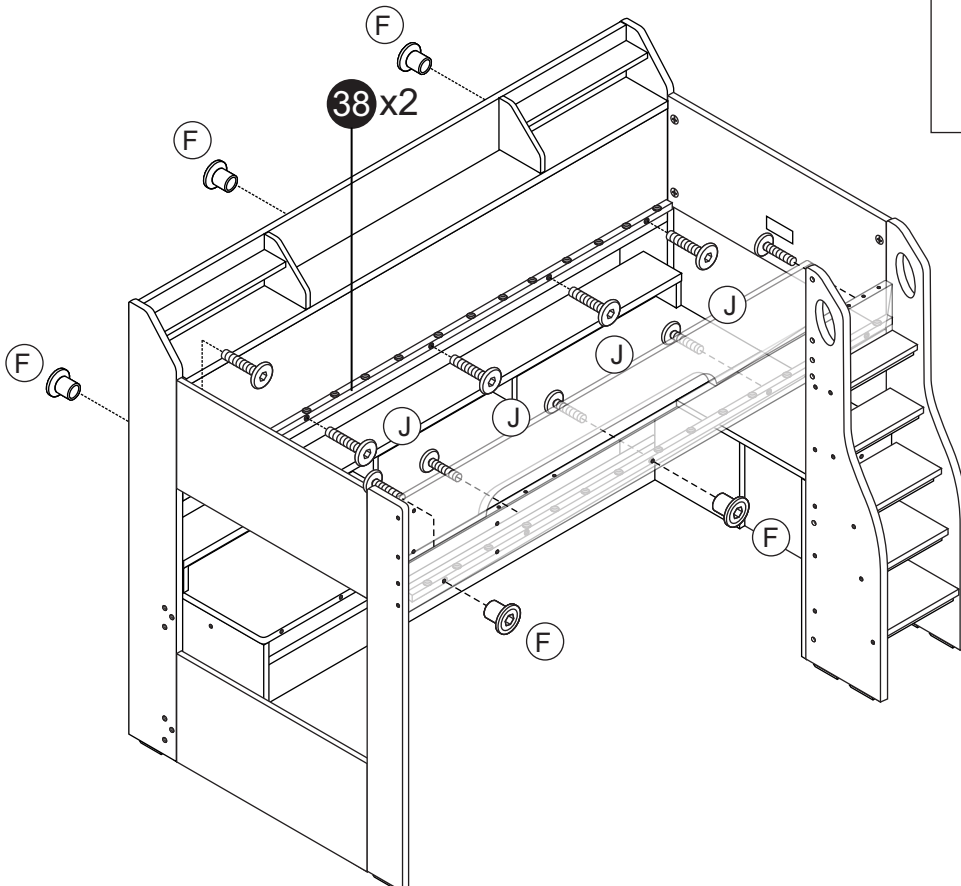
R x 16



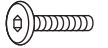
USE PRE-DRILLED
HOLES IN PART 4



STEP 32



F x 5



J x 10

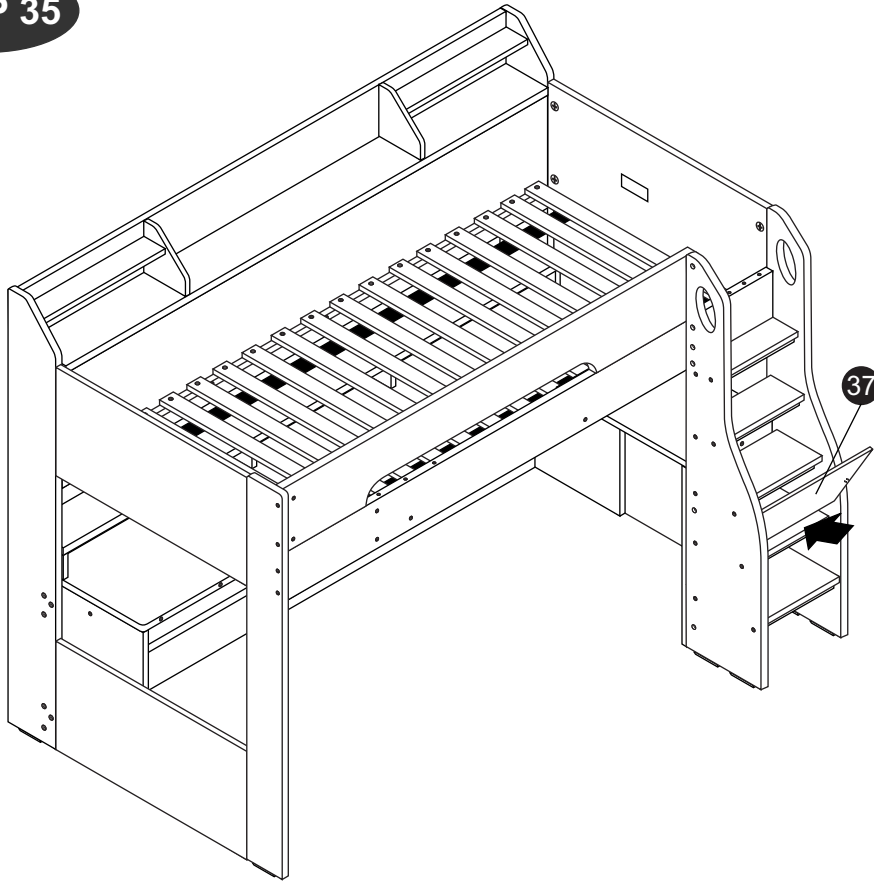
38x2

GUIDE TO ASSEMBLY

21
32

Model: CK 6310

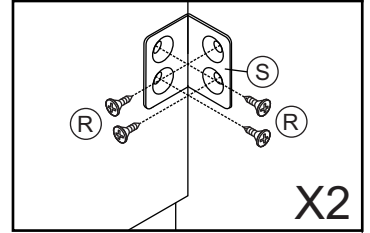
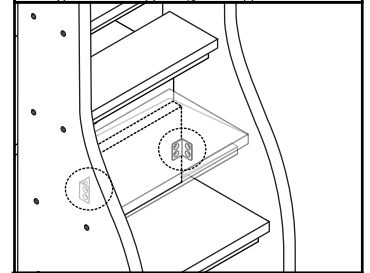
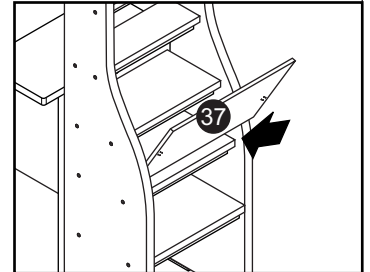
STEP 35



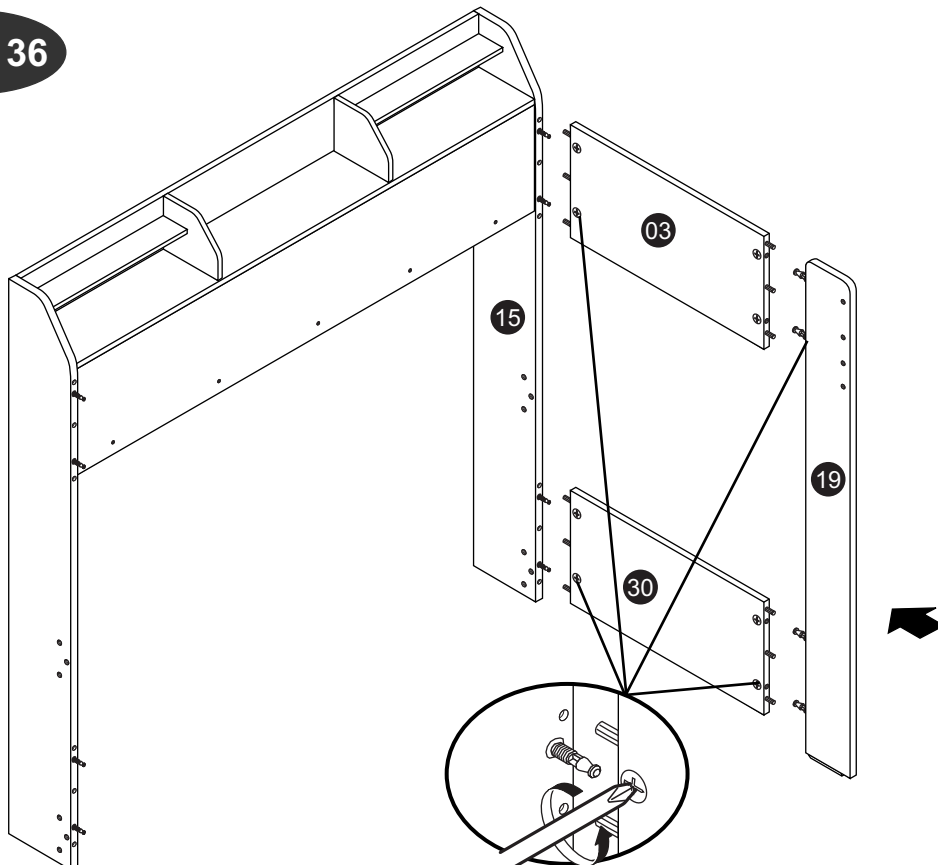
S x 2



R x 8



STEP 36



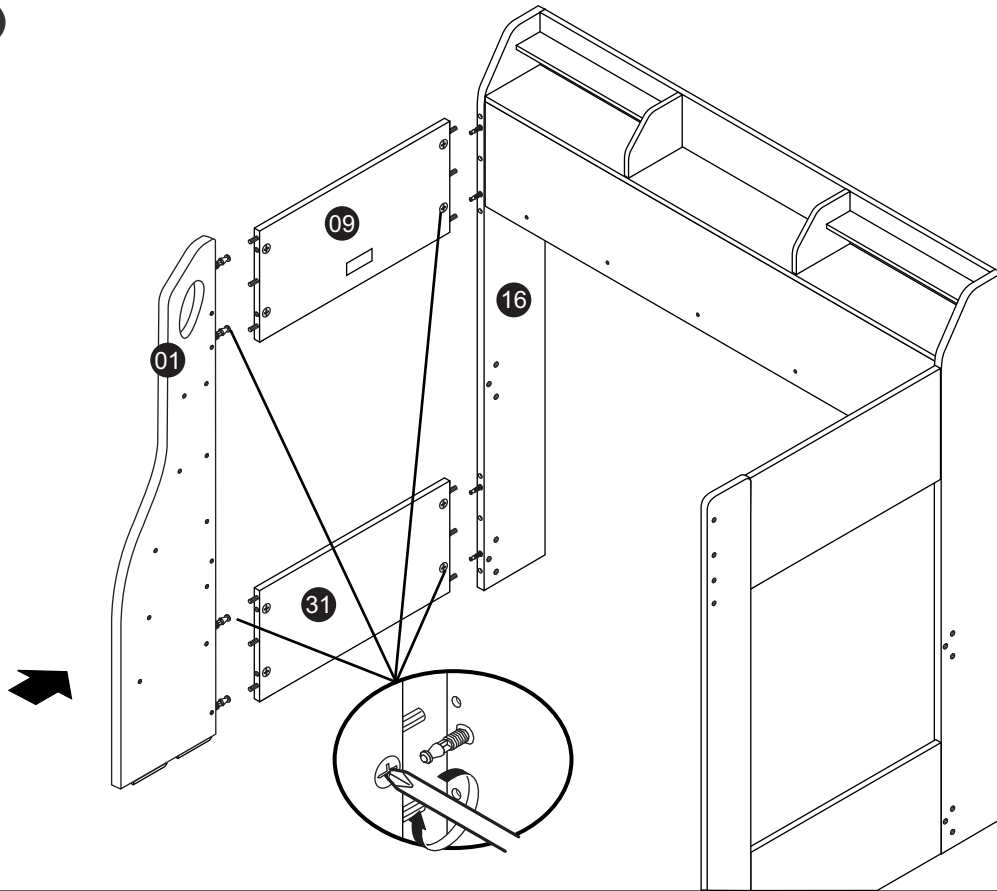
Option B

GUIDE TO ASSEMBLY

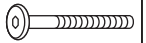
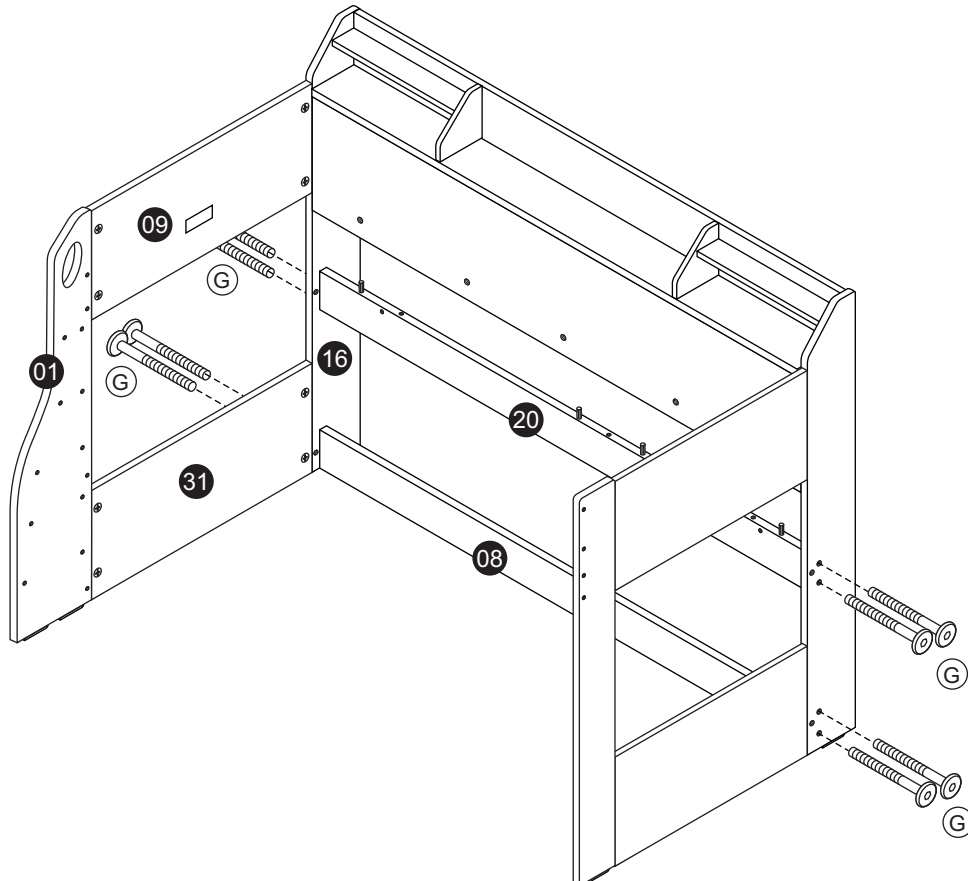
22
32

Model: CK 6310

STEP 37



STEP 38



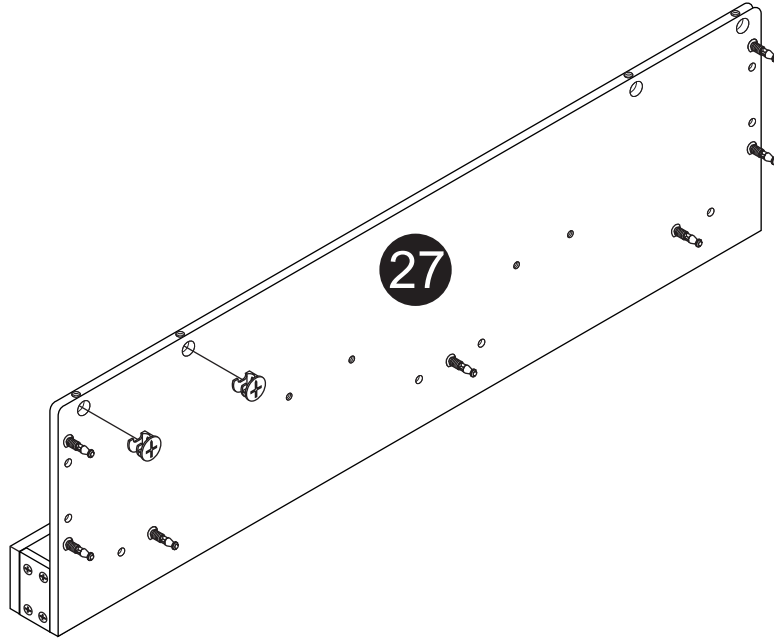
G x 8

GUIDE TO ASSEMBLY

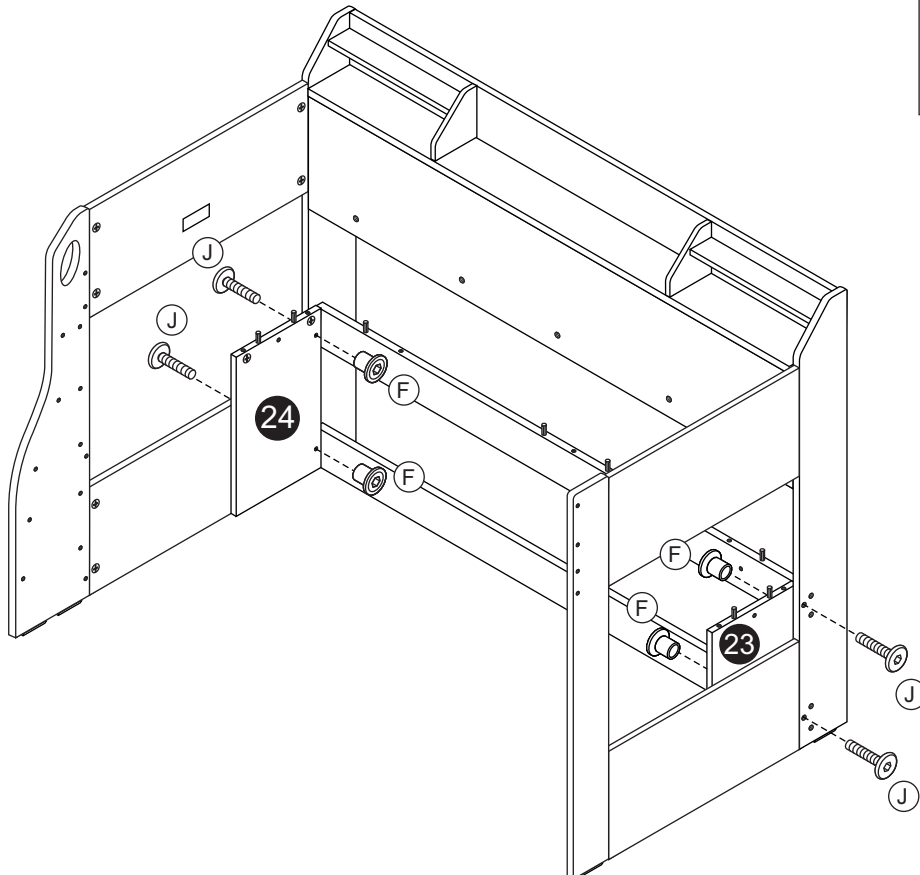
23
32

Model: CK 6310

STEP 39



STEP 40



F x 4



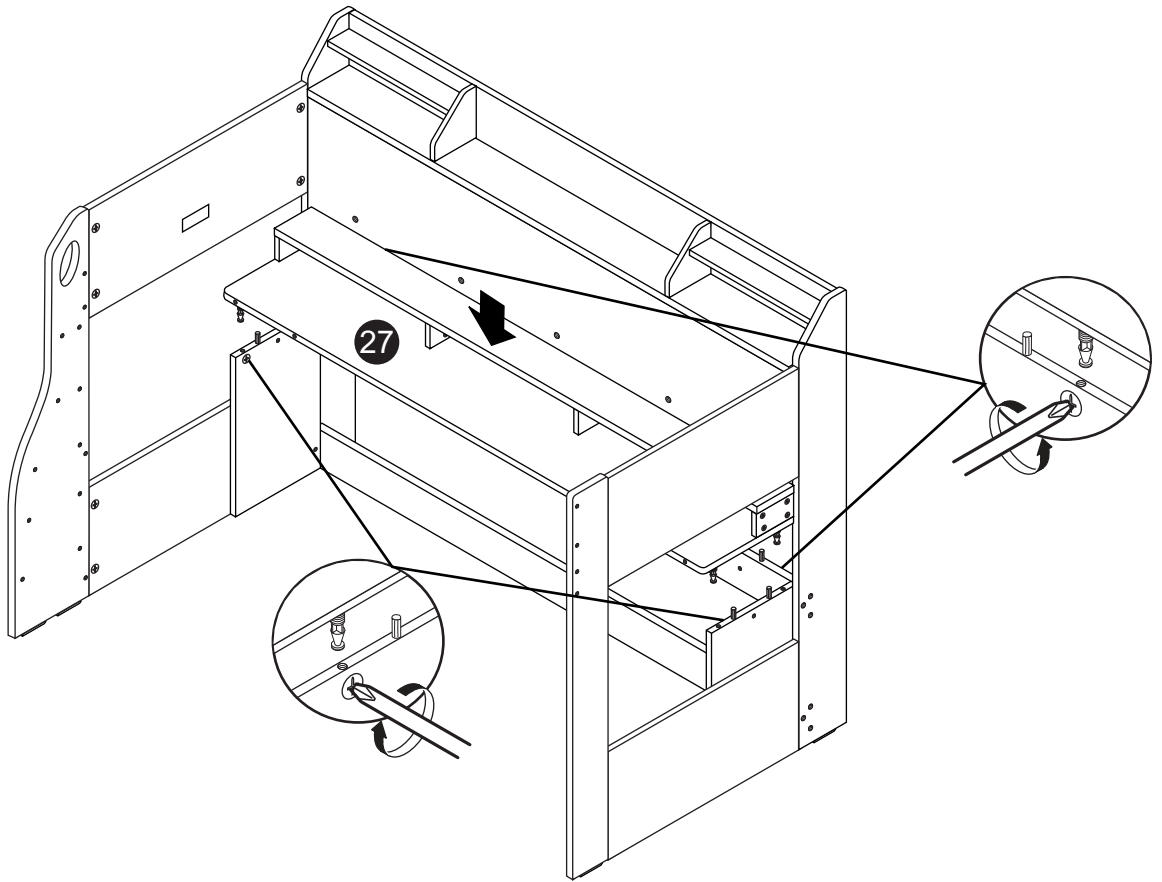
J x 4

GUIDE TO ASSEMBLY

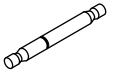
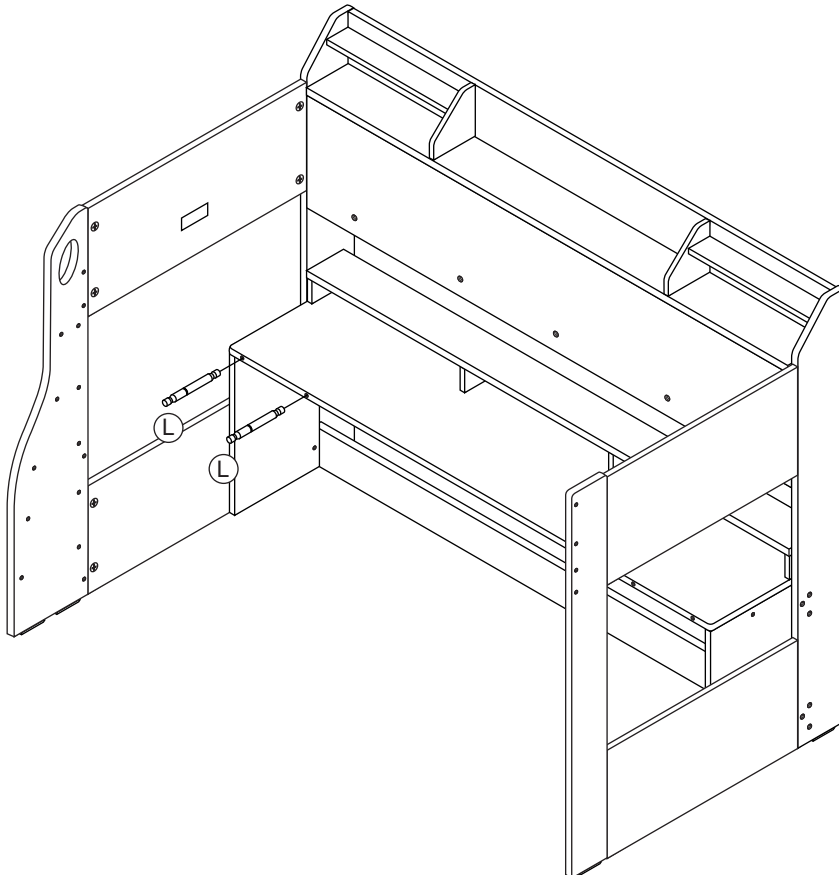
24
32

Model: CK 6310

STEP 41



STEP 42



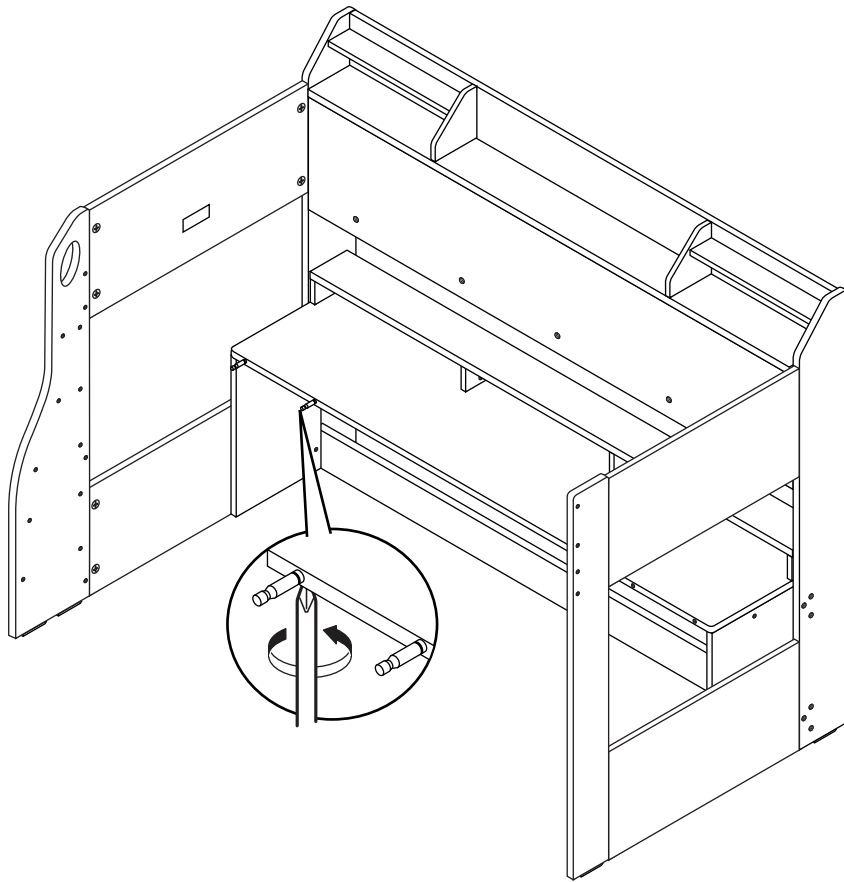
L x 2

GUIDE TO ASSEMBLY

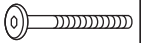
25
32

Model: CK 6310

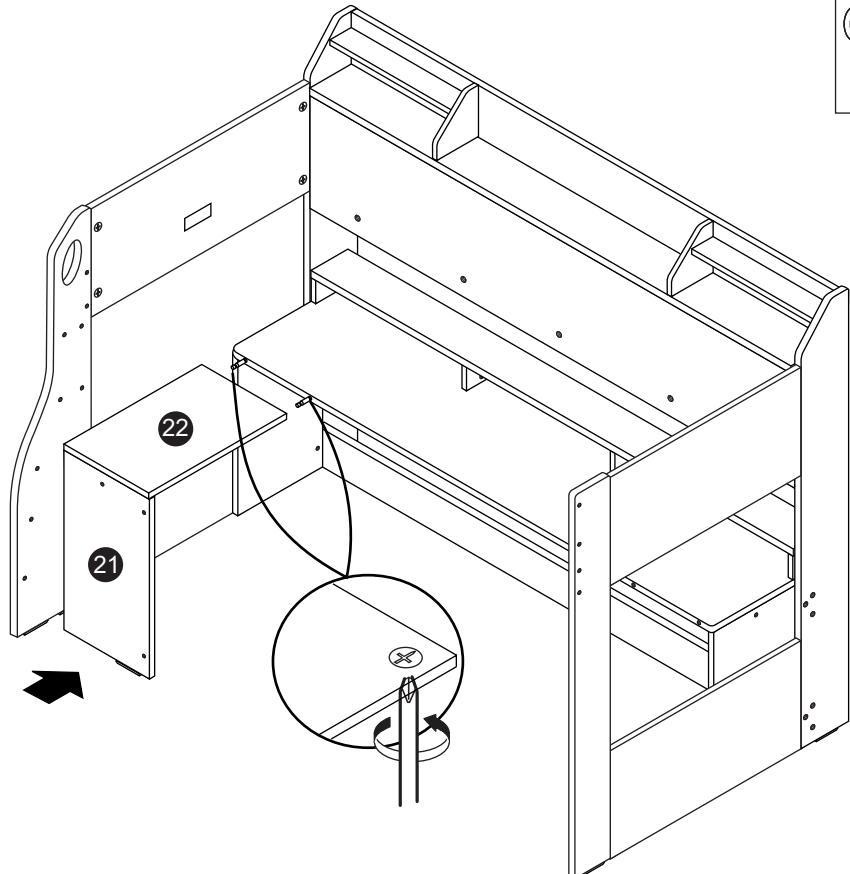
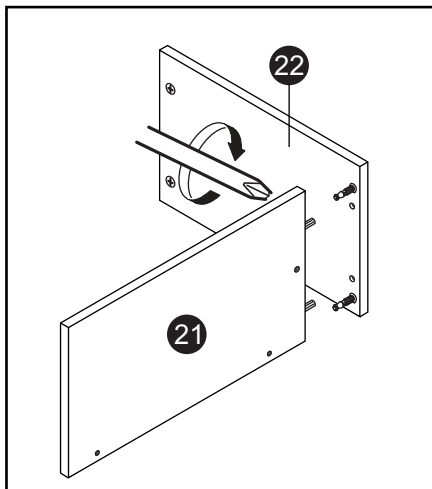
STEP 43



STEP 44



H x 2

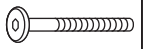
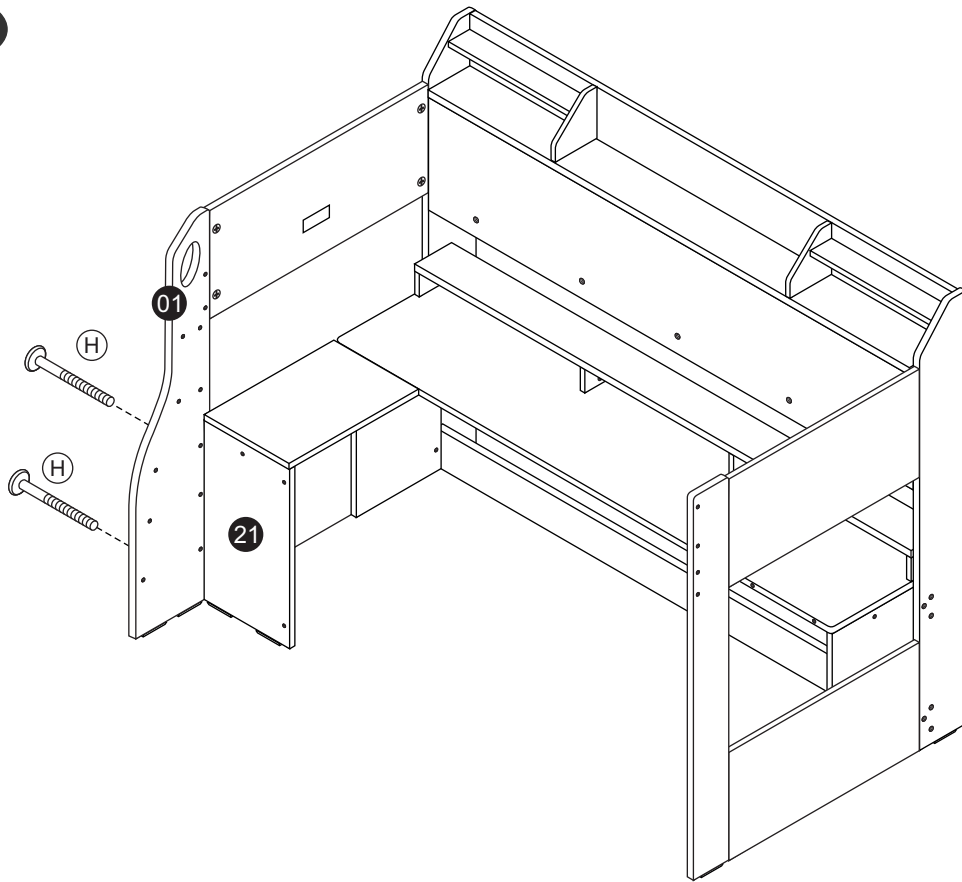


GUIDE TO ASSEMBLY

26
32

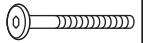
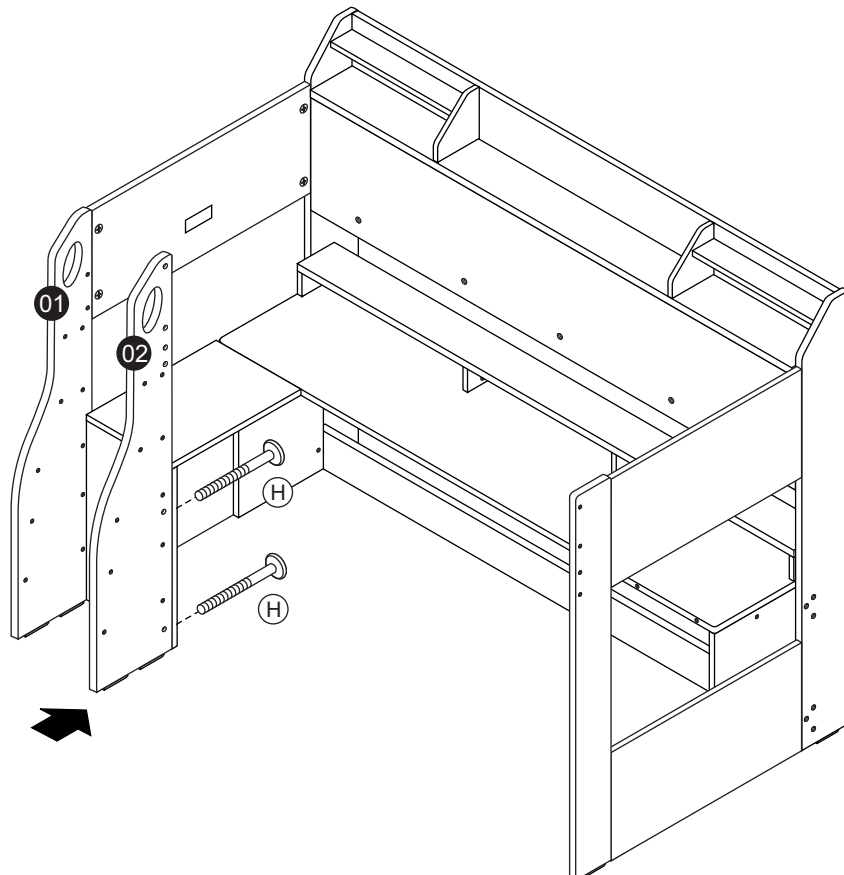
Model: CK 6310

STEP 45



H x 2

STEP 46



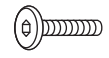
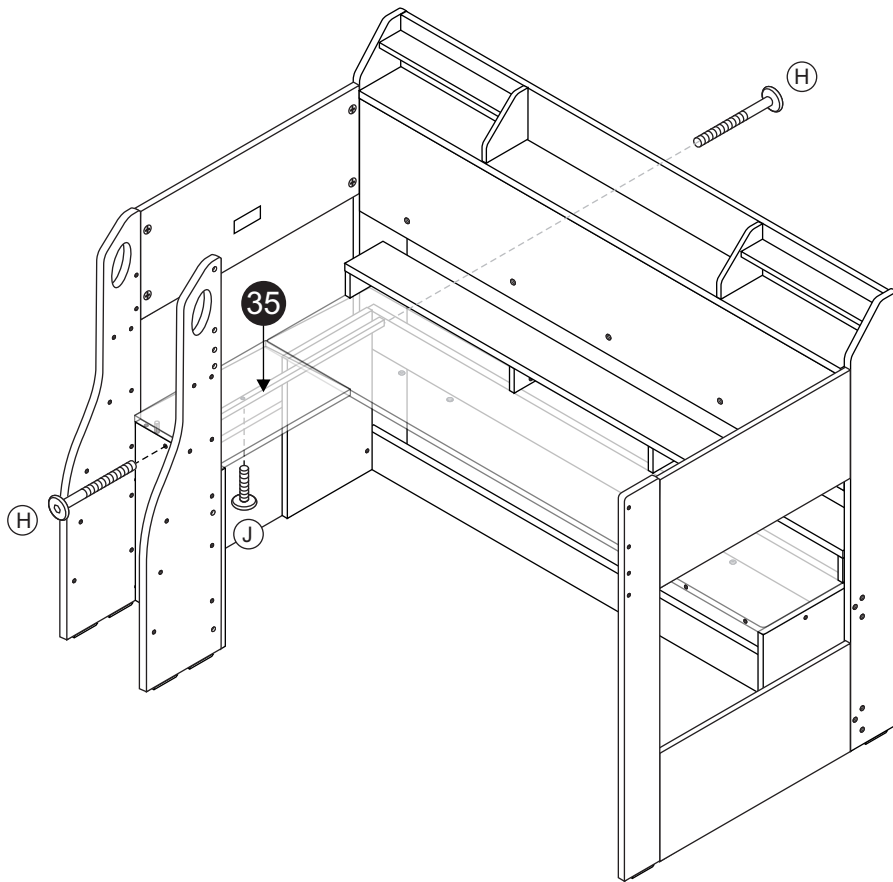
H x 2

GUIDE TO ASSEMBLY

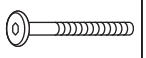
27
32

Model: CK 6310

STEP 47

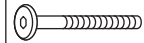
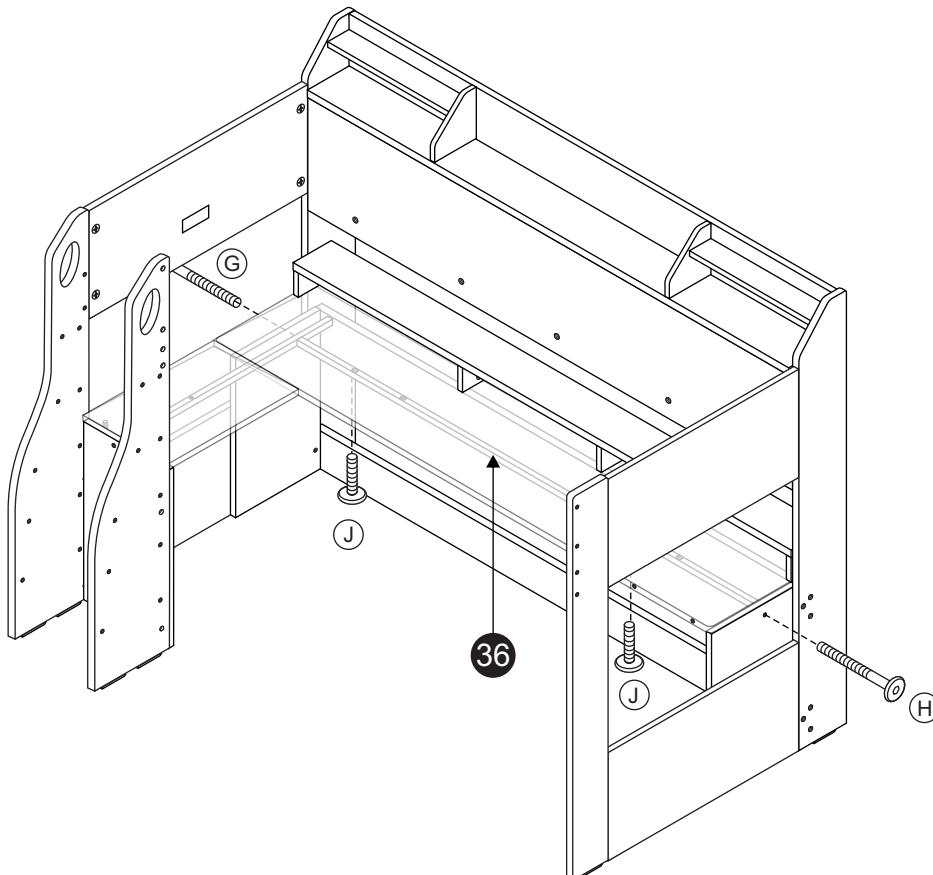


J x 1



H x 2

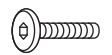
STEP 48



H x 1



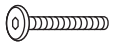
G x 1



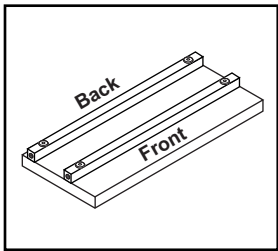
J x 2

Model: CK 6310

STEP 49

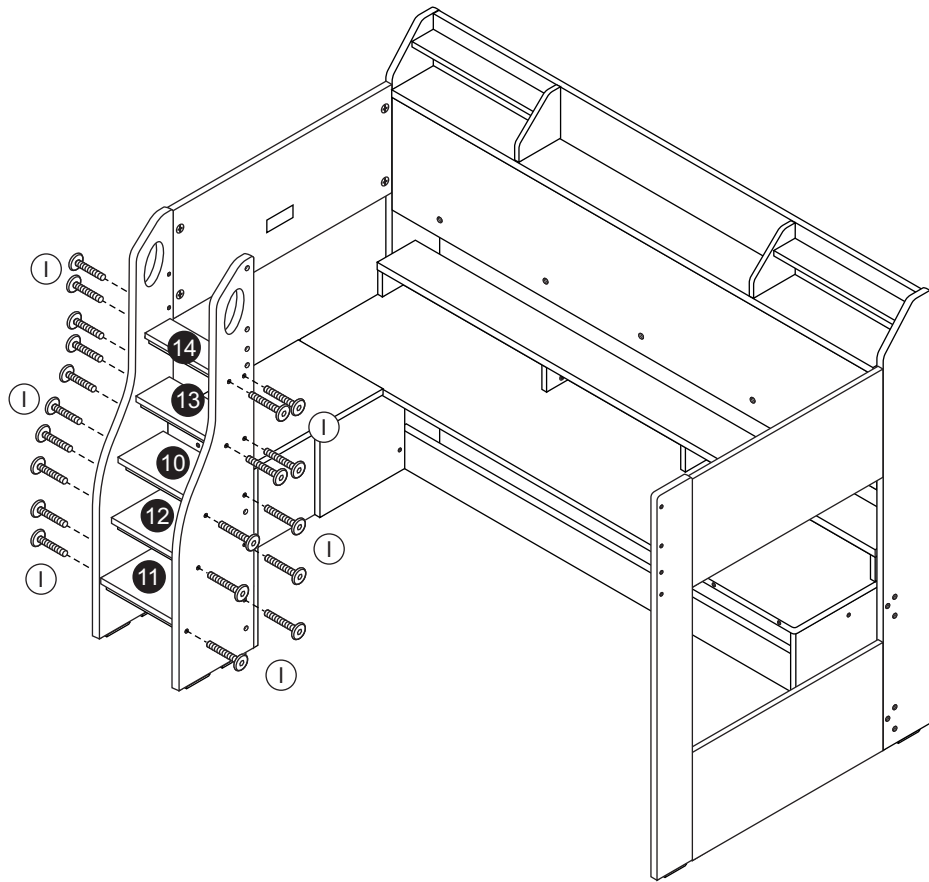
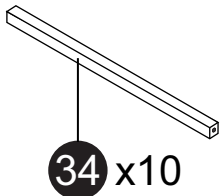


1 x 20



*Important

DO NOT
Stand on the steps without
attaching the support bars
(part 34 x 10).



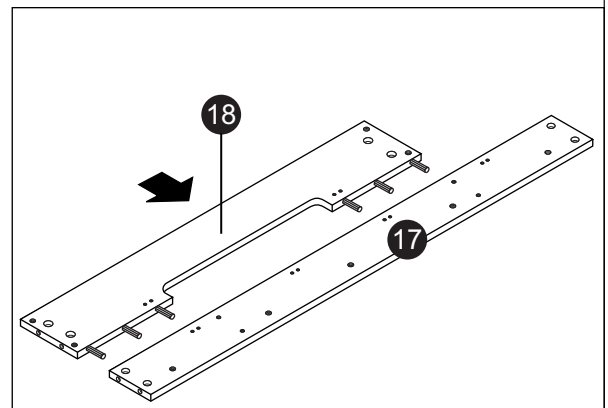
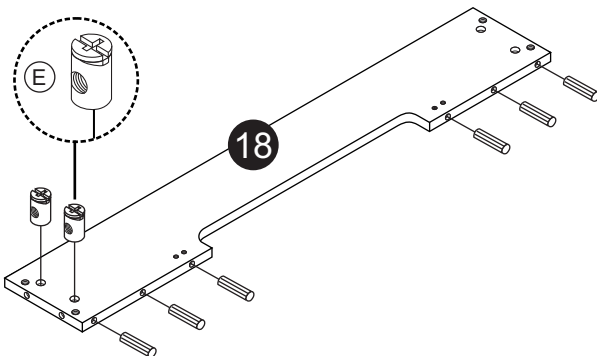
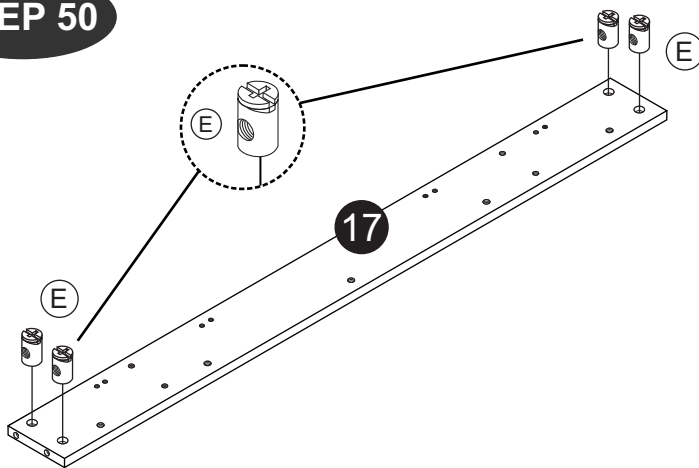
STEP 50



D x 6



E x 6

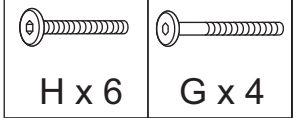
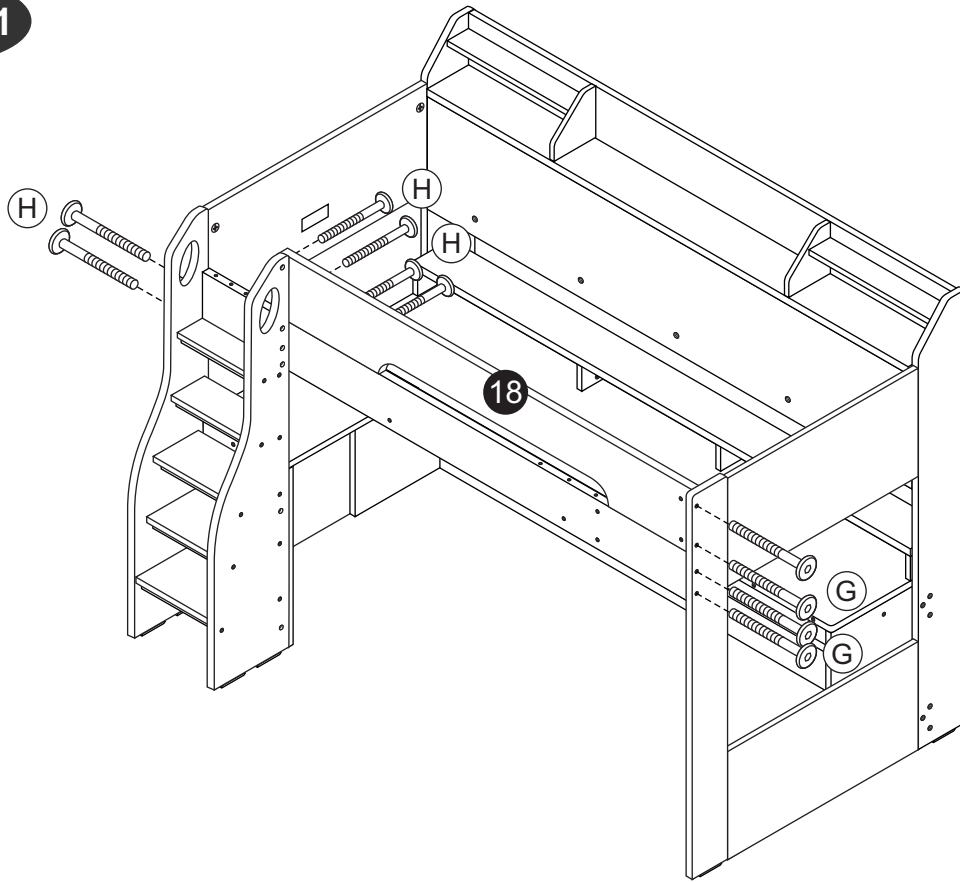


GUIDE TO ASSEMBLY

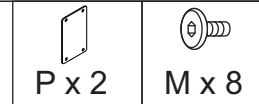
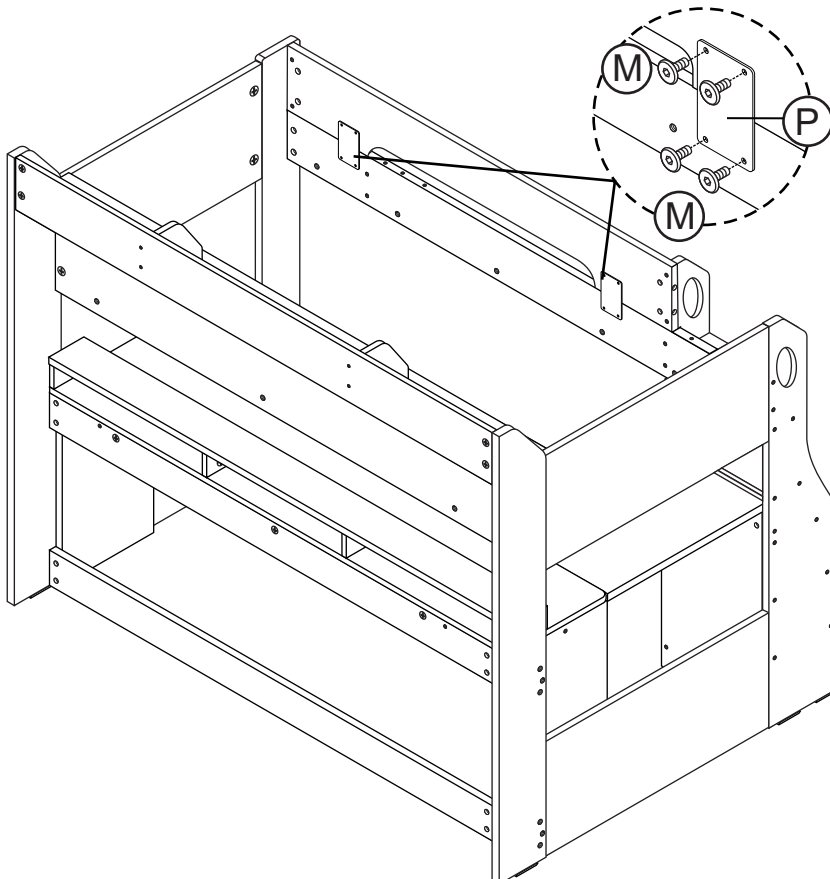
29
32

Model: CK 6310

STEP 51



STEP 52



GUIDE TO ASSEMBLY

30
32

Model: CK 6310

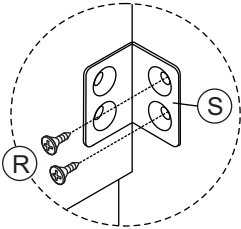
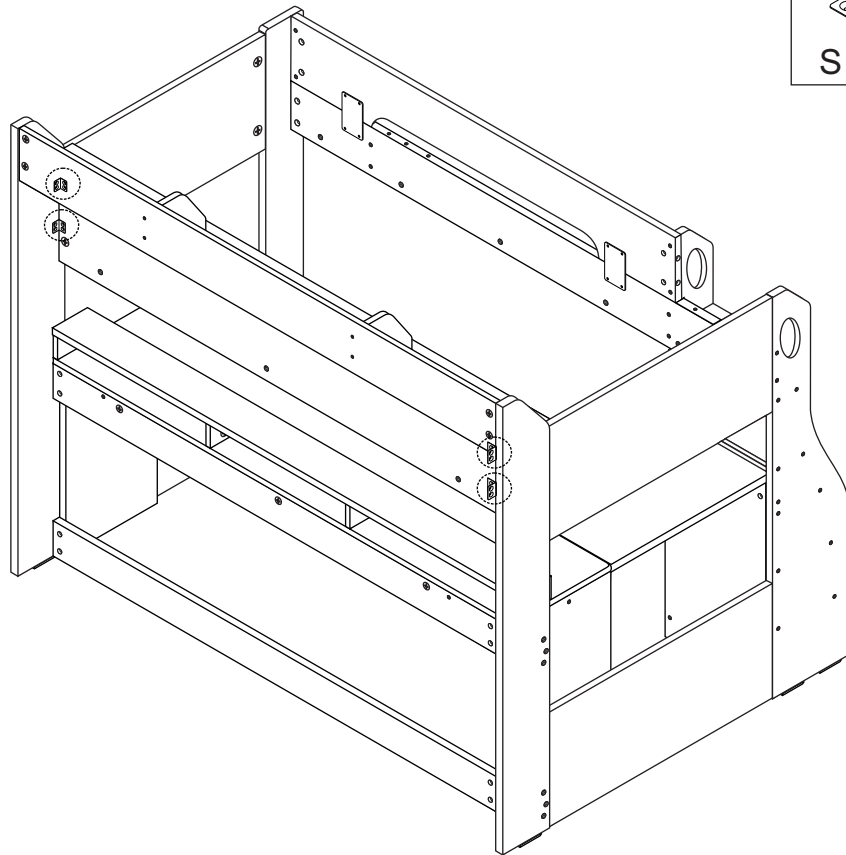
STEP 53



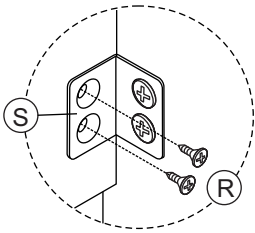
S x 4



R x 16



USE PRE-DRILLED HOLES IN PART4



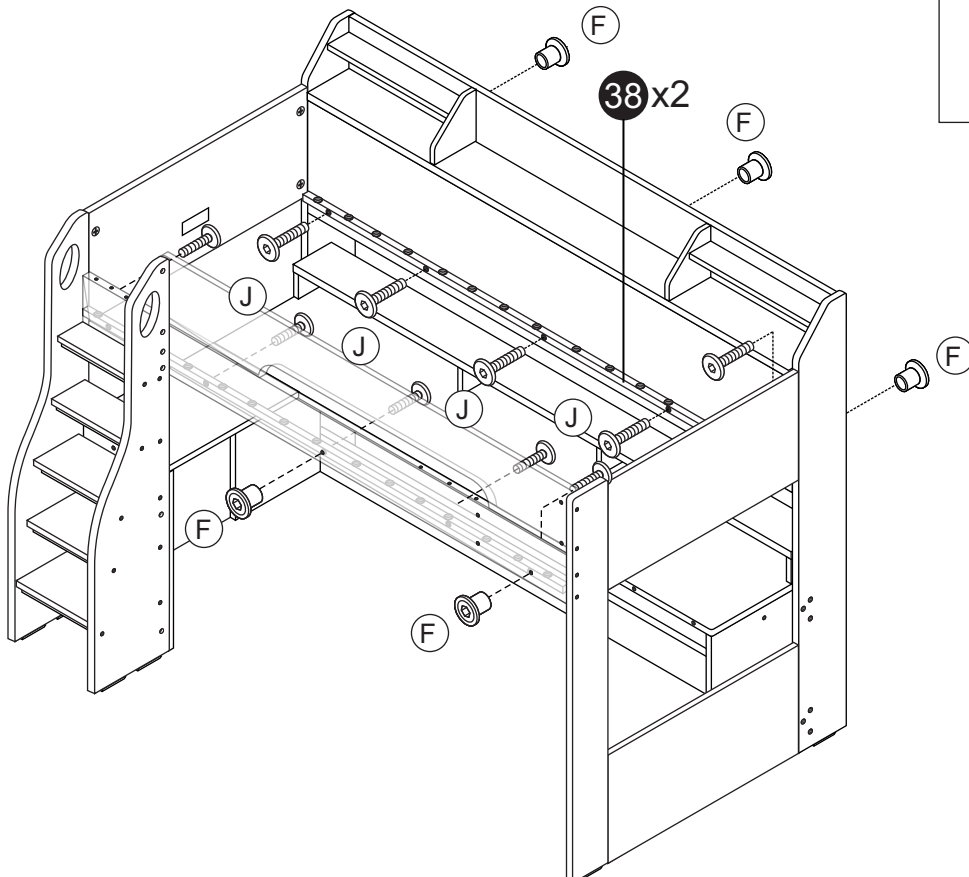
STEP 54



F x 5



J x 10

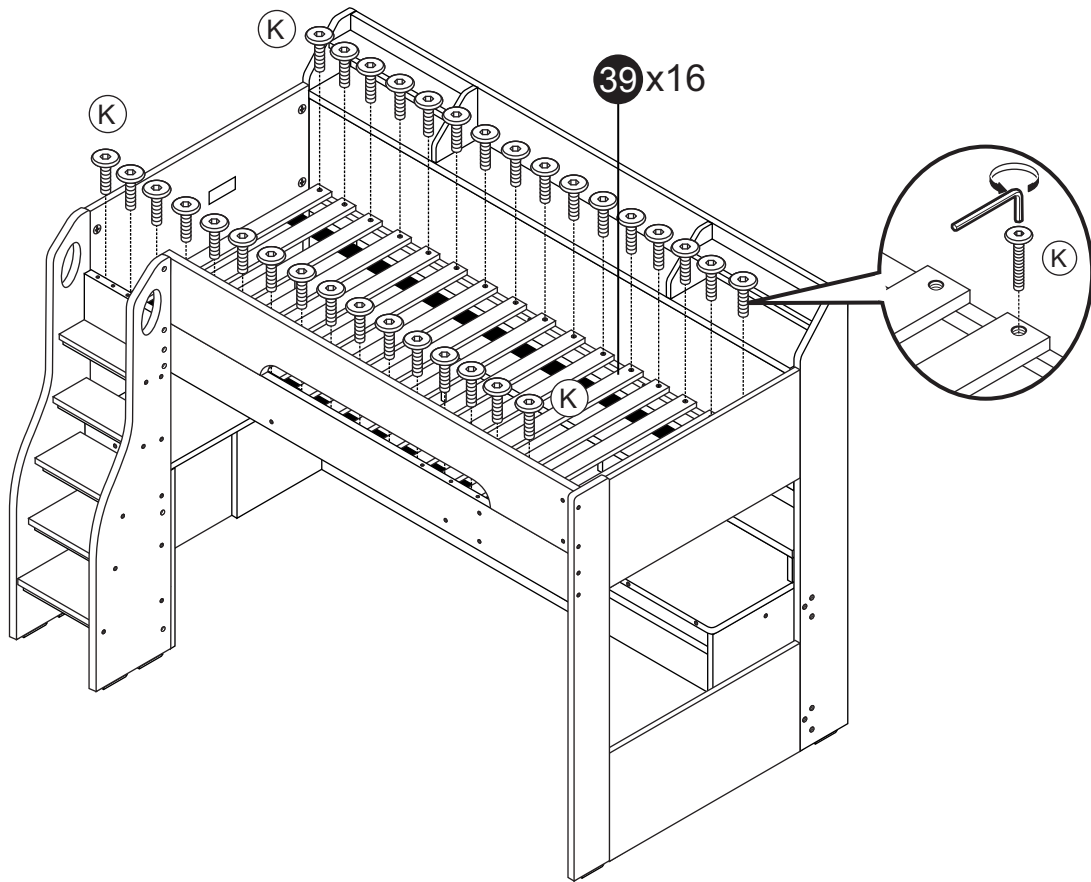


GUIDE TO ASSEMBLY

31
32

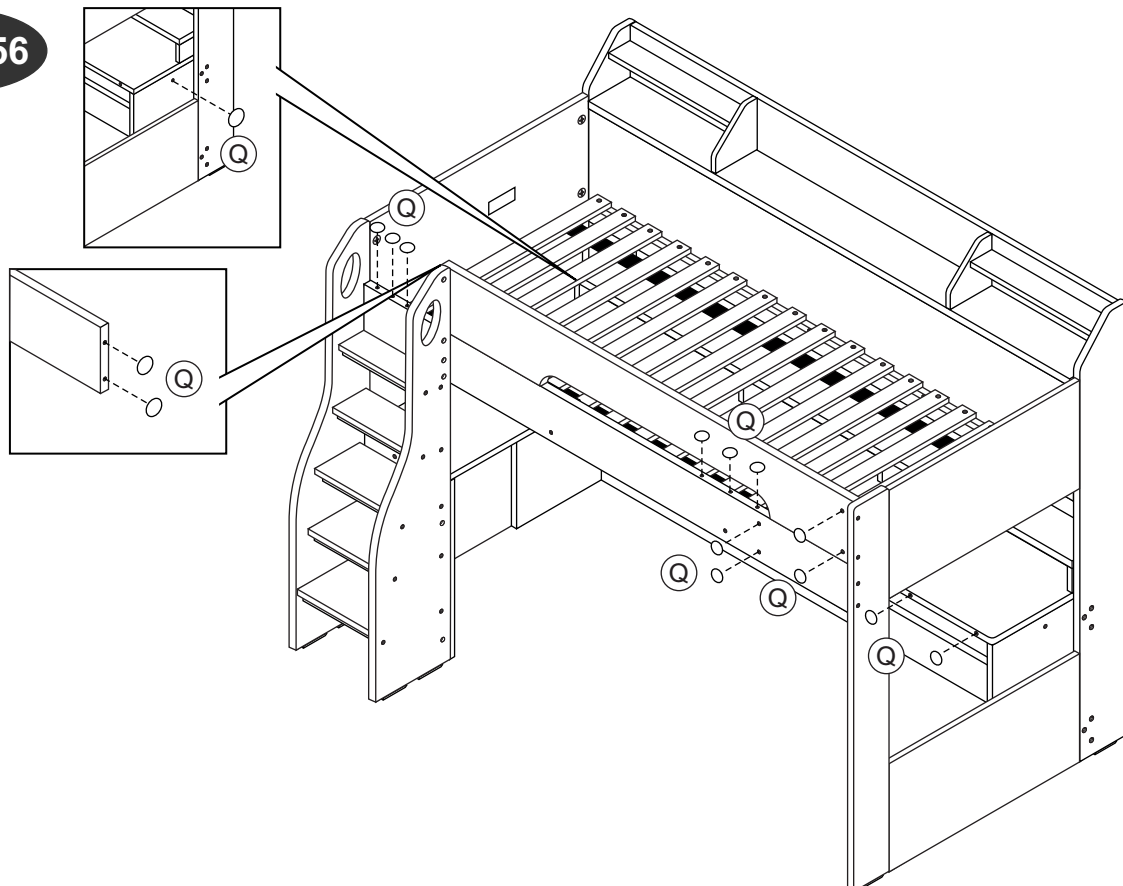
Model: CK 6310


STEP 55




K x 32

STEP 56




Q x 15

GUIDE TO ASSEMBLY

32 / 32

Model: CK 6310

STEP 57



S x 2



R x 8

