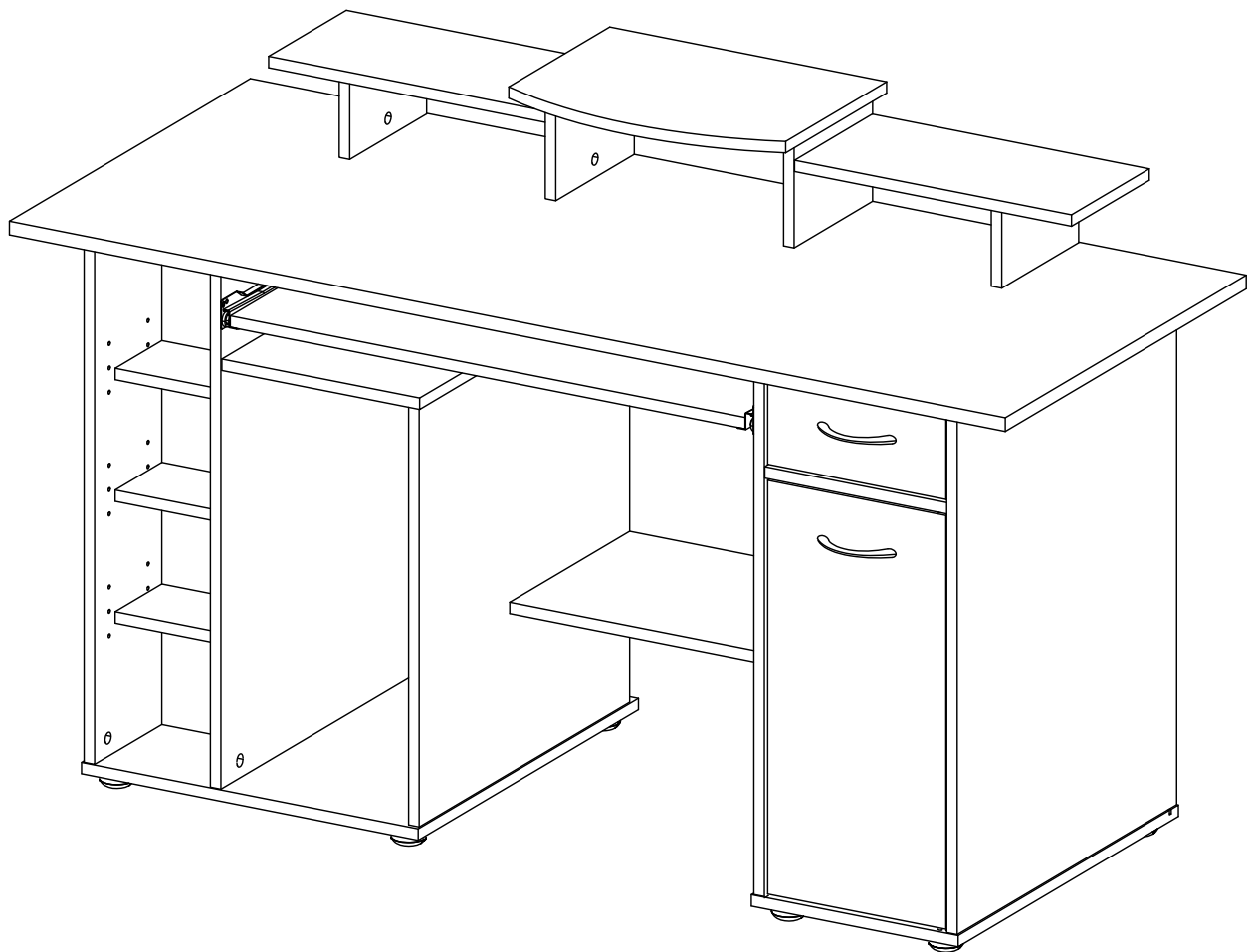


**alphason**

# AW12004



REFERENCE NO:

**POR000000**

Please retain this booklet as you will be asked to quote this number for any warranty or product related queries

Issue: 00/00/00

**PLEASE INSPECT ALL PARTS PRIOR TO ASSEMBLY AND CONTACT US IF ANY OF THE PARTS ARE DAMAGED OR MISSING. THIS MUST BE DONE BEFORE ATTEMPTING ASSEMBLY.**



Need help or advice? Missing/damaged parts?  
Contact us directly on:

**Helpline** ☎ **0845 130 6686**

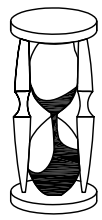
International Helpline (English Speaking): +44 1942 524 100



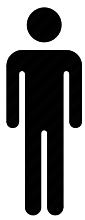
Interested in more Alphason products? Visit our website at:  
[www.alphasondesigns.com](http://www.alphasondesigns.com)



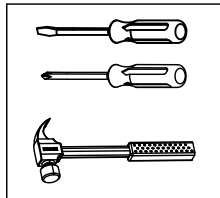
Have a question? Want more information? Email us on?  
[customer.services@armourhome.co.uk](mailto:customer.services@armourhome.co.uk)



60 MIN



x2



Self-Assemble  
tool request

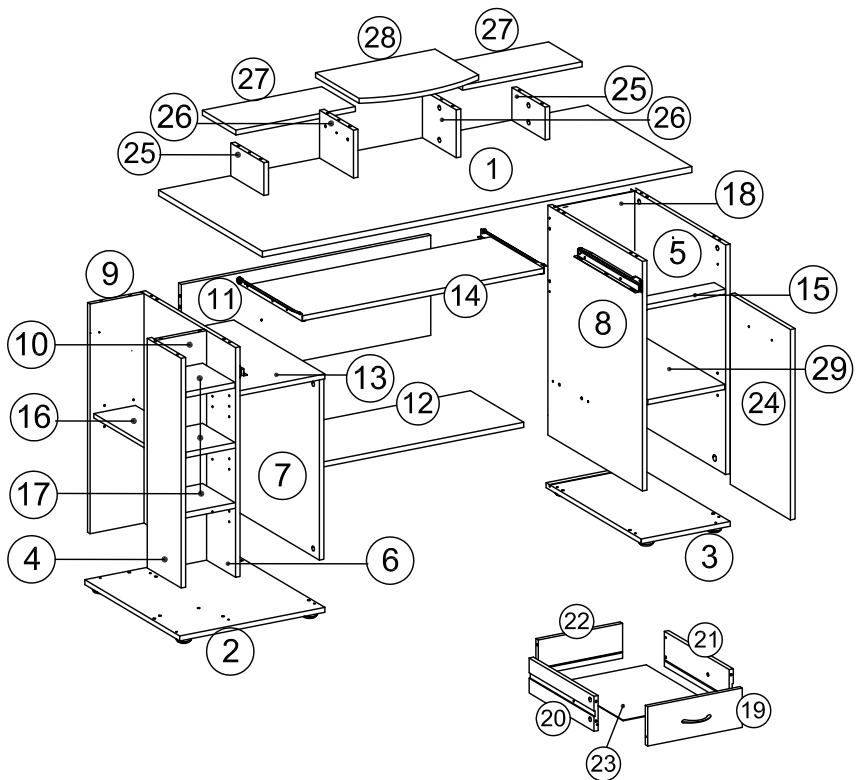
### Instructions/Instrucciones/Mode d'emloi







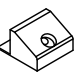

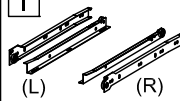







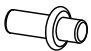




- Do not tighten bolts completely until desk is fully assembled
- Por favor no apretar los tornillos hasta que haya ensamblado
- el escritorio completamente

## PARTS LIST

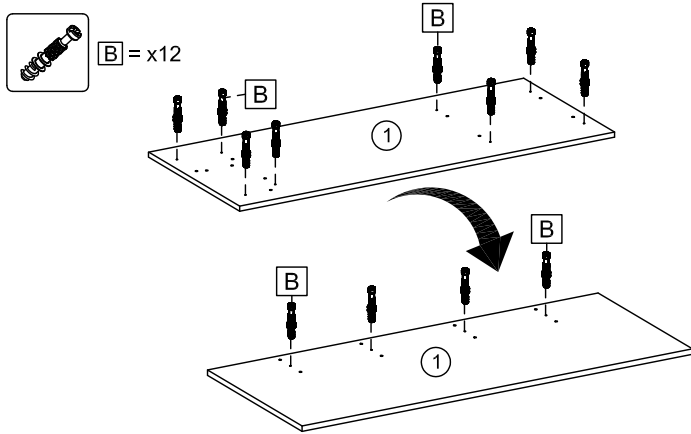
1	x1
2	x1
3	x1
4	x1
5	x1
6	x1
7	x1
8	x1
9	x1
10	x1
11	x1
12	x1
13	x1
14	x1
15	x1

16	x1
17	x3
18	x1
19	x1
20	x1
21	x1
22	x1
23	x1
24	x1
25	x2
26	x2
27	x2
28	x1
29	x1

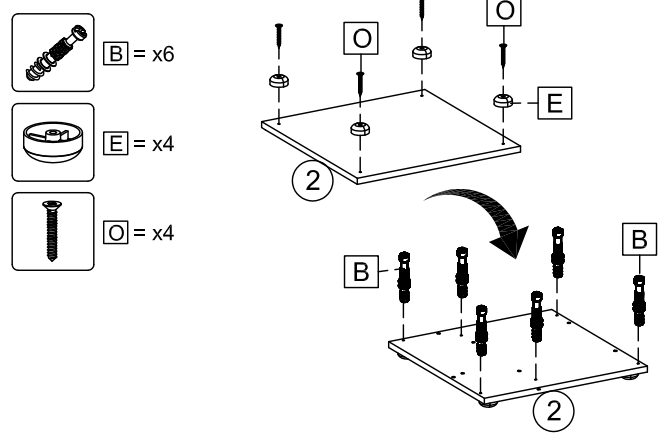


<b>A</b>  x44	<b>B</b>  x44	<b>C</b>  x44	<b>D</b>  x58	<b>E</b>  x8	<b>F</b>  6 X 15 mm x20	<b>G</b>  8 x 50 mm x5
<b>H</b>  1 set	<b>I</b>  (L) (R) 1 set	<b>J</b>  x2	<b>K</b>  M4 x 22 mm x4	<b>L</b>  M4 x 12 mm x2	<b>M</b>  4 X 15 mm x5	<b>N</b>  x4
<b>O</b>  6 X 25 mm x8	<b>P</b>  6 X 13 mm x8	<b>Q</b>  x2	<b>R</b>  8 X 50 mm x1	<b>S</b>  4 X 13 mm x4	<b>T</b>  1 set	<b>U</b>  x2

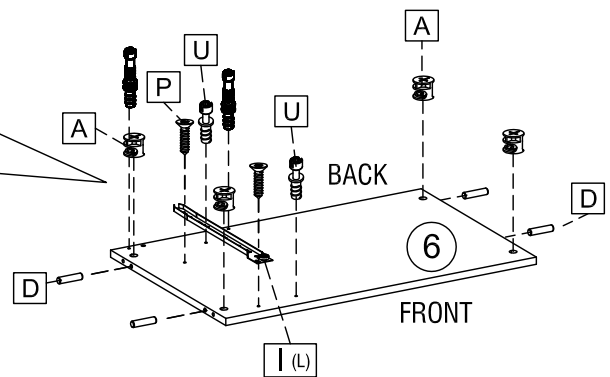
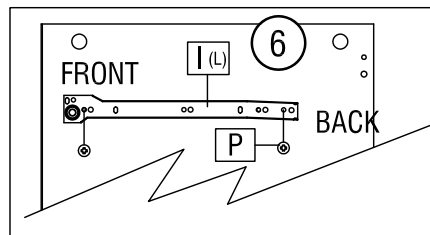
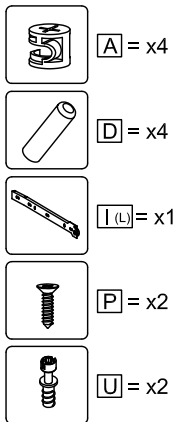
## Step 1



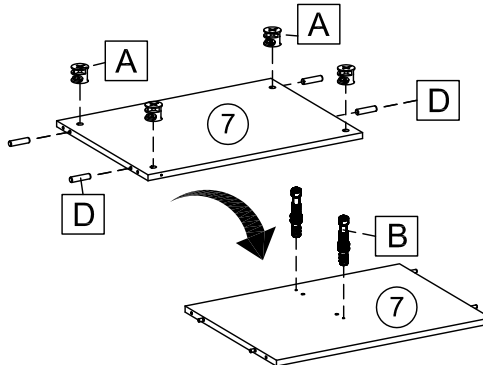
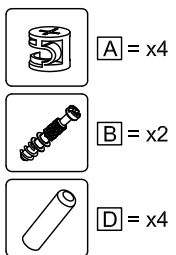
## Step 2



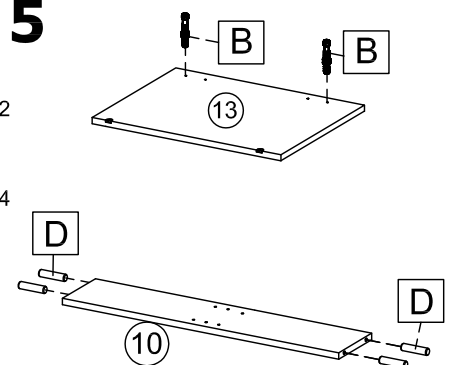
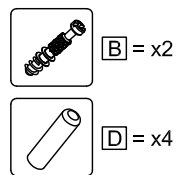
## Step 3



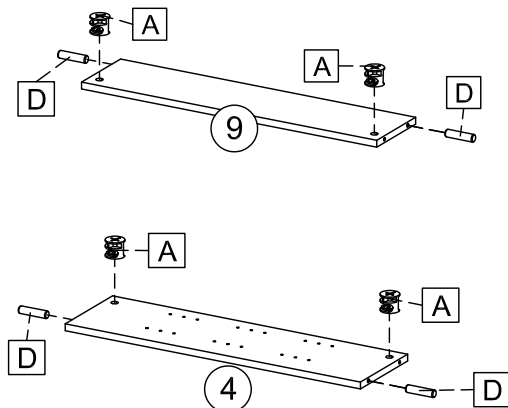
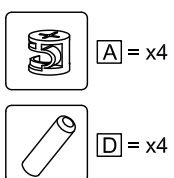
## Step 4



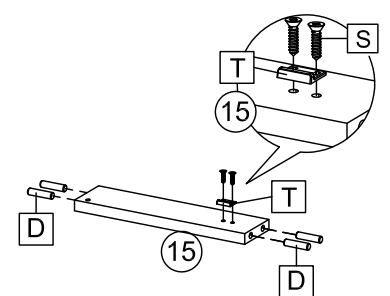
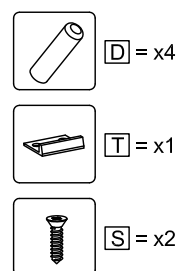
## Step 5






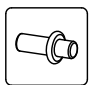

## Step 6

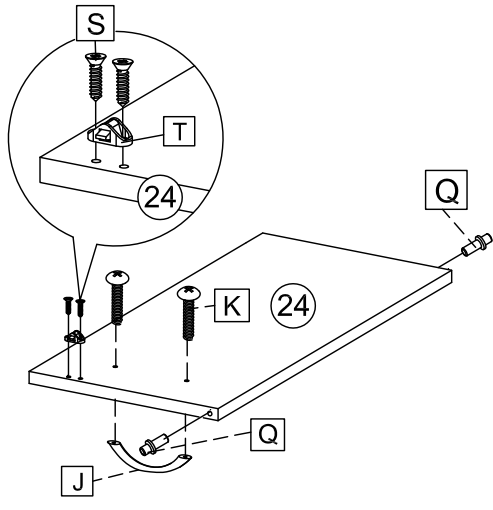


## Step 7

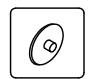


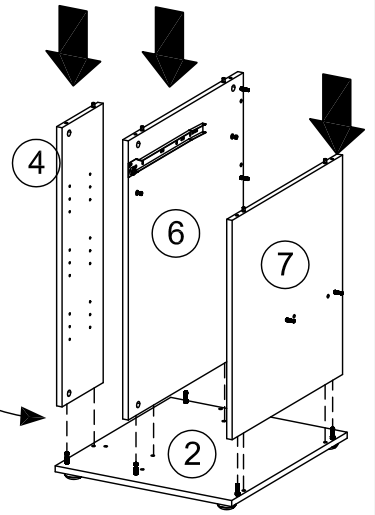
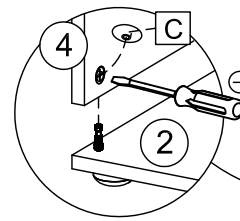
## Step 8

-  J = x1
-  K = x2
-  T = x1
-  Q = x2
-  S = x2

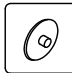


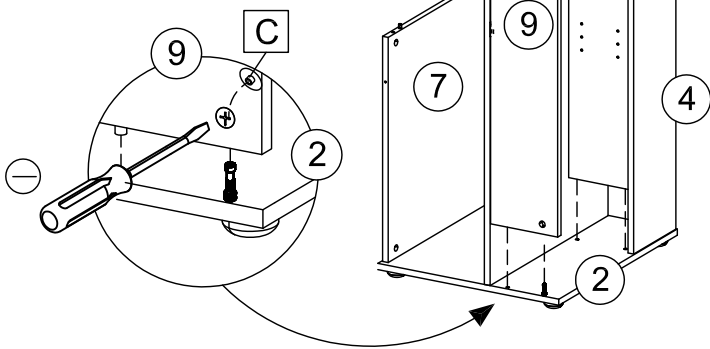
## Step 9

-  C = x5

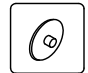


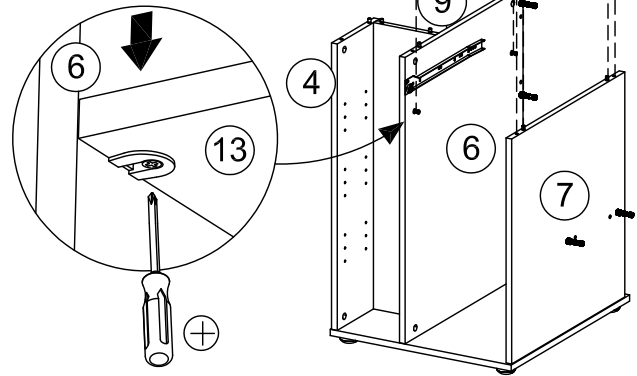
## Step 10

-  C = x1


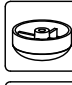



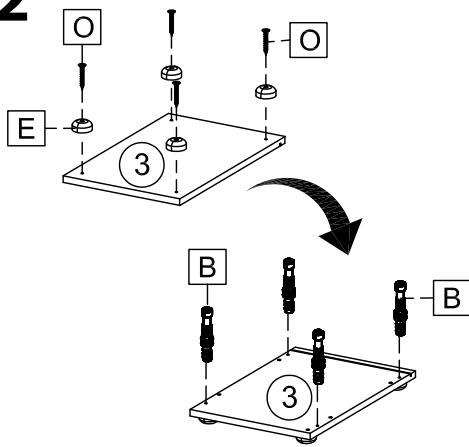
## Step 11

-  C = x2



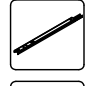



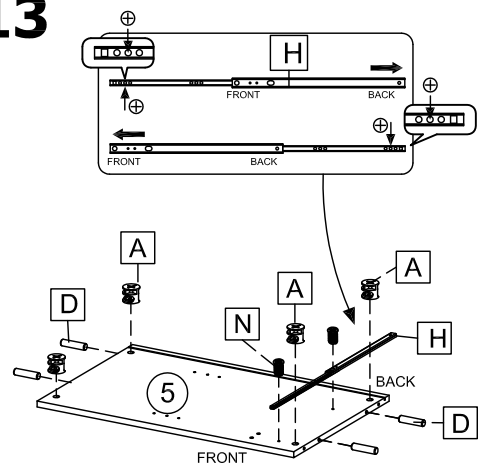
## Step 12

-  B = x4
-  E = x4
-  O = x4



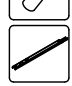
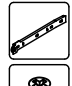
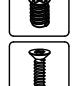
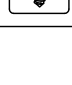



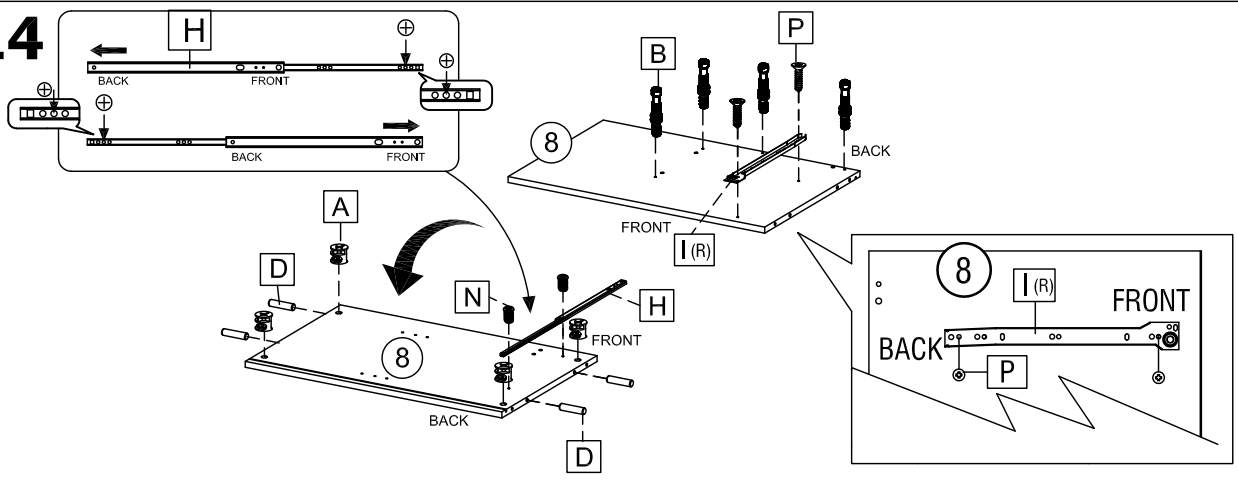
## Step 13

-  A = x4
-  D = x4
-  H = x1
-  N = x2

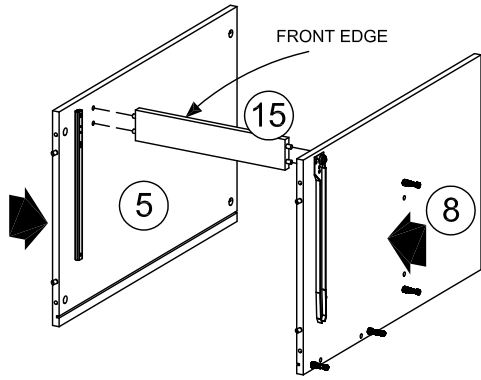


## Step 14

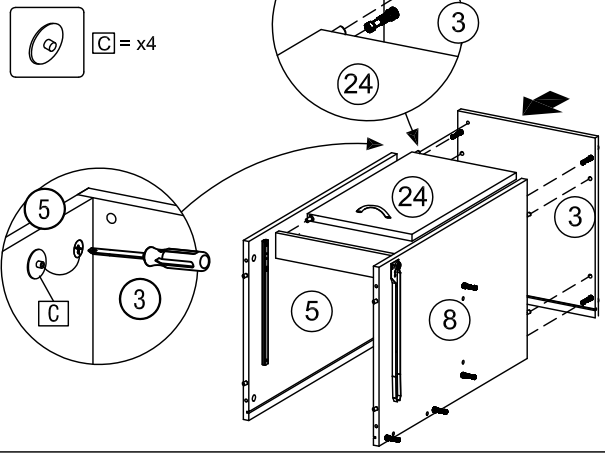
-  A = x4
-  B = x4
-  D = x4
-  H = x1
-  I(R) = x1
-  N = x2
-  P = x2



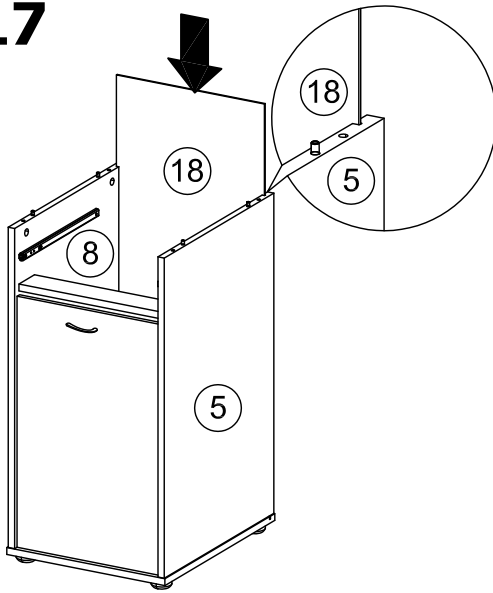
## Step 15



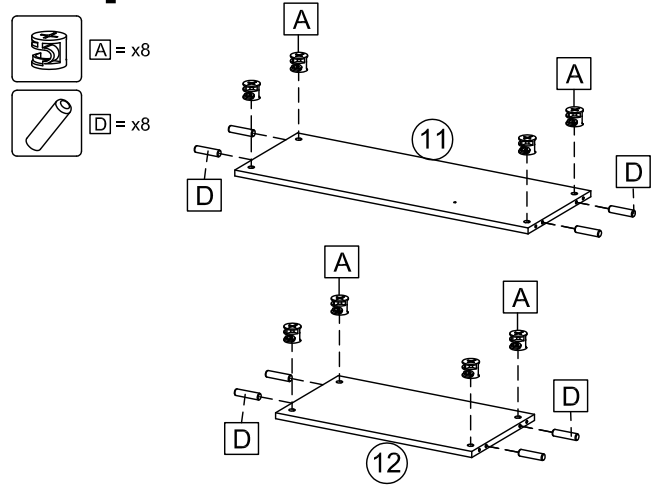
## Step 16



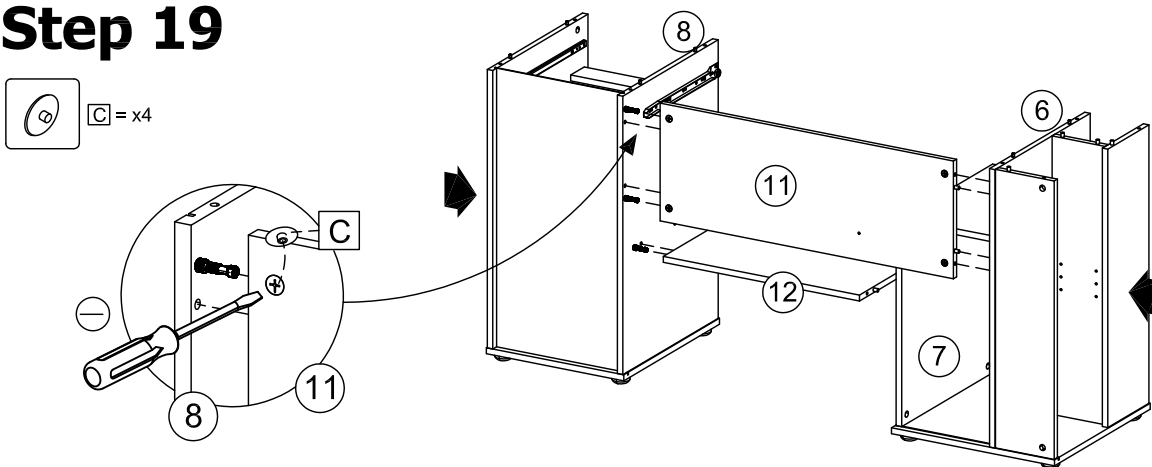
## Step 17



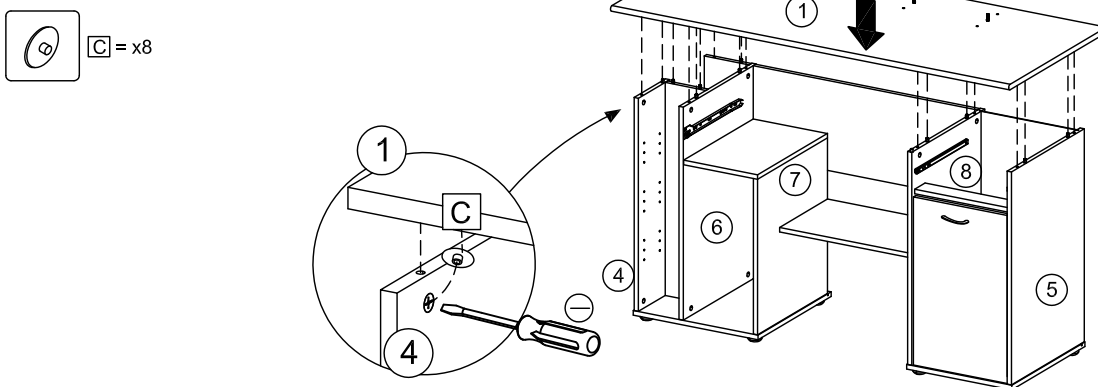
## Step 18



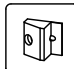


## Step 19

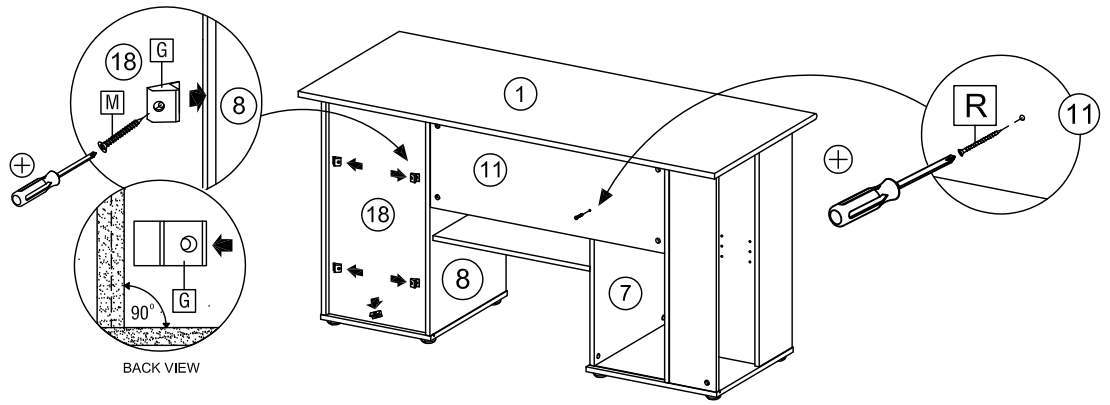


## Step 20






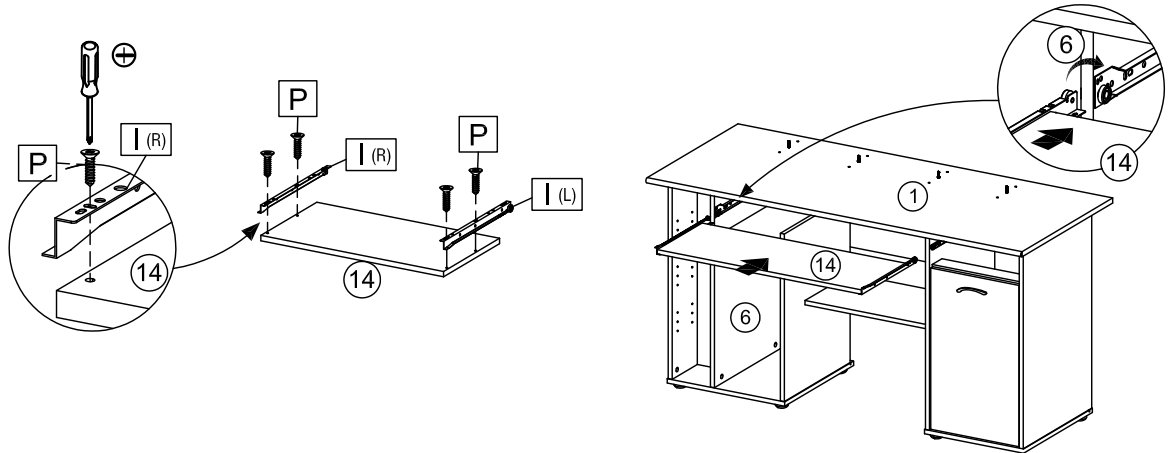
# Step 21

-  G = x5
-  M = x5
-  R = x1









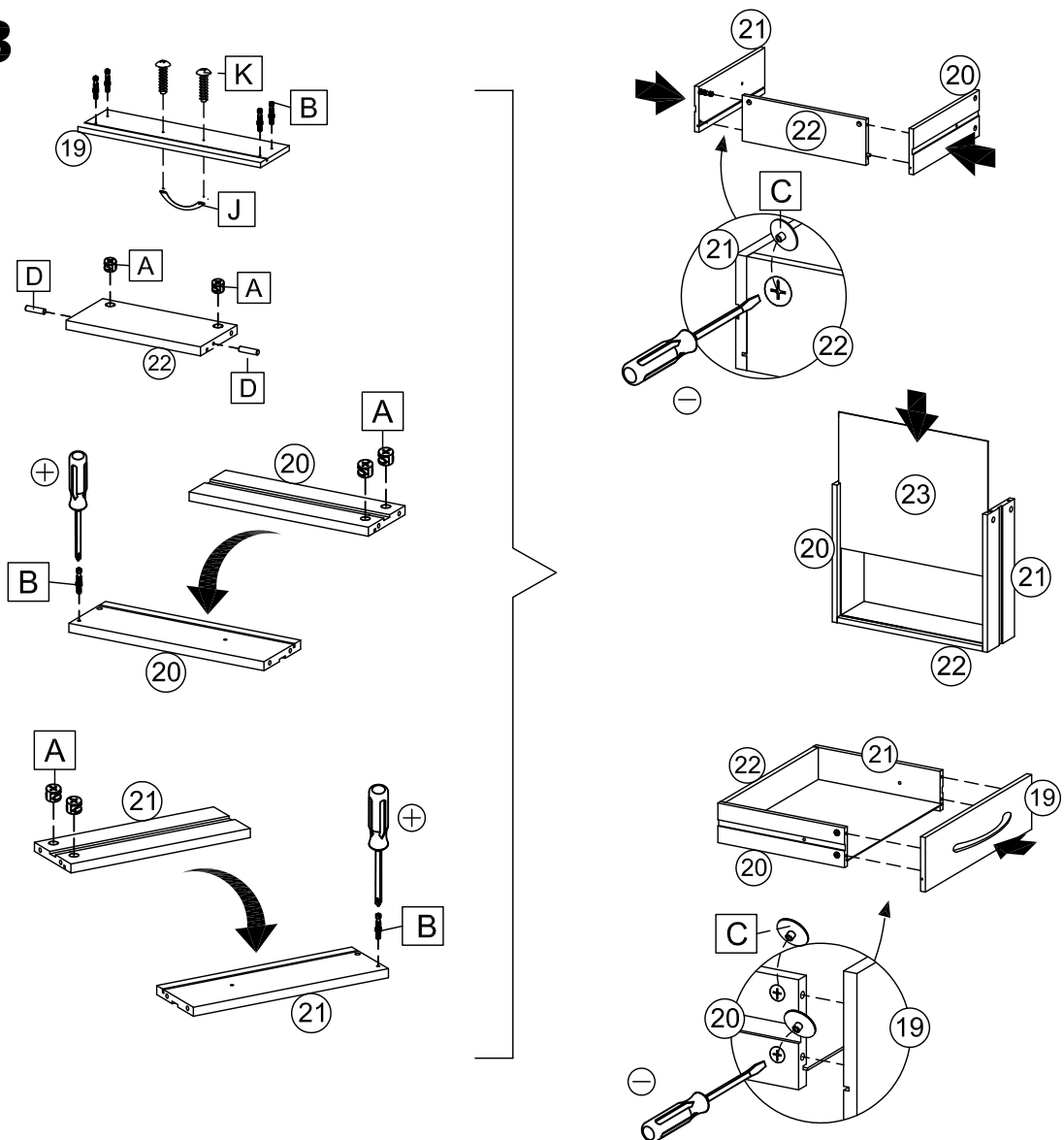
# Step 22

-  I(L) = x1
-  I(R) = x1
-  P = x4

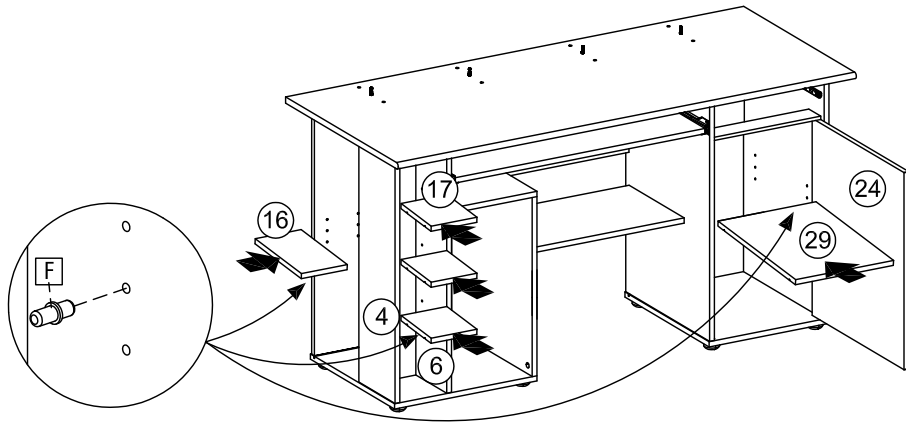
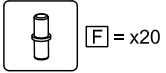


# Step 23

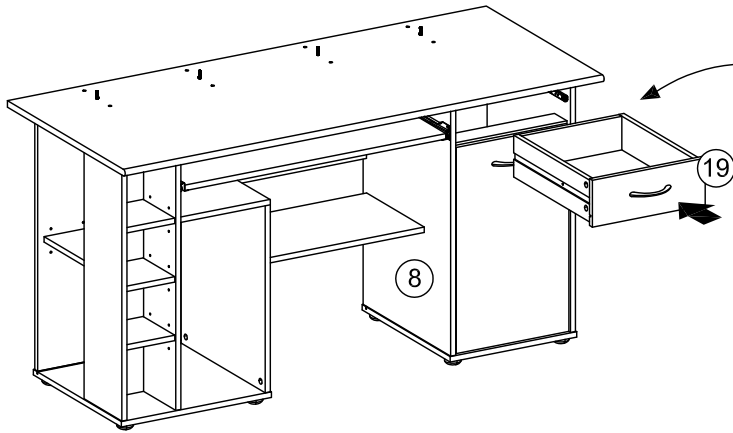
-  A = x6
-  B = x6
-  C = x6
-  D = x2
-  J = x1
-  K = x2



# Step 24

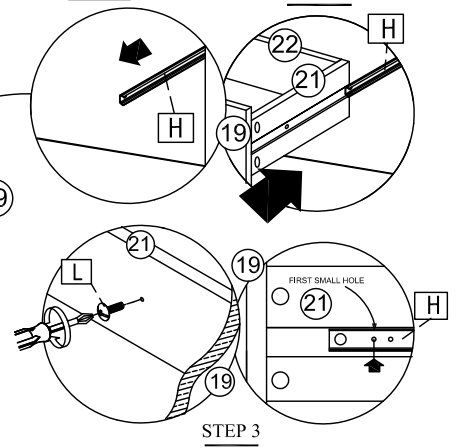


# Step 25

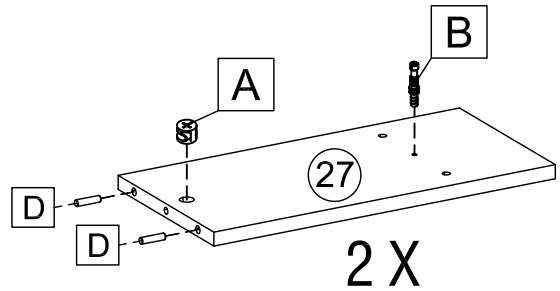
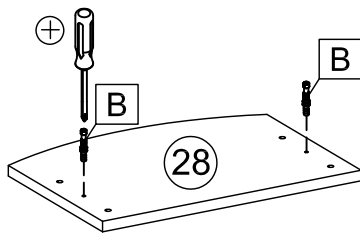
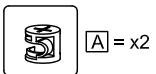


STEP 1

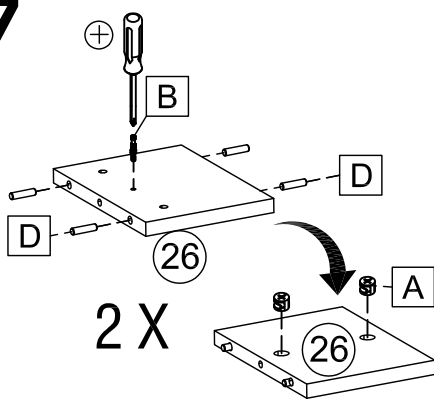
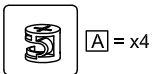
STEP 2



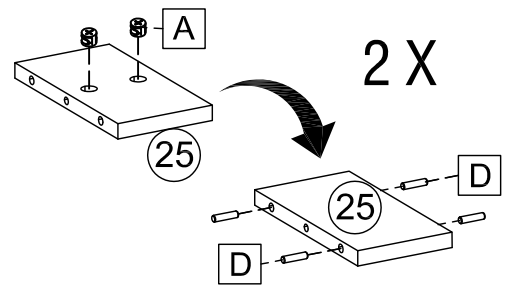
# Step 26



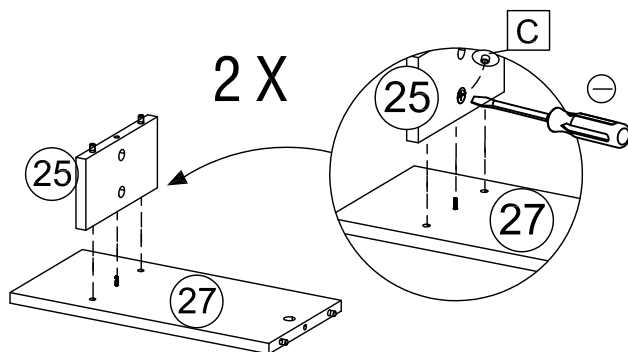
# Step 27



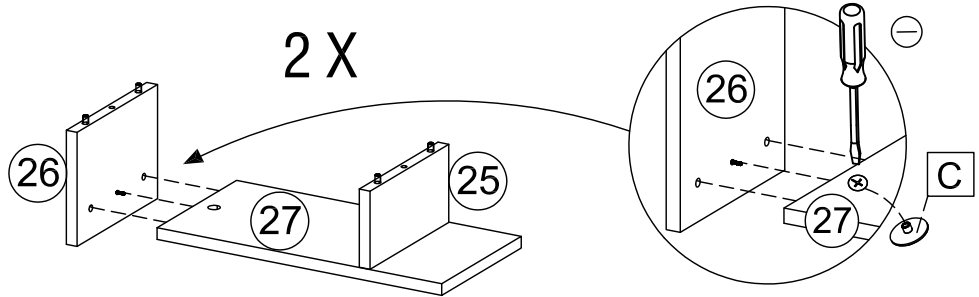
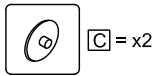
# Step 28



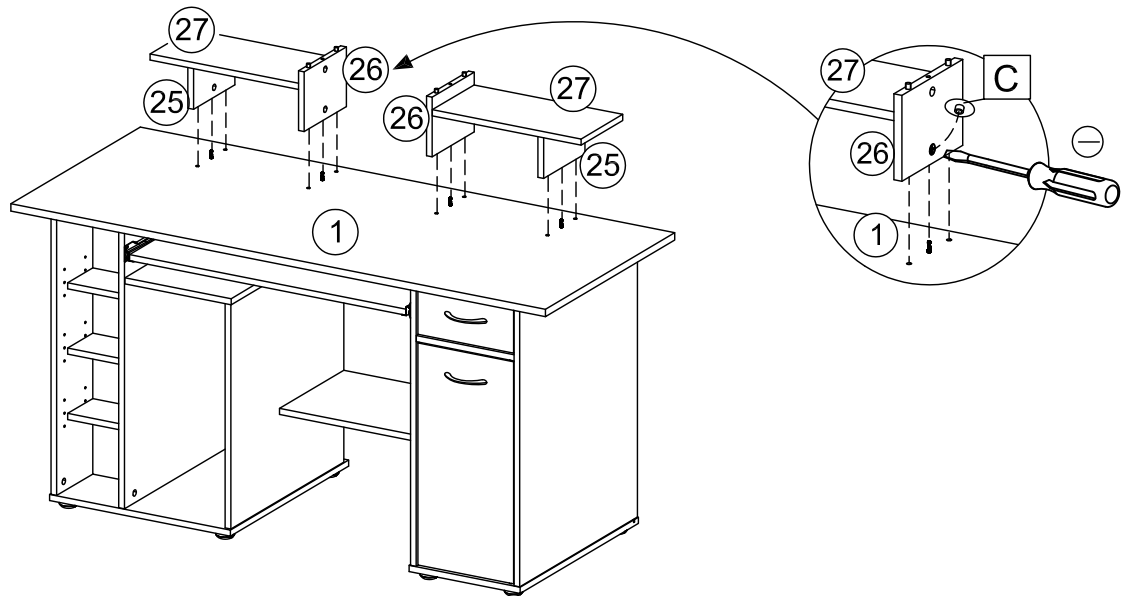
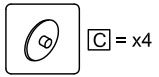
# Step 29



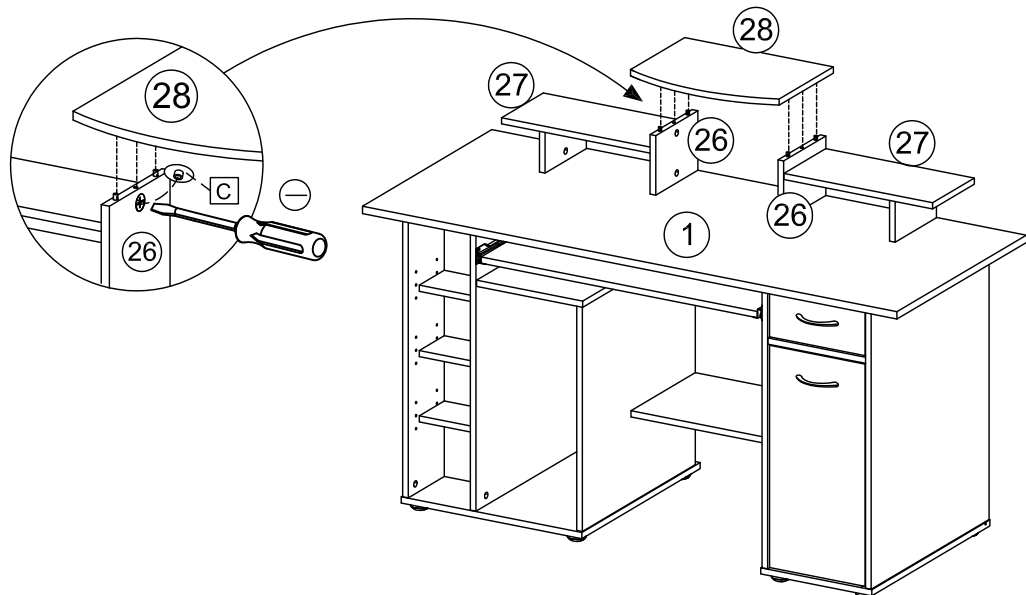
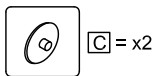
## Step 30



## Step 31



## Step 32



## Step 33

