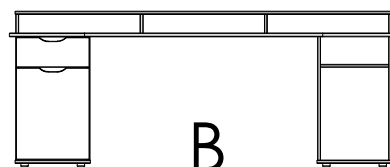


A

Drawer can be fitted right or left side.

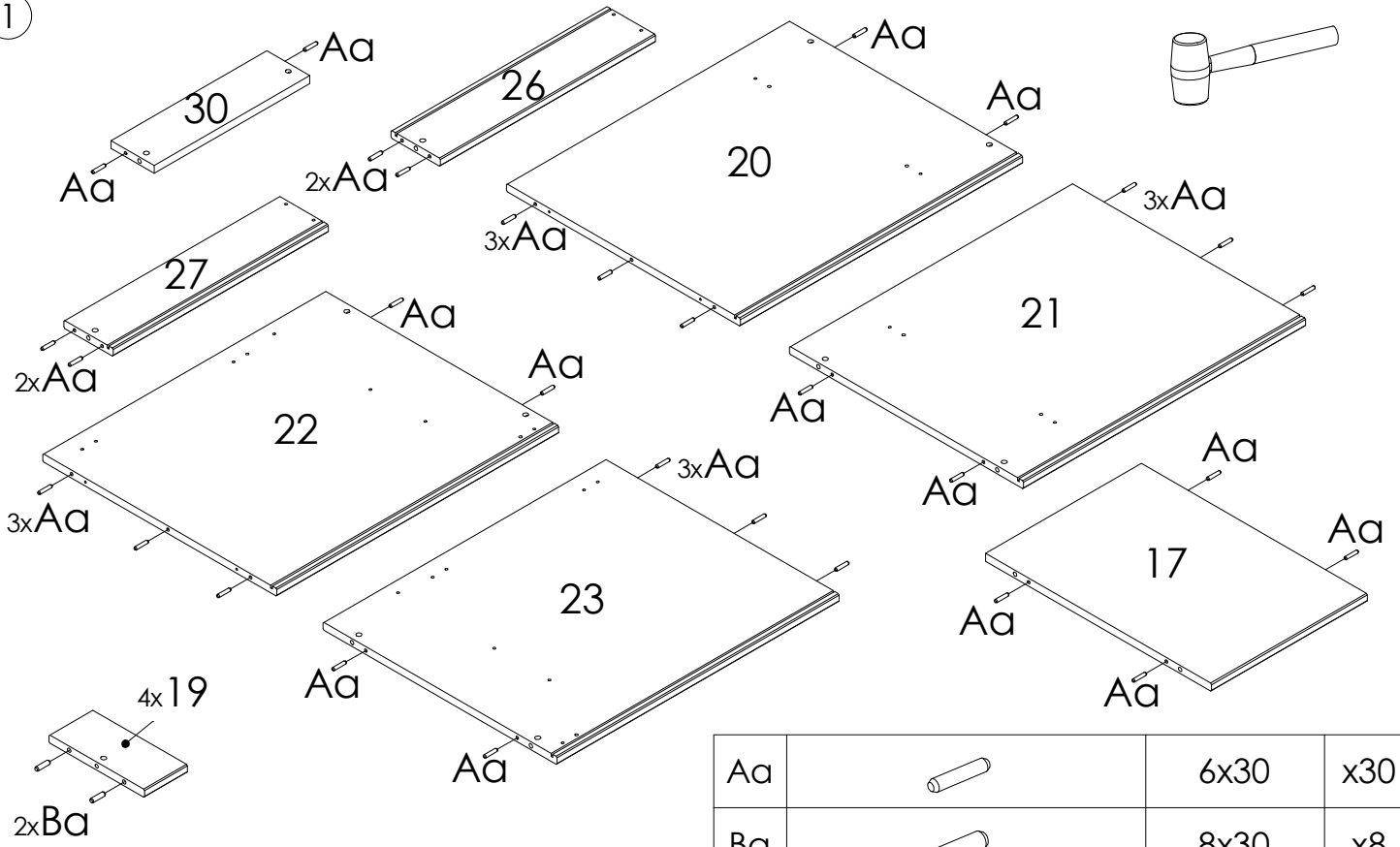


B

Aa		6x30	x30
Ba		8x30	x8
Ca		6,5x27	x20
Da		10x11	x20
Ea		D5x16	x2
Fa		D26	x2
Ga		D26H0	x2
Ha		D26	x2
Ja		500mmCL	x1
Ka		500mmCR	x1
La		500mmDL	x1
Ma		500mmDR	x1

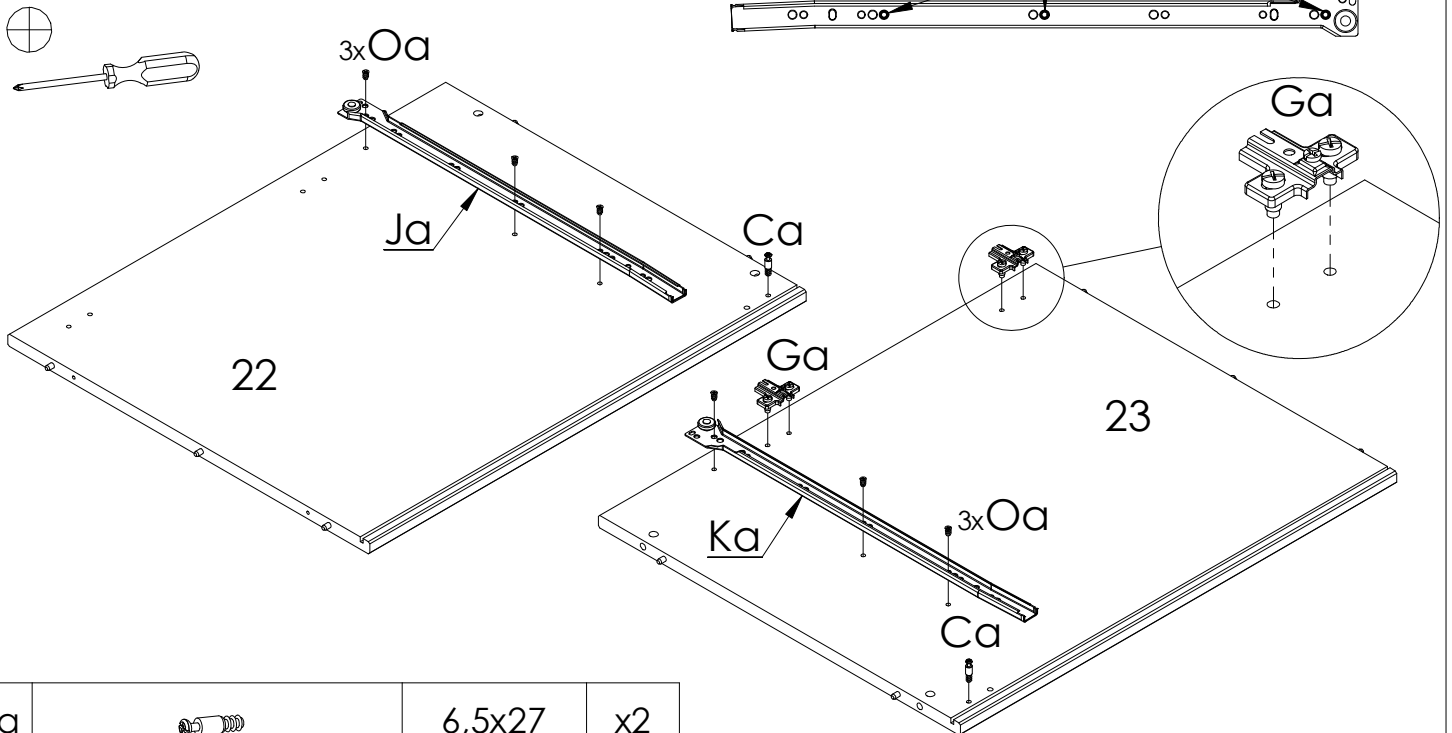
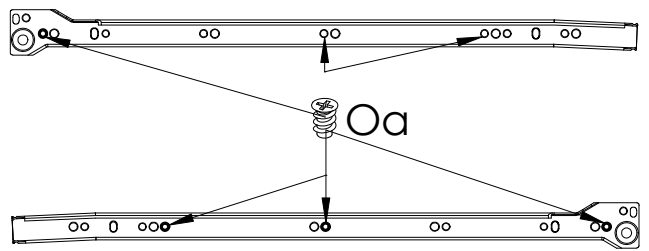
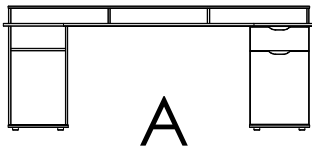
Na		7x1,5	x2
Oa		9x5,8x6,5	x6
Pa		3x15	x4
Ra		3,5x15	x4
Sa		4x30	x8
Ta		5x38	x20
Ua		3,5x20	x6
Va		3x16	x2
Wa		D39x20	x8
Y		D25x3	x8

1



Aa		6x30	x30
Ba		8x30	x8

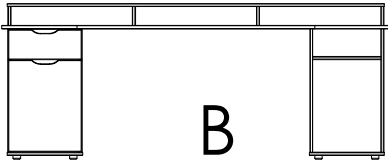
2a



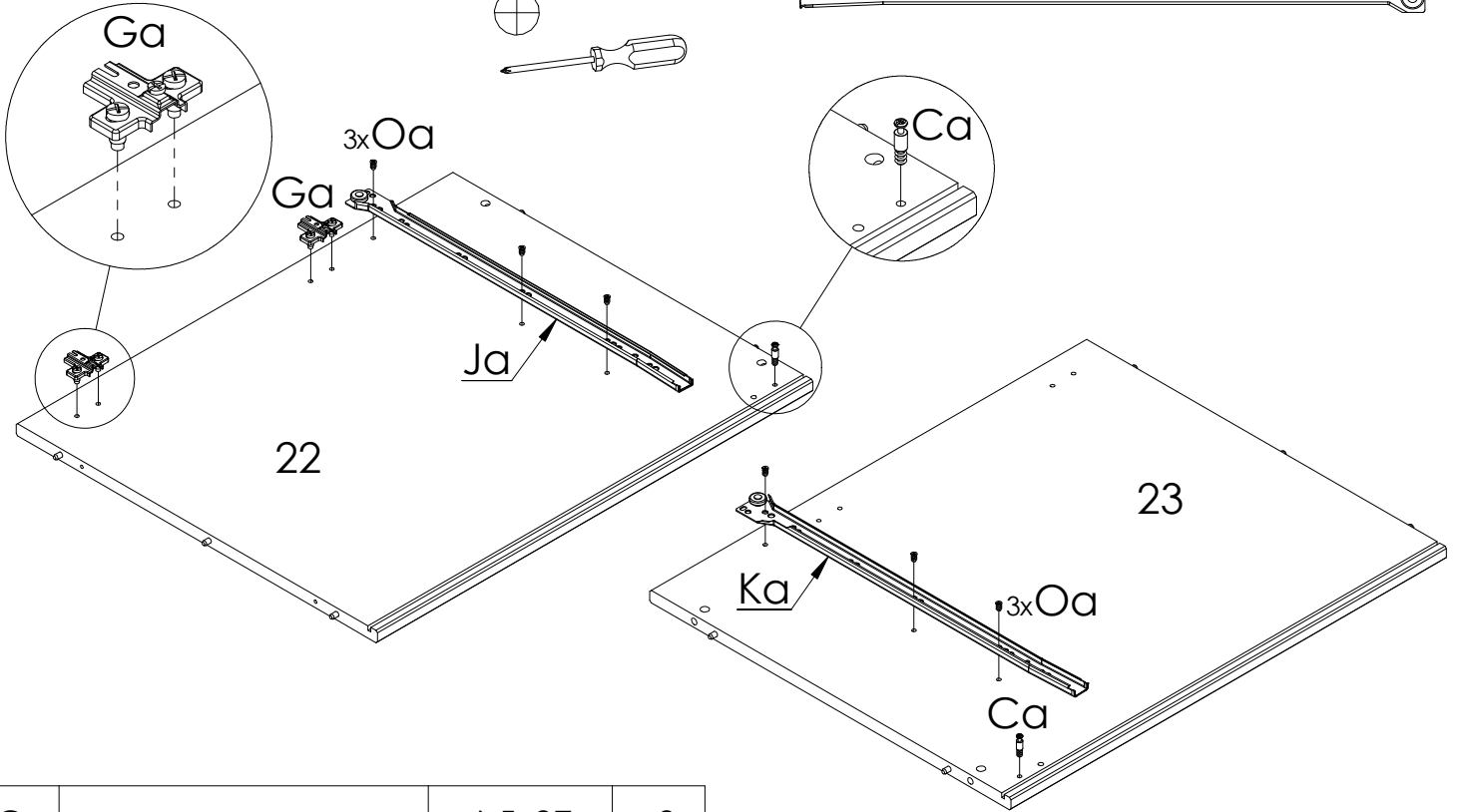
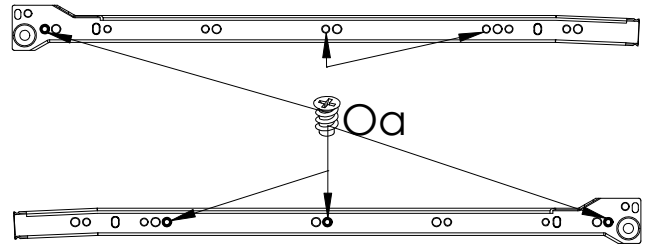
Ca		6,5x27	x2
Ga		D26H0	x2
Oa		9x5,8x6,5	x6


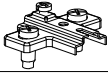

Ja		500mmCL	x1
Ka		500mmCR	x1

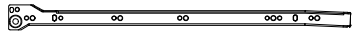
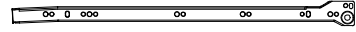
2b



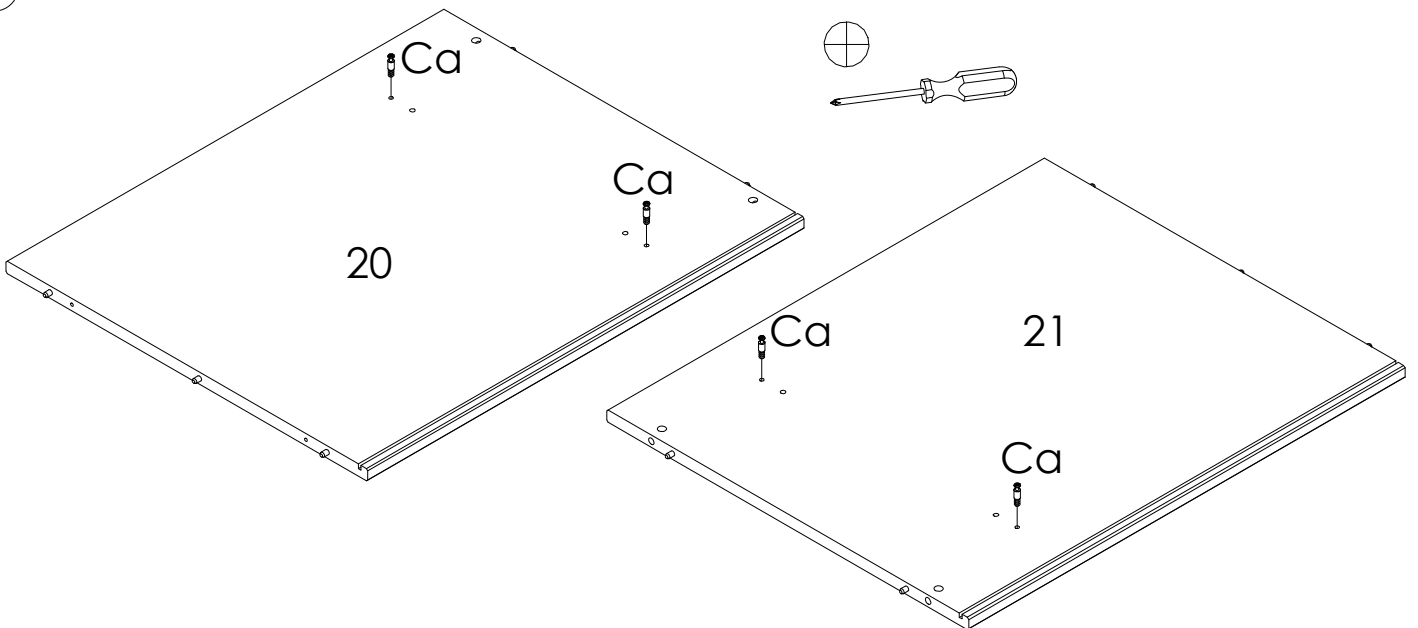
B



Ca		6,5x27	x2
Ga		D26H0	x2
Oa		9x5,8x6,5	x6

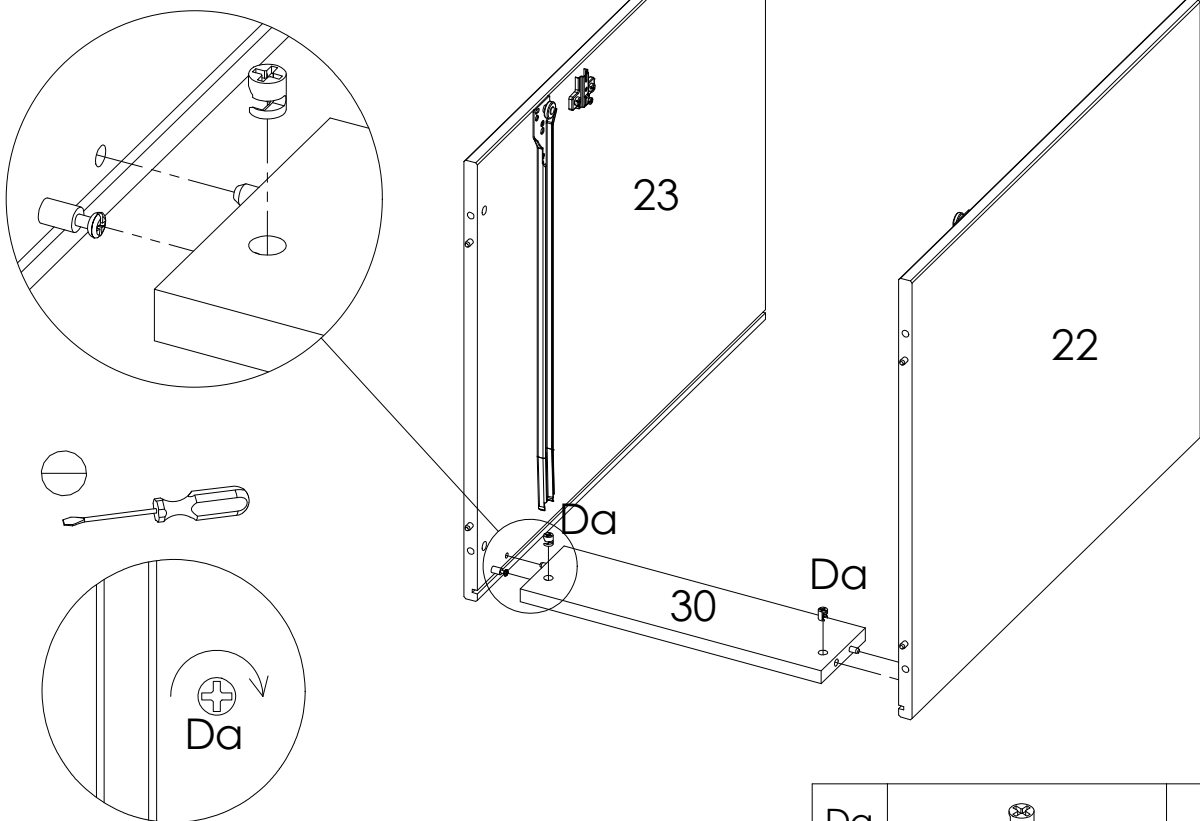
Ja		500mmCL	x1
Ka		500mmCR	x1


3



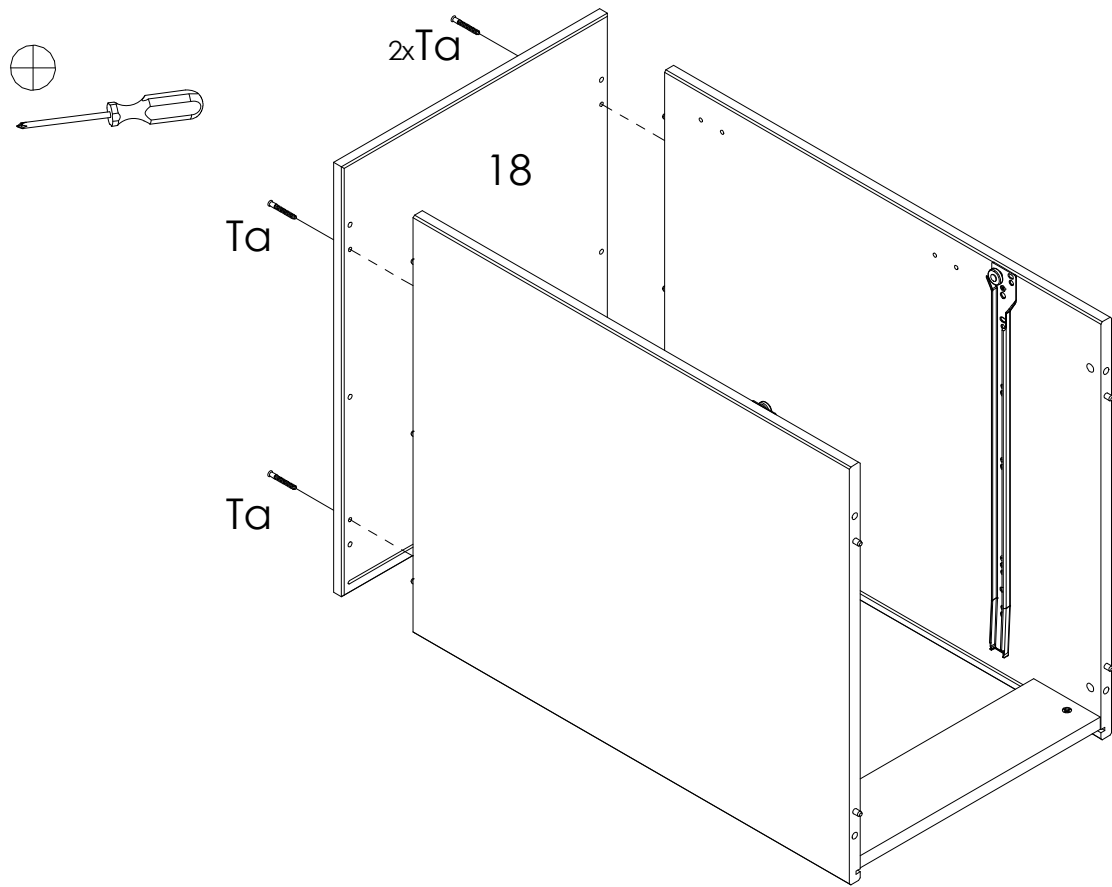
Ca		6,5x27	x4
----	---	--------	----


4



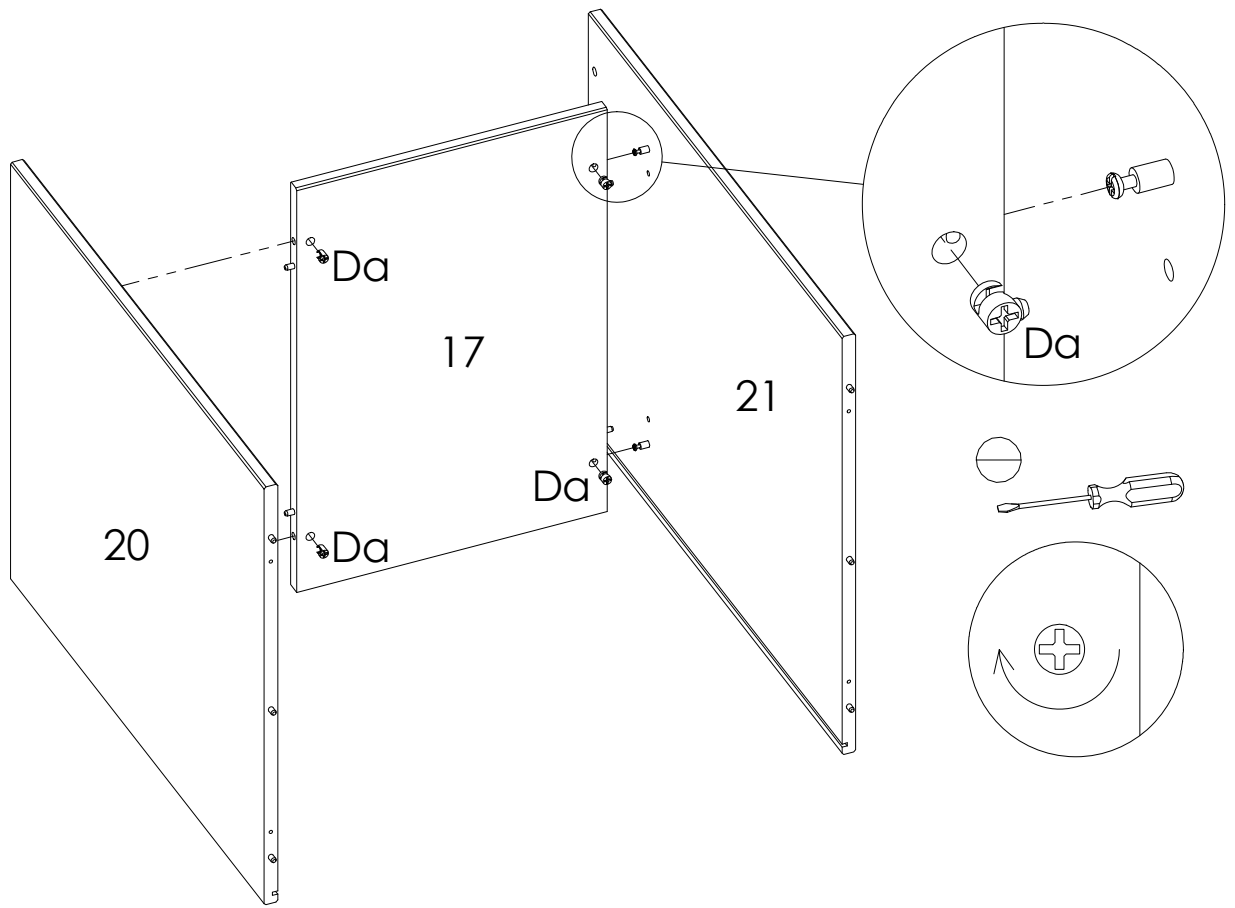
Da		10x11	x2
----	---	-------	----


5



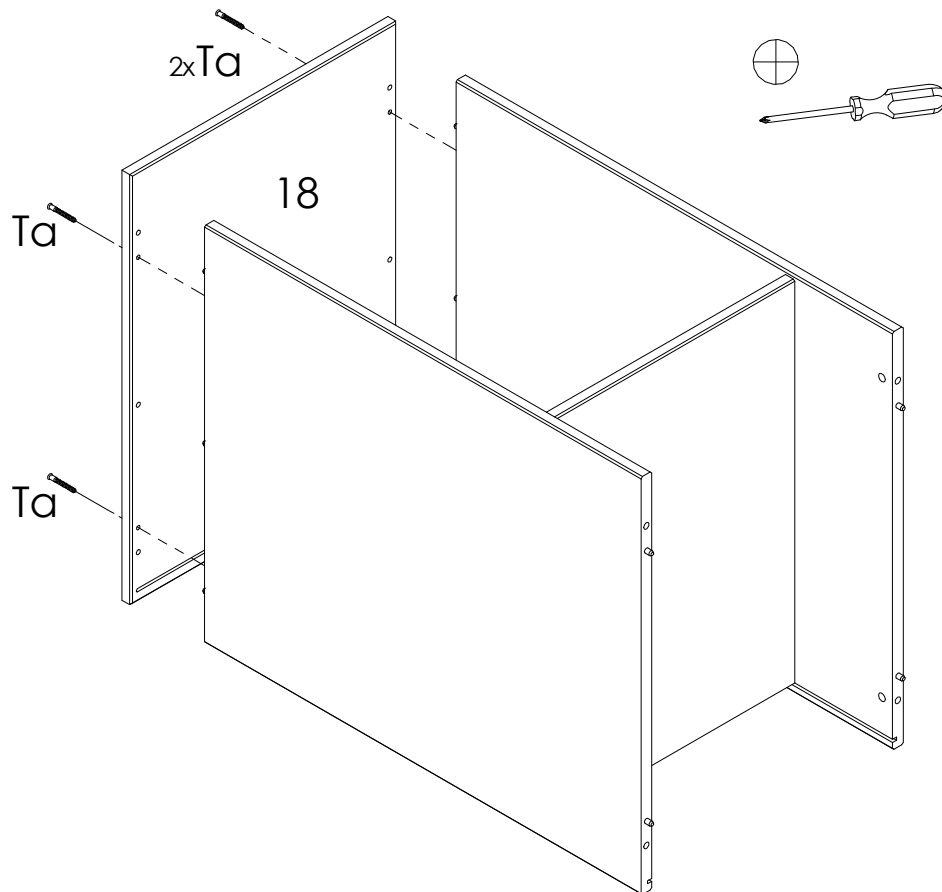
Ta		5x38	x4
----	---	------	----

6



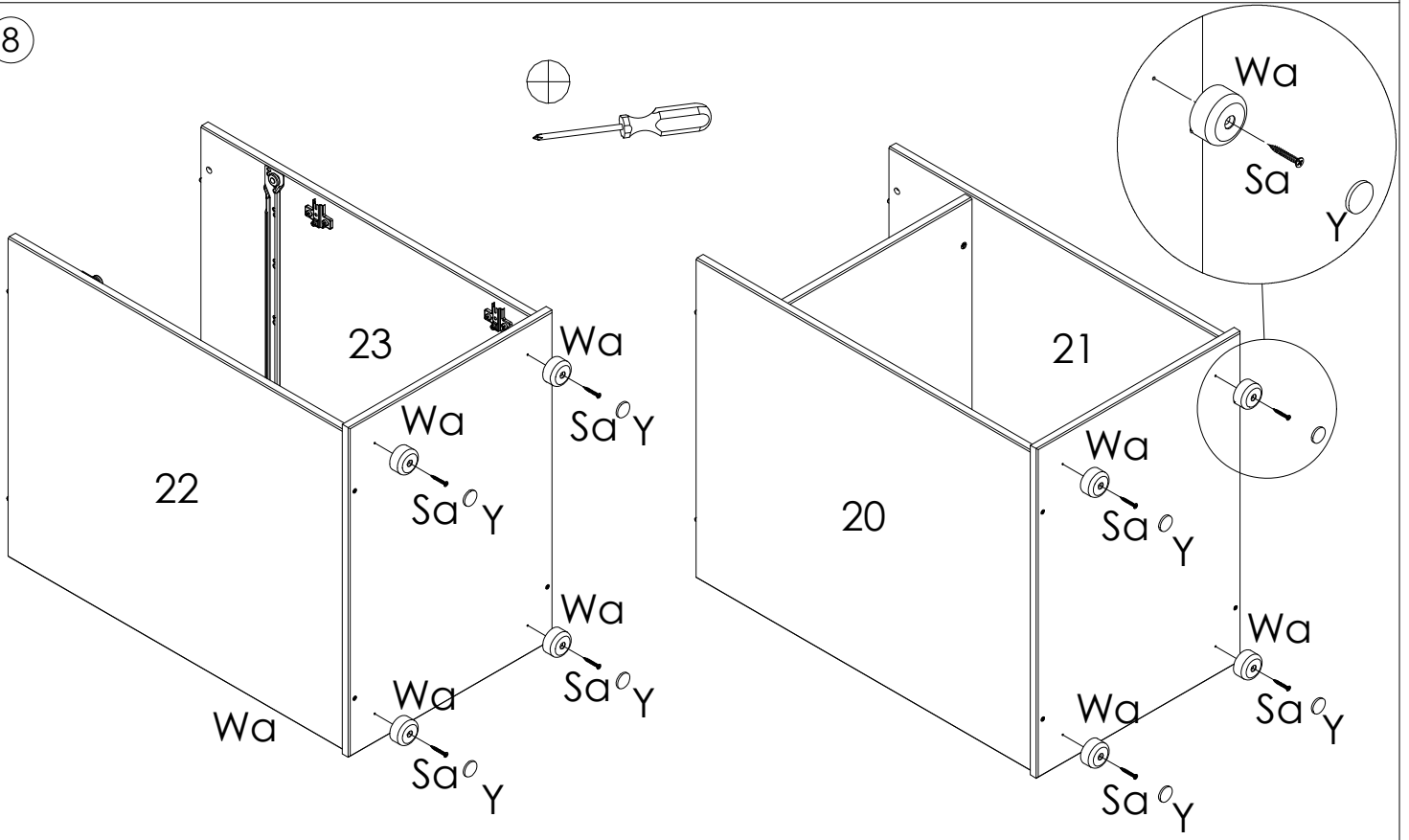
Da		10x11	x4
----	---	-------	----


7





Ta		5x38	x4
----	---	------	----

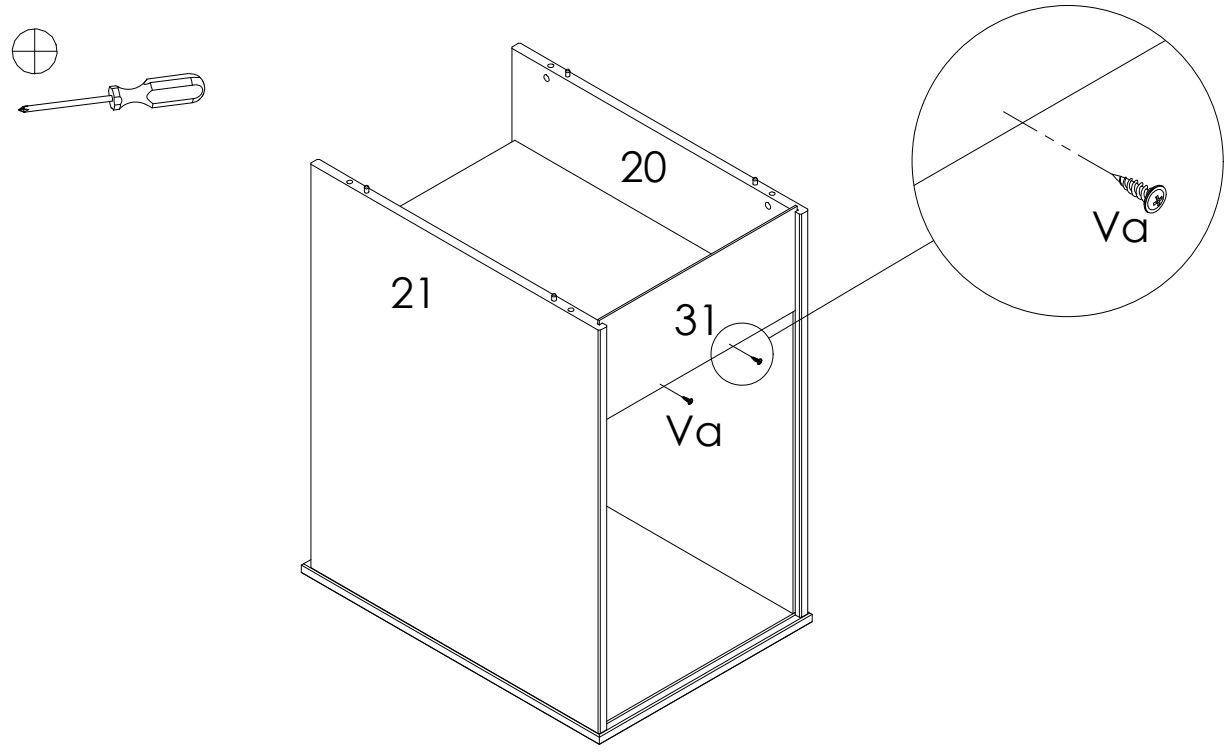
8



Sa		4x30	x8
----	---	------	----

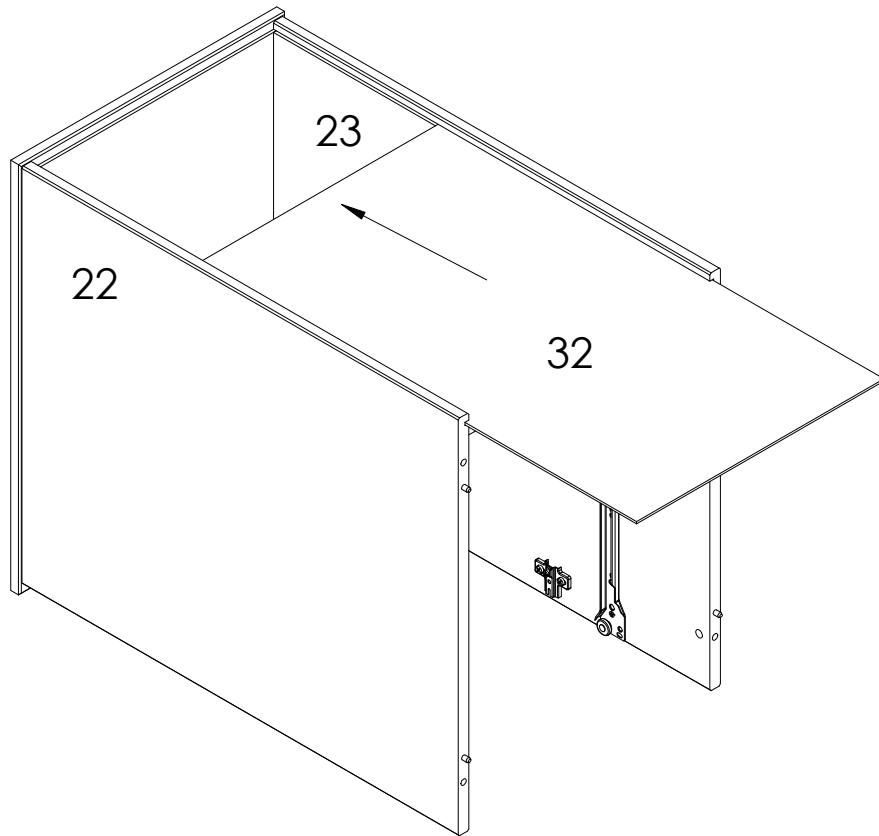
Wa		D39x20	x8
Y		D25x3	x8

9

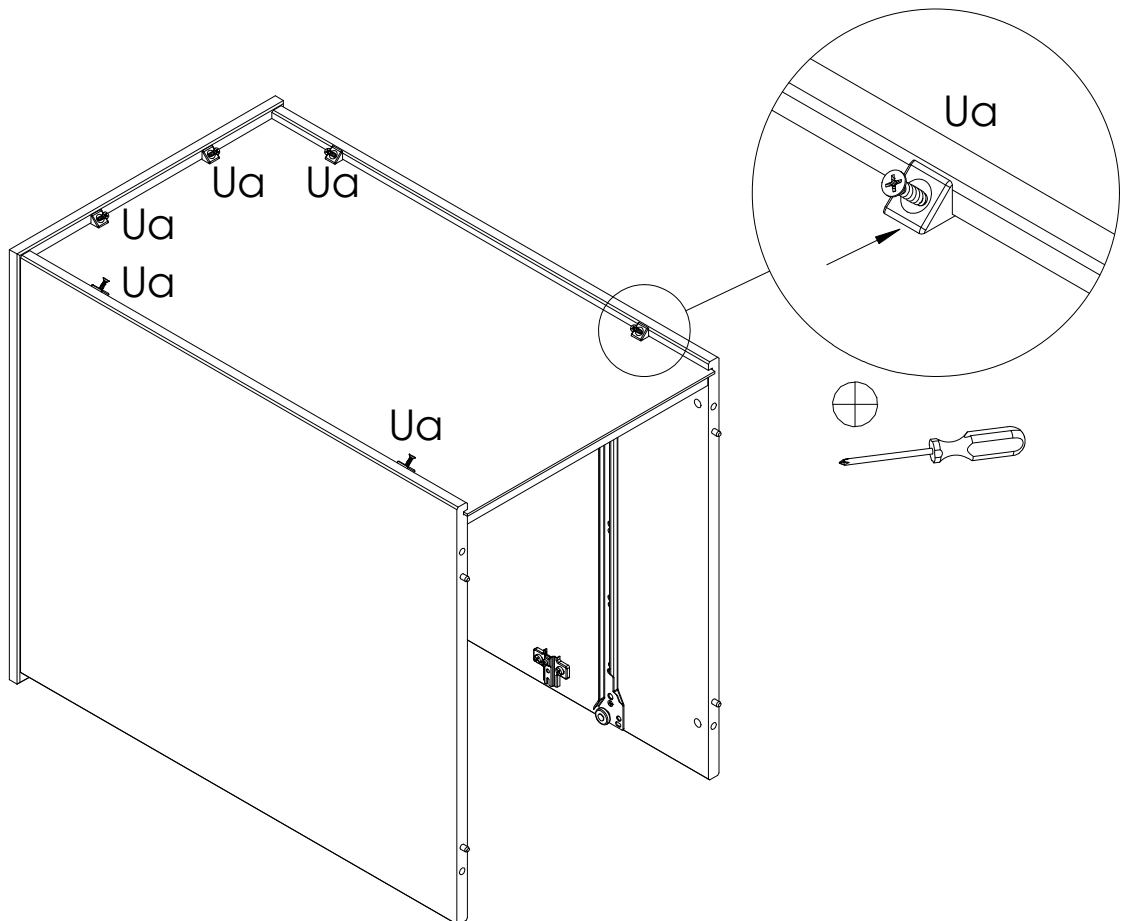


Va		3x16	x2
----	---	------	----

⑩



⑪



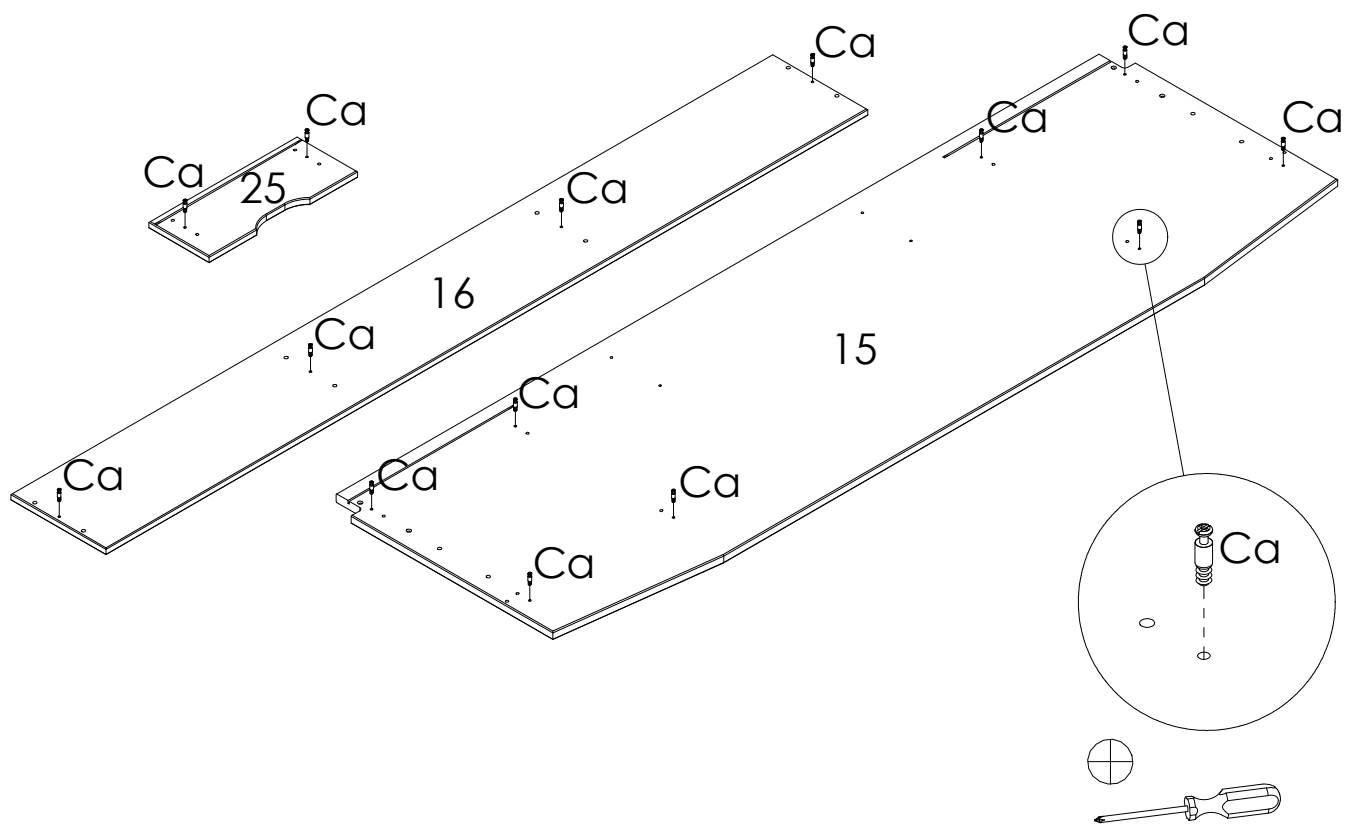
Ua

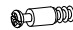


3,5x20

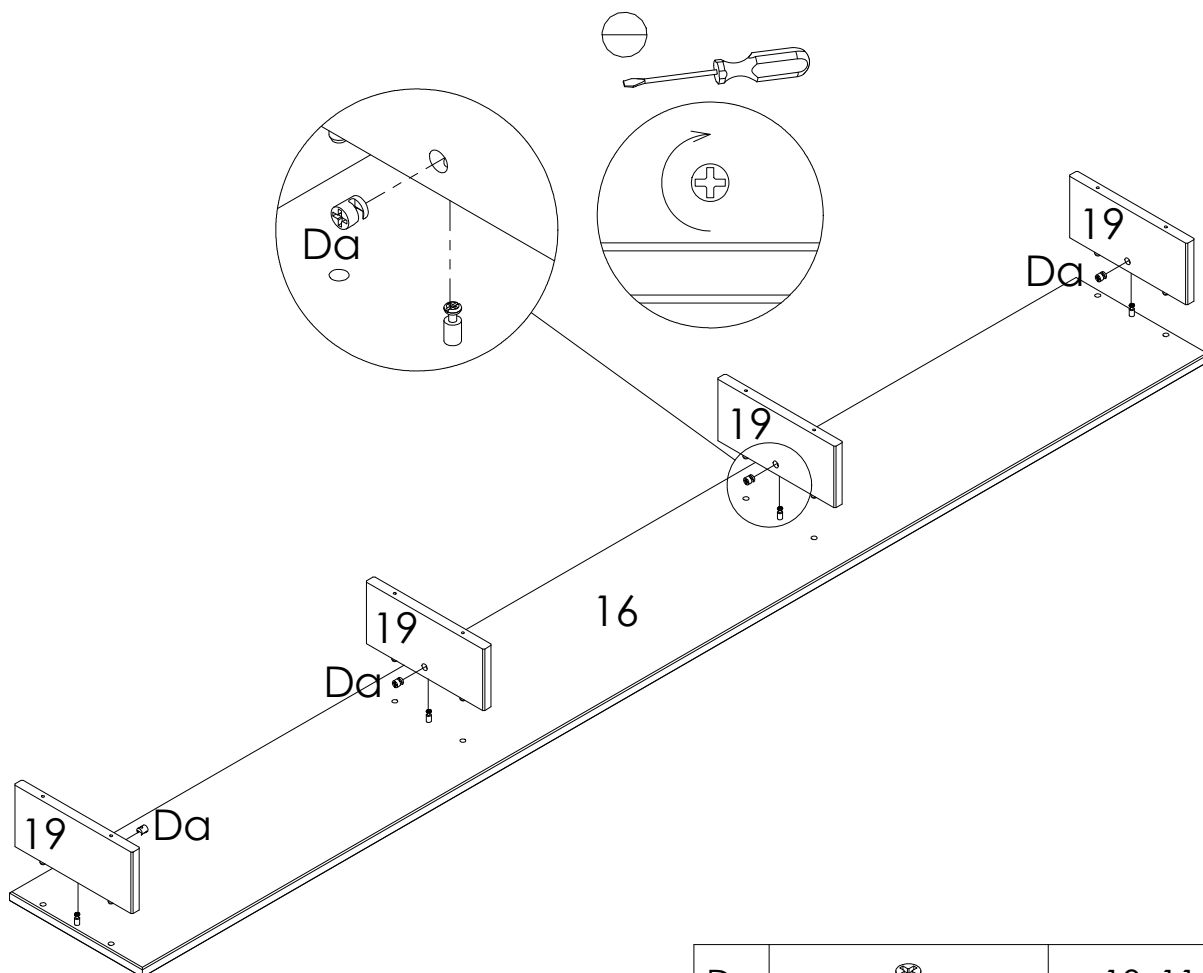
x6


12



Ca		6,5x27	x14
----	---	--------	-----

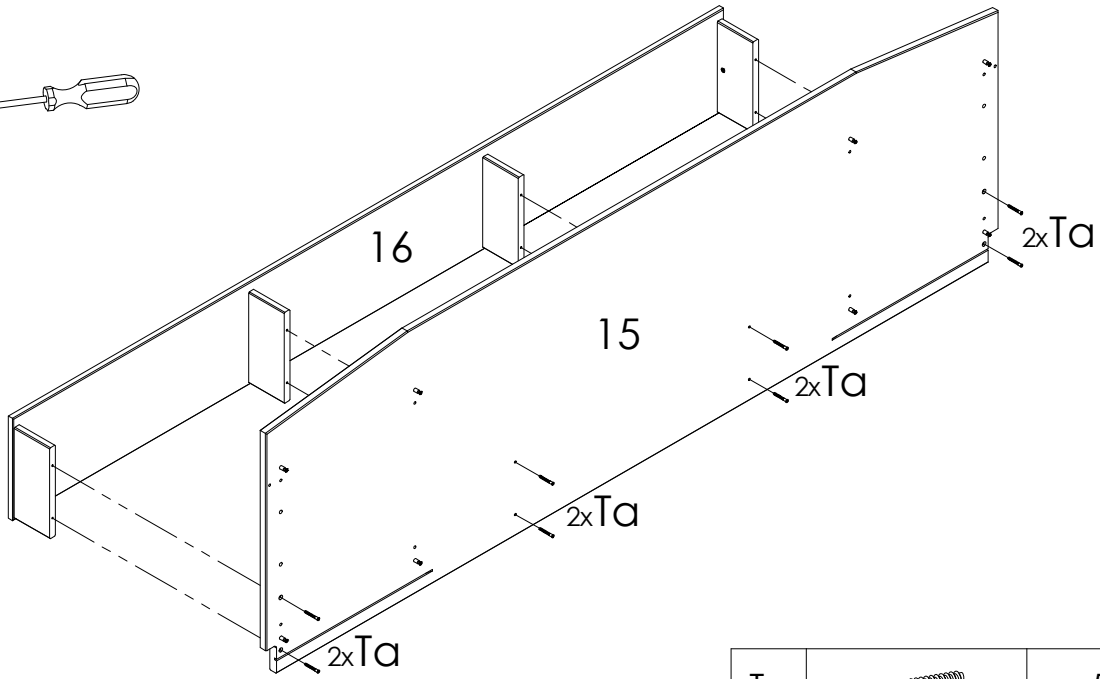
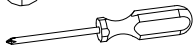
13



Da		10x11	x4
----	---	-------	----

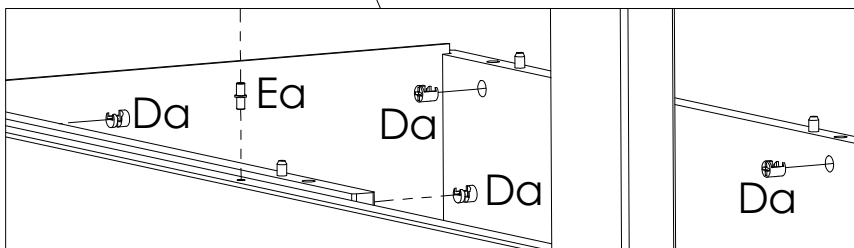
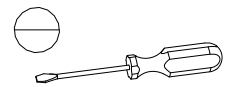
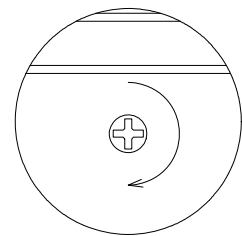
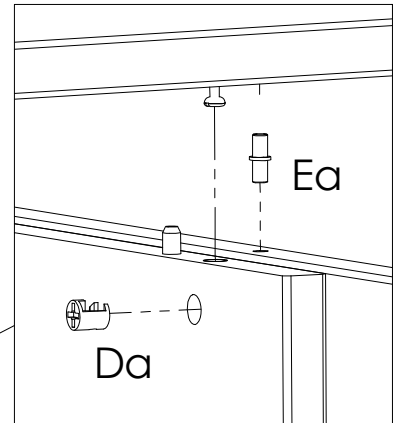
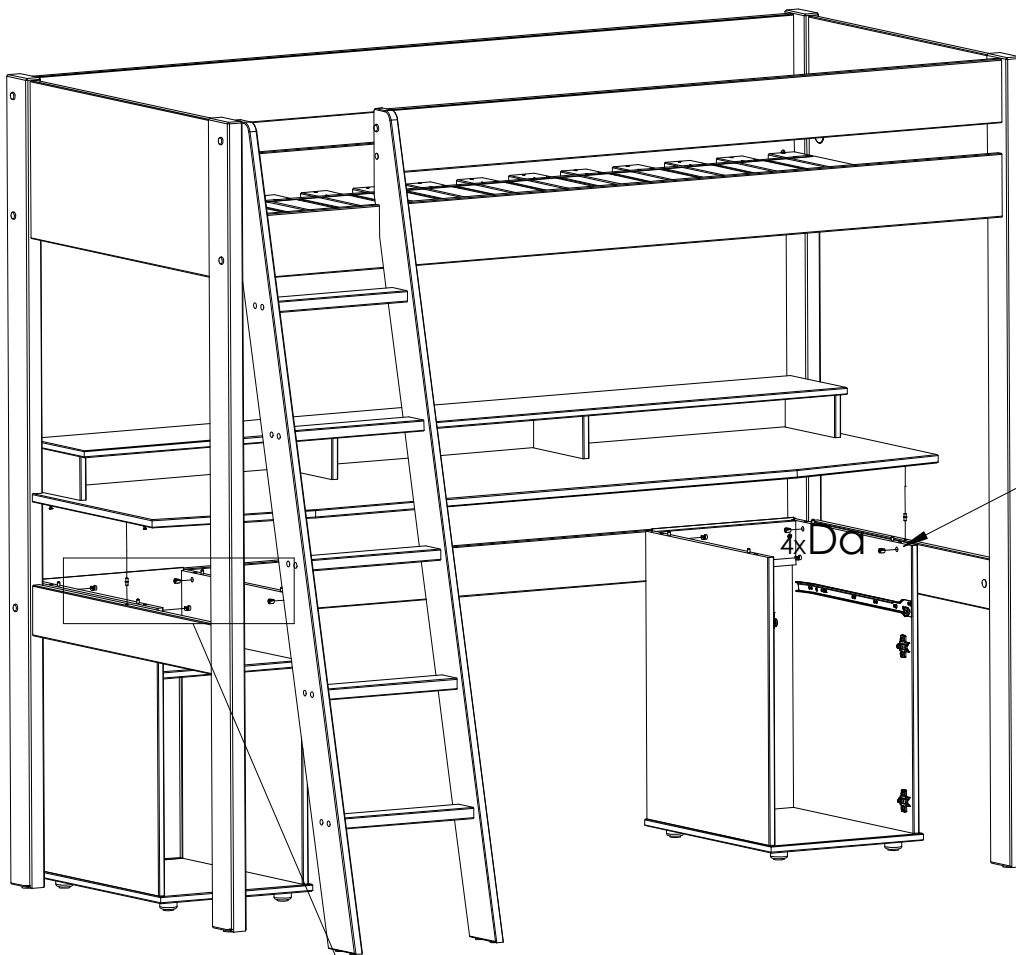


14



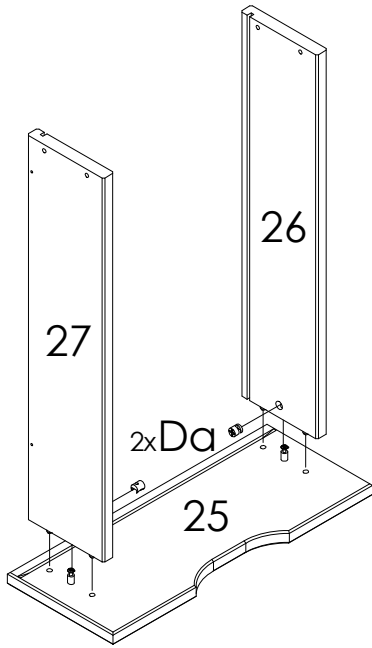
Ta		5x38	x8
----	--	------	----

15

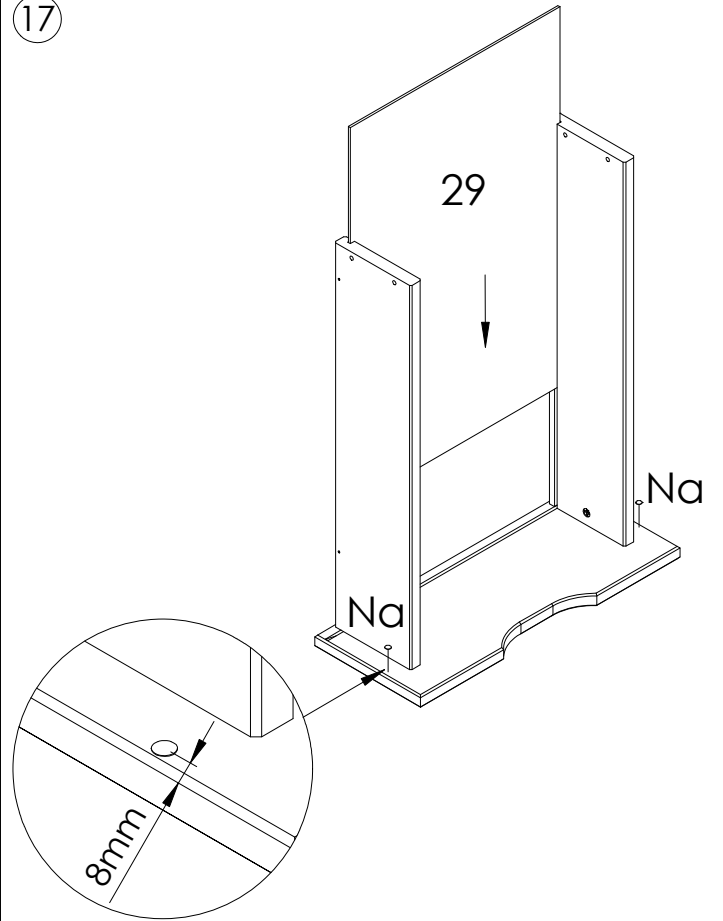


Da		10x11	x8
Ea		D5x16	x2

16

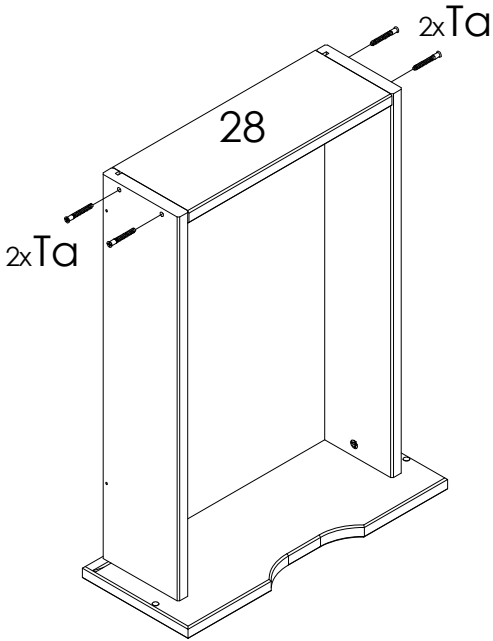
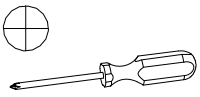


17

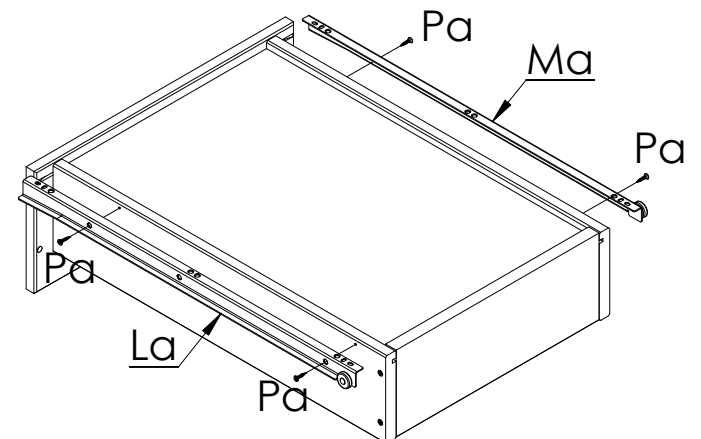
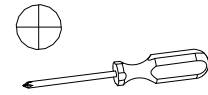


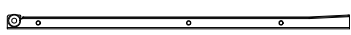

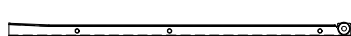
Da		10x11	x2	Na		7x1,5	x2
----	---	-------	----	----	---	-------	----


18



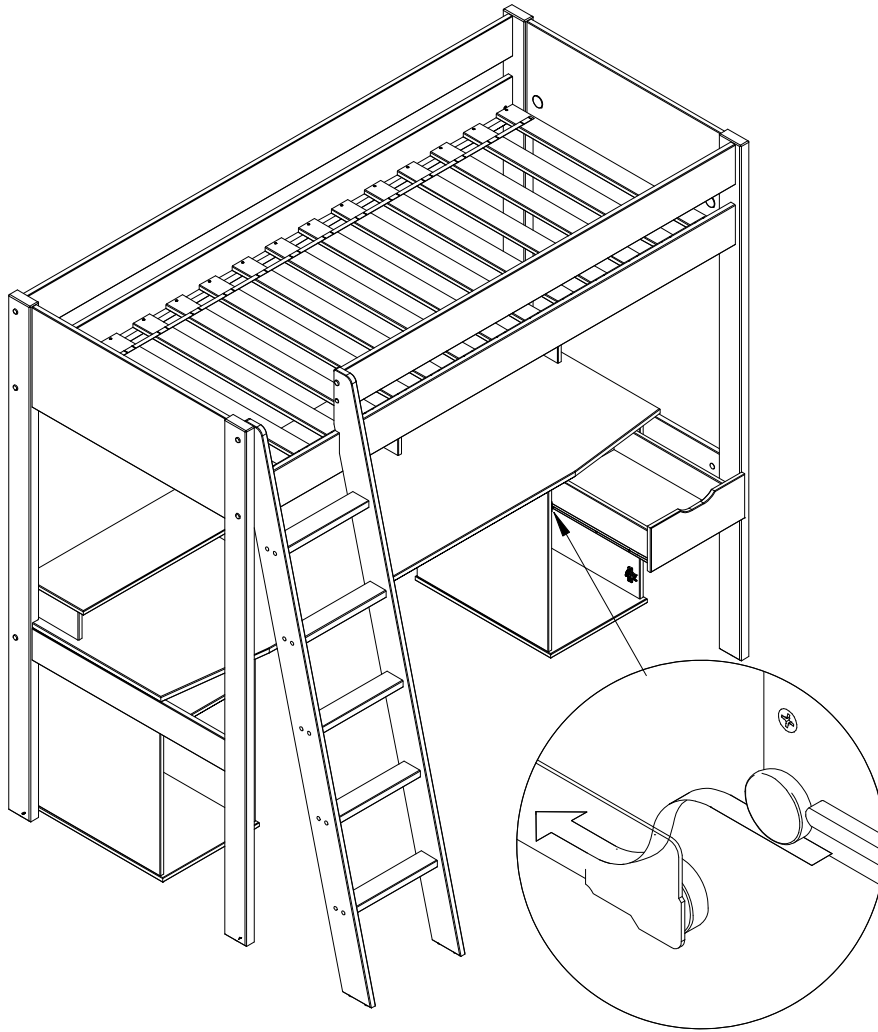
19



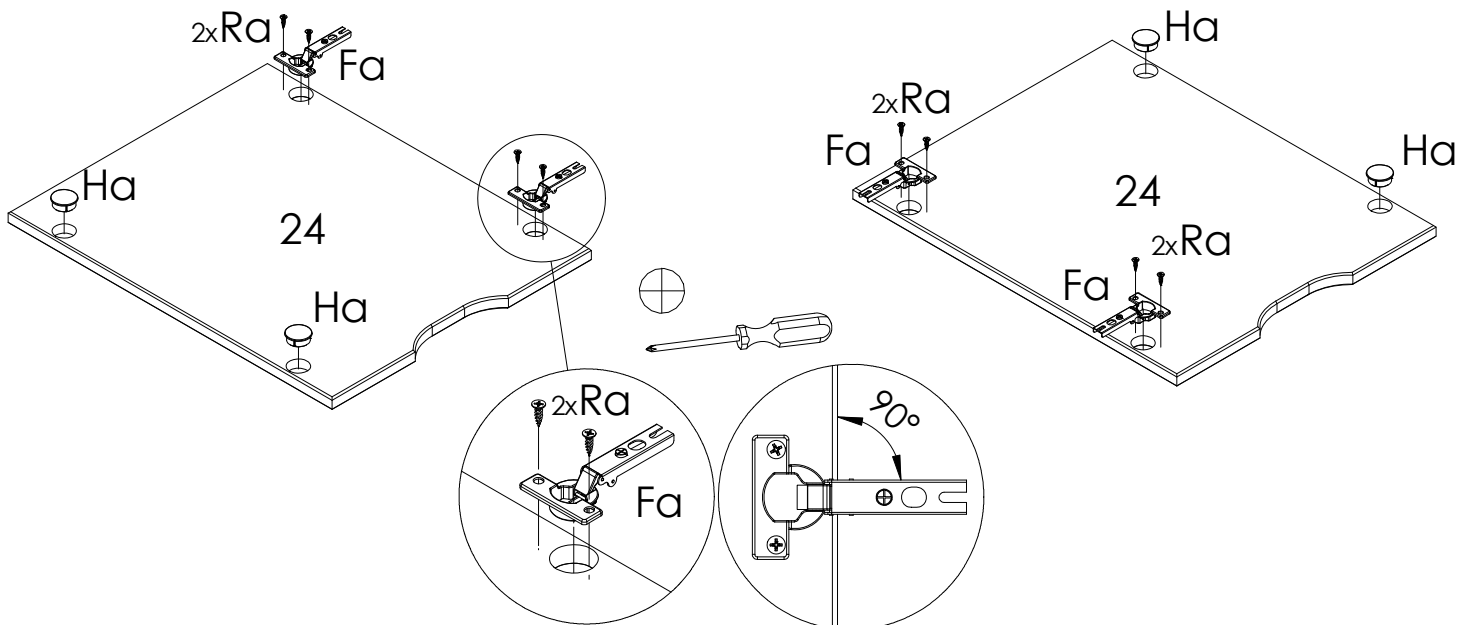
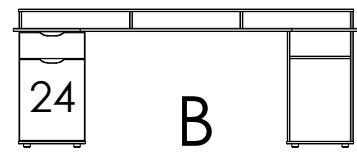
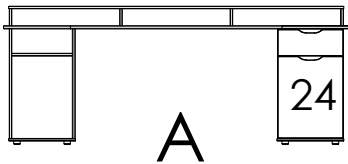
La		500mmDL	x1	Pa		3x15	x4
Ma		500mmDR	x1				

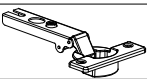

Ta		5x38	x4				
----	---	------	----	--	--	--	--


20



21



Fa		D26	x2
Ha		D26	x2

Ra		3,5x15	x4
----	---	--------	----

22

