

Assembly Instructions

Important before assembly:

Read these instructions carefully before assembling or using the product.

Please check the contents of the boxes before attempting to assemble this product. The instructions will have a checklist of parts and fittings.

Assemble the product as close to its intended final location/room as possible.

Health & Safety:

This product or some parts of this product will be heavy. Please use an assistant when lifting.

Please keep small parts out of reach of children.

Always use on a level, even surface.

DO NOT jump on the product or any of its parts.

DO NOT use this product if any parts are missing, damaged or worn.

DO NOT use this product unless all fixings are secured.

Further instructions are on the following pages.

Please keep these instructions for future reference.



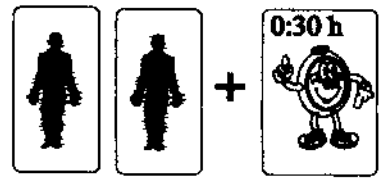
This product or some parts of this product will be heavy. Please use an assistant when lifting.



Never drag or push the pieces across a hard or stone floor as this will cause damage to the joints. Use a carpet or a rug for extra care.



If you have problems assembling or have damaged or missing pieces, please contact our customer services (details at the back of these instructions)



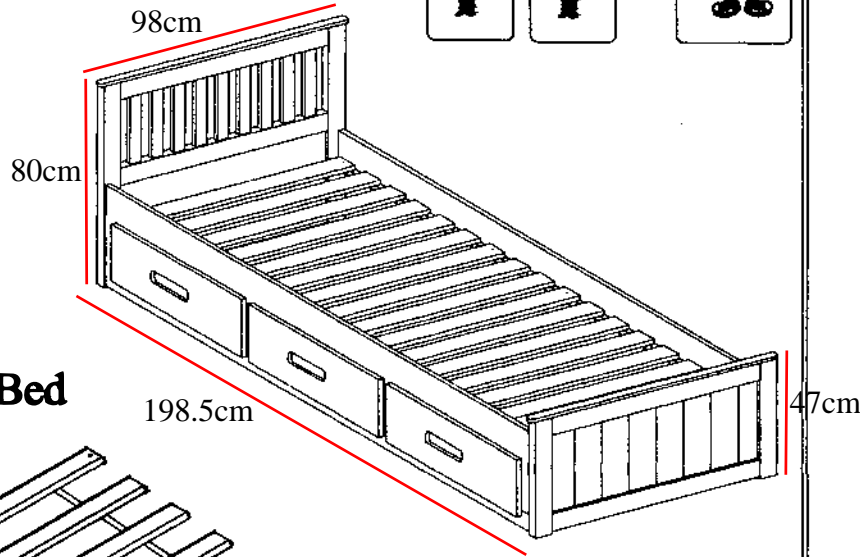
Tools Required



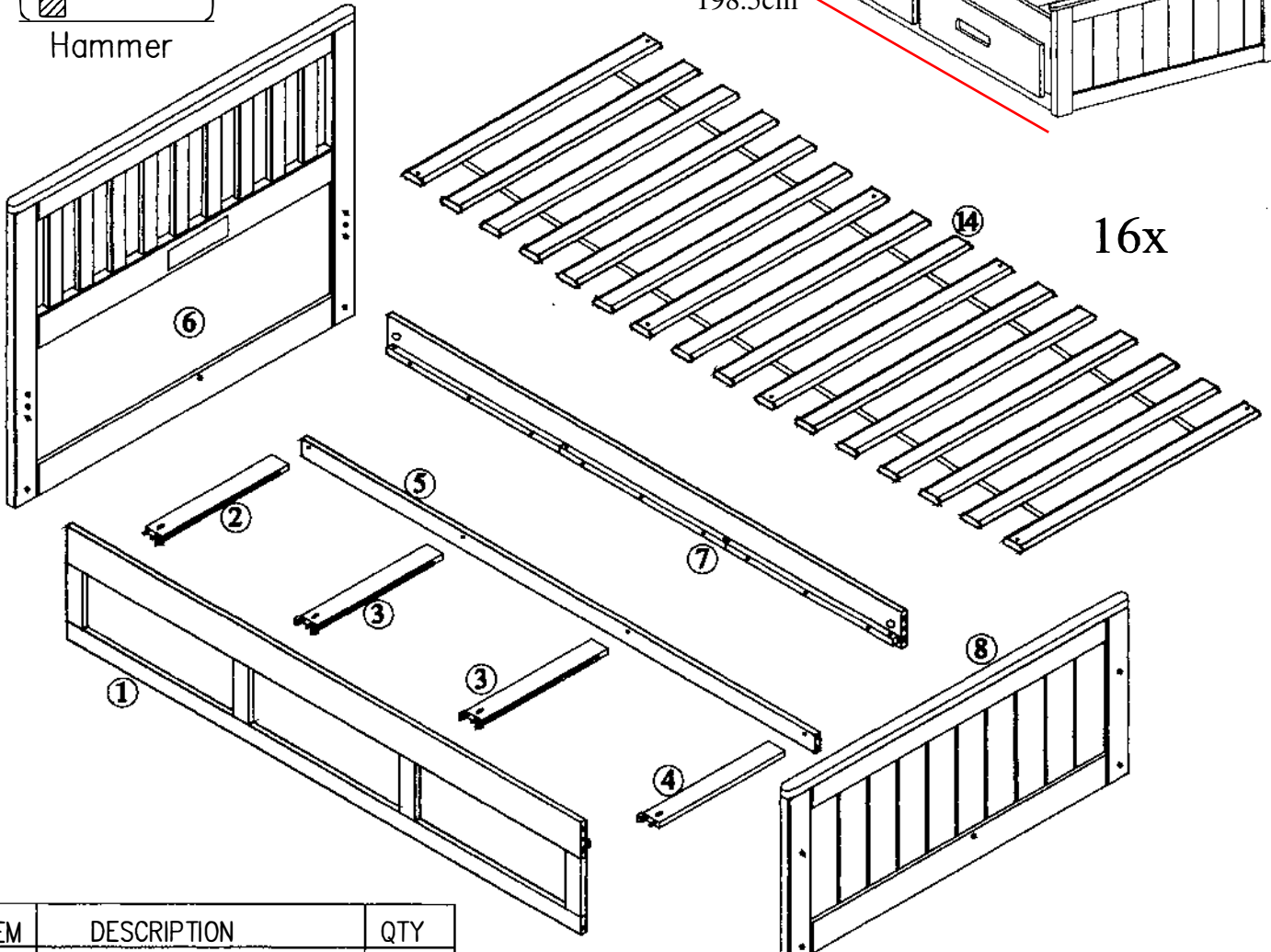
Phillips Head Screwdriver



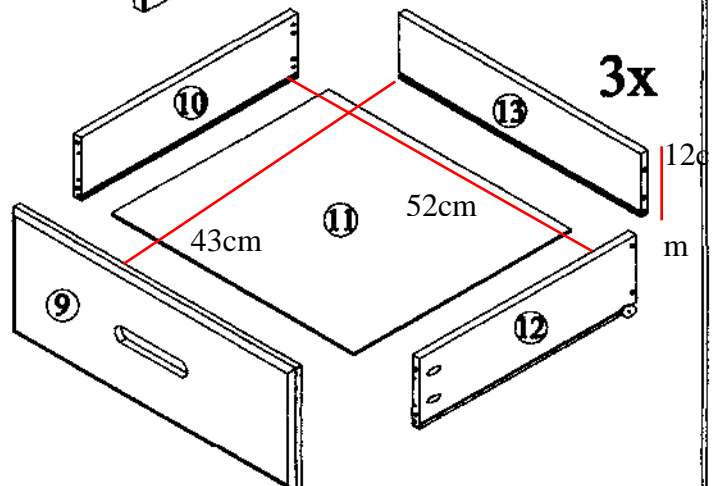
Hammer




Part List - Bed



ITEM	DESCRIPTION	QTY
1	FRONT	01
2	LEFT DRAWER RUNNER	01
3	DRAWER RUNNERS	02
4	RIGHT DRAWER RUNNER	01
5	CROSSBEAM	01
6	HEADBOARD	01
7	BACK PANEL	01
8	FOOTBOARD	01
9	DRAWER FRONT	03
10	L/H DRAWER SIDE	03
11	DRAWER BASE	03
12	R/H DRAWER SIDE	03
13	DRAWER BACK	03
14	SLATS	16




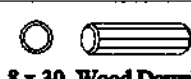
Identifying the Hardware – Identify the hardware using the illustrations below.

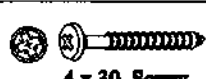
A  Qty **06**
1/4 x 70 Screw

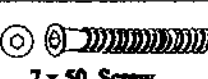
B  Qty **06**
1/4\"

C  Qty **01**
Allen Key

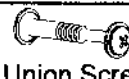
D  Qty **08**
10 x 40 Wood Dowel

E  Qty **24**
8 x 30 Wood Dowel

F  Qty **28**
4 x 30 Screw


G  Qty **06**
7 x 50 Screw

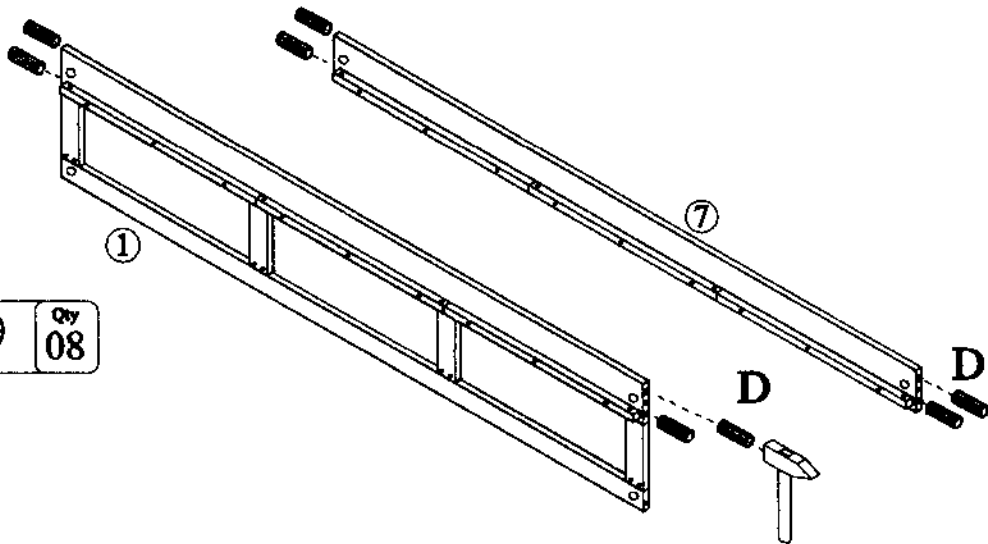
H  Qty **08**
1/4\"

I  Qty **02**
Union Screw

01

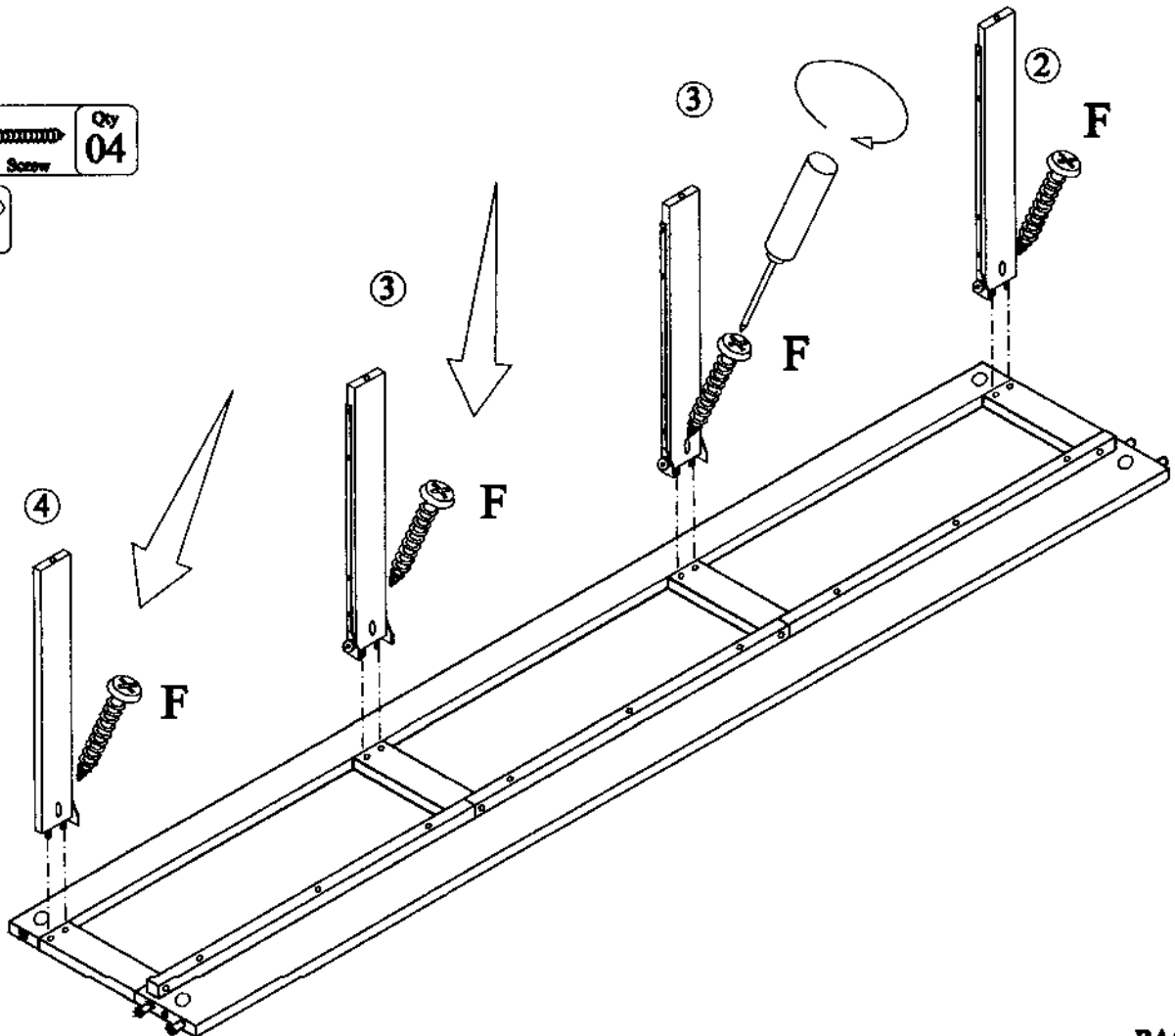
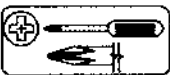


D  Qty **08**
10 x 40 Wood Dowel



02

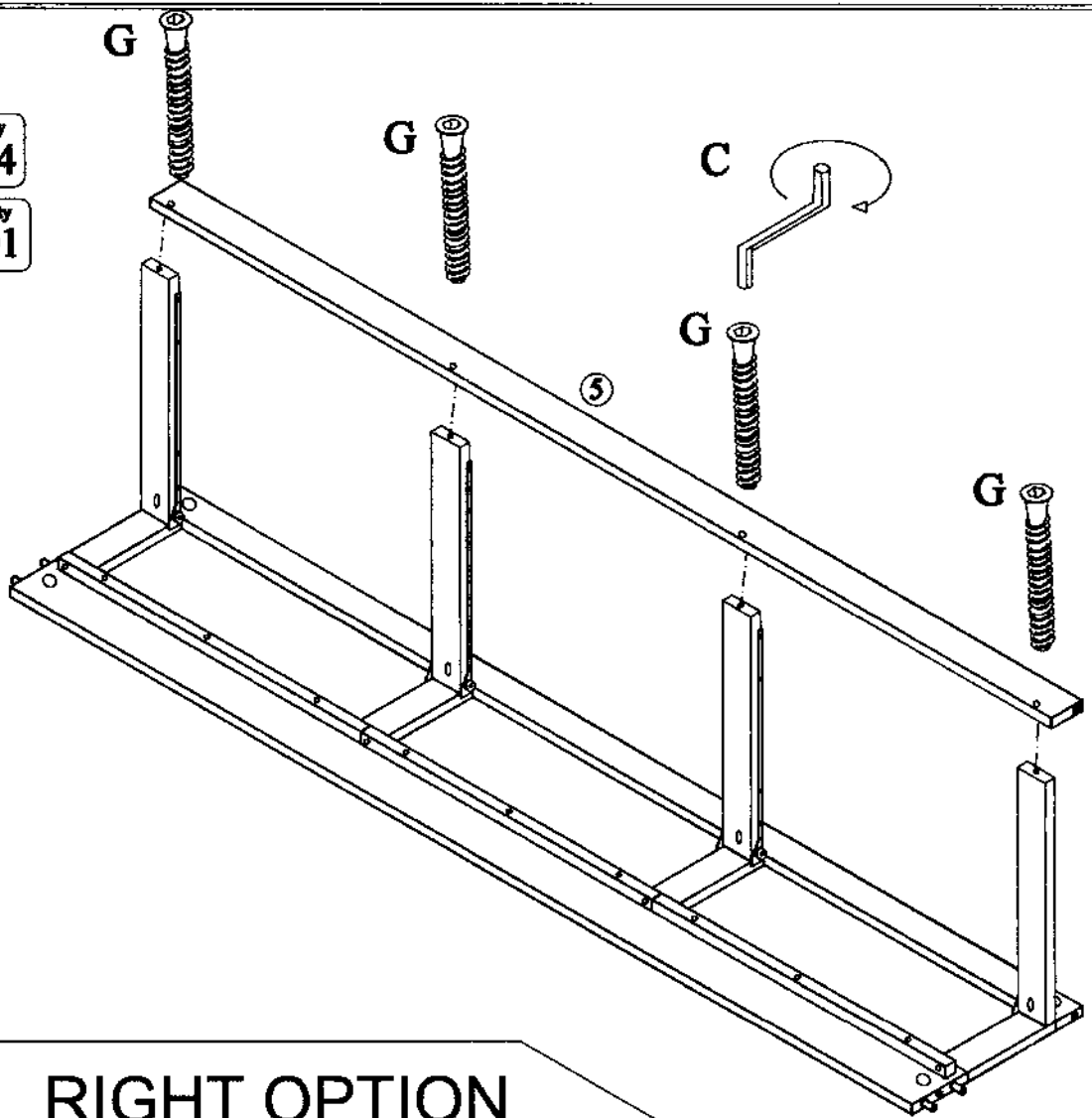
F  Qty **04**
4 x 30 Screw



03

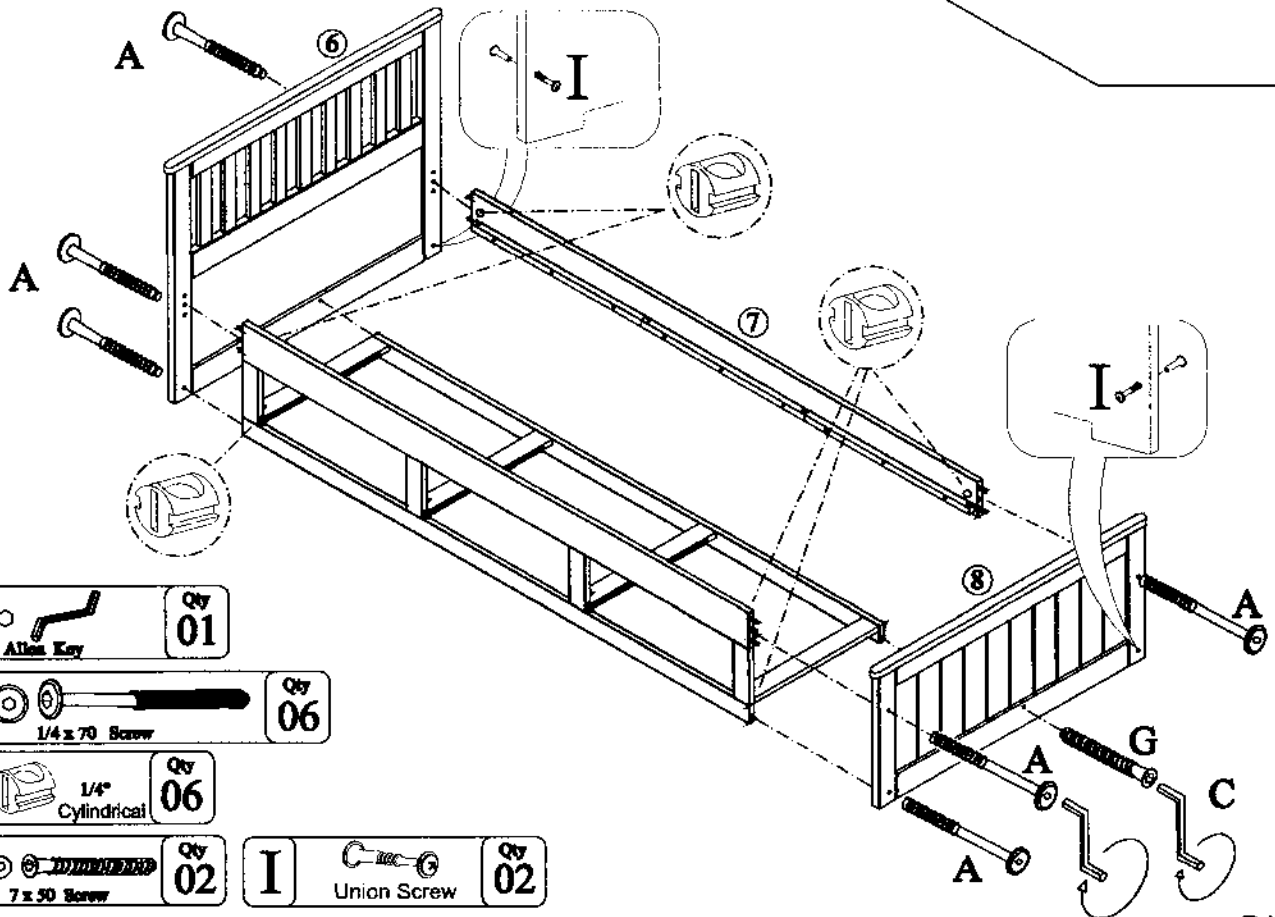
G 7 x 50 Screw QTY 04

C Allen Key QTY 01



04

RIGHT OPTION



C Allen Key QTY 01

A 1/4 x 70 Screw QTY 06

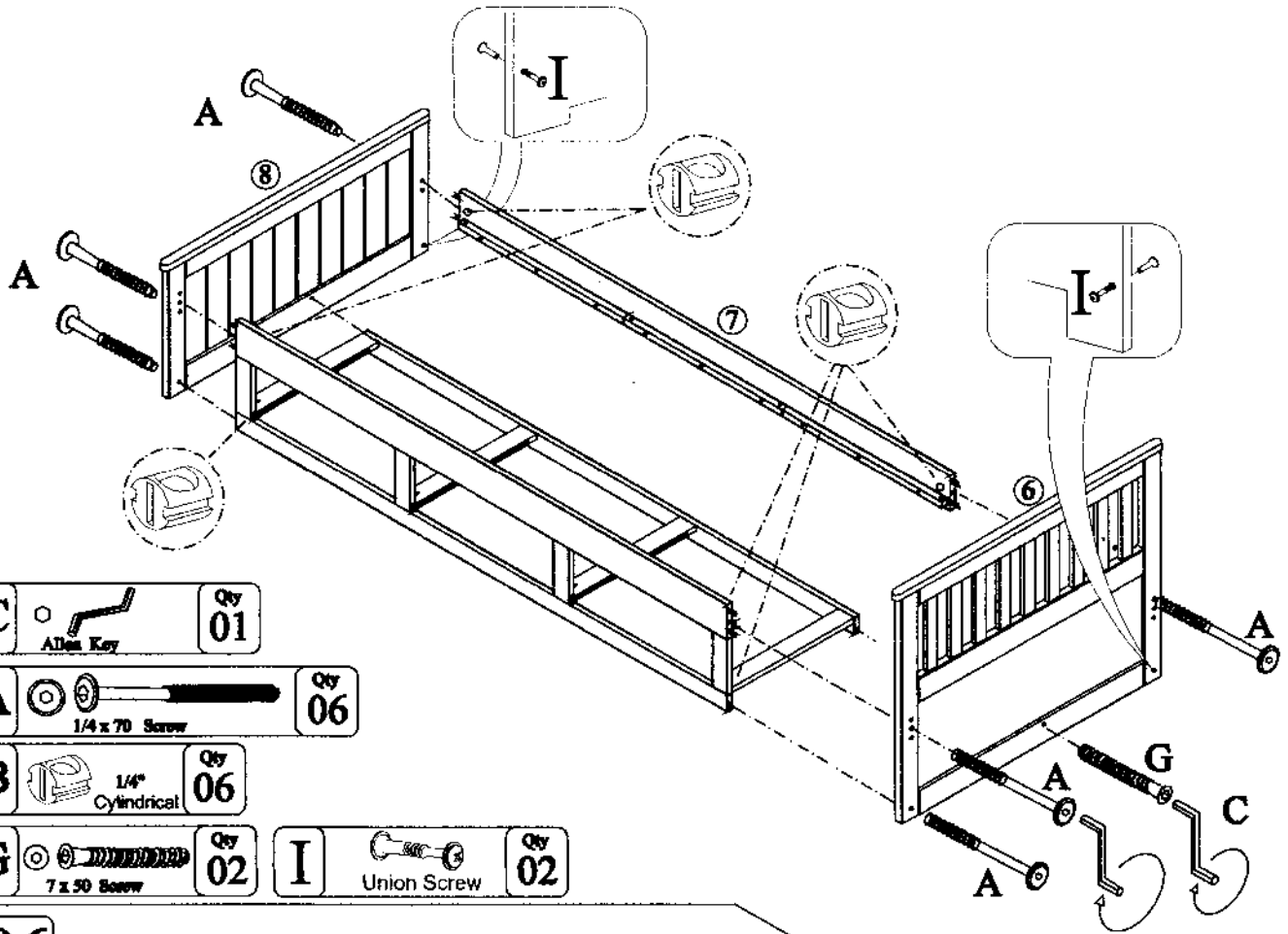
B 1/4" Cylindrical QTY 06

G 7 x 50 Screw QTY 02

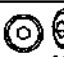
I Union Screw QTY 02

05

LEFT OPTION



C  Qty **01**

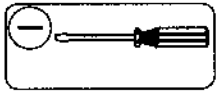
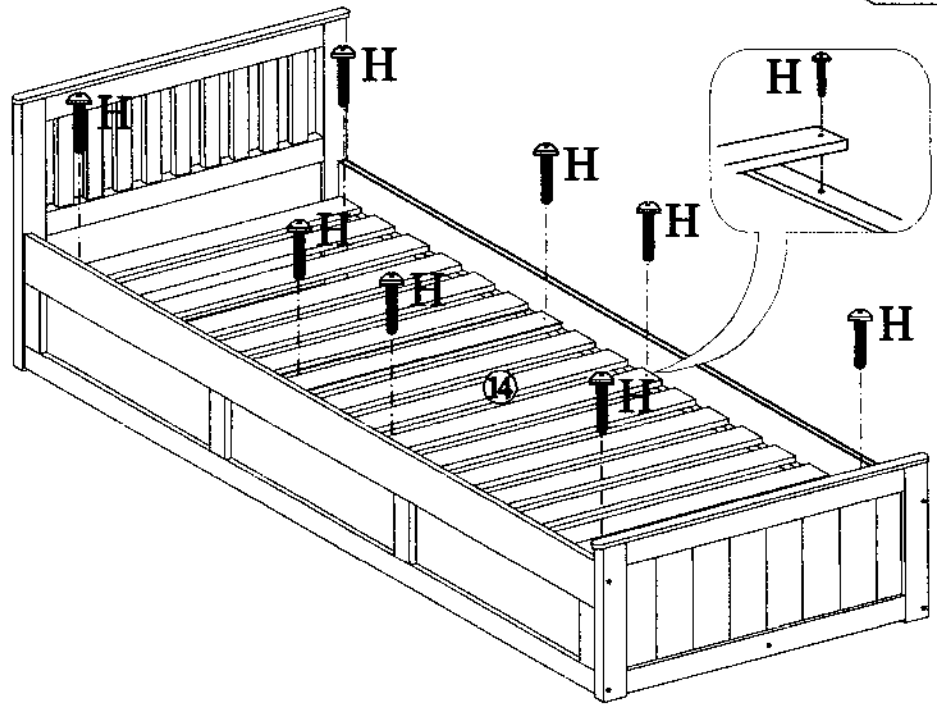
A  Qty **06**

B  Qty **06**

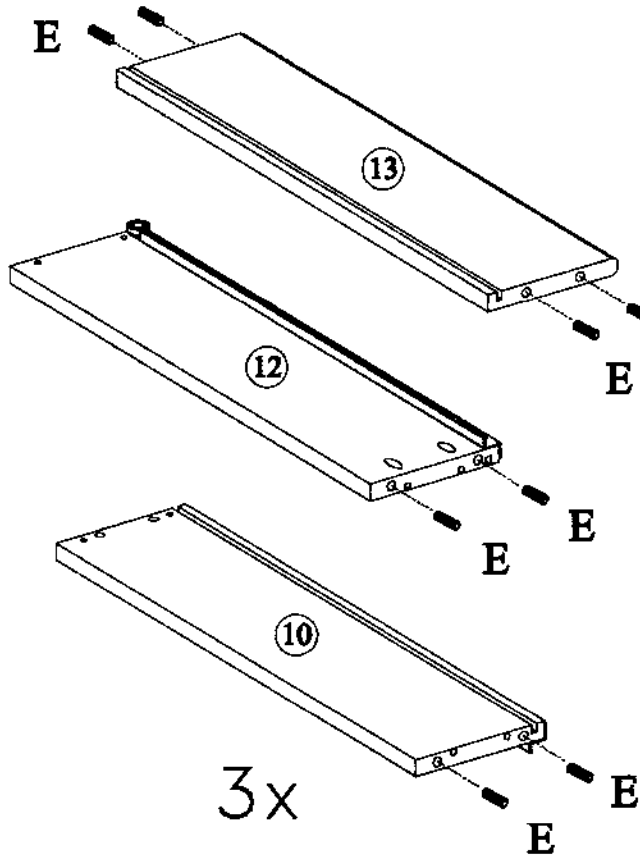
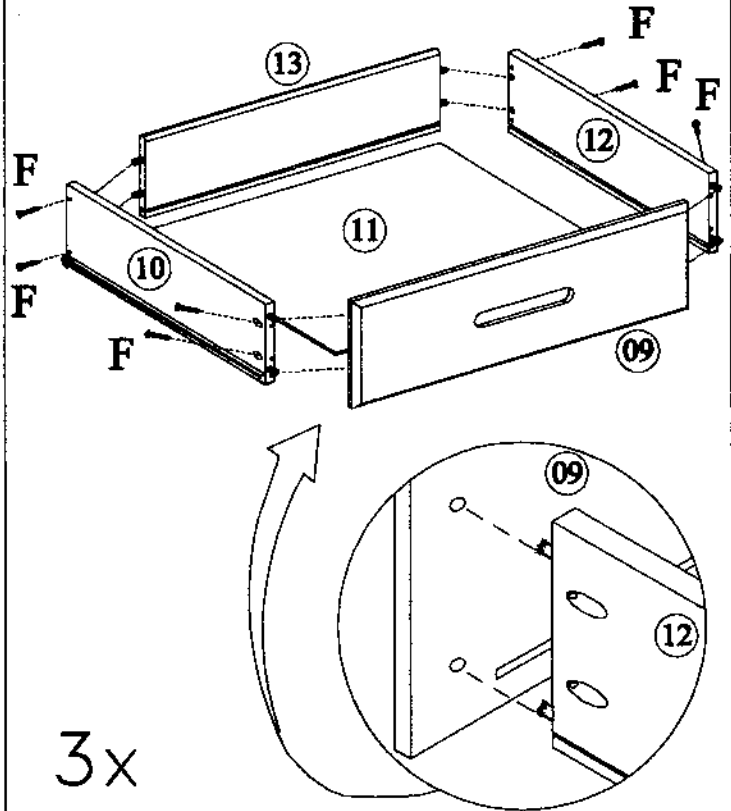
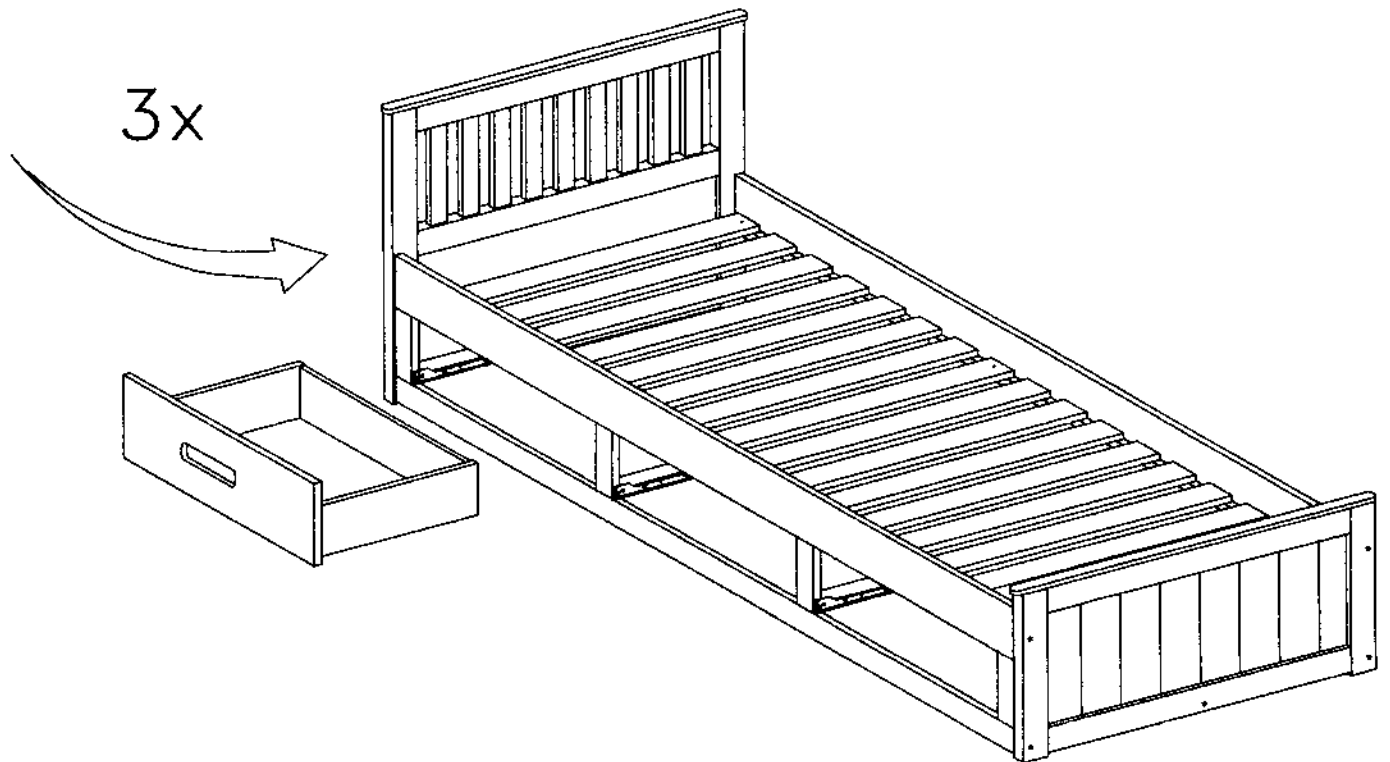
G  Qty **02**

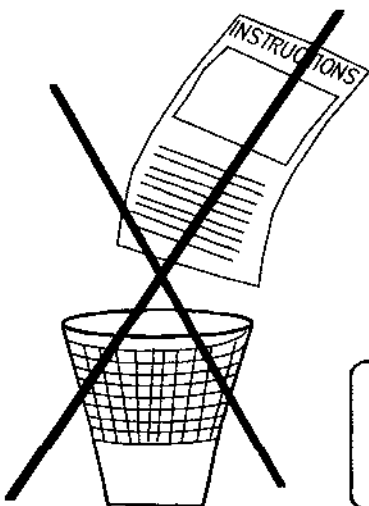
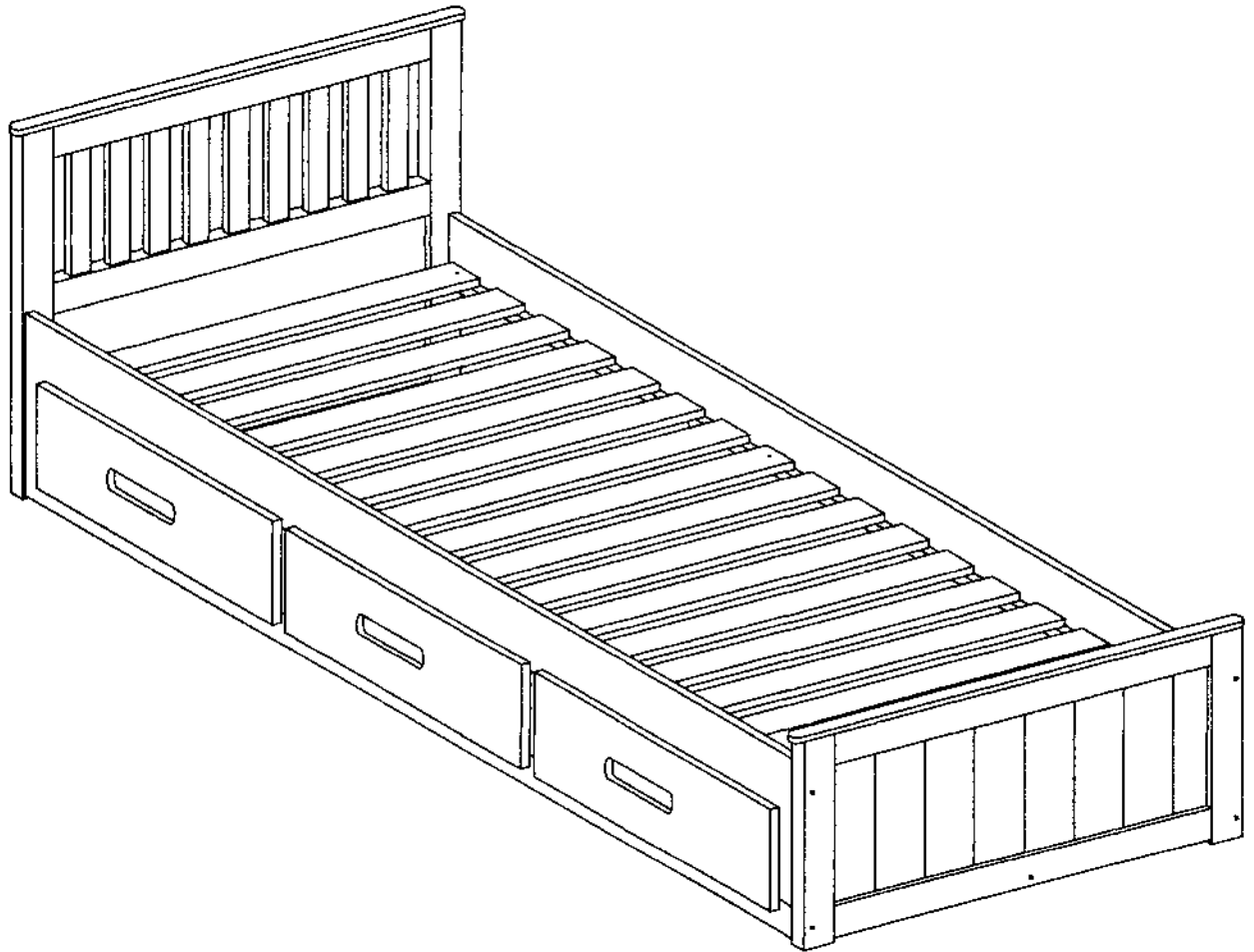
I  Qty **02**

06



H  Qty **08**

07**08****09**




**WHEN FULLY ASSEMBLED PLEASE
ENSURE ALL SCREWS ARE TIGHTENED.**

Please dispose of all packaging safely.

General Care & Maintenance

Wipe clean with a slightly damp cloth.
Avoid the use of all household cleaners and abrasives.

Periodically check all screw & fixings to ensure they are secure.

When moving your product, carefully lift into place. Never drag or push the product across the floor as this will cause damage to the joints. If the product is used on hard flooring, such as wood or laminated floor, you must place some protection under the legs to stop the product from moving. If this is not adhered to, it could result in failure to the product that will invalidate the warranty.

For more information on cleaning and product care visit:
<https://www.happybeds.co.uk/help-and-advice>

Notes

In the unlikely event that you have problems putting this product together or have damaged or missing parts, please contact us by visiting:
<https://www.happybeds.co.uk/customer-service>