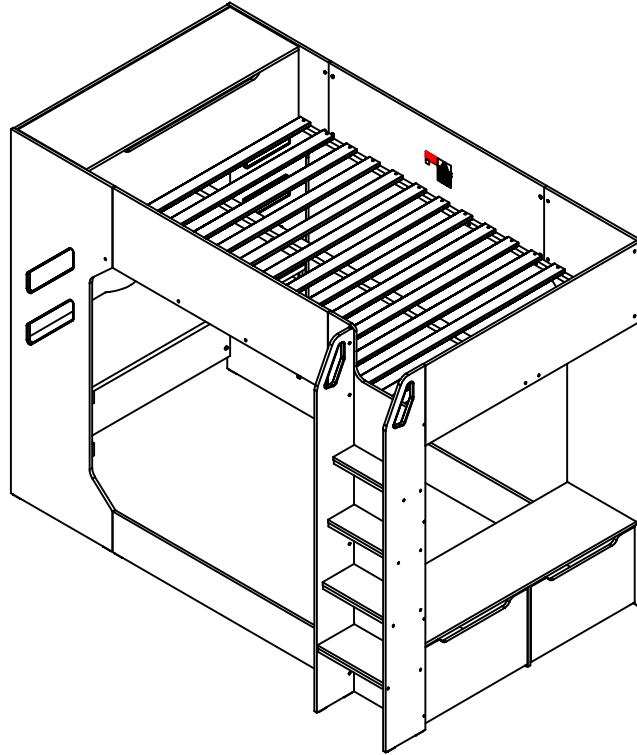


**IMPORTANT - READ CAREFULLY - RETAIN  
FOR FUTURE REFERENCE**

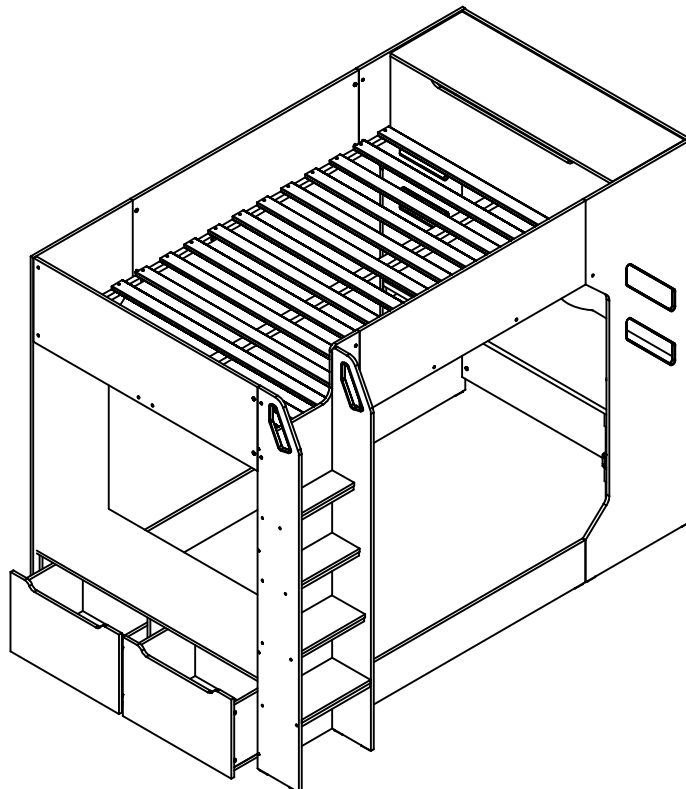
# **Multipurpose Bed Assembly Instructions**

**OPTION A**

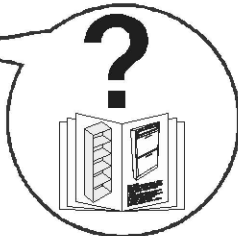
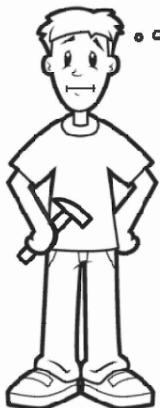
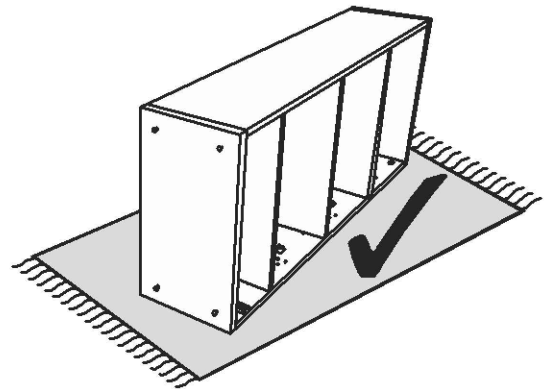
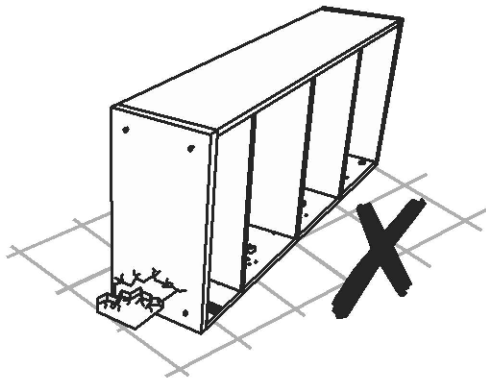
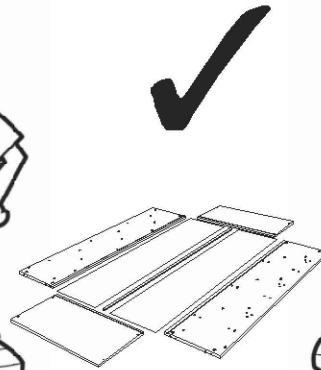
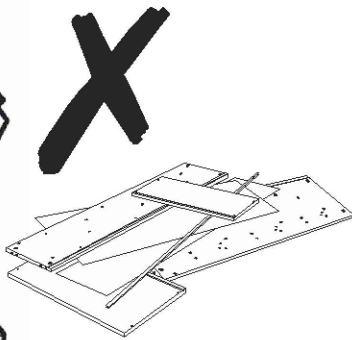
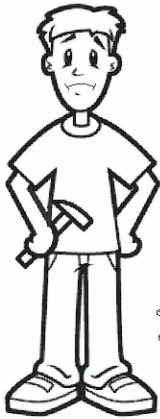
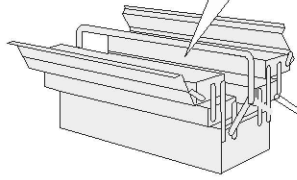
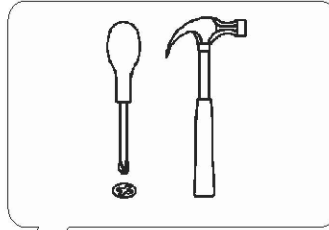
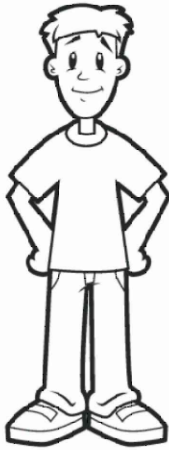


**Page 1 of 26**

**OPTION B**

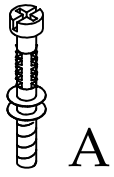


**Page 1 of 14  
27 of 38**



Flair Furniture Ltd  
(01924 950 955)

# HARDWARE



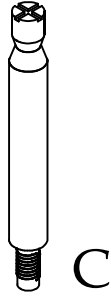
A

42x



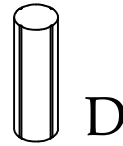
B

60x



C

18x



D

73x



E

20x



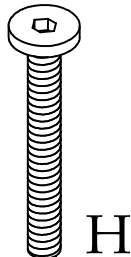
F

40x



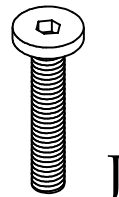
G

28x



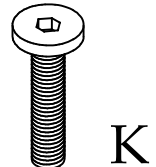
H

16x



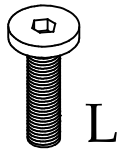
J

26x



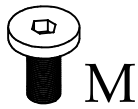
K

46x



L

8x



M

6x



N

4x



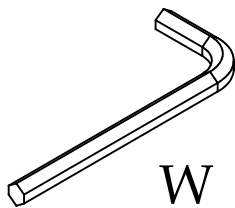
P

6x



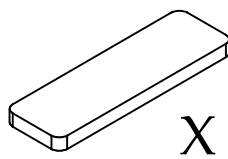
Q

20x



W

2x



X

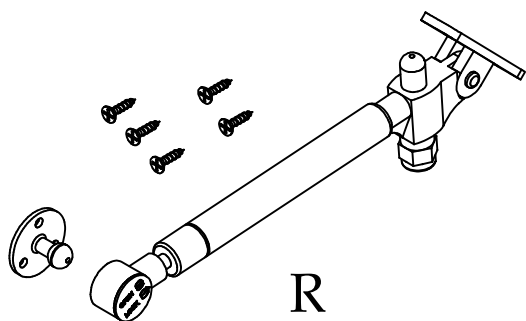
24x



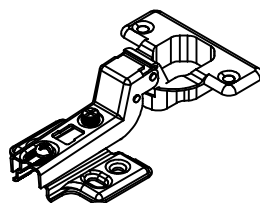
Y

39x

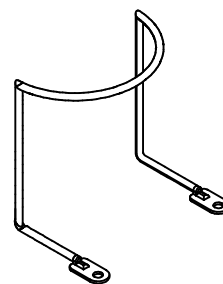
# HARDWARE



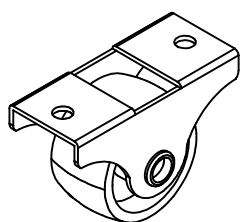
R  
2 sets x



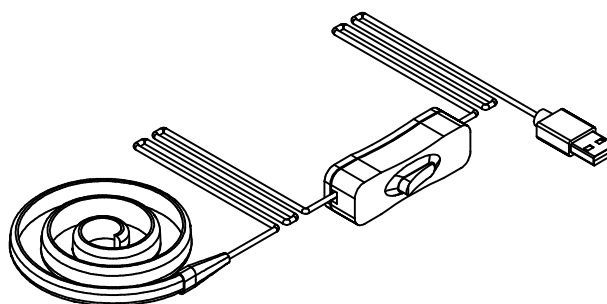
S  
3 sets x



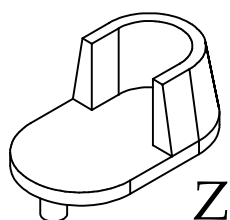
T  
1 x



U  
8 x



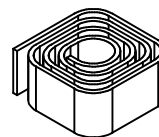
V  
1 sets x



Z  
2x

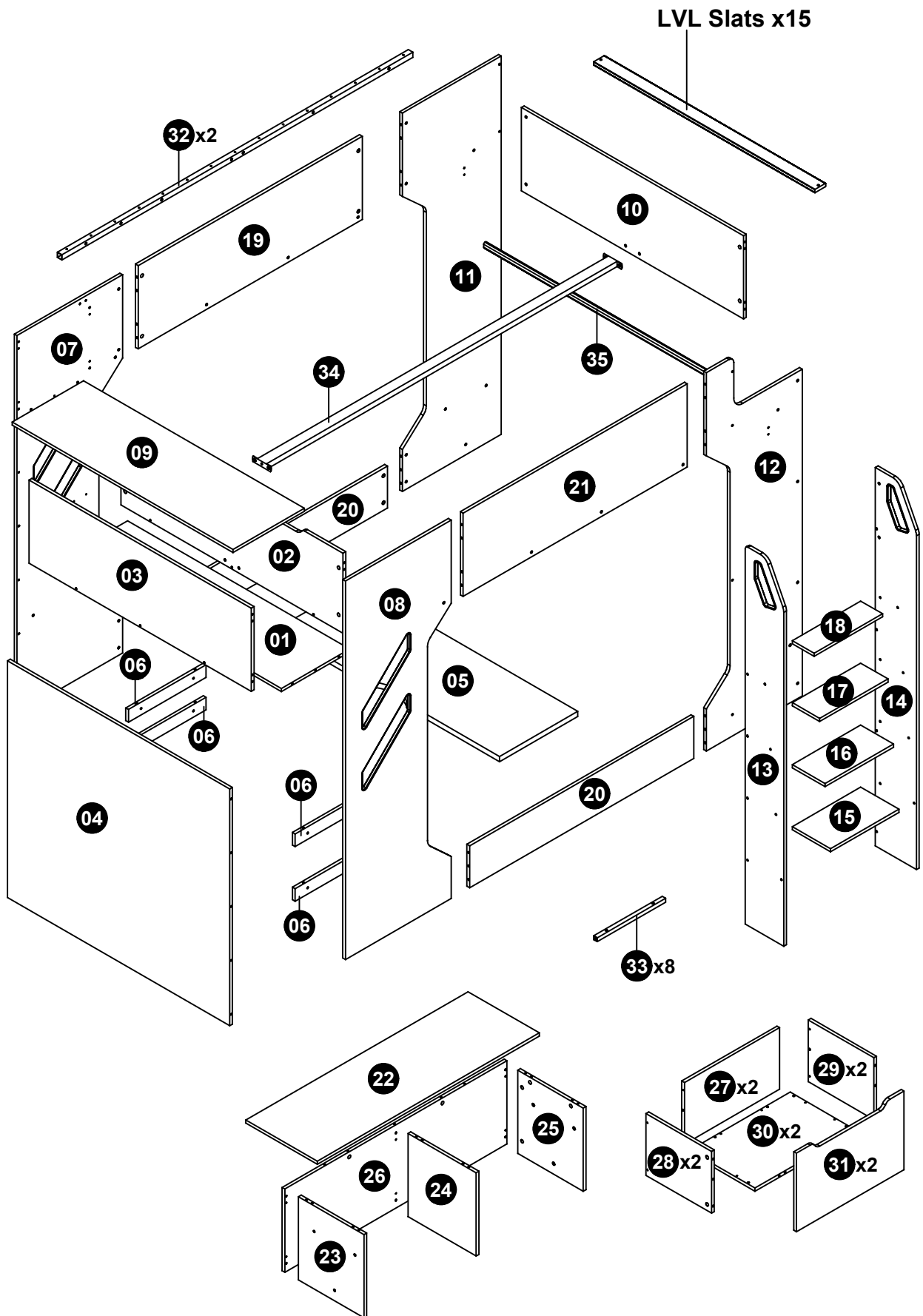


Z1  
4x



Z2  
2x

# PARTS



# Safety Advice

**WARNING: This bunk is intended for use by children only, with a maximum recommended weight of 75 Kg. Flair Furnishings. cannot be held responsible for failure or damage to the bunk or personal injuries should this warning be ignored.**

Please take the time to carefully read through the whole of these instructions before you commence.

Keep these instructions for future reference.

Unpack, inspect and check off all of the contents.

Please dispose of all packaging safely.

Small component parts could choke a child if swallowed.

We strongly recommend that you keep children well away from the work area.

It would be sensible to lay a sheet or blanket on the floor where you intend to work to avoid scratching this product and to protect your floor.

This product is heavy. Take extreme care when lifting to avoid personal injury or damage to the product.

Assemble the product as close to its intended final position in the room as possible.

Please check the contents of the boxes before attempting to assemble this product.

A full checklist of parts and fittings is given in pages 3 and 4 of this instruction leaflet.

**HANDY HINT:** If you keep the hardware in a bowl during assembly you will less likely to lose them.

## Important Information

Tighten firmly all the fittings when the assembly is complete.

The bed base is an integral and indissociable part of the bed.

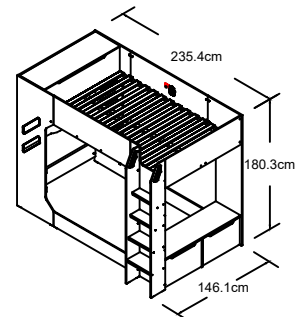
**WARNING:** High beds and the upper bed of bunk beds are not suitable for children under six years due to the risk of injury through falls.

It is not safe to use this product if any part of the structure is missing or broken.

Children could strangle themselves with articles, such as ropes, strings, cords, harnesses and belts attached to, or hung on this product.

**WARNING:** Children can become trapped between the bed and the wall. To avoid risk of serious injury the distance between the top safety barrier and the wall shall not exceed 75 mm or shall be more than 230 mm.

The largest size of the mattress recommended is: 190 X 90 X 18 cm.



1



A x 16



G x 14



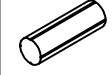
B x 16



R x 2

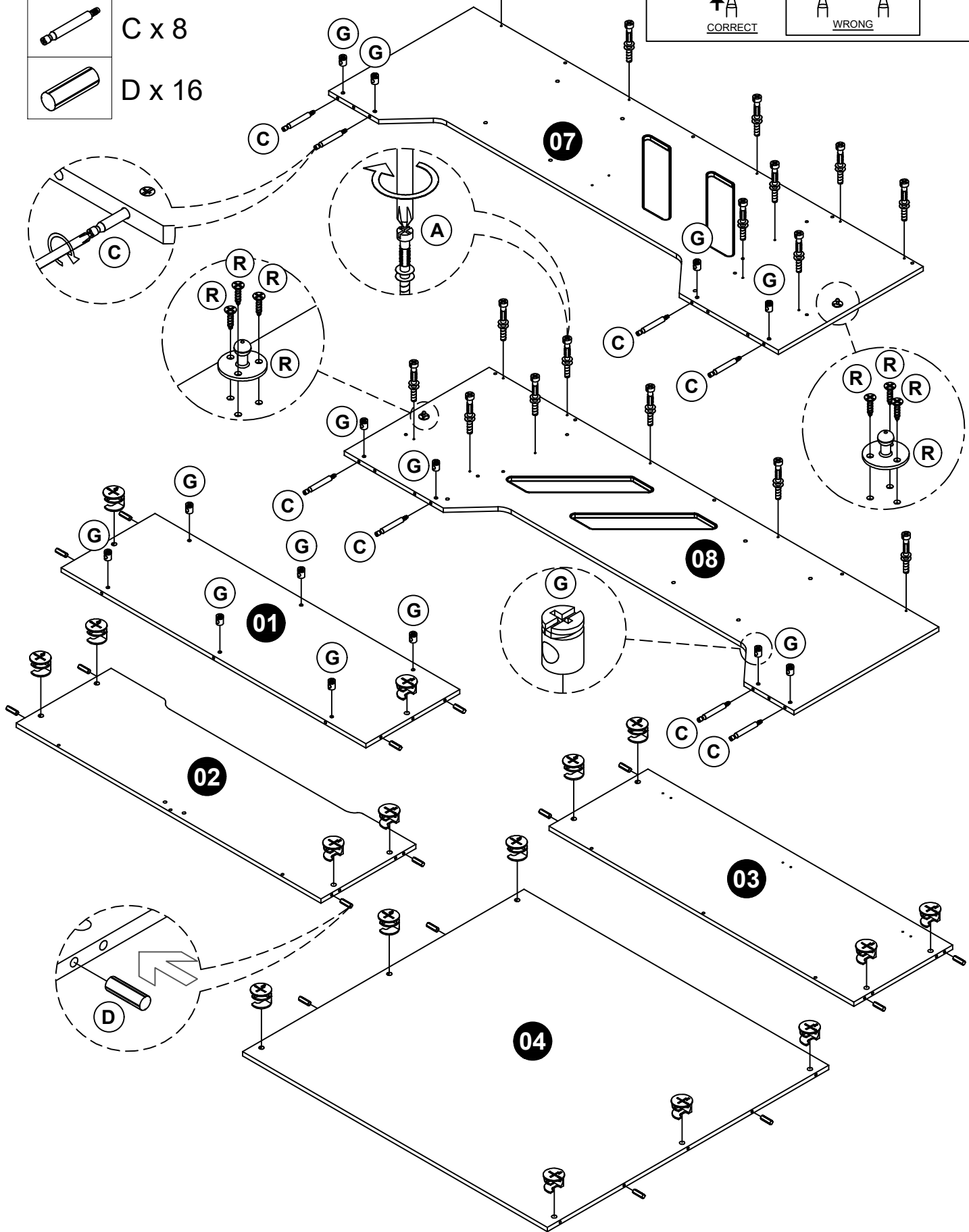
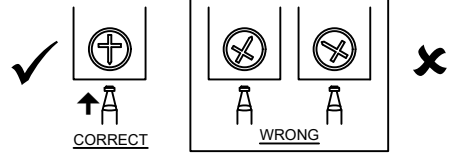


C x 8



D x 16

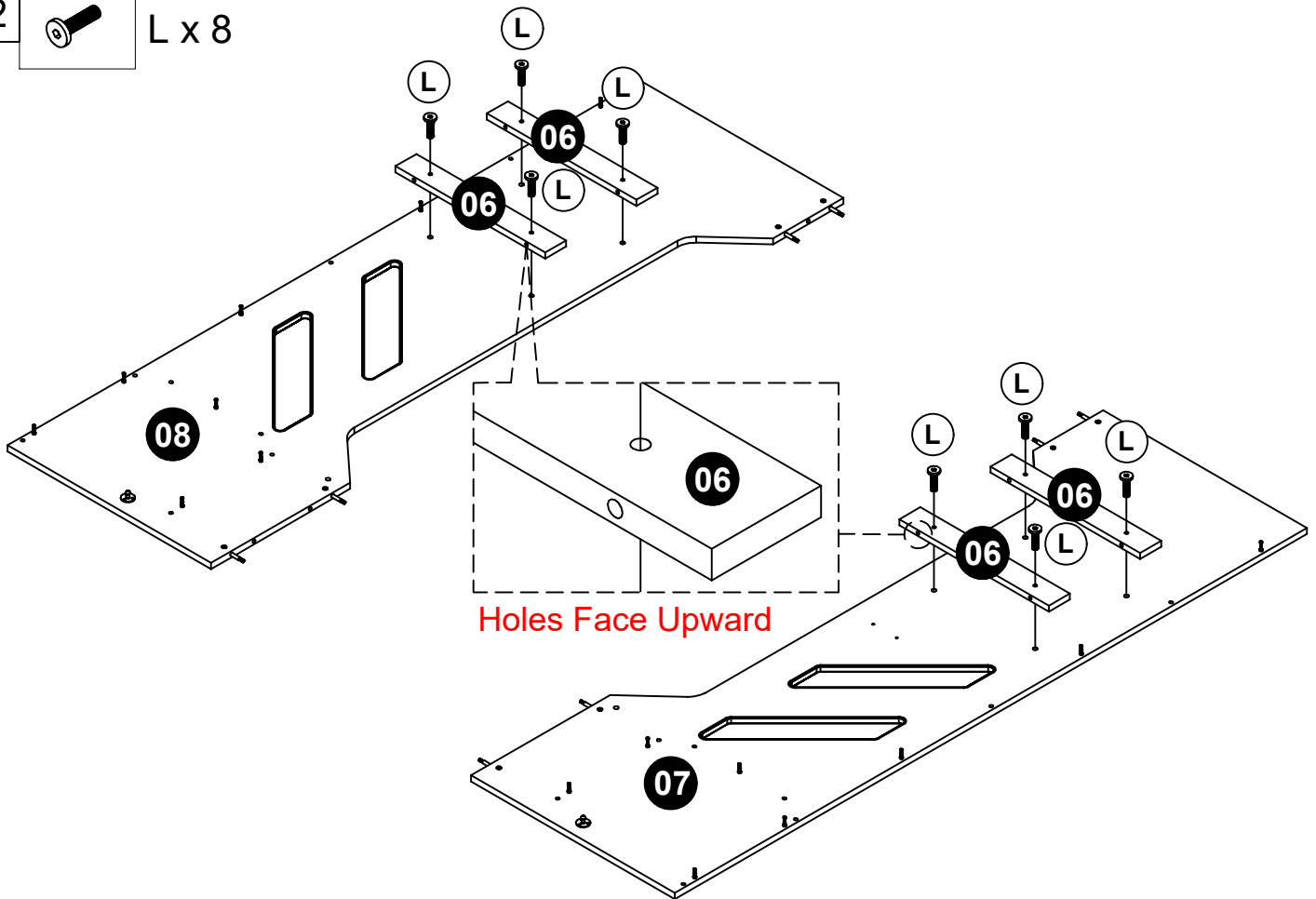
**WHEN FITTING CAMS**  
ENSURE STARTING POSITION IS CORRECT  
BEFORE YOU INSERT CONNECTING BOLT  
TURN CLOCKWISE UNTIL SECURE



2



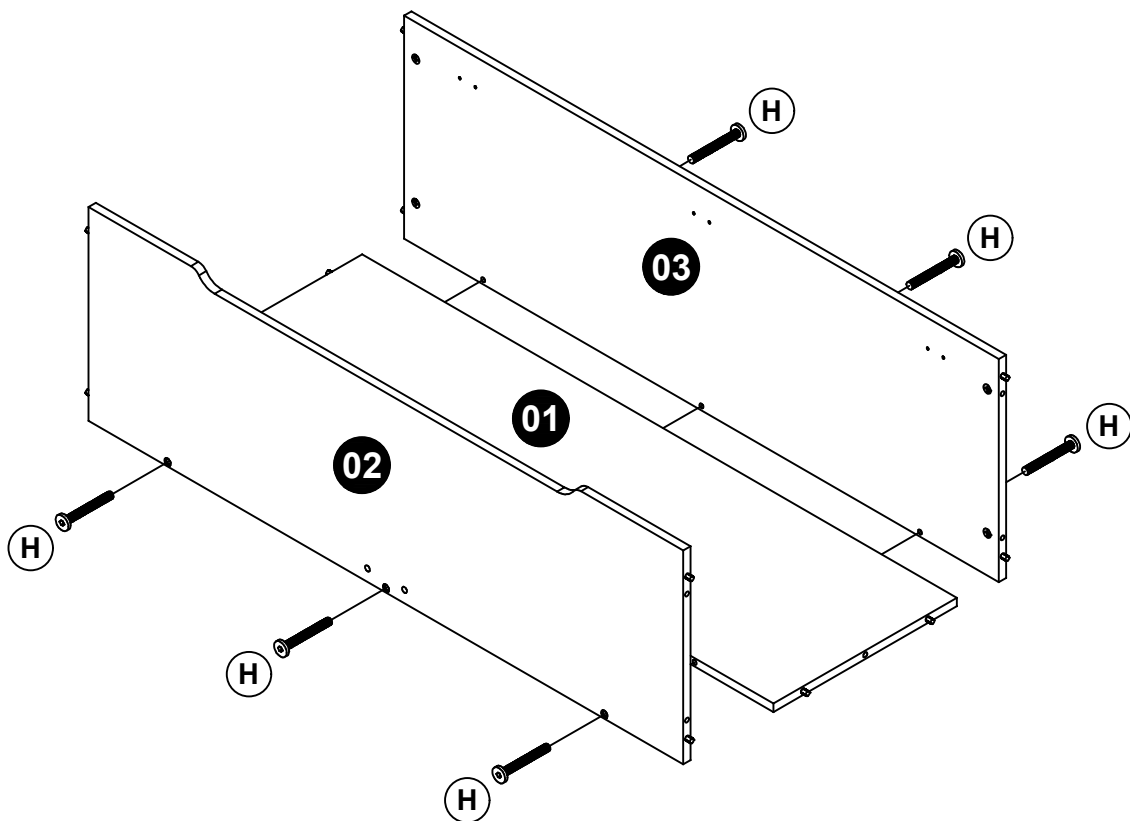
L x 8



3

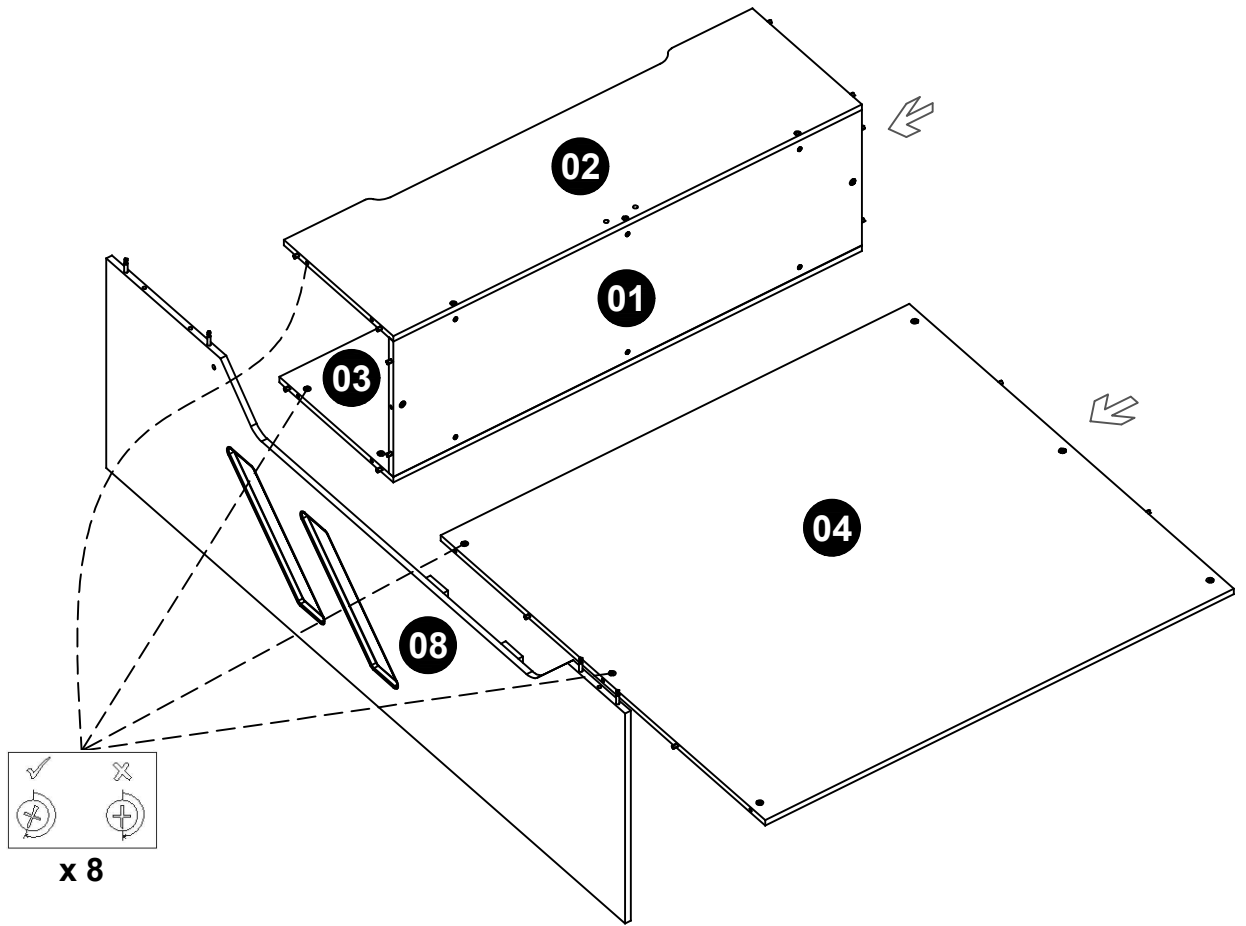


H x 6

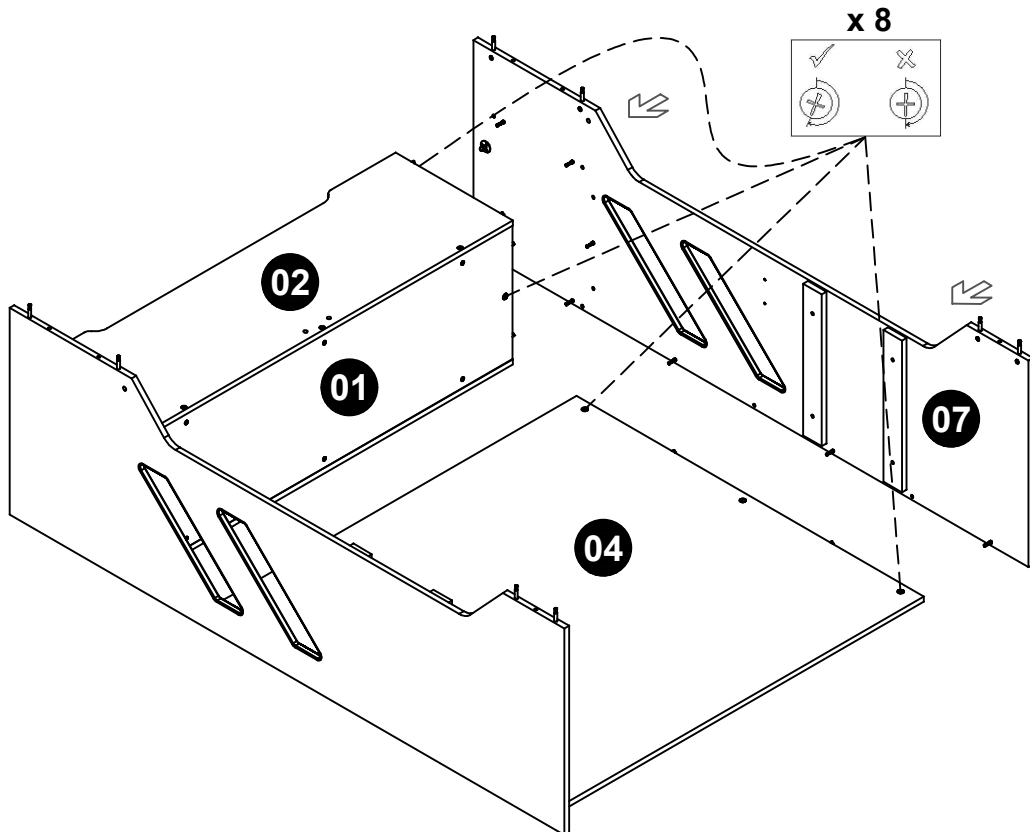




4



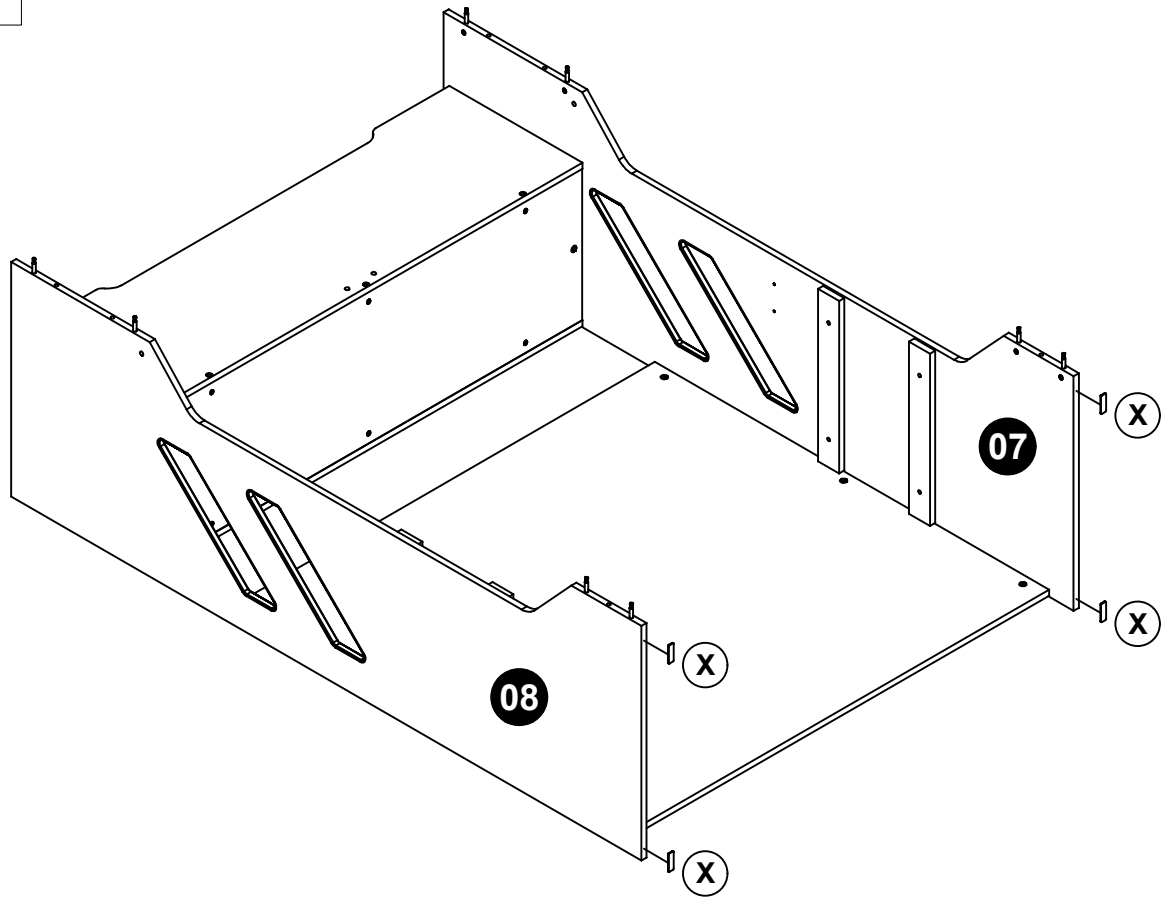
5



6



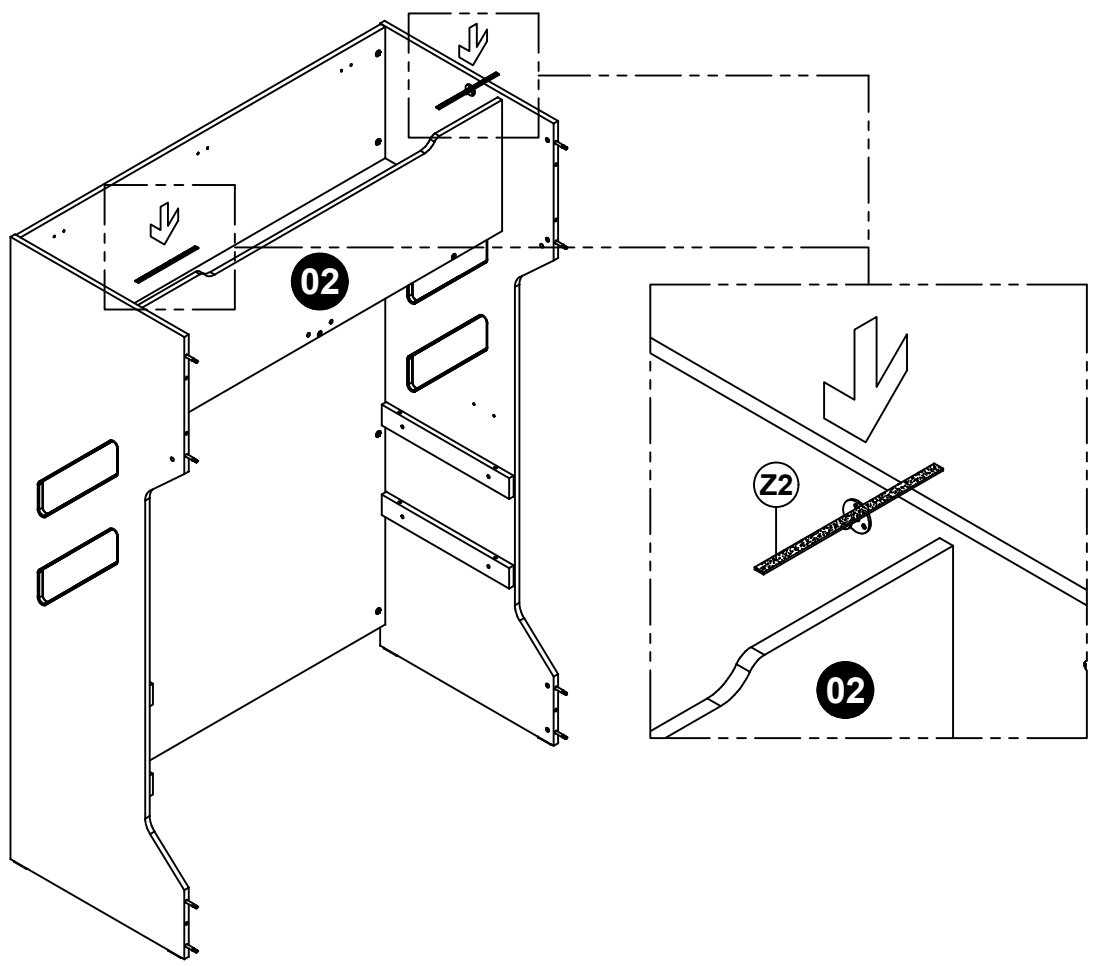
X x 4



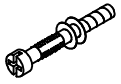
7



Z2 x 2



8



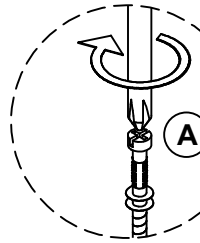
A x 26



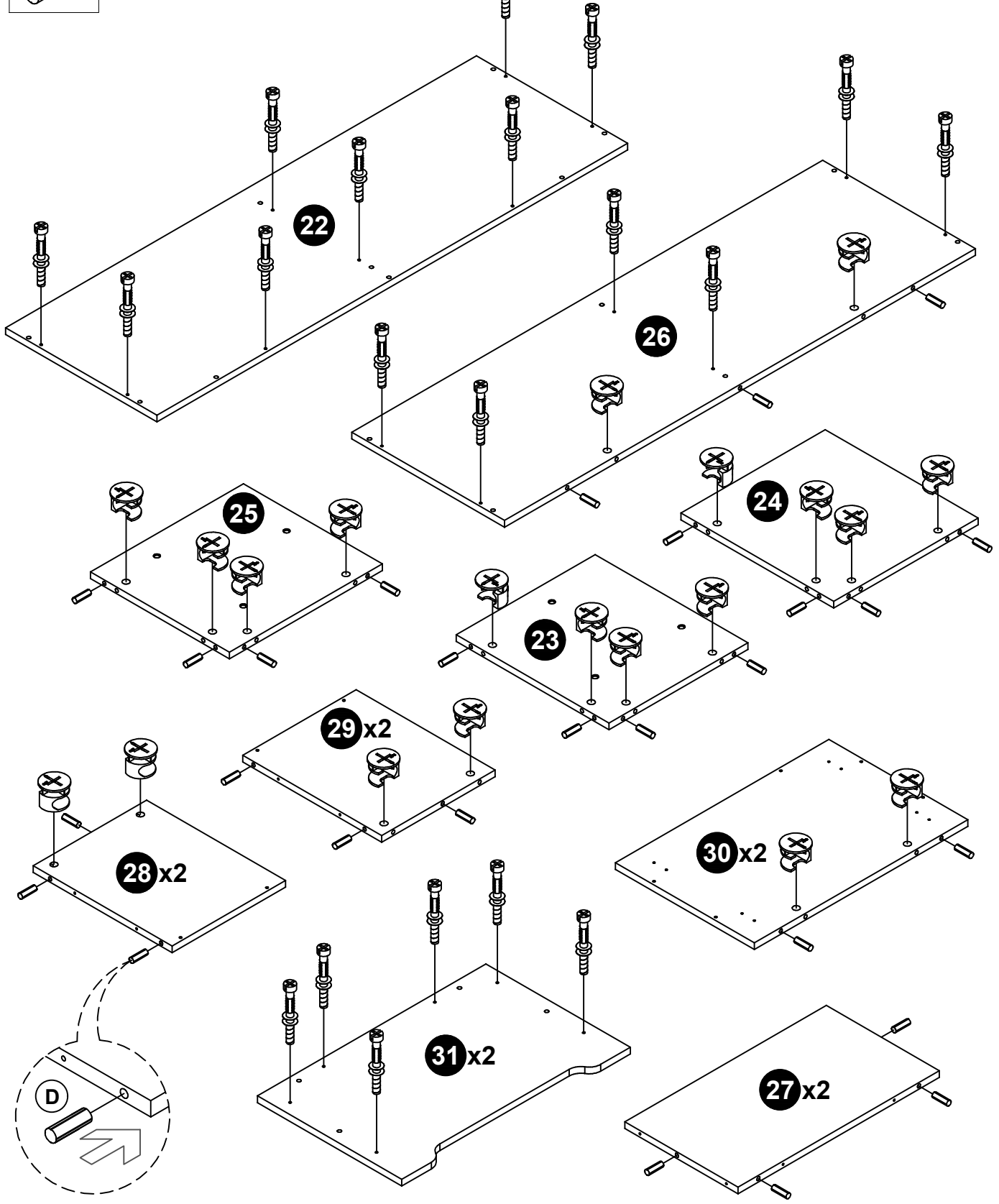
B x 26



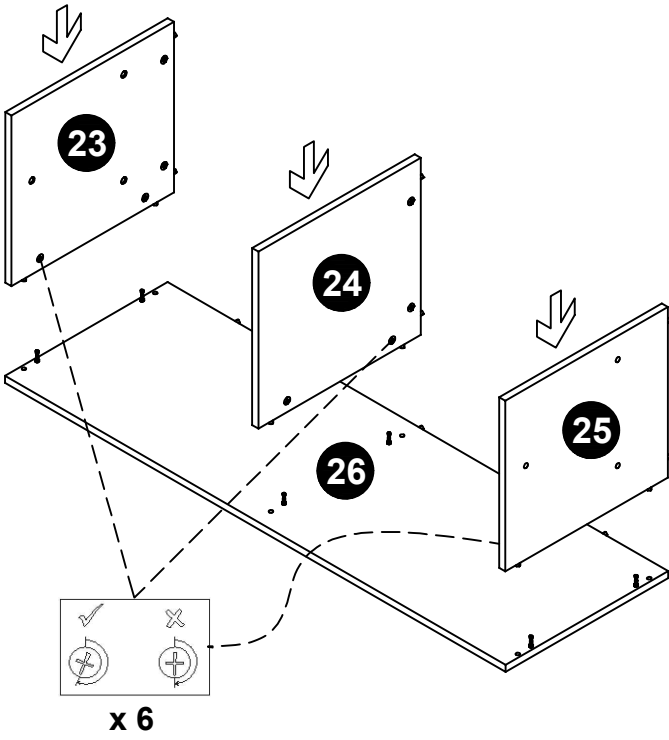
D x 39



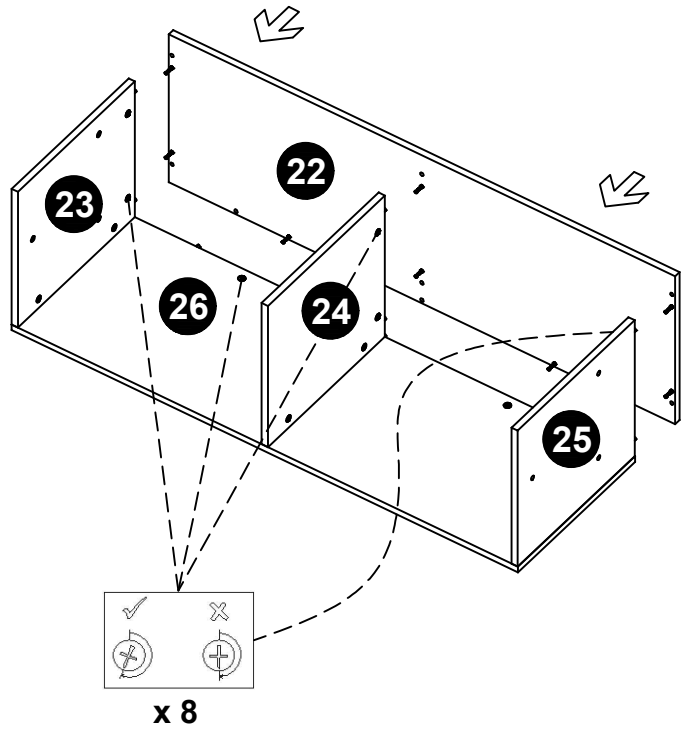
**WHEN FITTING CAMS**  
ENSURE STARTING POSITION IS CORRECT  
BEFORE YOU INSERT CONNECTING BOLT  
TURN CLOCKWISE UNTIL SECURE



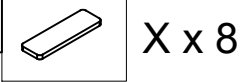
9



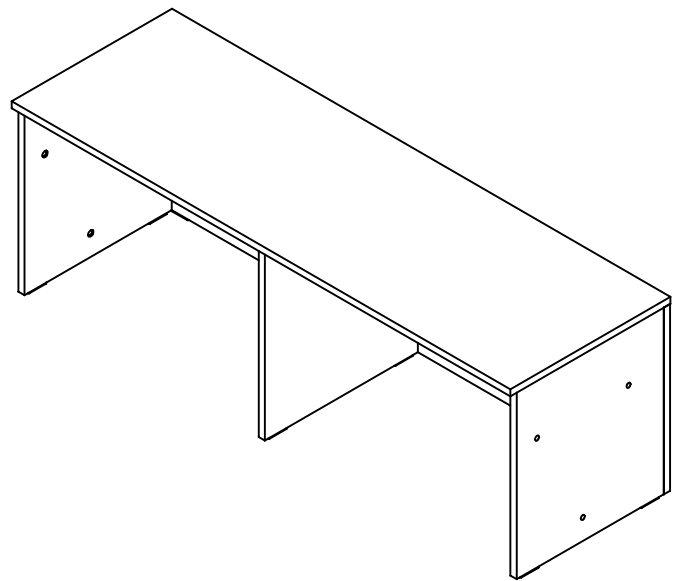
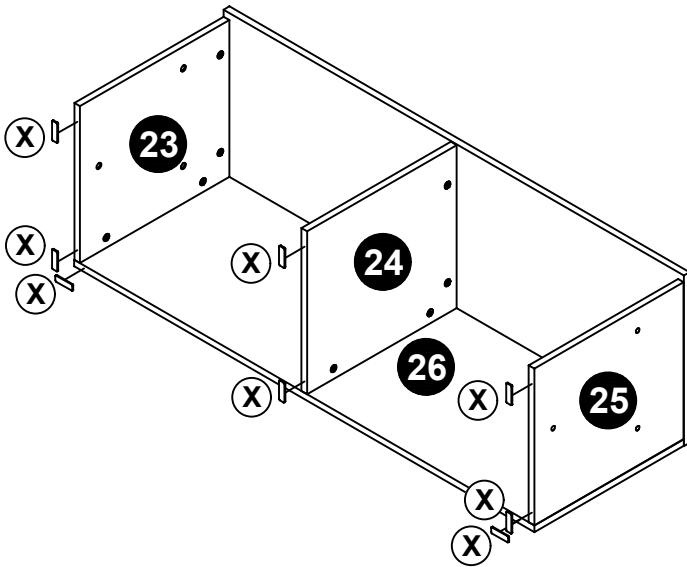
10



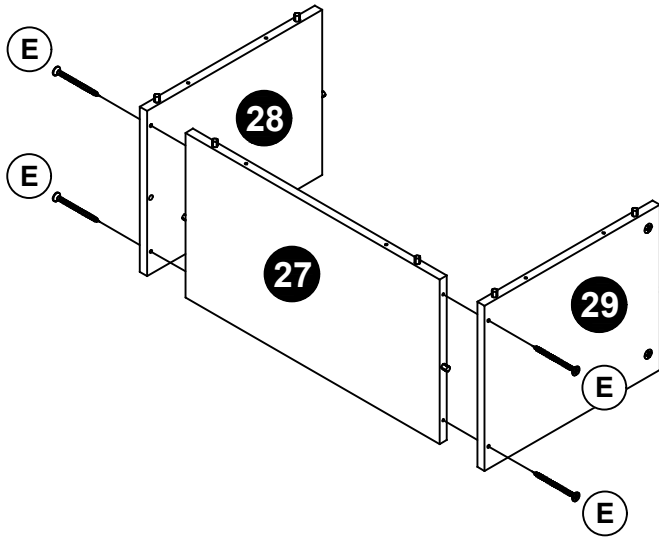
11



12

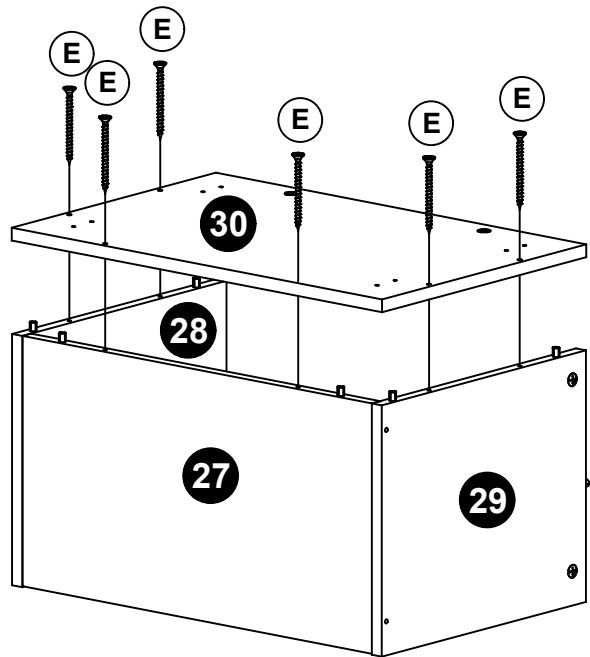


13 E x 8



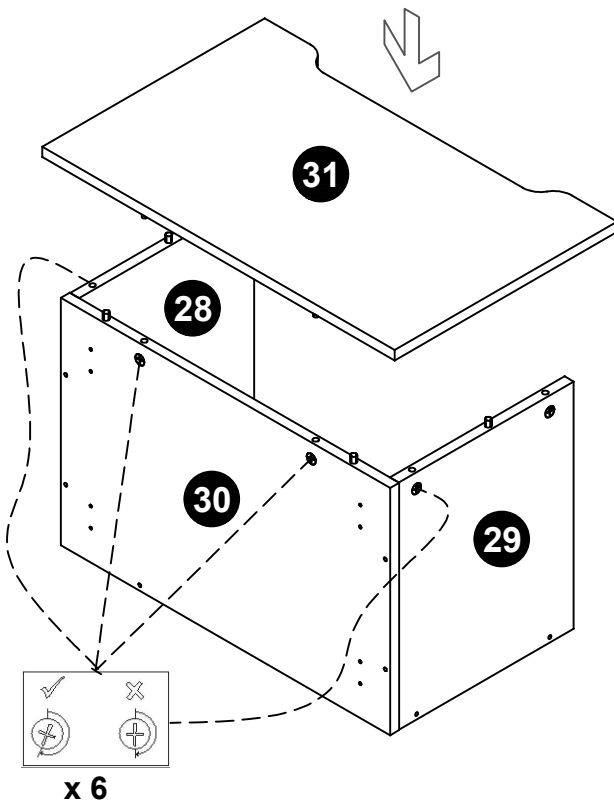
Do This Step 2 Times

14 E x 12



Do This Step 2 Times

15

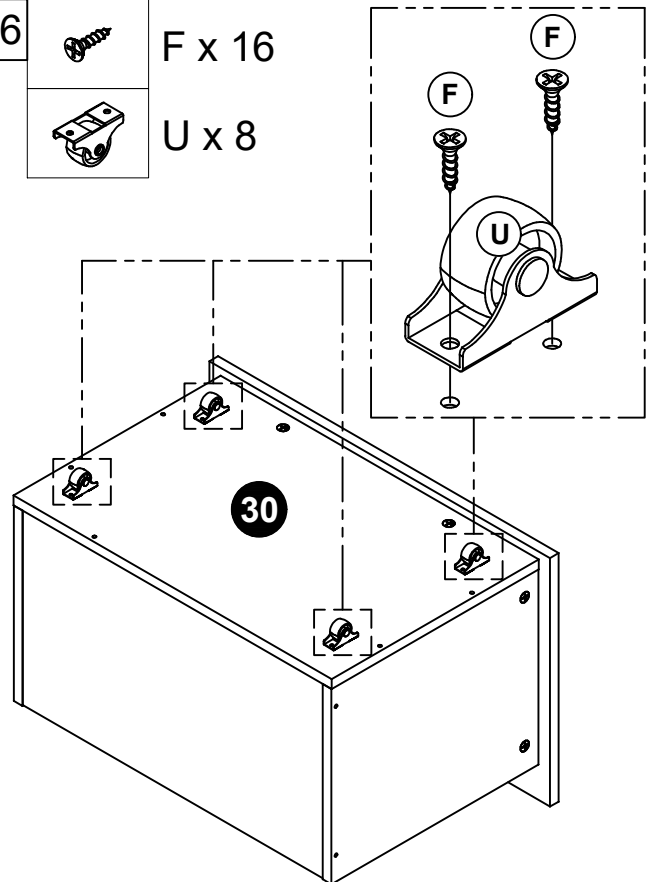


Do This Step 2 Times

16

F x 16

U x 8



Do This Step 2 Times

17



B x 18



X x 8



C x 10



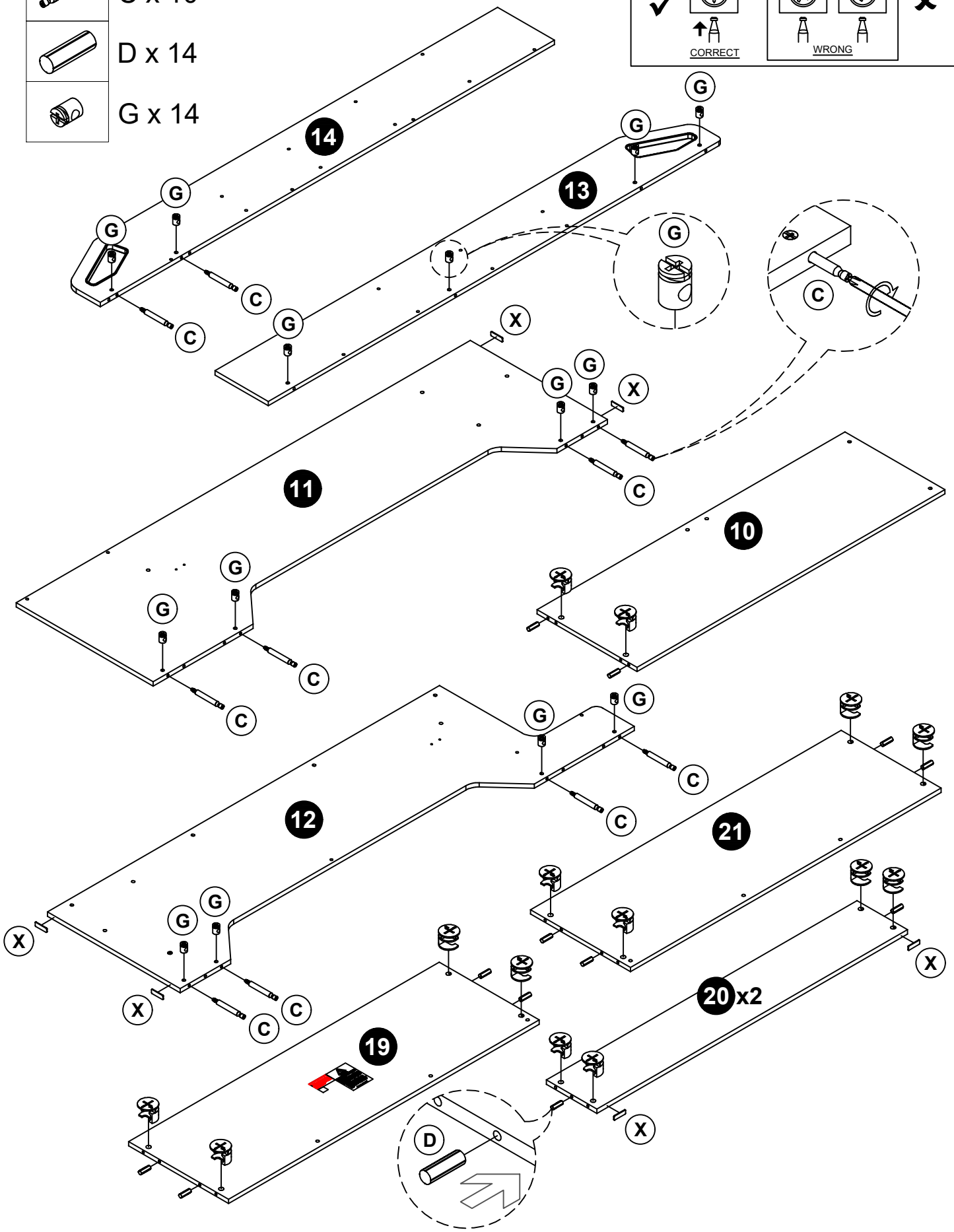
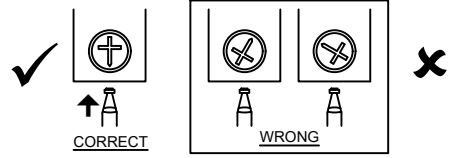
D x 14



G x 14

**WHEN FITTING CAMS**

ENSURE STARTING POSITION IS CORRECT  
BEFORE YOU INSERT CONNECTING BOLT  
TURN CLOCKWISE UNTIL SECURE

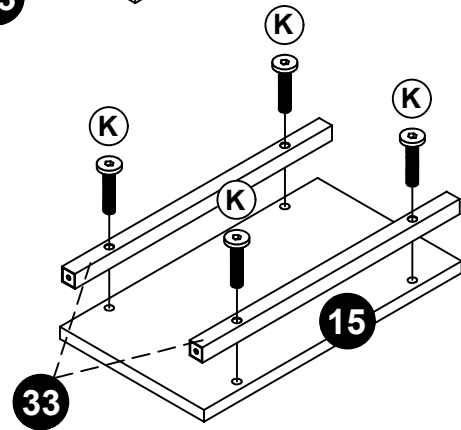
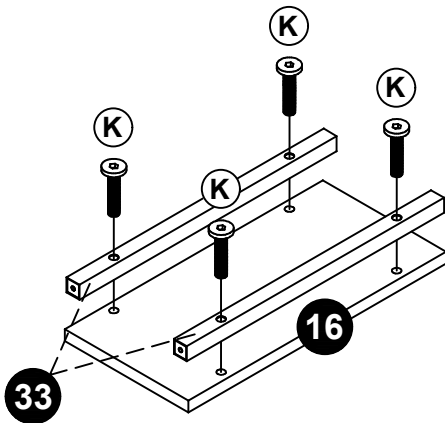
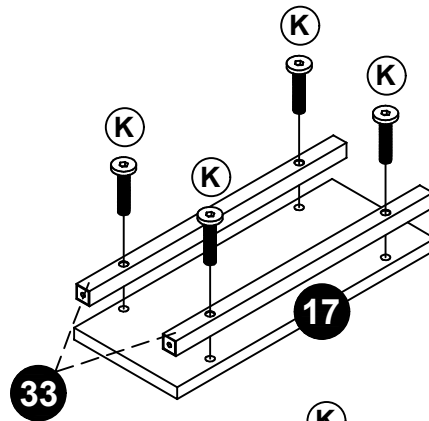
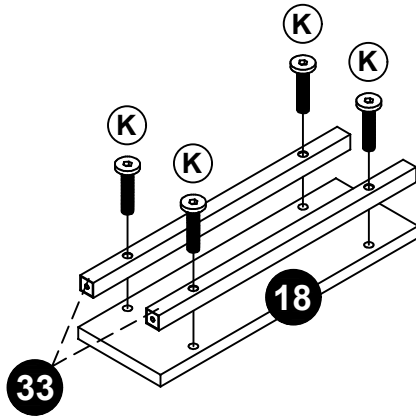


18



K x 16

**OPTION A**



19

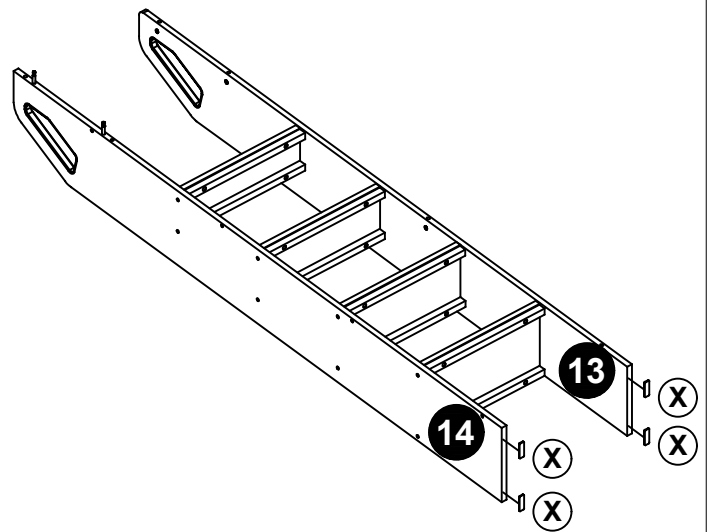
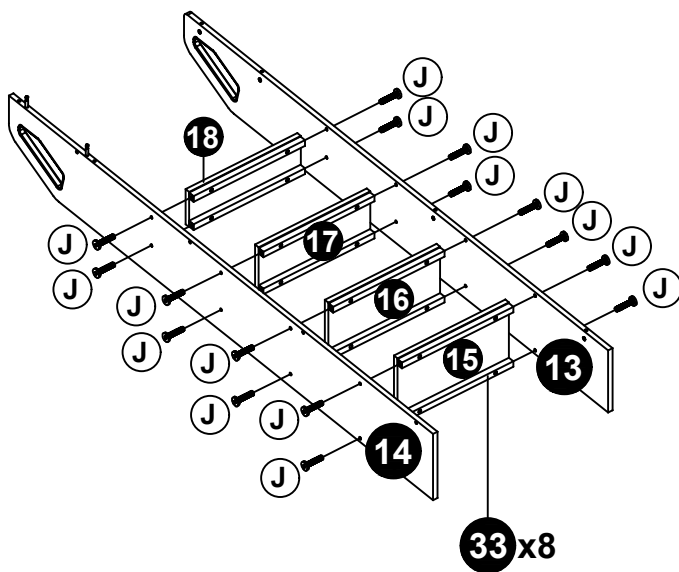


J x 16

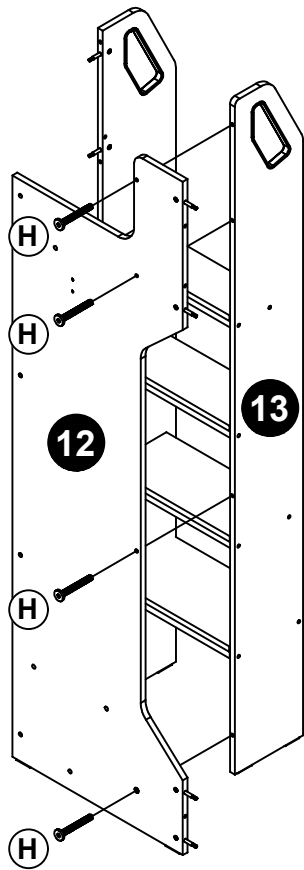
20



X x 4



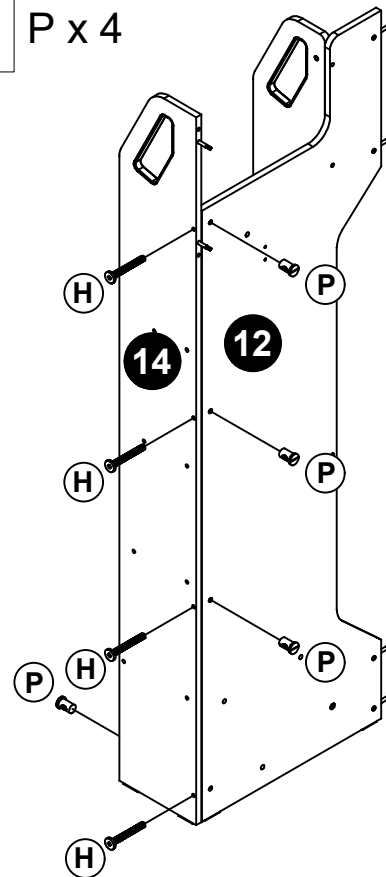
21 H x 4



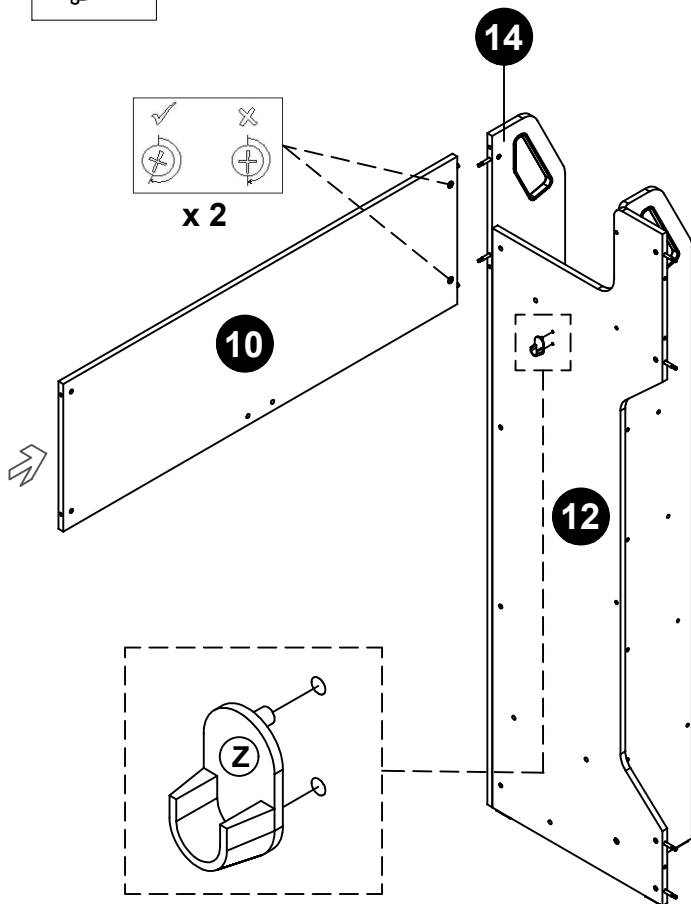
22 H x 4

OPTION A

P x 4

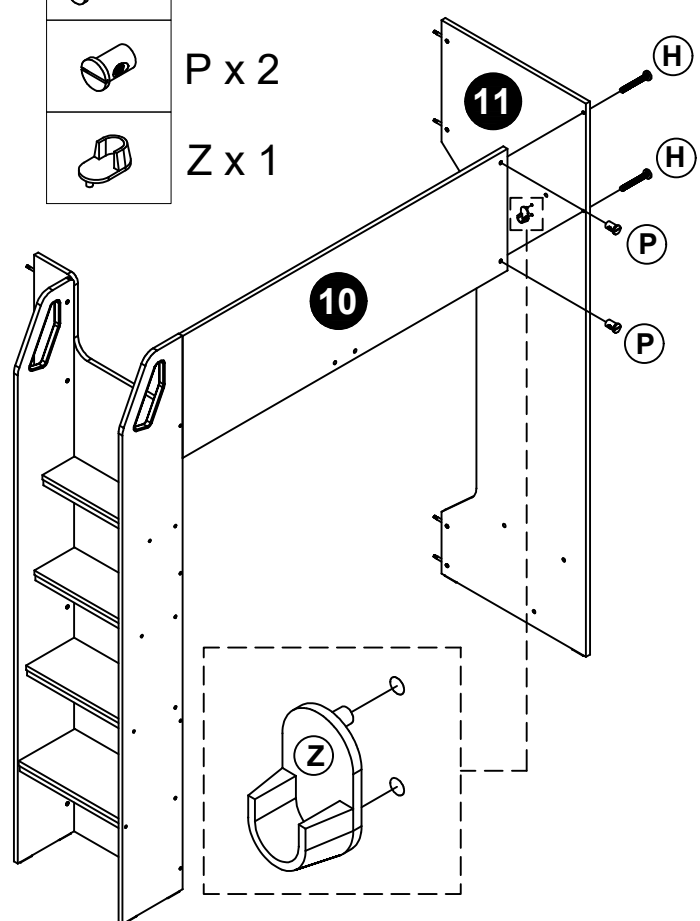


23 Z x 1

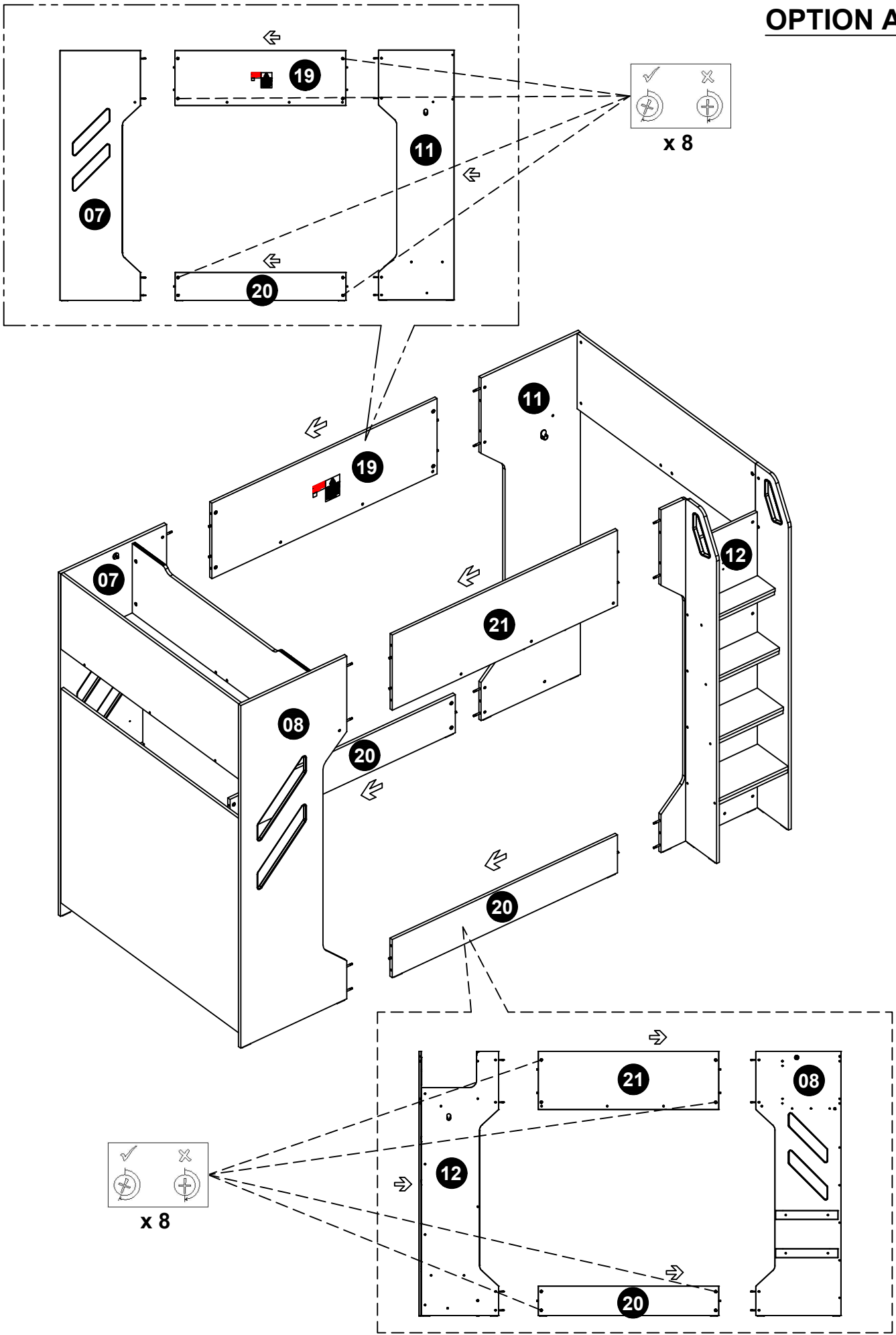


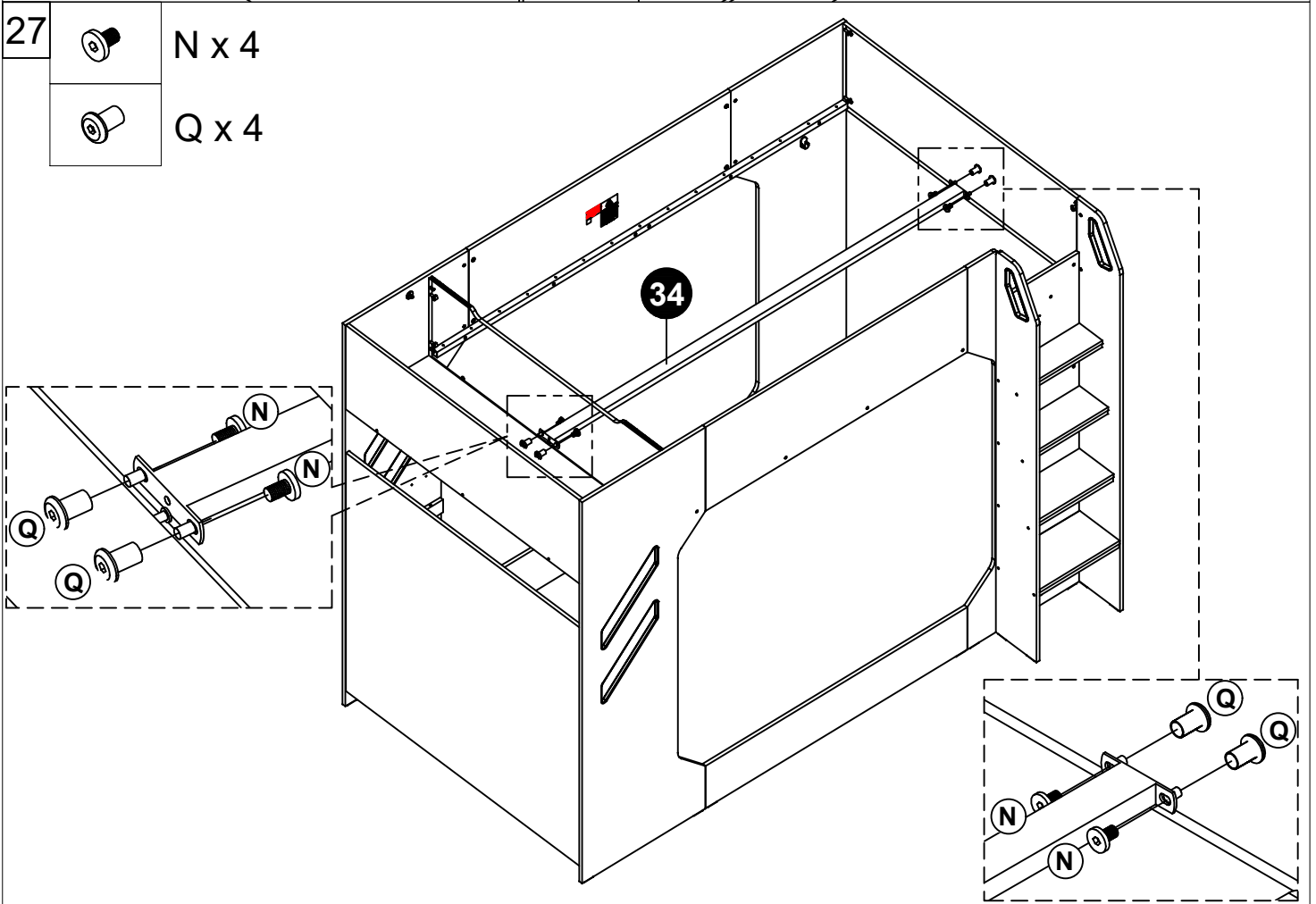
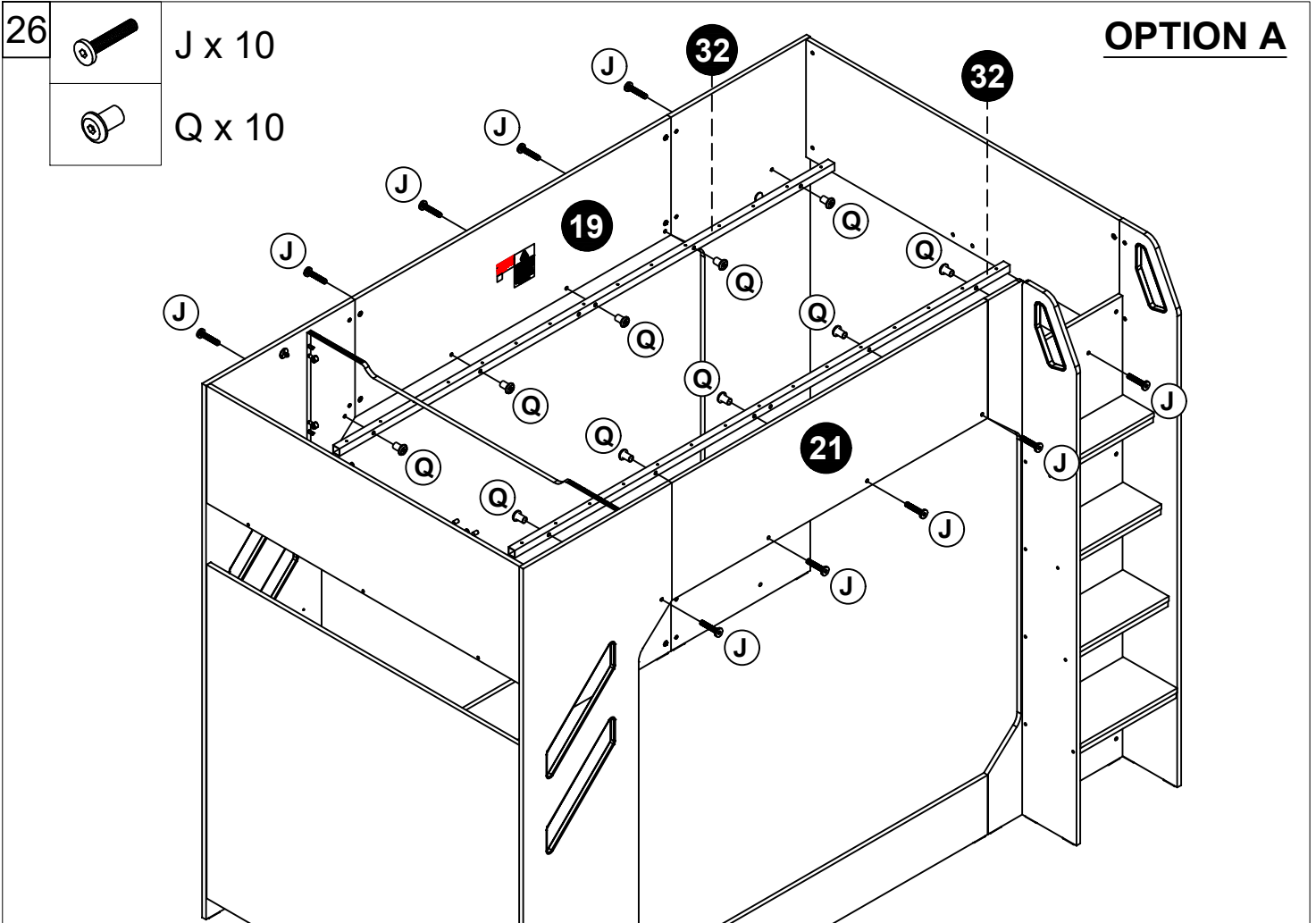
24 H x 2

P x 2  
Z x 1

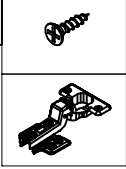








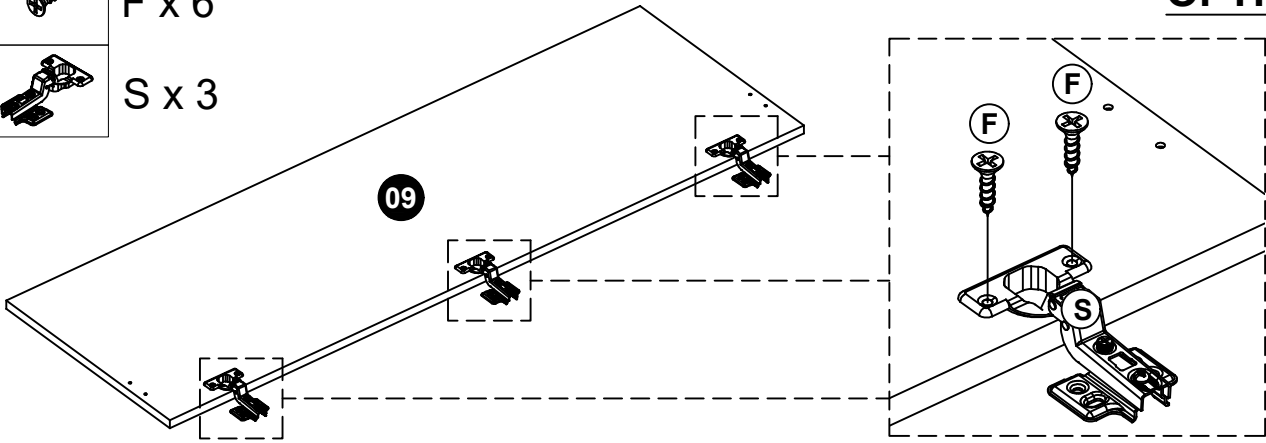
28



F x 6

S x 3

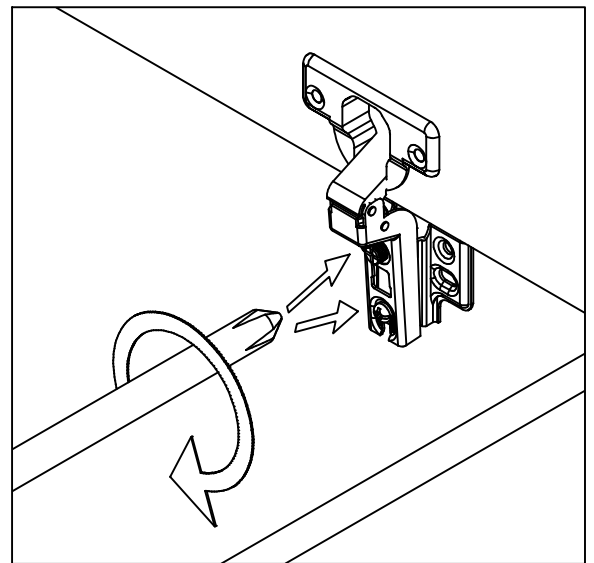
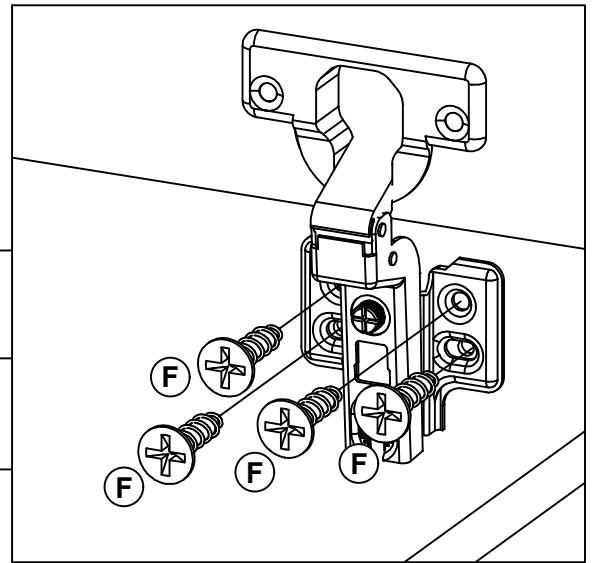
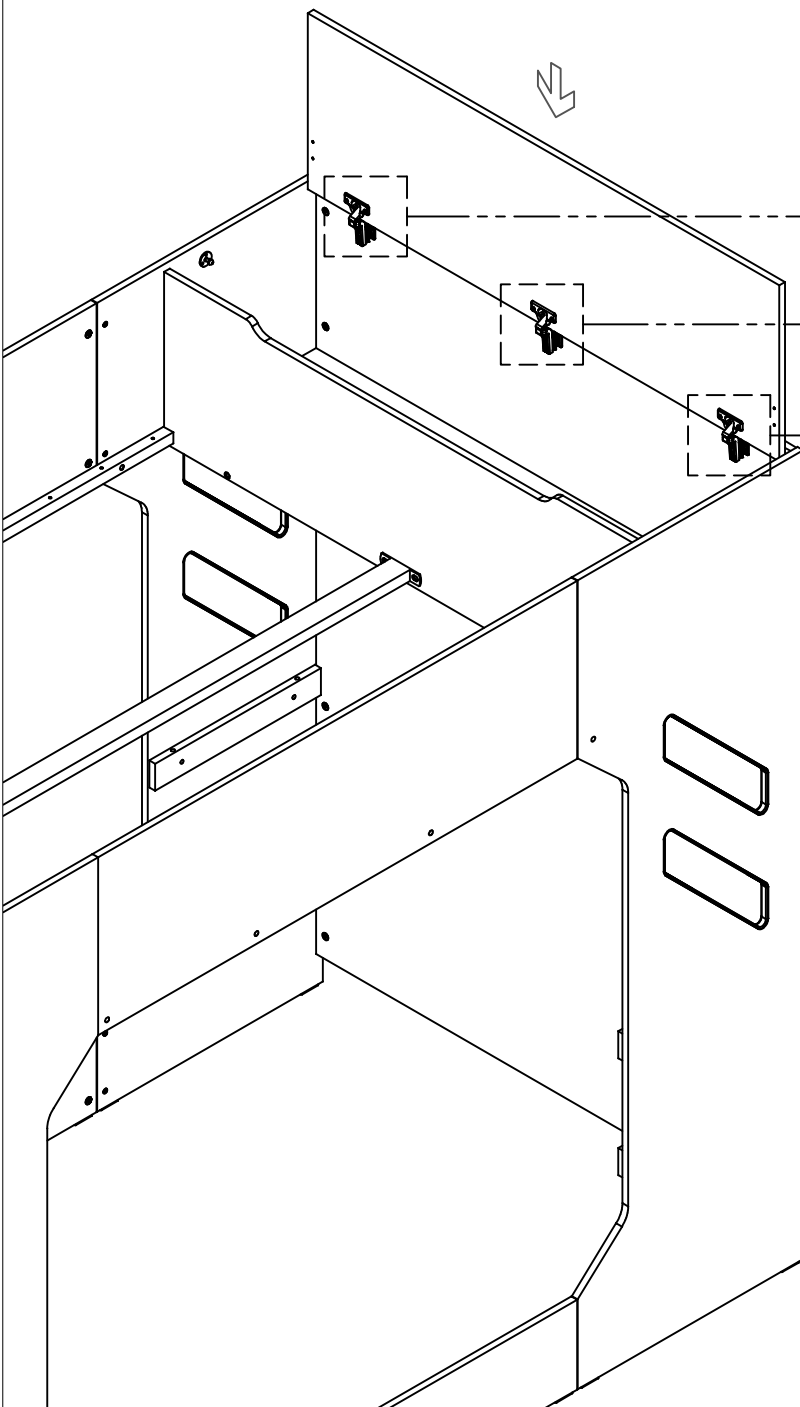
**OPTION A**



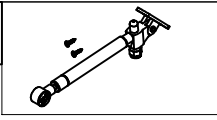
29



F x 12

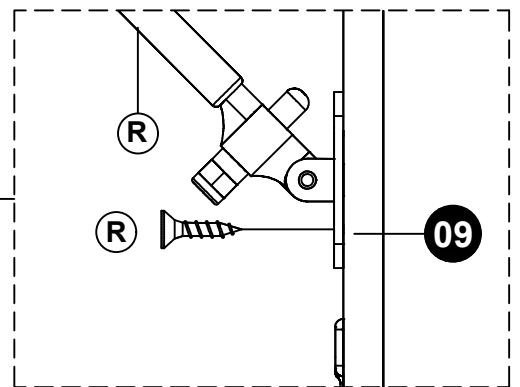
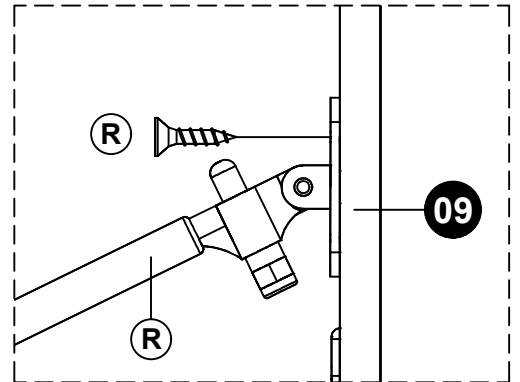
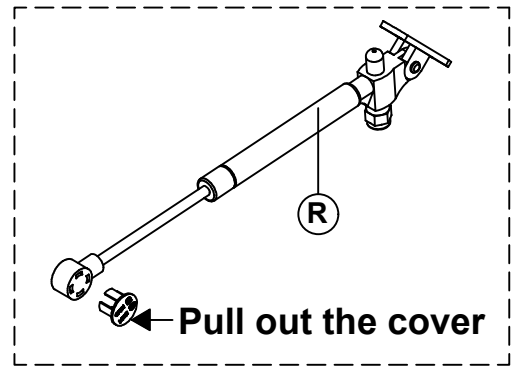
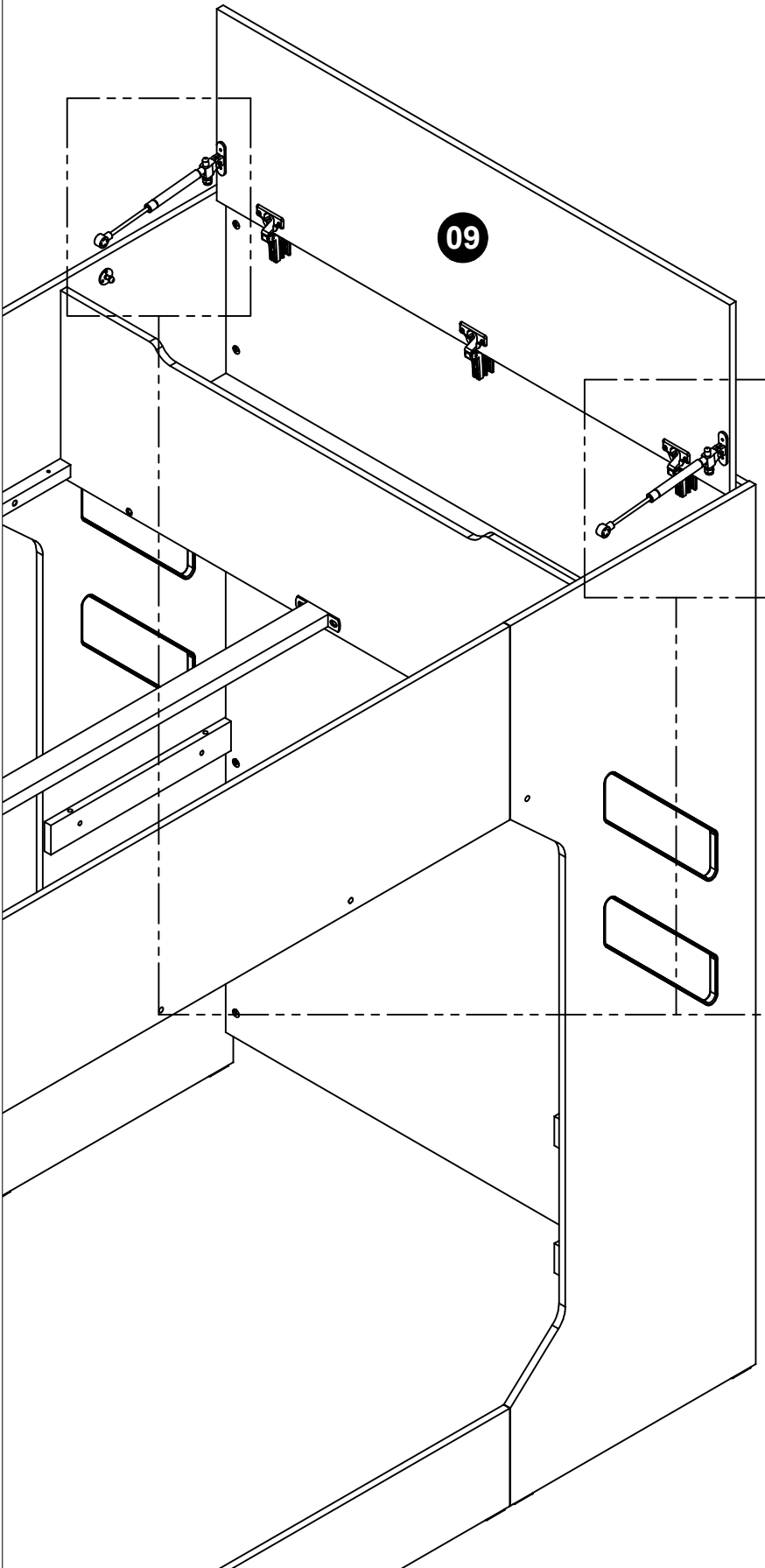


30



R x 2

**OPTION A**

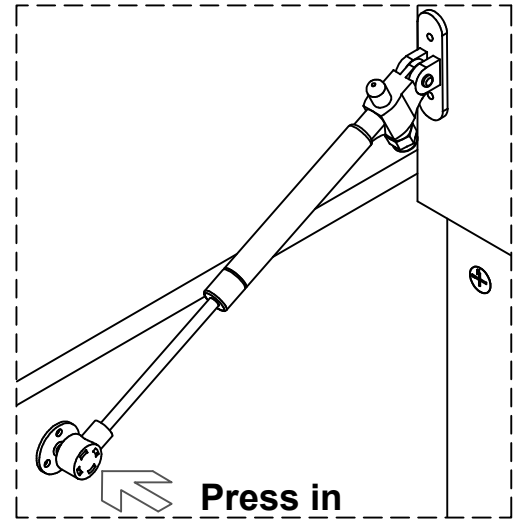
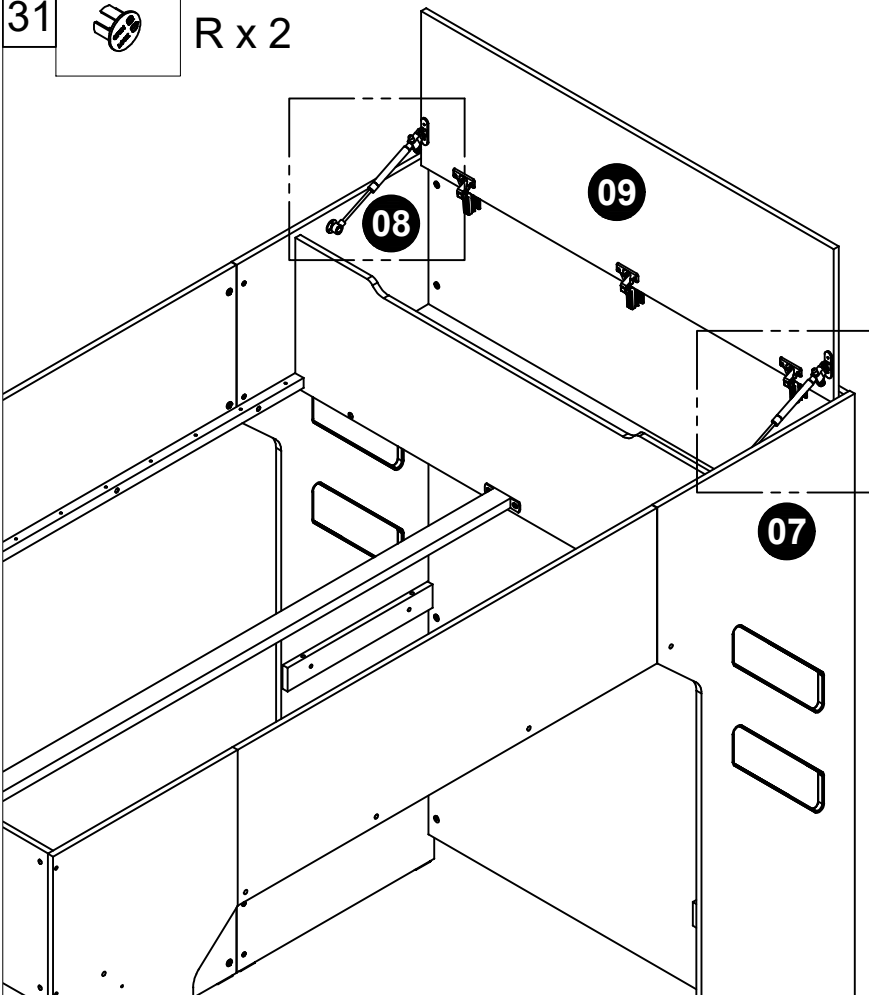


31

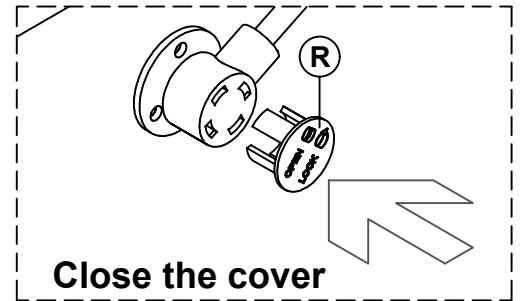


R x 2

OPTION A



Press in

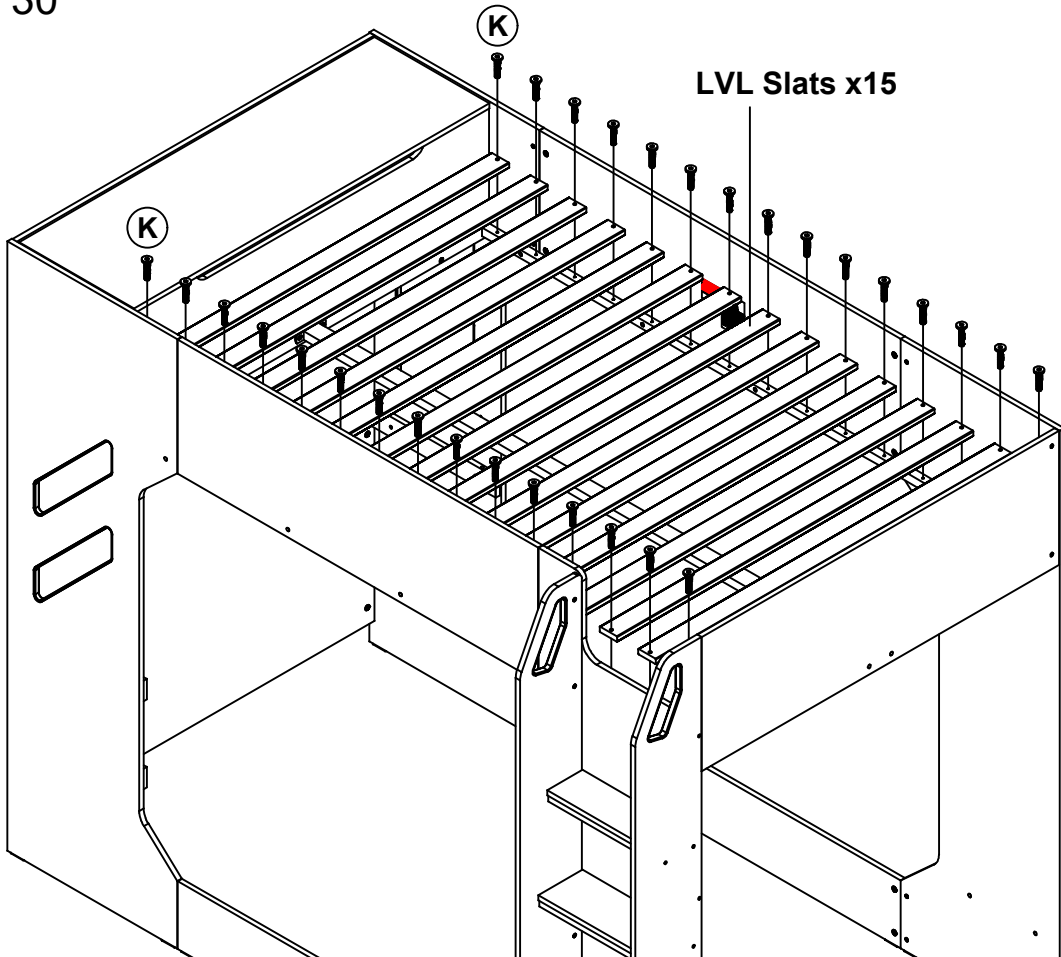


Close the cover

32



K x 30



LVL Slats x15

33

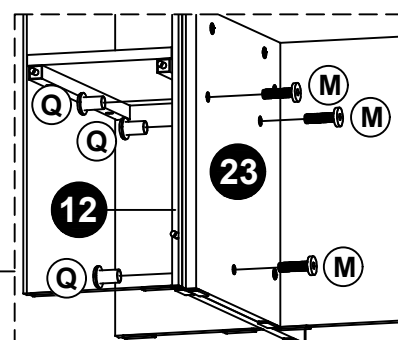
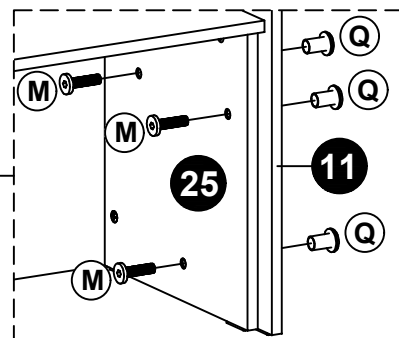
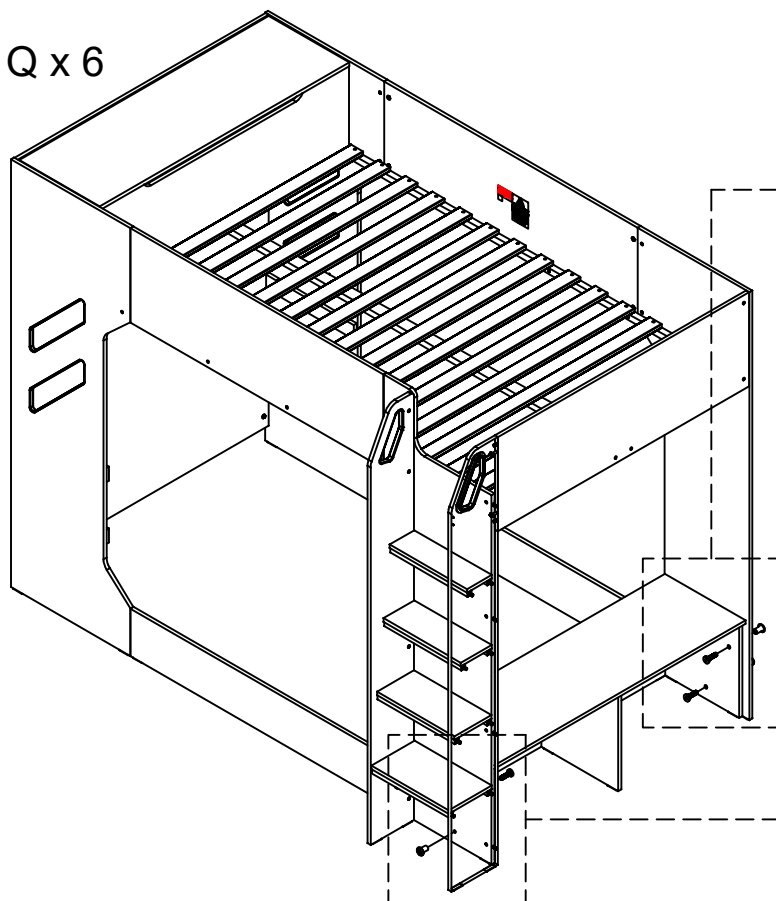


M x 6



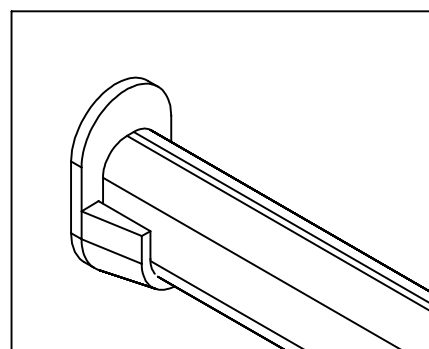
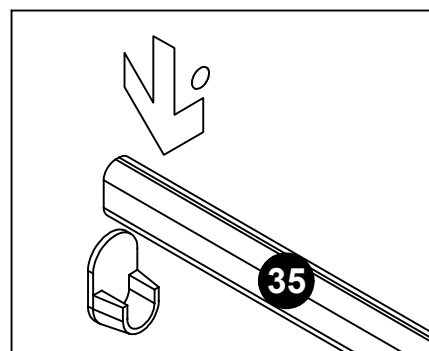
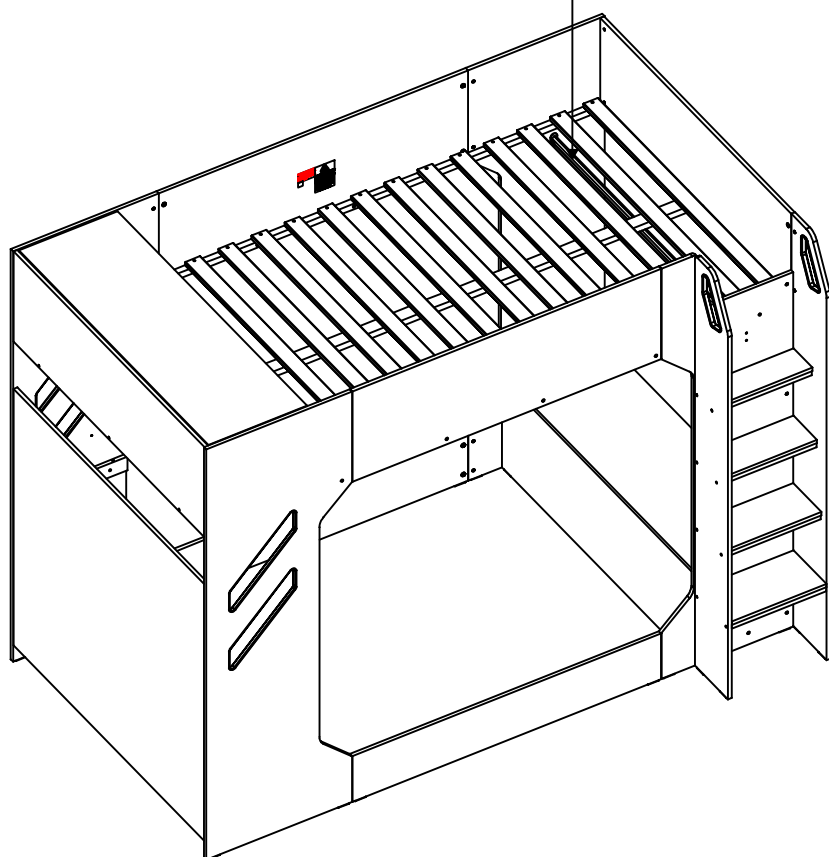
Q x 6

**OPTION A**



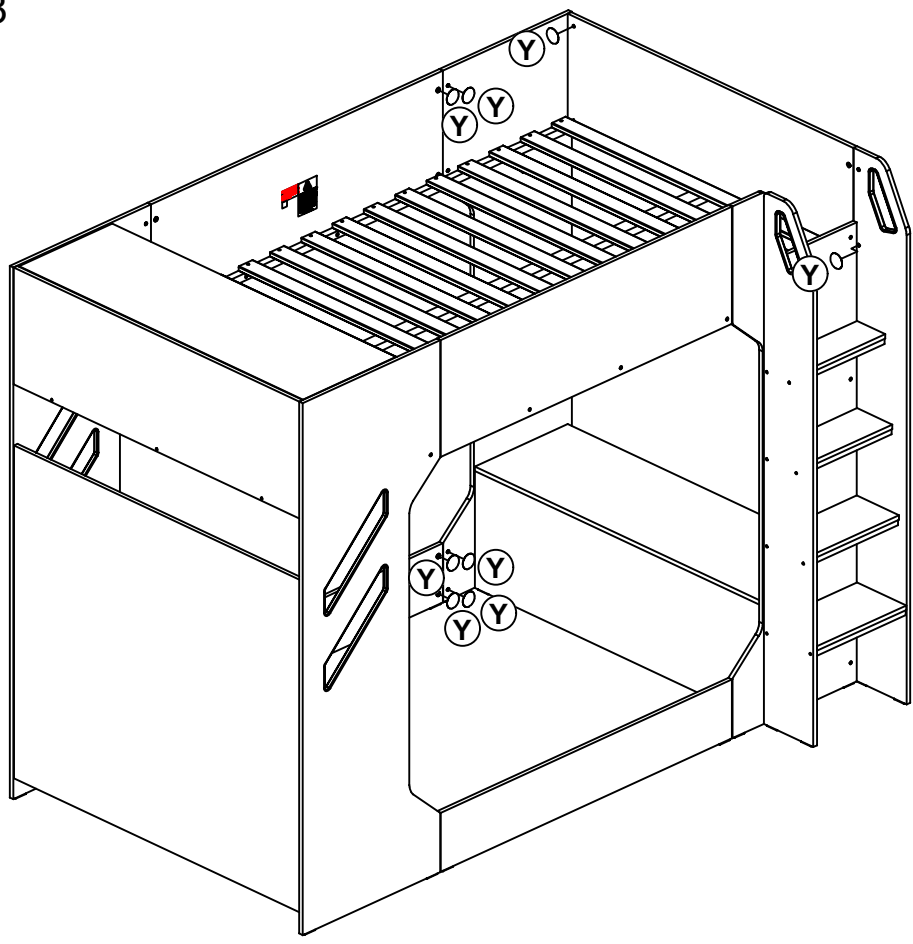
34

35

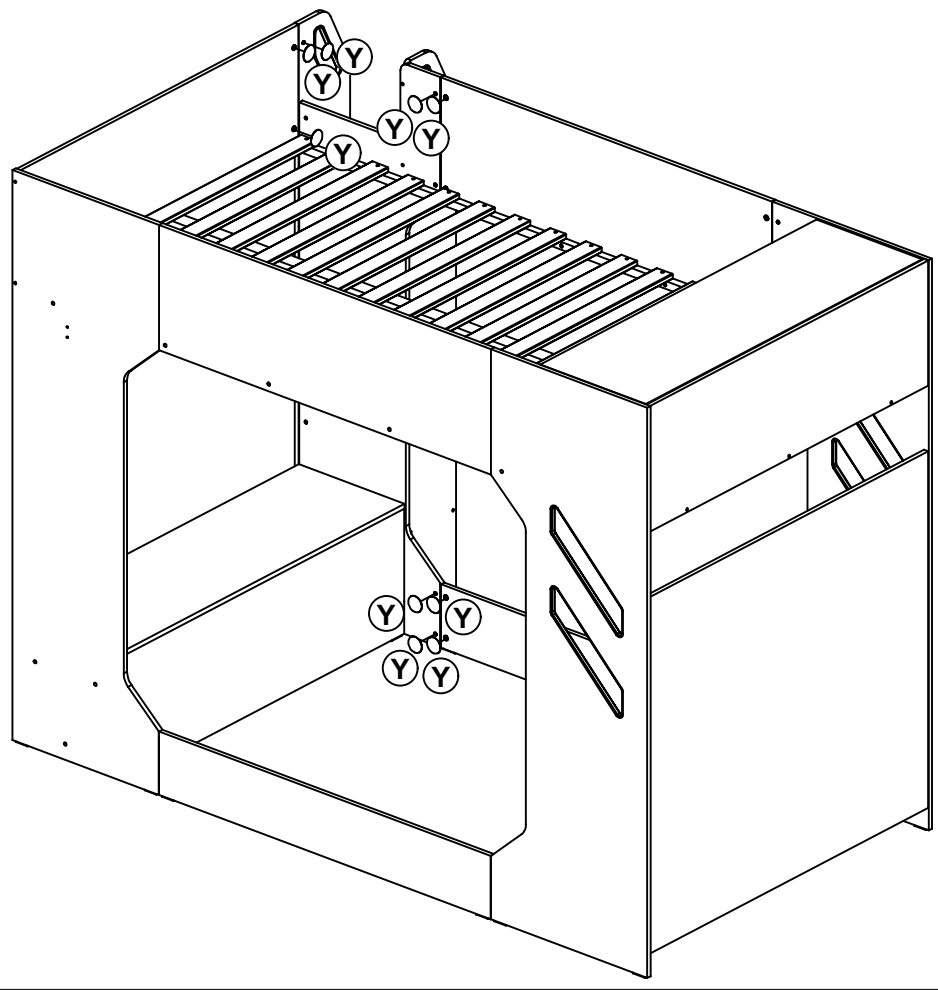


35 ○ Y x 8

**OPTION A**



36 ○ Y x 9

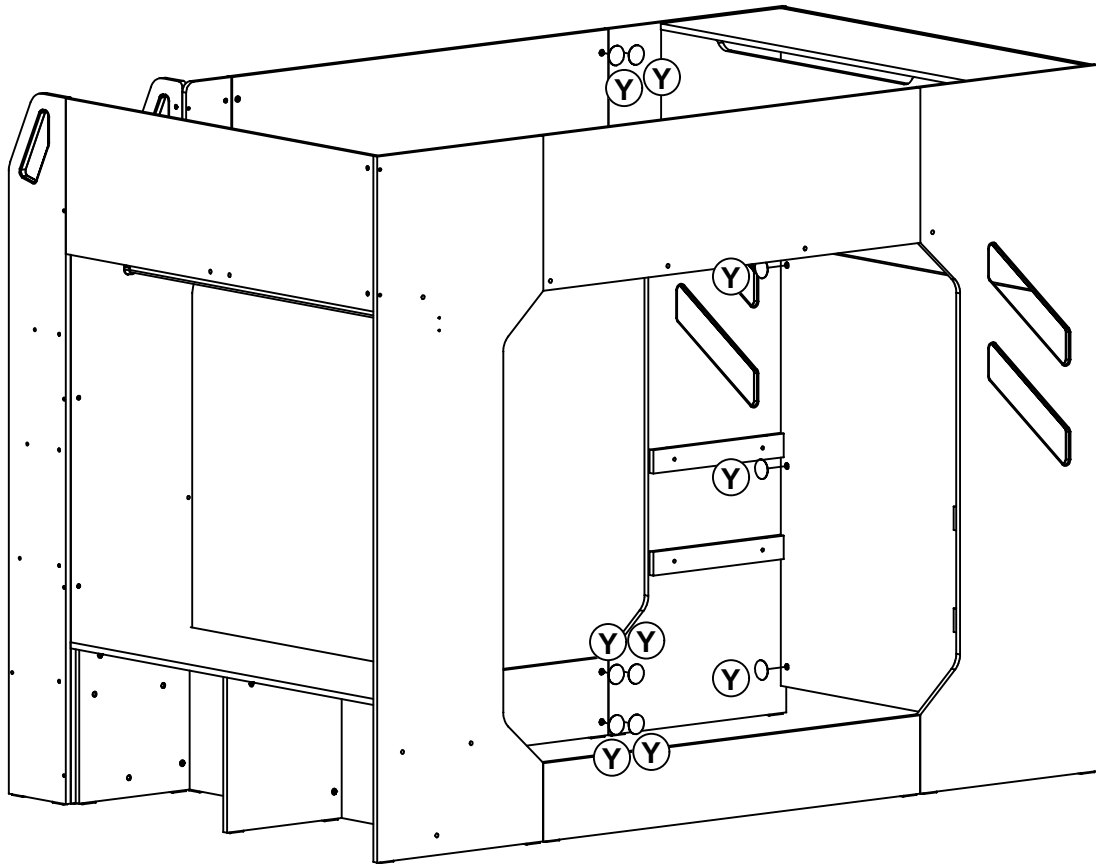


37



Y x 9

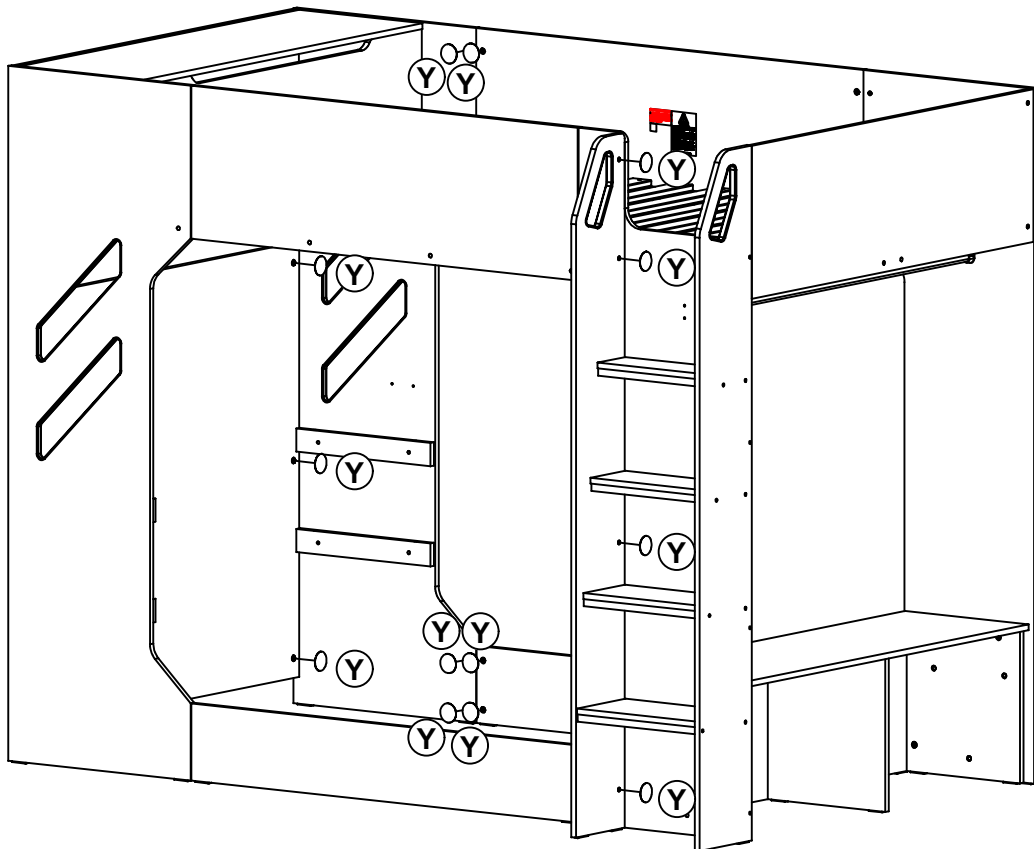
**OPTION A**



38



Y x 13



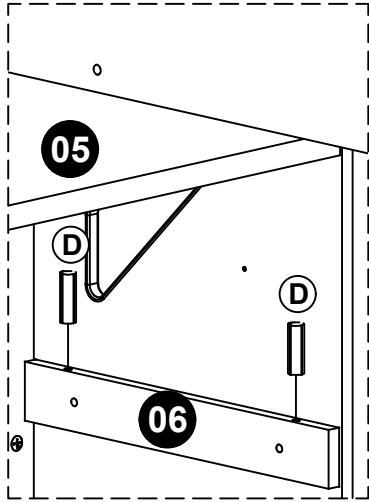
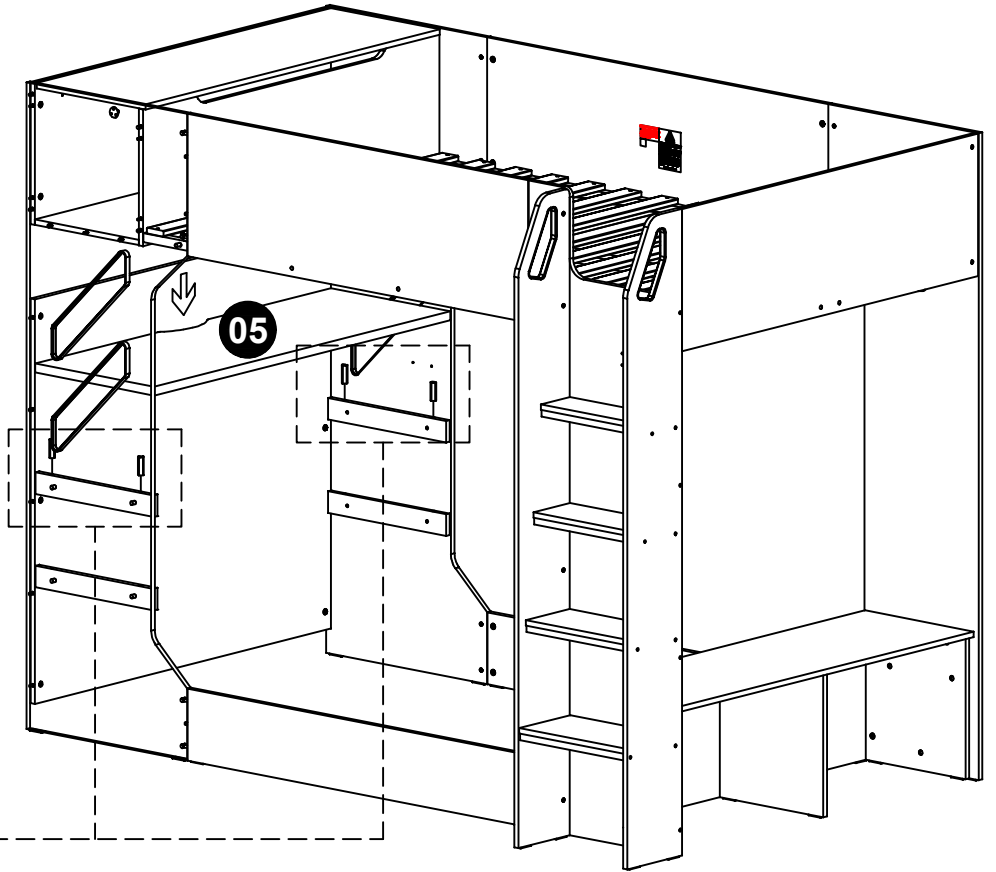


39



D x 4

**OPTION A**



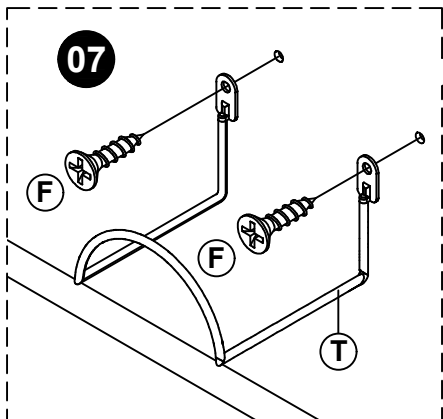
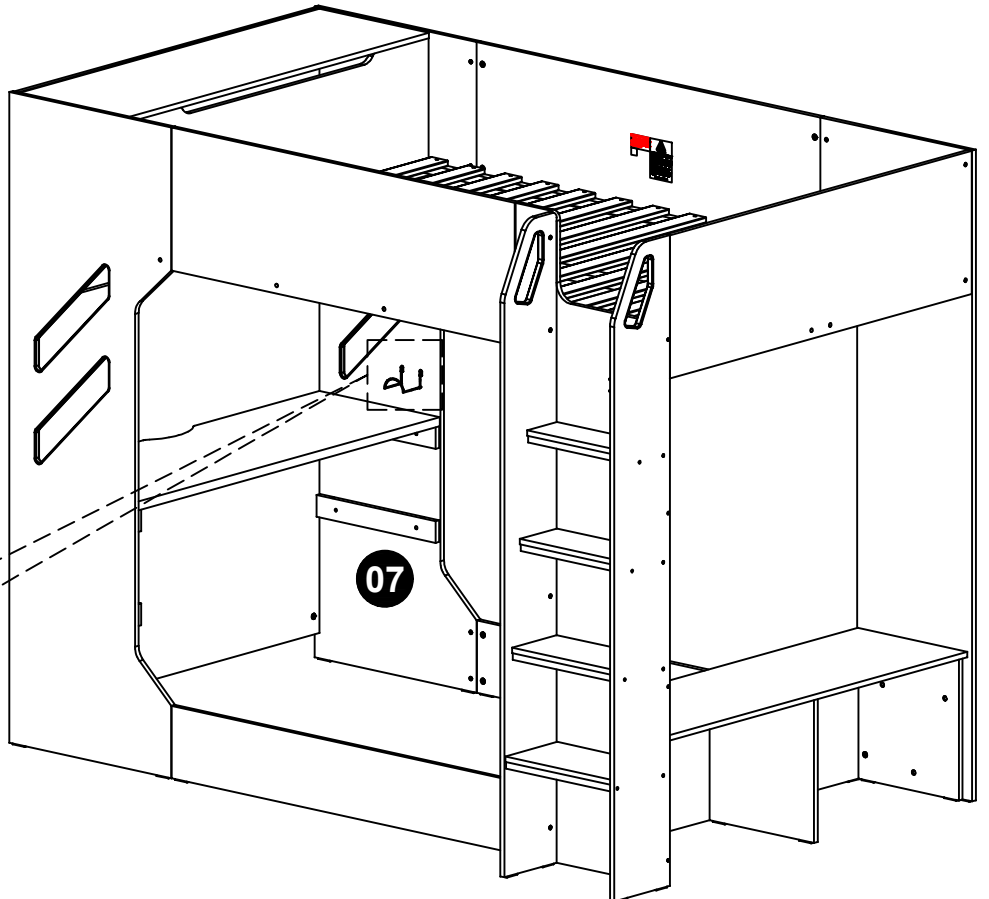
40






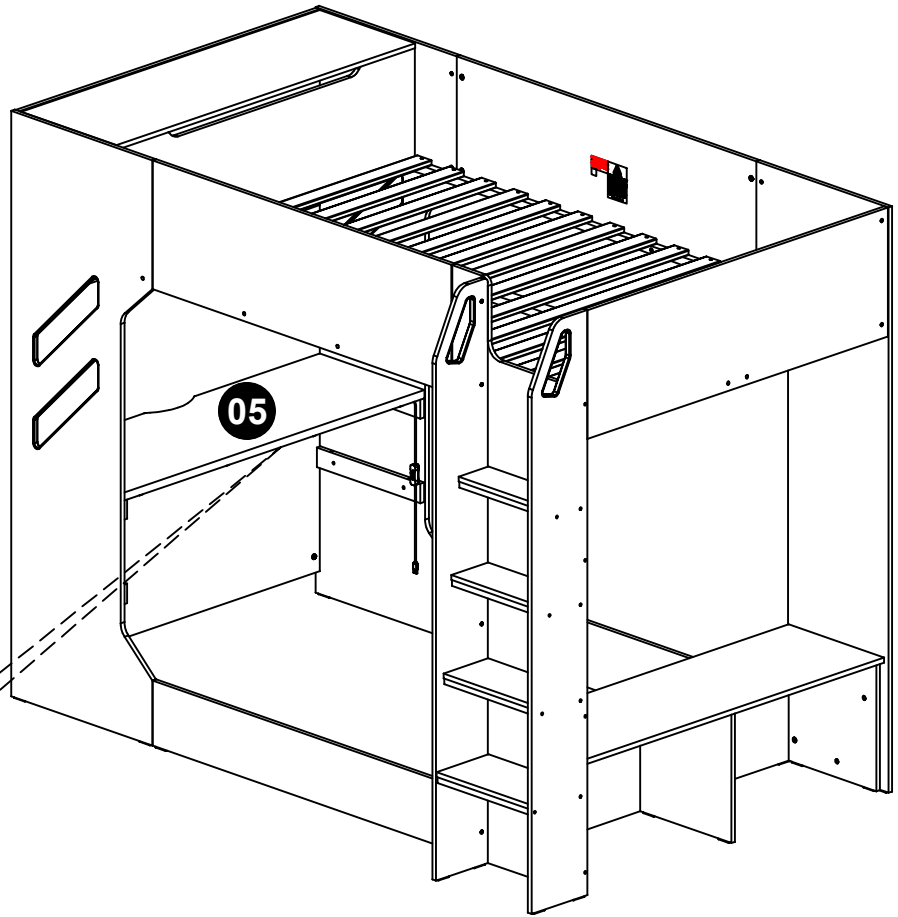
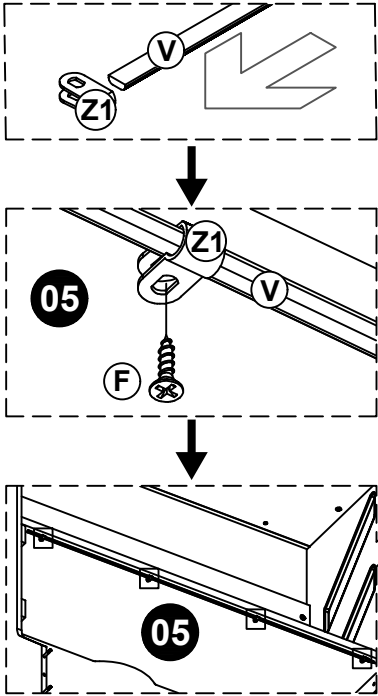
F x 2



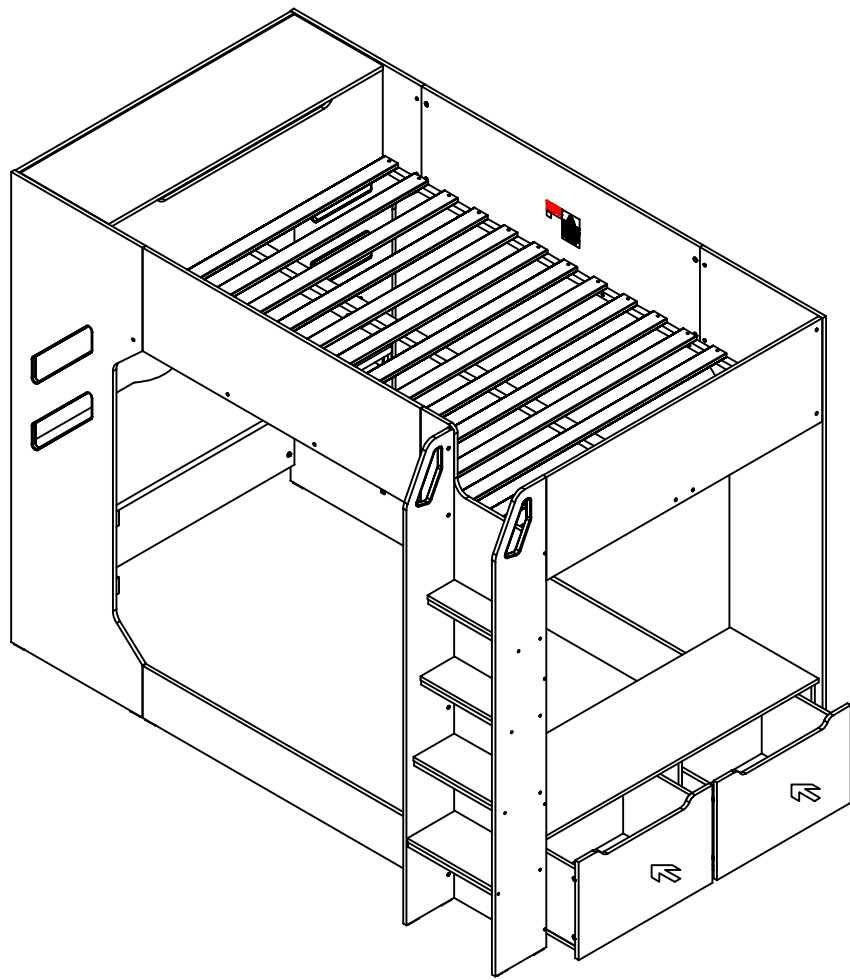
T x 1



- 41  F x 4
-  V x 1
-  Z1 x 4



42

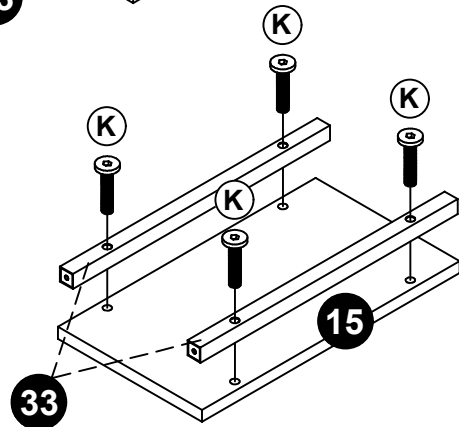
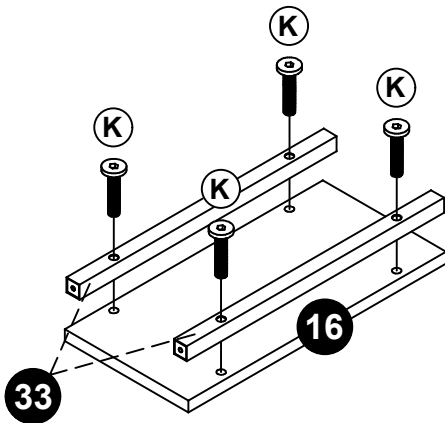
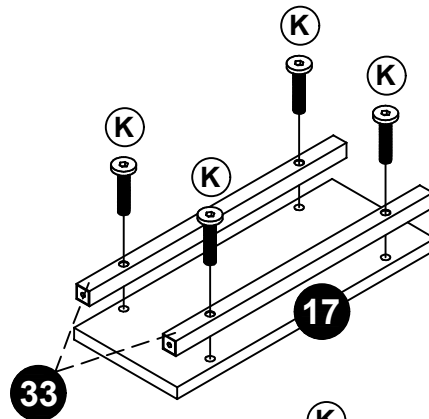
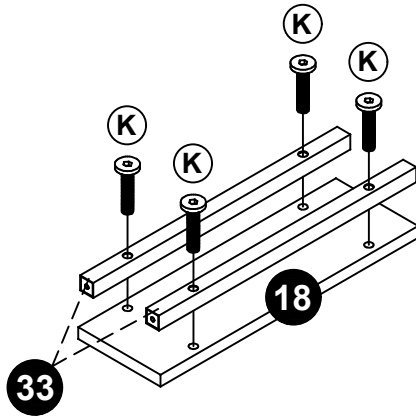


18



K x 16

**OPTION B**



19

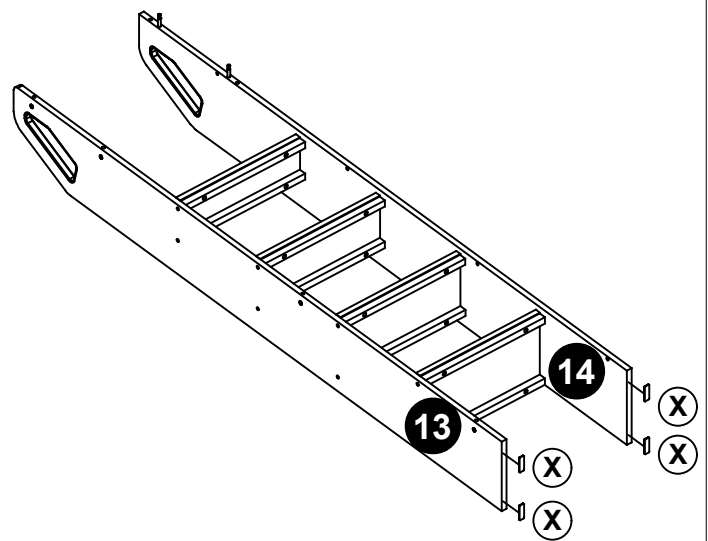
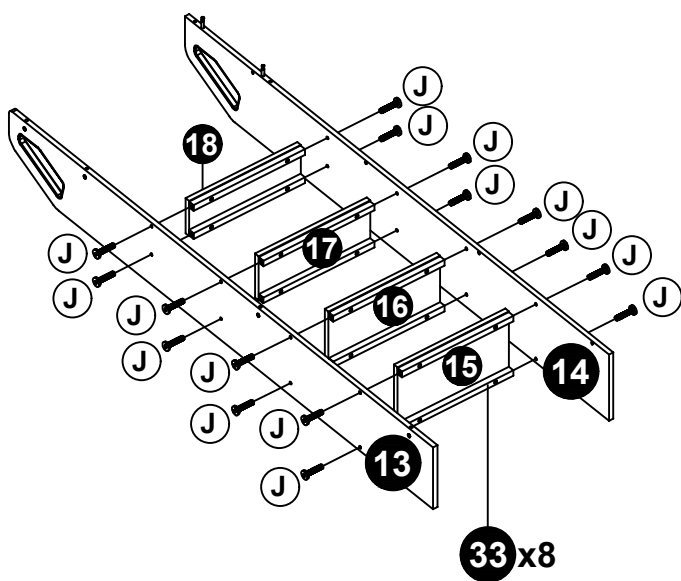


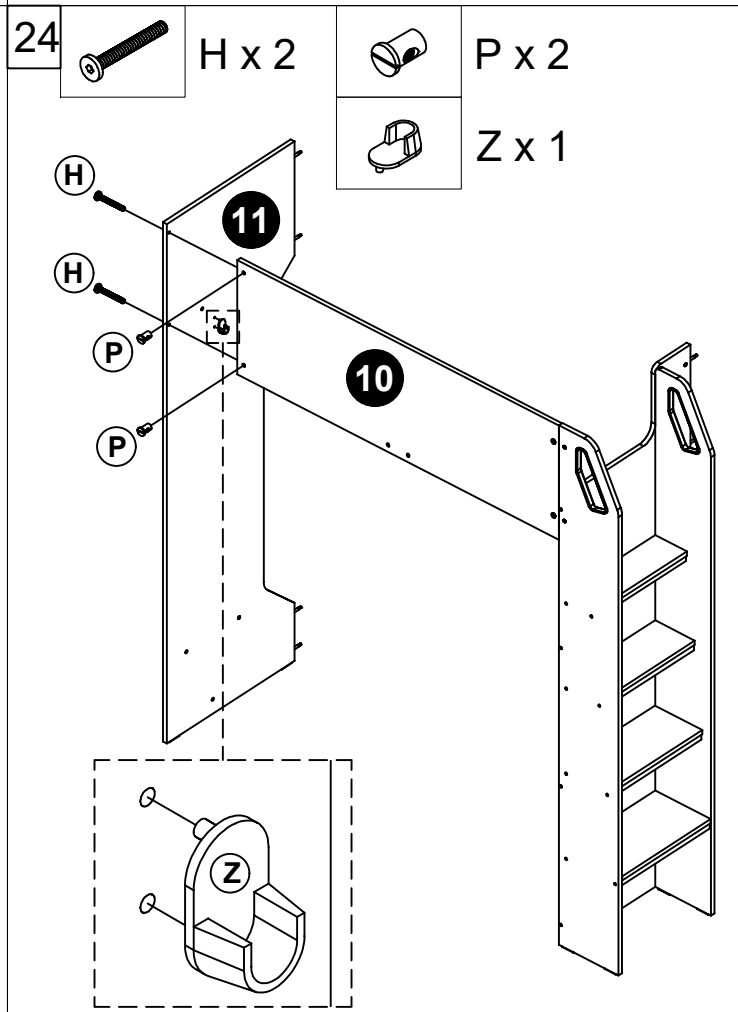
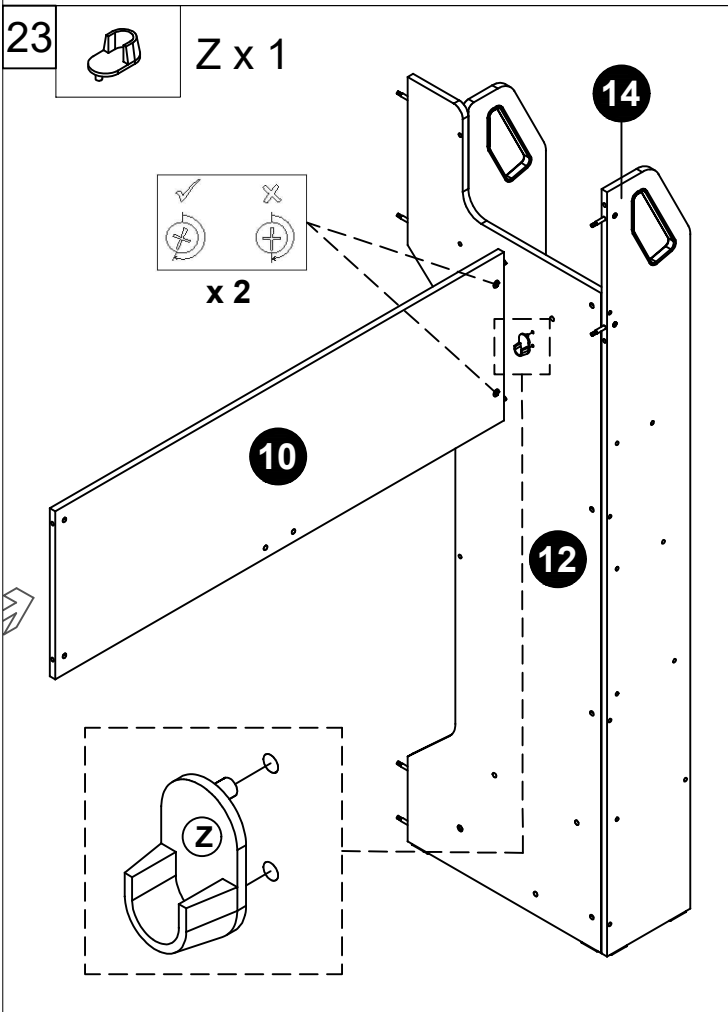
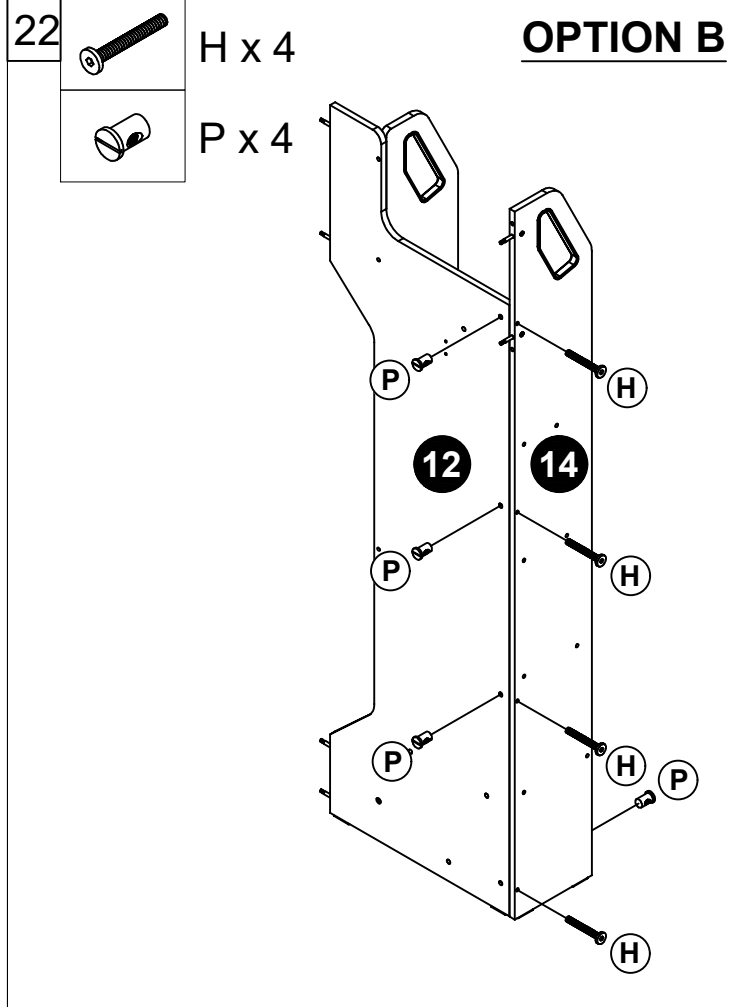
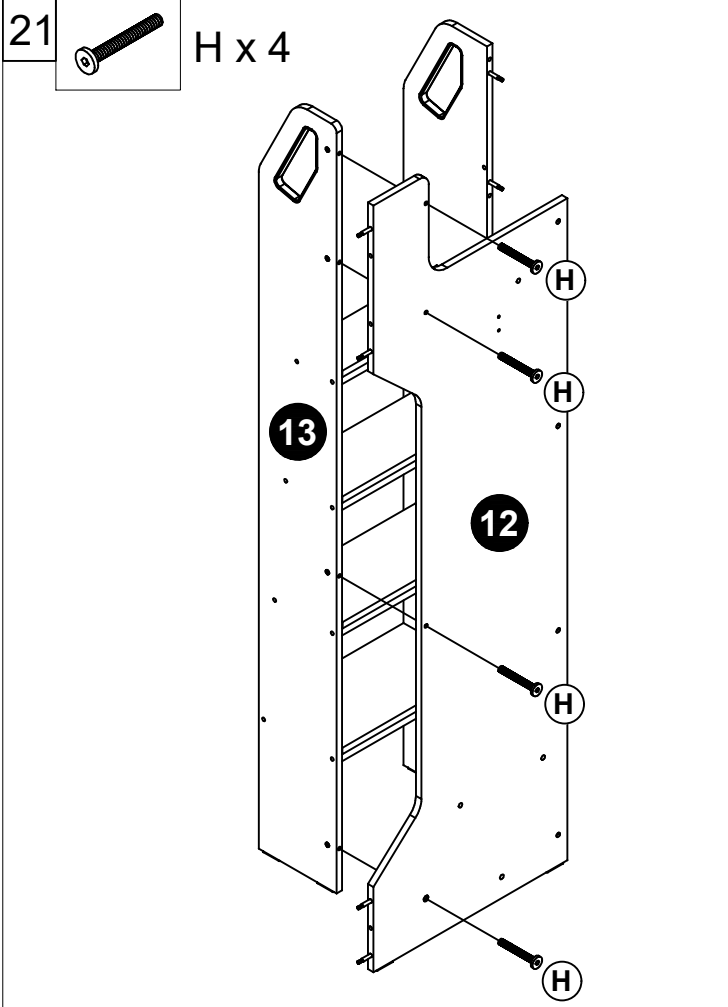
J x 16

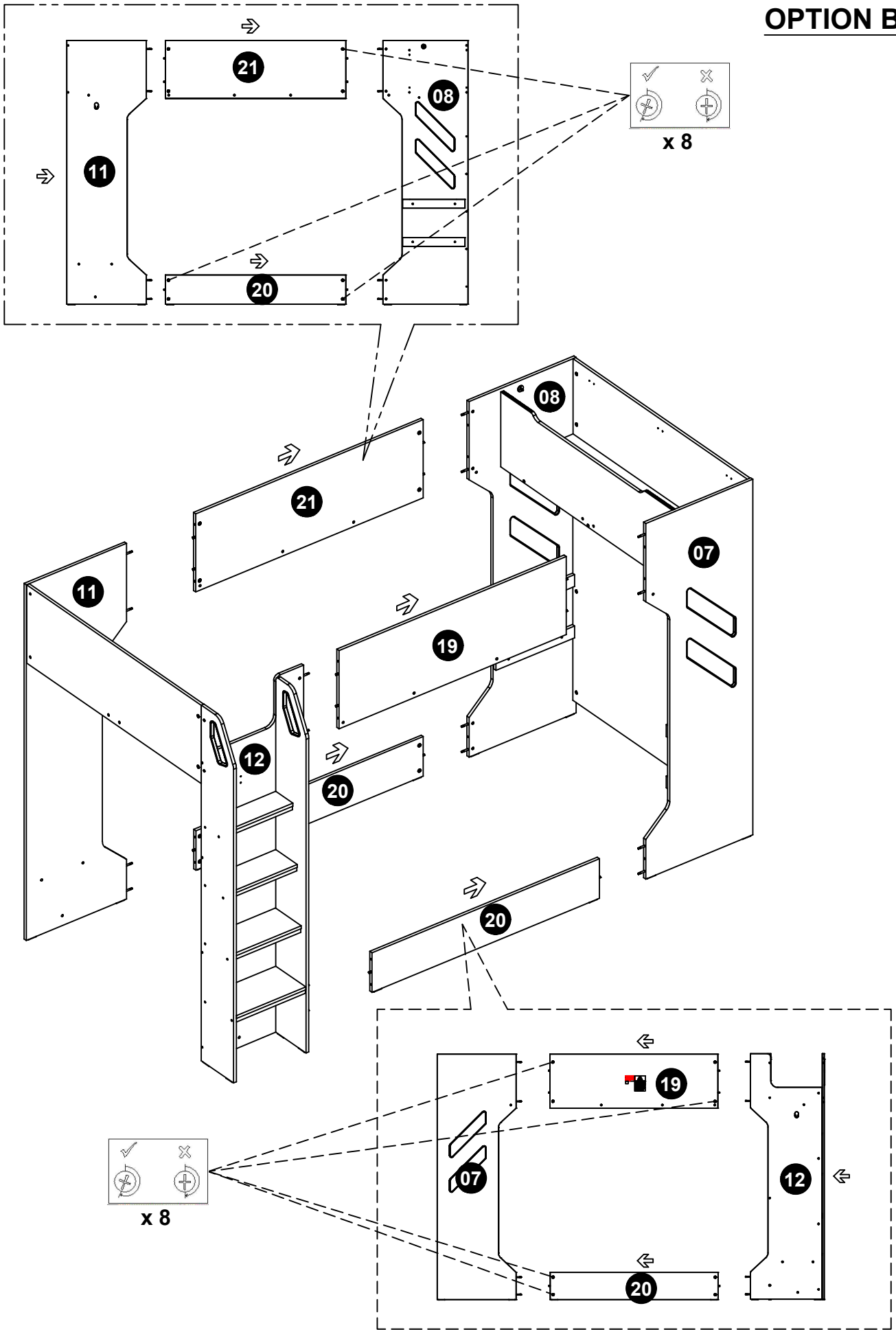
20



X x 4







26

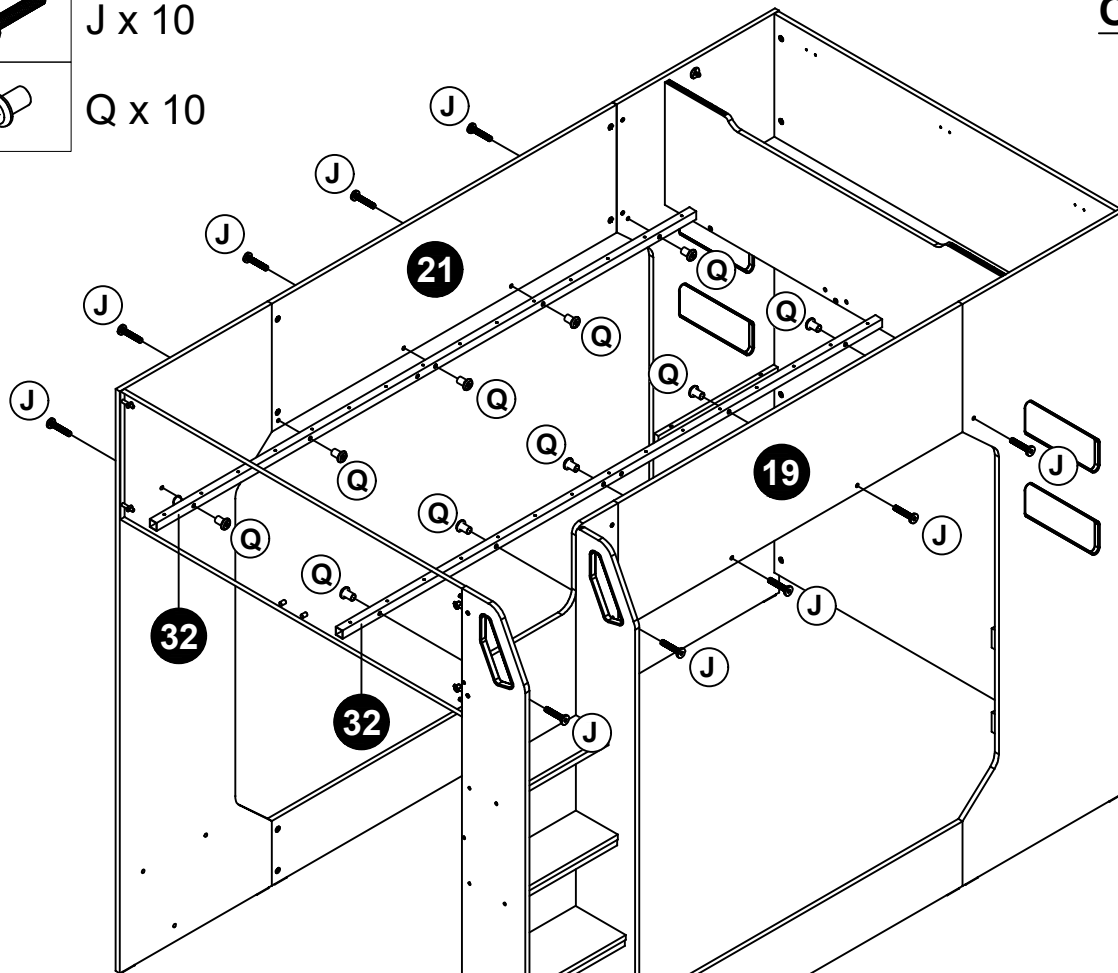


J x 10



Q x 10

**OPTION B**



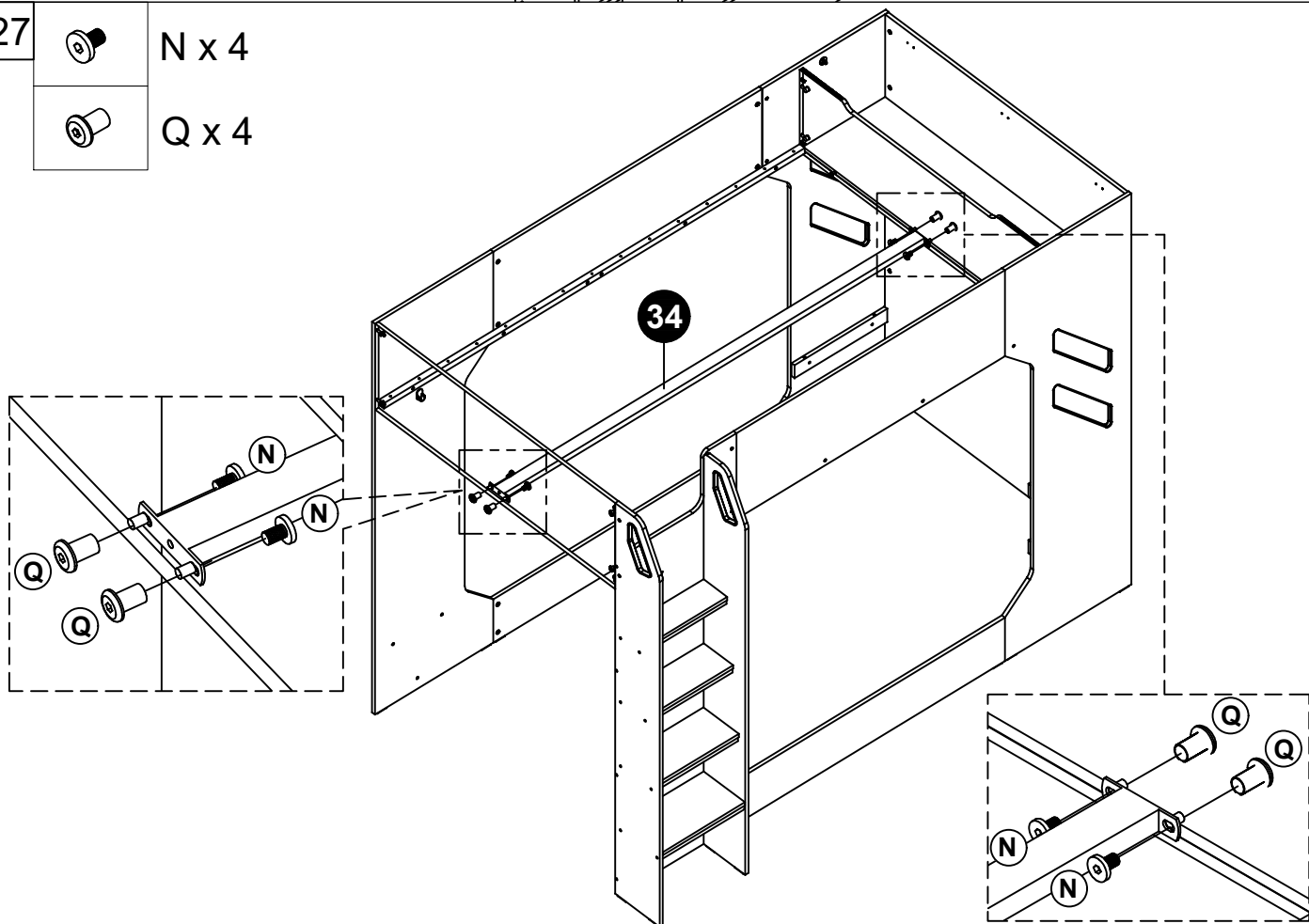
27



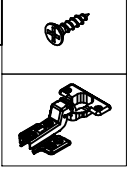
N x 4



Q x 4



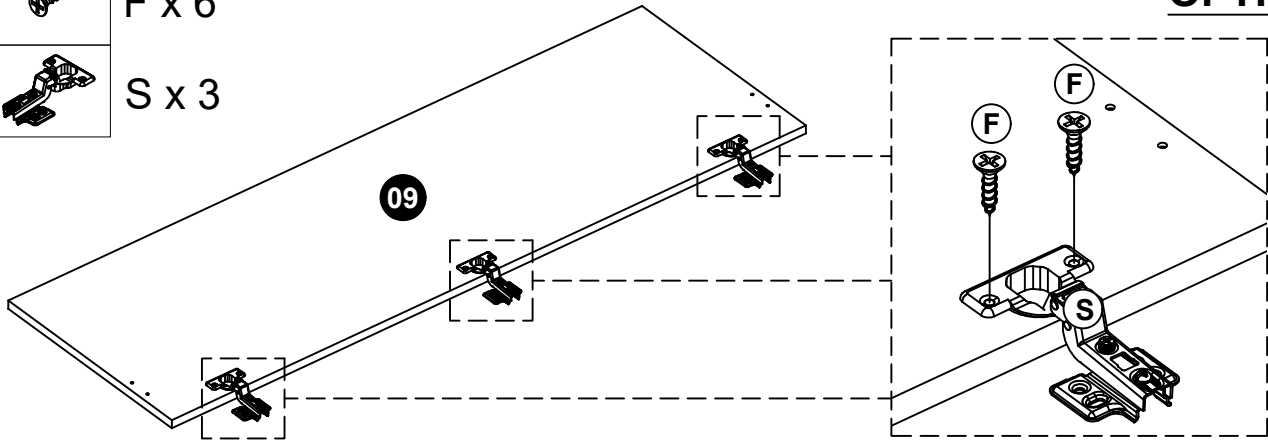
28



F x 6

S x 3

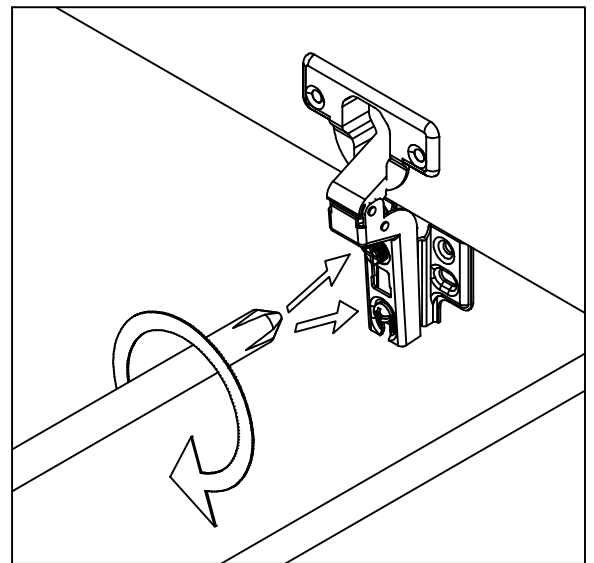
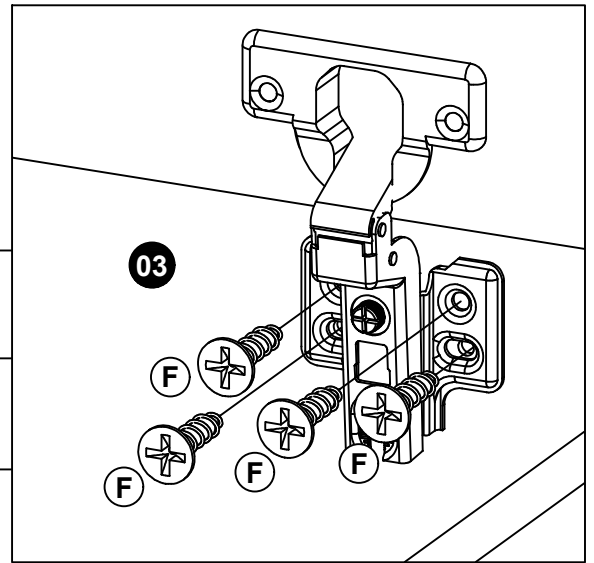
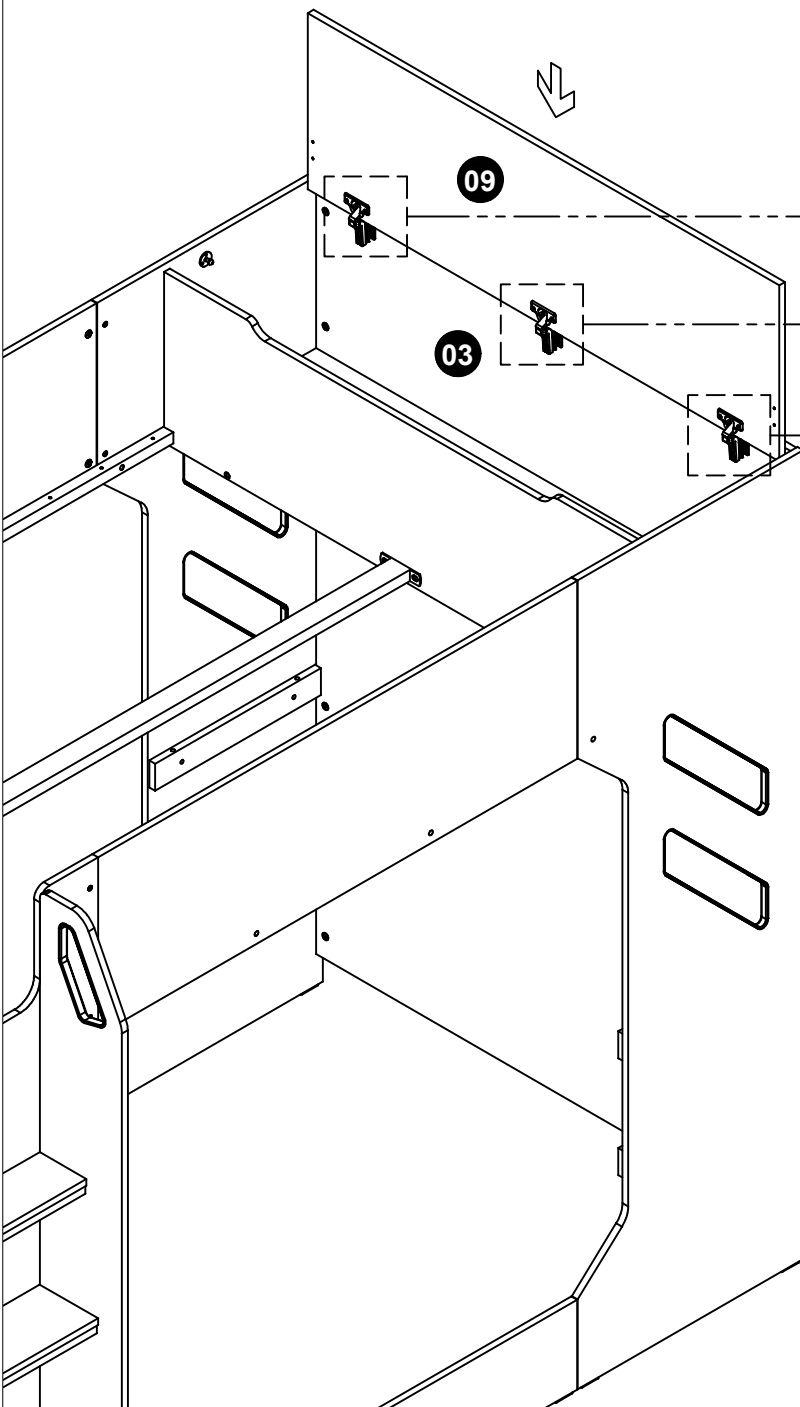
**OPTION B**



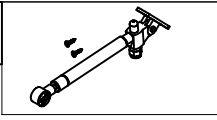
29



F x 12

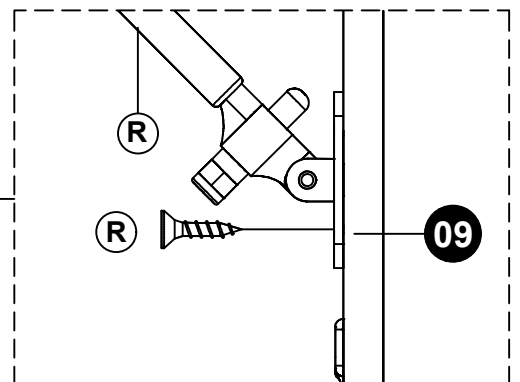
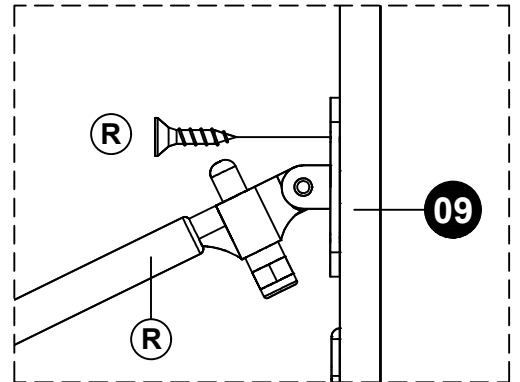
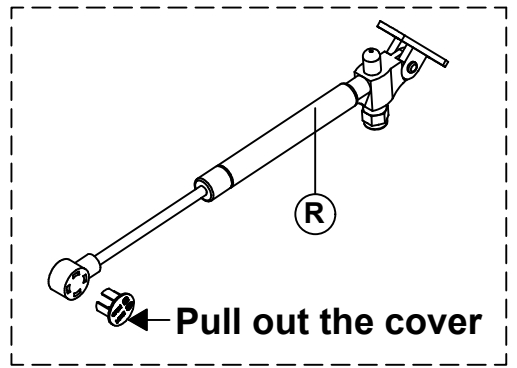
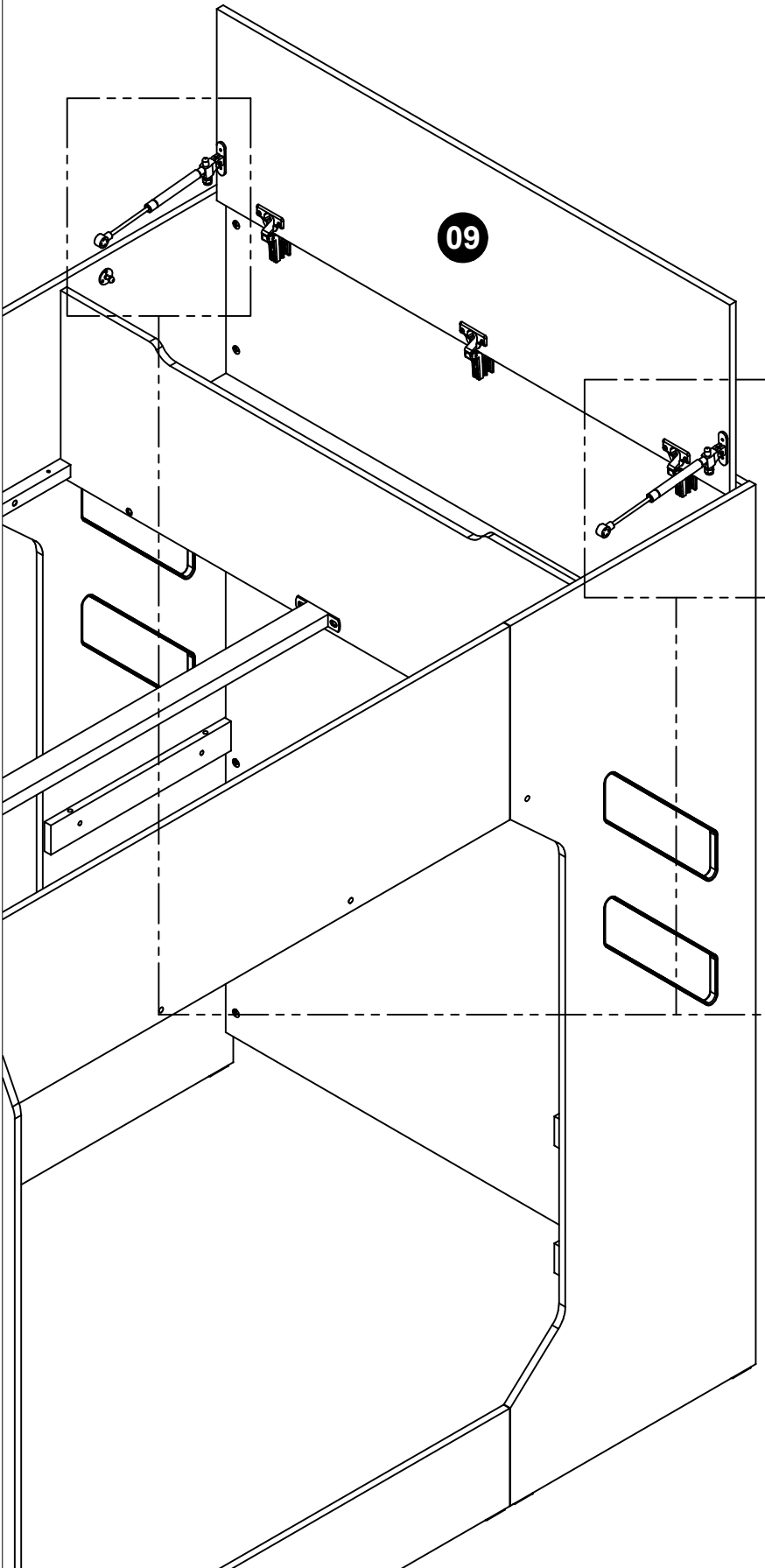


30

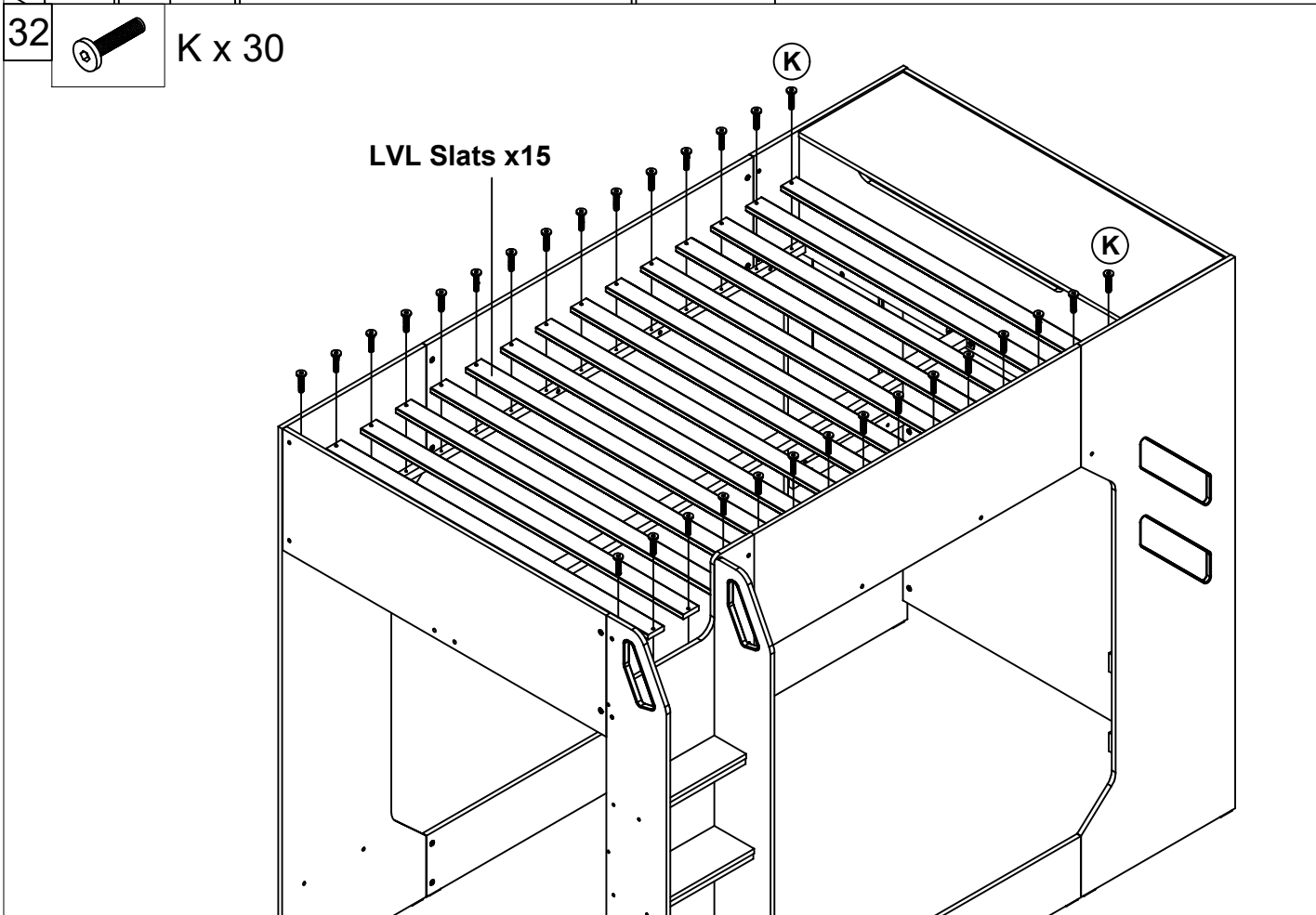
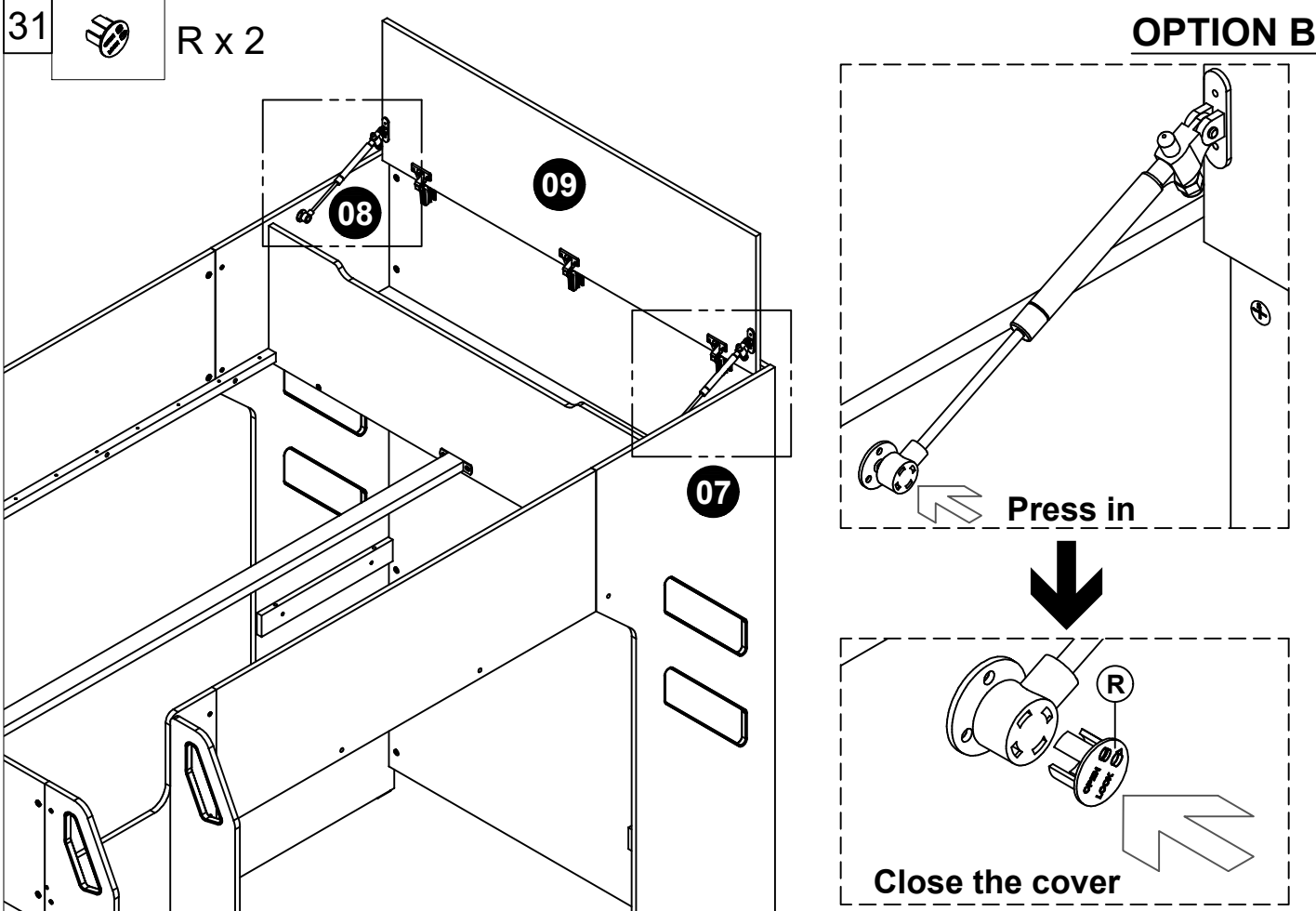


R x 2



**OPTION B**



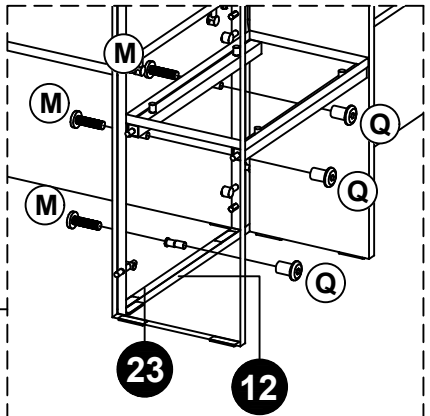
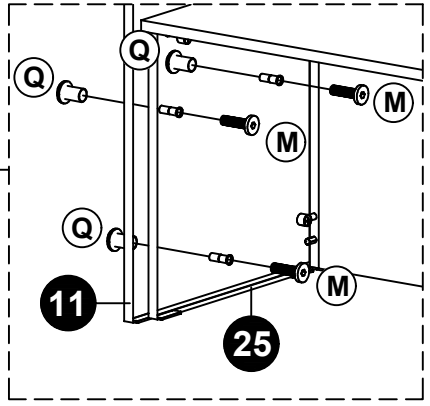
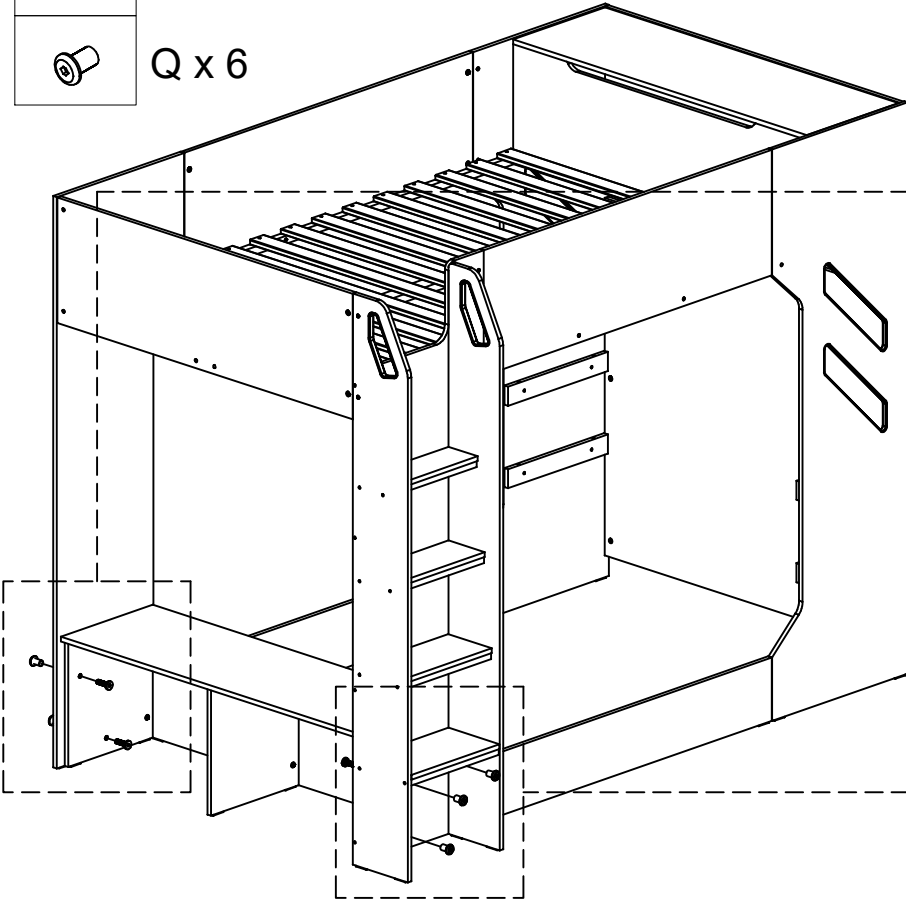




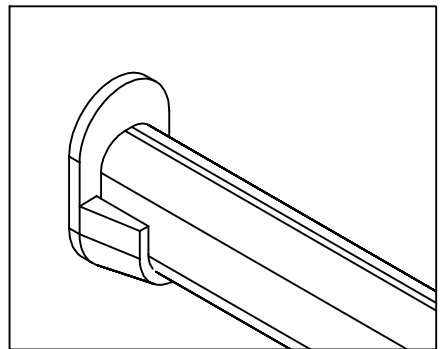
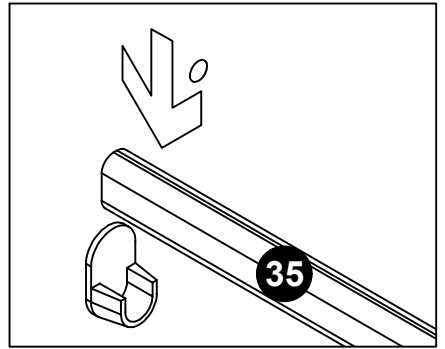
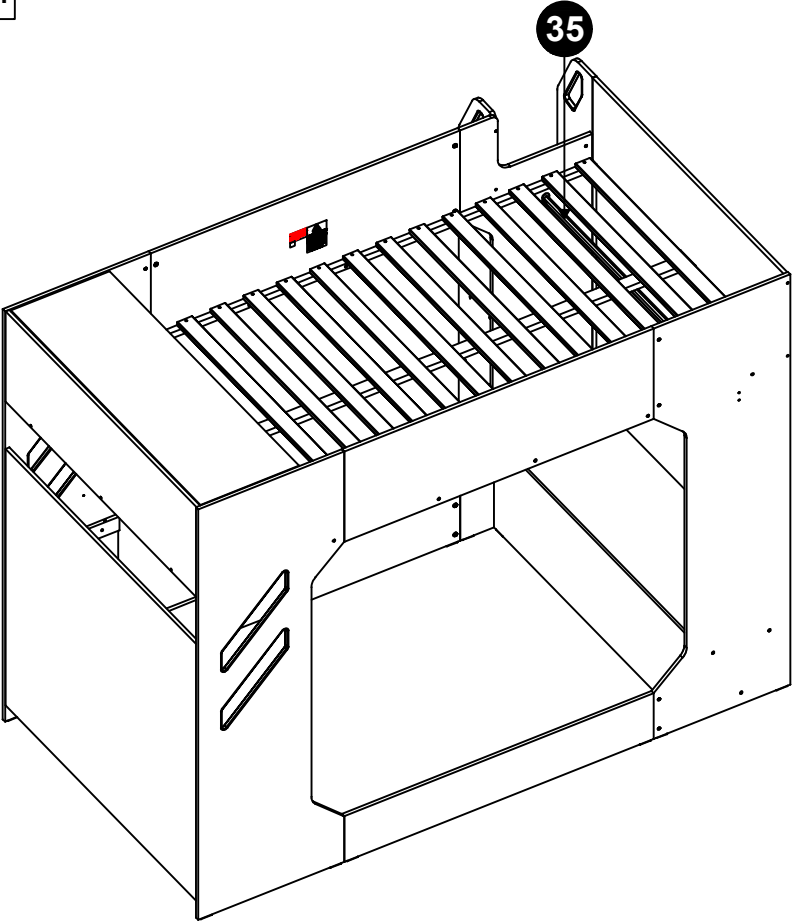
33

-  M x 6
-  Q x 6

**OPTION B**



34

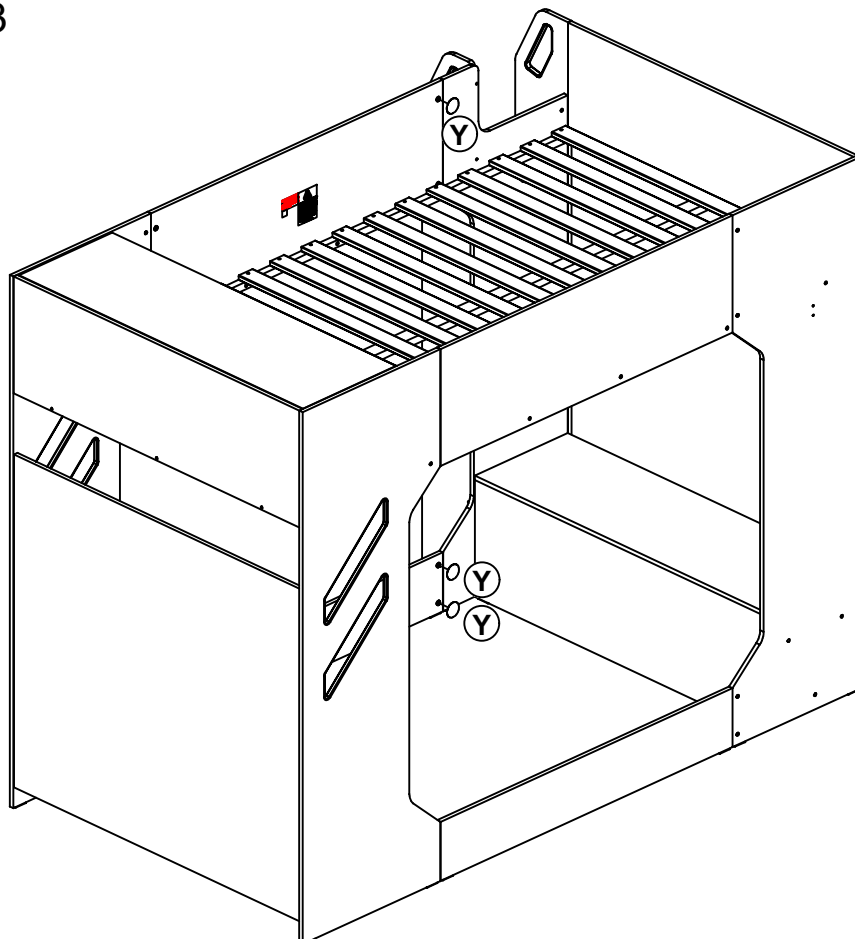


35



Y x 3

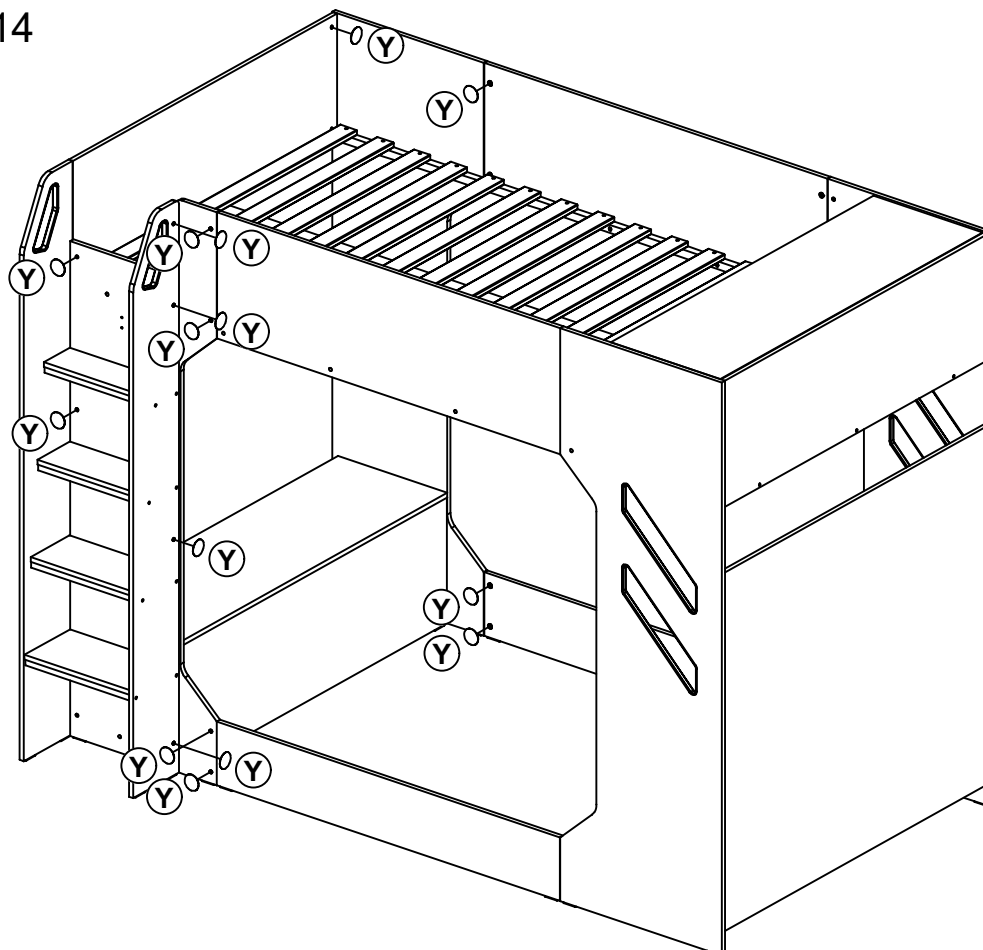
**OPTION B**



36



Y x 14

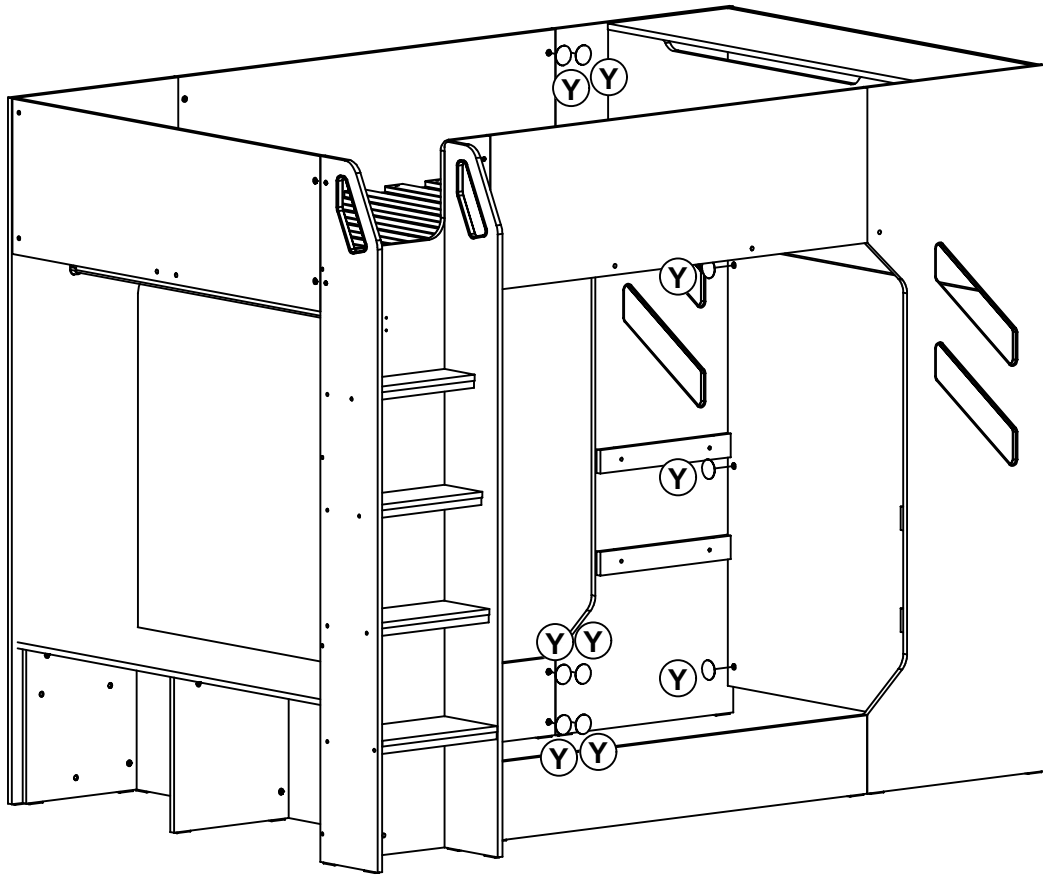


37



Y x 9

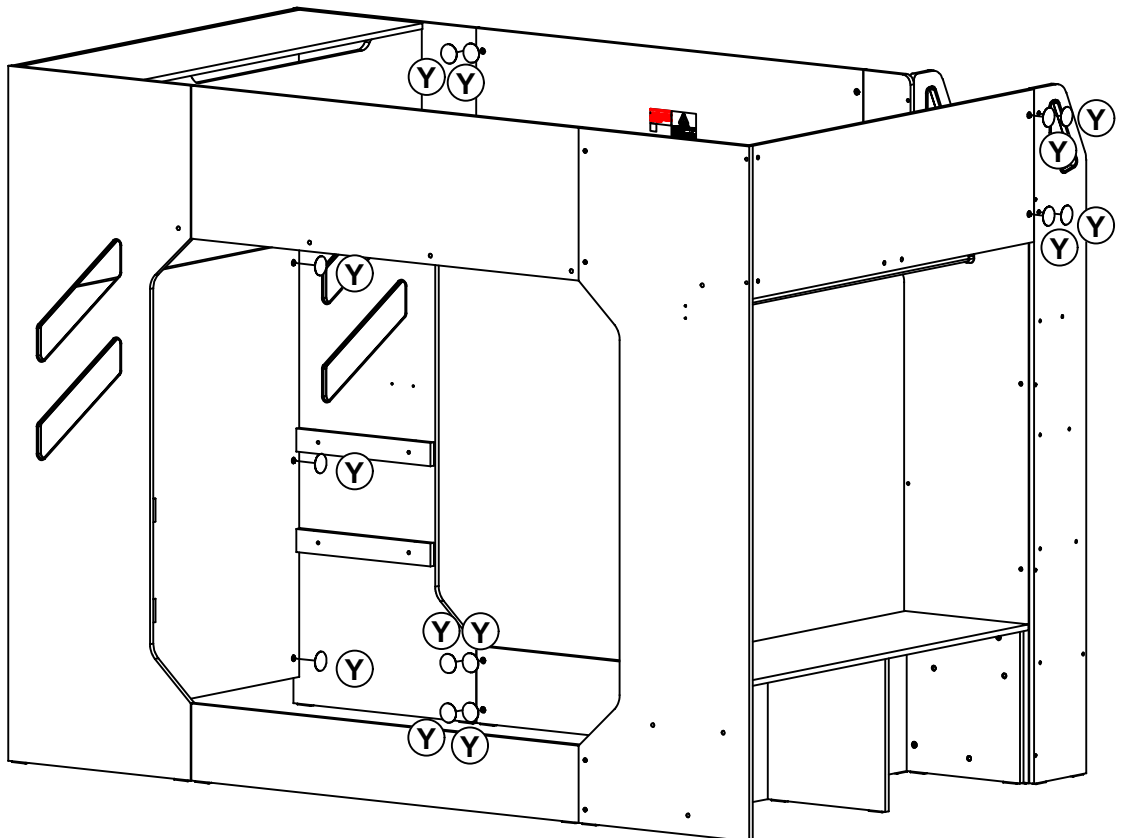
**OPTION B**



38



Y x 13

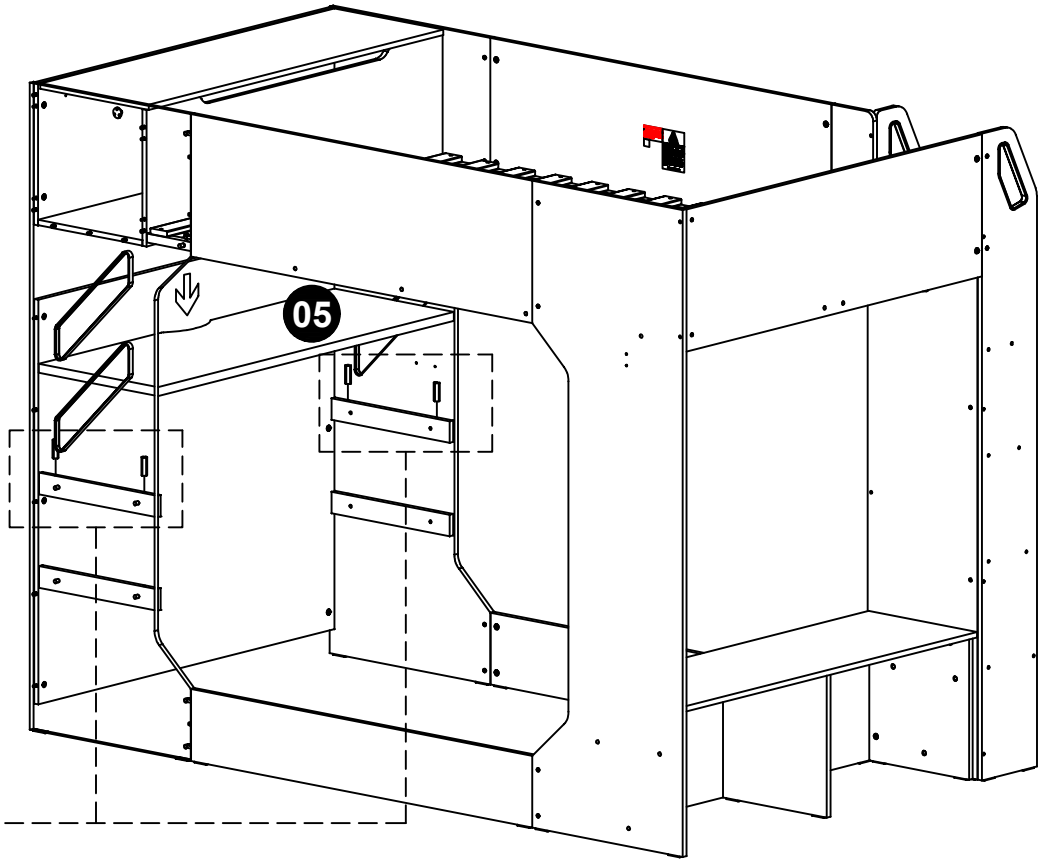
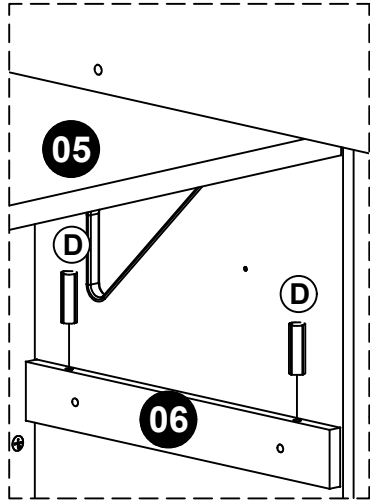


39



D x 4

**OPTION B**



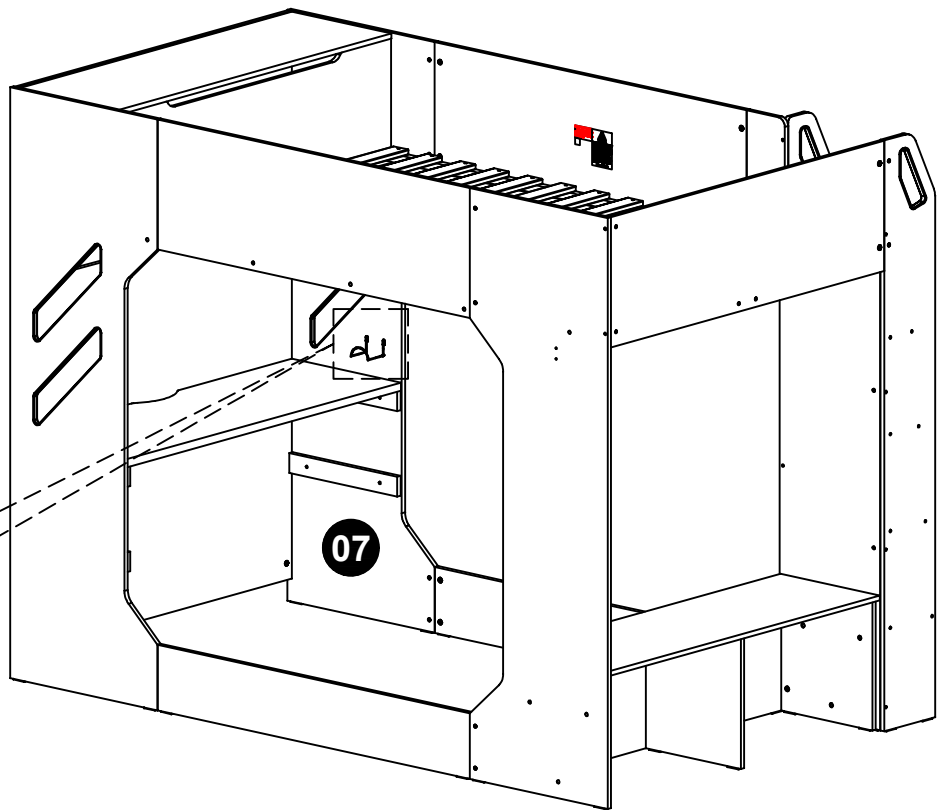
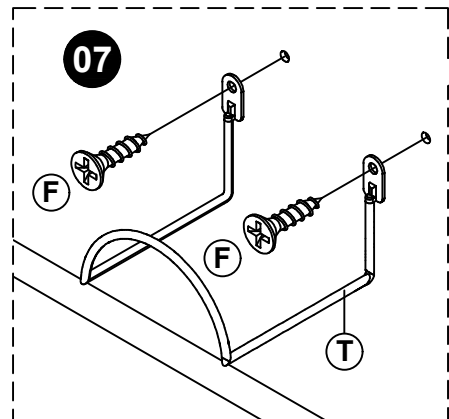
40






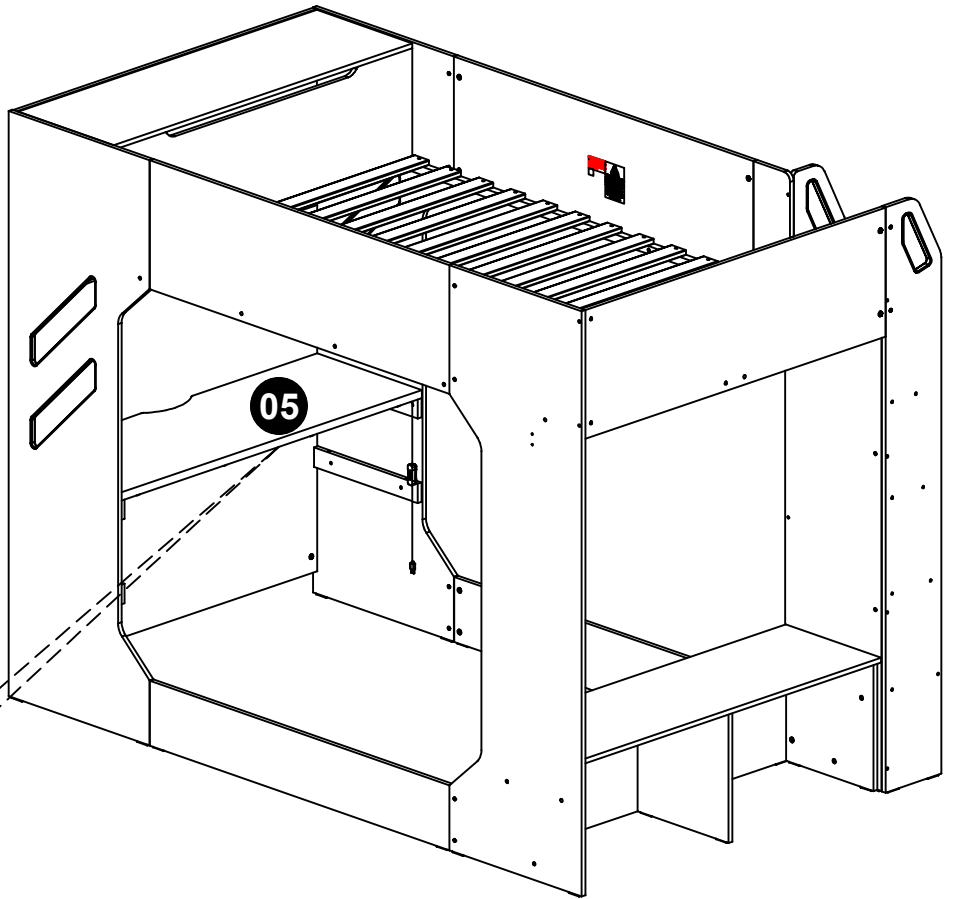
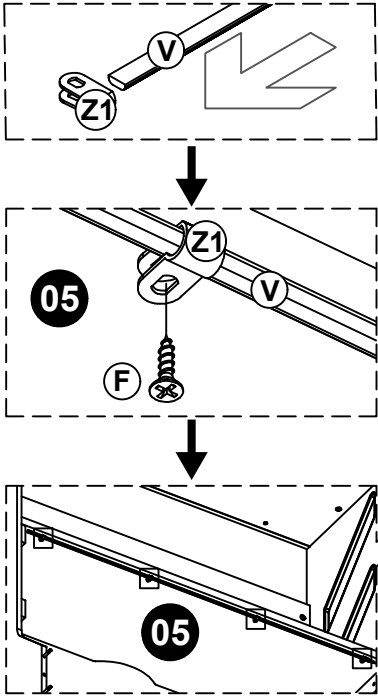
F x 2



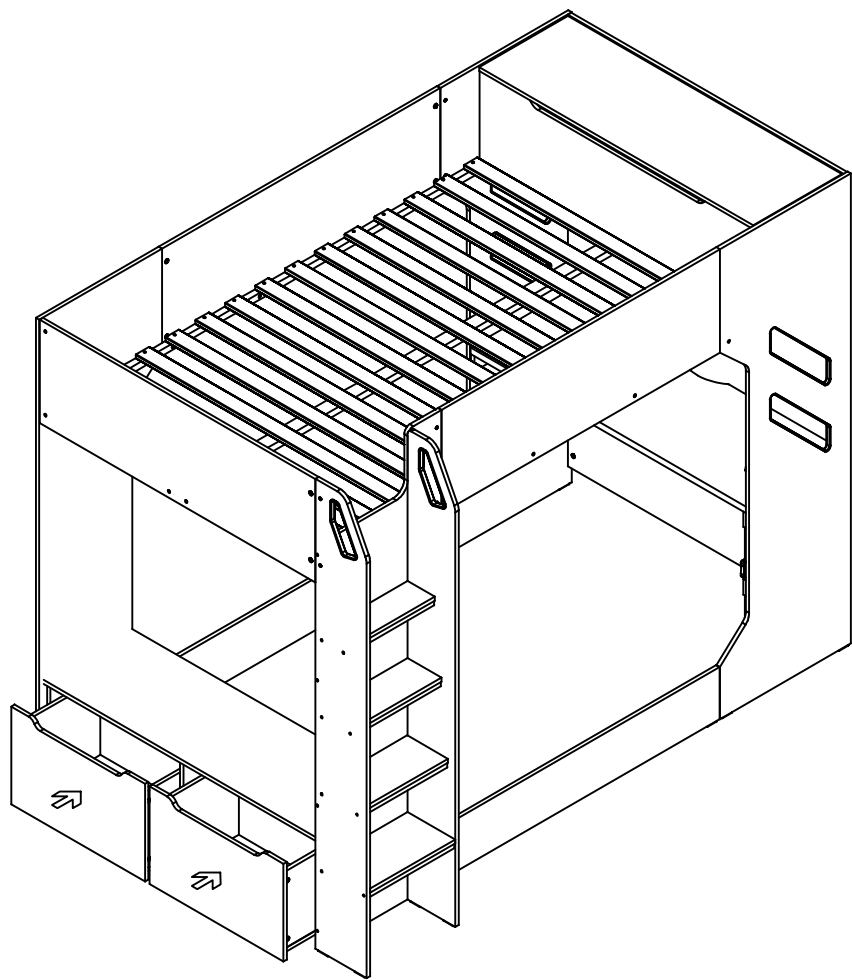
T x 1



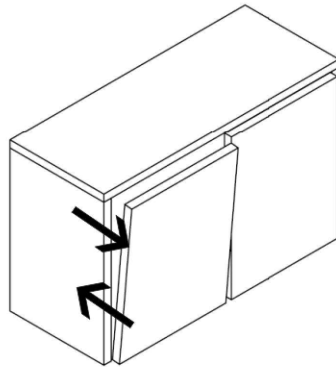
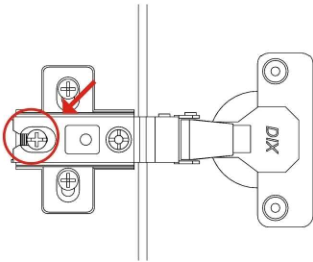
- 41  F x 4
-  V x 1
-  Z1 x 4



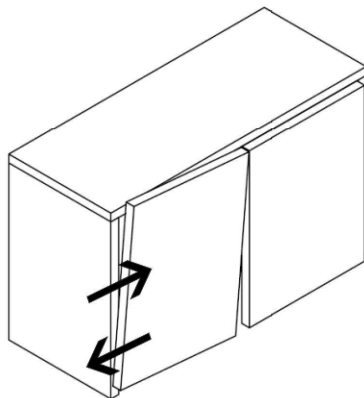
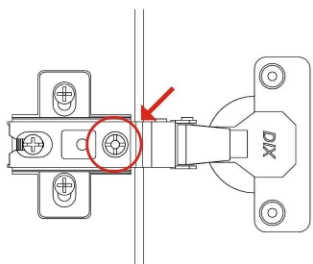
42



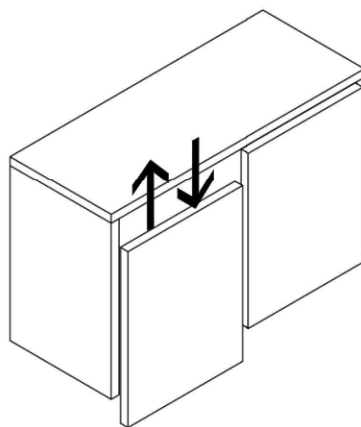
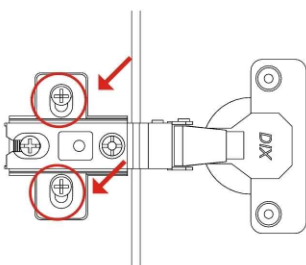
# Adjusting Possibilities



**Depth Adjustment**  
after loosening the hinge  
arm mounting screw



**Lateral Adjustment**  
by adjusting screw



**Vertical Adjustment**  
via mounting plate (via  
slots or, if in two pieces,  
via screw)

# **General Care**

Wipe clean with a slightly damp soft cloth.

Avoid the use of all household cleaners and abrasives.

When moving your furniture, carefully lift into place. Never drag or push the pieces across the floor as this will cause damage to the joints and could result in failure to the product that will invalidate the warranty.

# **Recommendations**

Periodical re-tightening of fixings.

# **Warning**

This unit is heavy. Please use an assistant when lifting.

# **Notes**

We've tried to make this piece of furniture as easy to assemble as possible. In the unlikely event that you have problems putting it together or have damaged or missing pieces, please contact our customer services on 01924 950 955

## Flair Furnishings

Old Delivery Office, Oldfield Lane, Heckmondwike, West Yorkshire, WF16 0JD