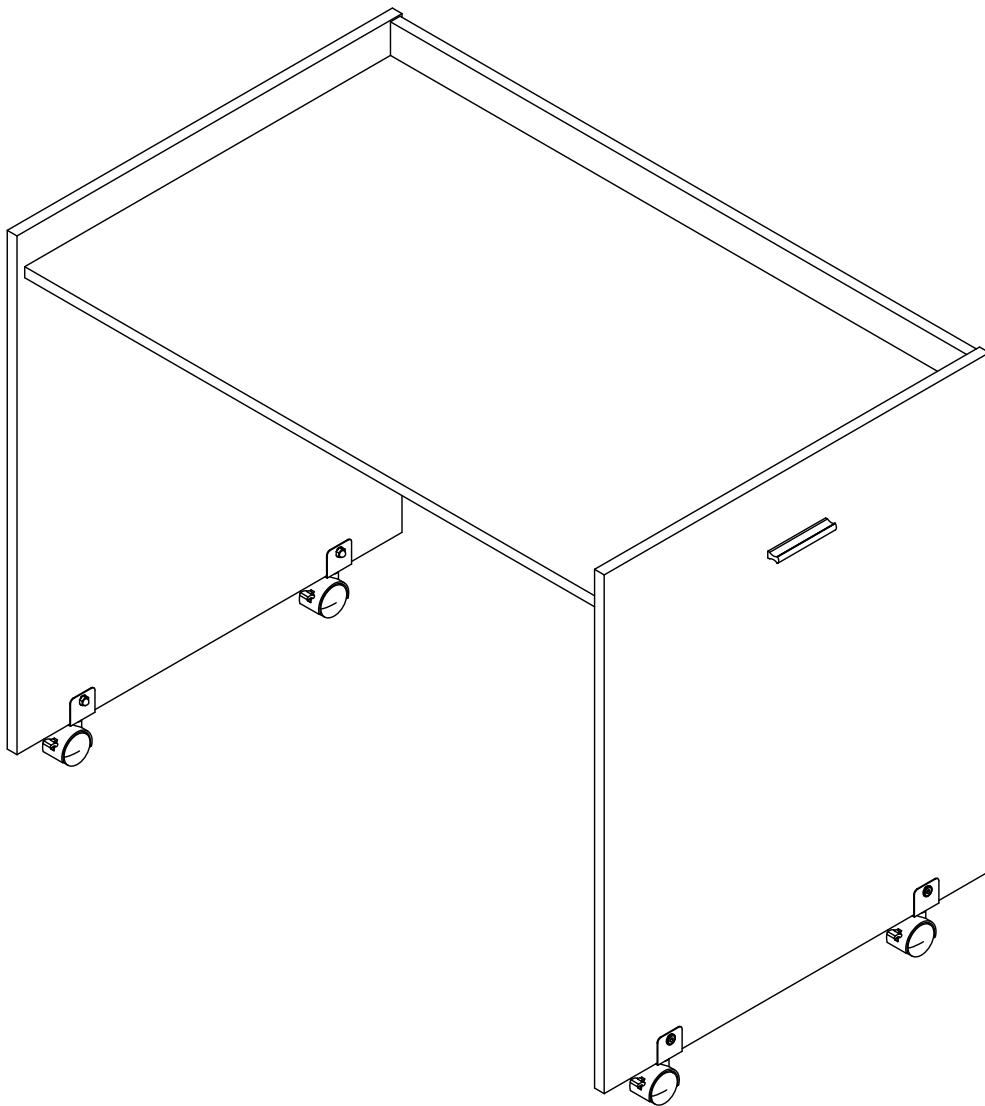


# Ersa Midsleeper - Pull - Out Desk

## Assembly Instructions



# SAFETY ADVICE

Please take the time to carefully read through the whole of these instructions before you commence.

Keep these instructions for future reference.

Unpack, inspect and check of all of the contents.

Please dispose of all packing safely.

Small components parts could choke a child is swallowed.

We strongly recommend that you keep children well away from the work area.

It would be sensible to lay a sheet or blanket on the floor where you intend to work to avoid Scratching this product and protect your floor.

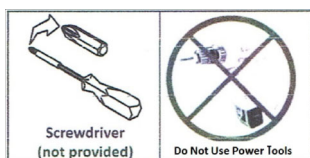
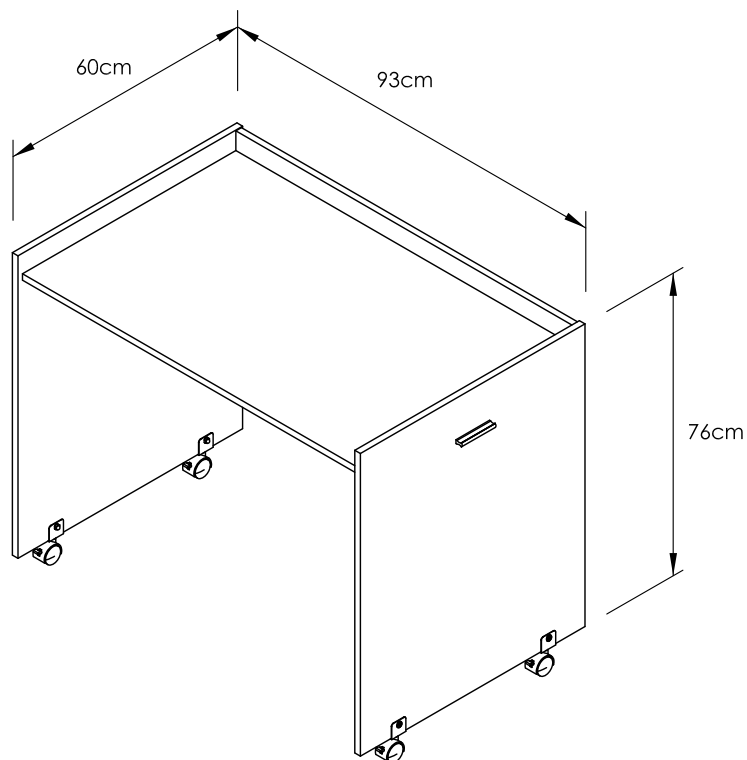
This product is heavy. Take extreme care when lifting to avoid personal injury or damage to the product.

This bed is heavy. Always lift this bed with two people.

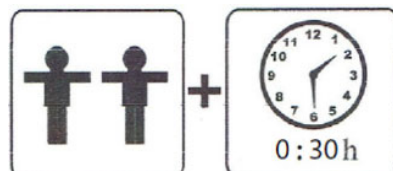
Assemble the product as close to its intended final position in the room as possible.

Keep any sharp object away from the bed frame.

**HANDY HINT:** If you keep the hardware in a bowl during assembly you will be less likely to lose them.



All Dimensions are approximates.



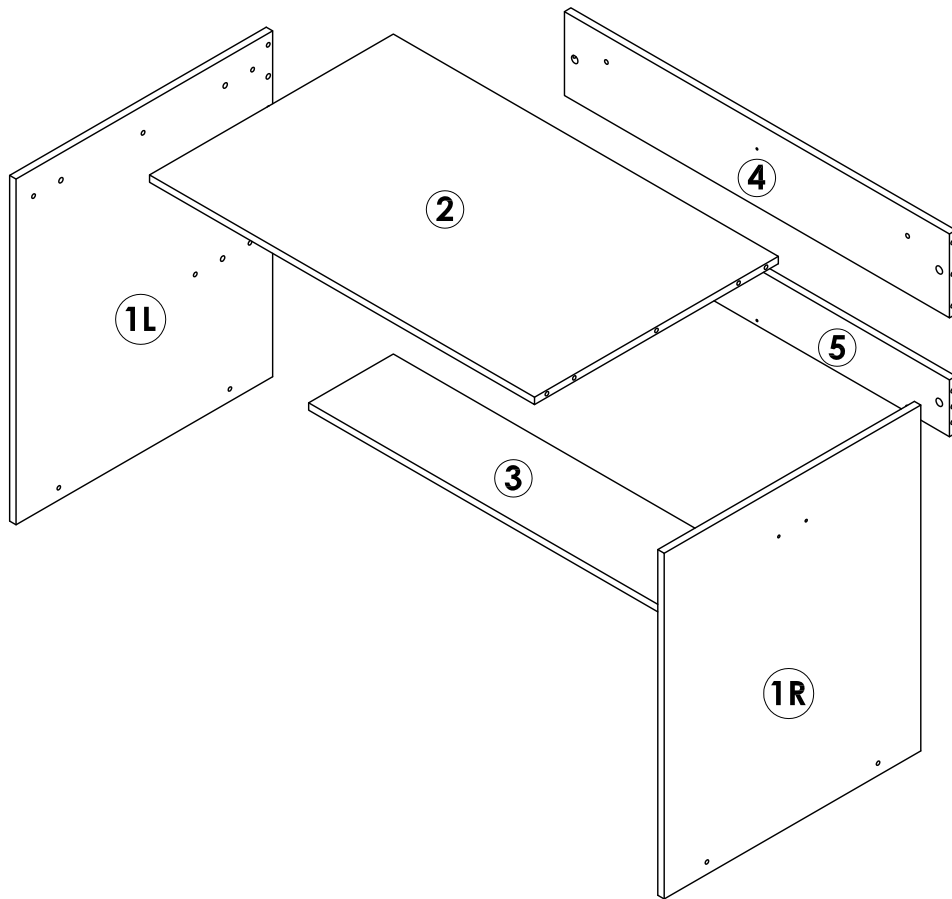
# PART LIST

Model : Ersa Midsleeper - Pull - Out Desk

Carton 6 of 6

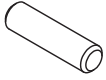
No.	Part Name	Pcs
①L	SIDE PANEL (LEFT)	1
①R	SIDE PANEL (RIGHT)	1
②	TOP PANEL	1
③	SHELF	1
④	BACK PANEL (BIG)	1
⑤	BACK PANEL (SMALL)	1
FITTING LIST		

# Parts



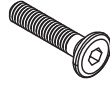
# Hardware

**A**



PLASTIC DOWEL (M8 x 30MM)  
**22 PCS**

**B**



JCBC BOLT (M6 x 25MM)  
**4 PCS**

**C**



CONNECTING BOLT (24MM)  
**10 PCS**

**D**



MINIFIX (12MM)  
**10 PCS**

**E**



CSK C/B SCREW (M4 x 32MM)  
**2 PCS**

**F**



P/H M SCREW (M4 x 19MM)  
**2 PCS**

**G**



HEX CAP NUT (M6)  
**4 PCS**

**H**



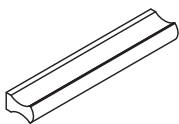
EURO NYLON  
**10 PCS**

**J**



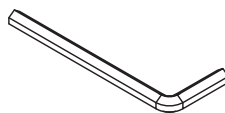
U-PLATE CASTOR (STOPPER)  
**4 PCS**

**K**



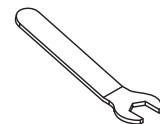
ALUMINIUM HANDLE 1001 (64MM)  
**1 PC**

**L**

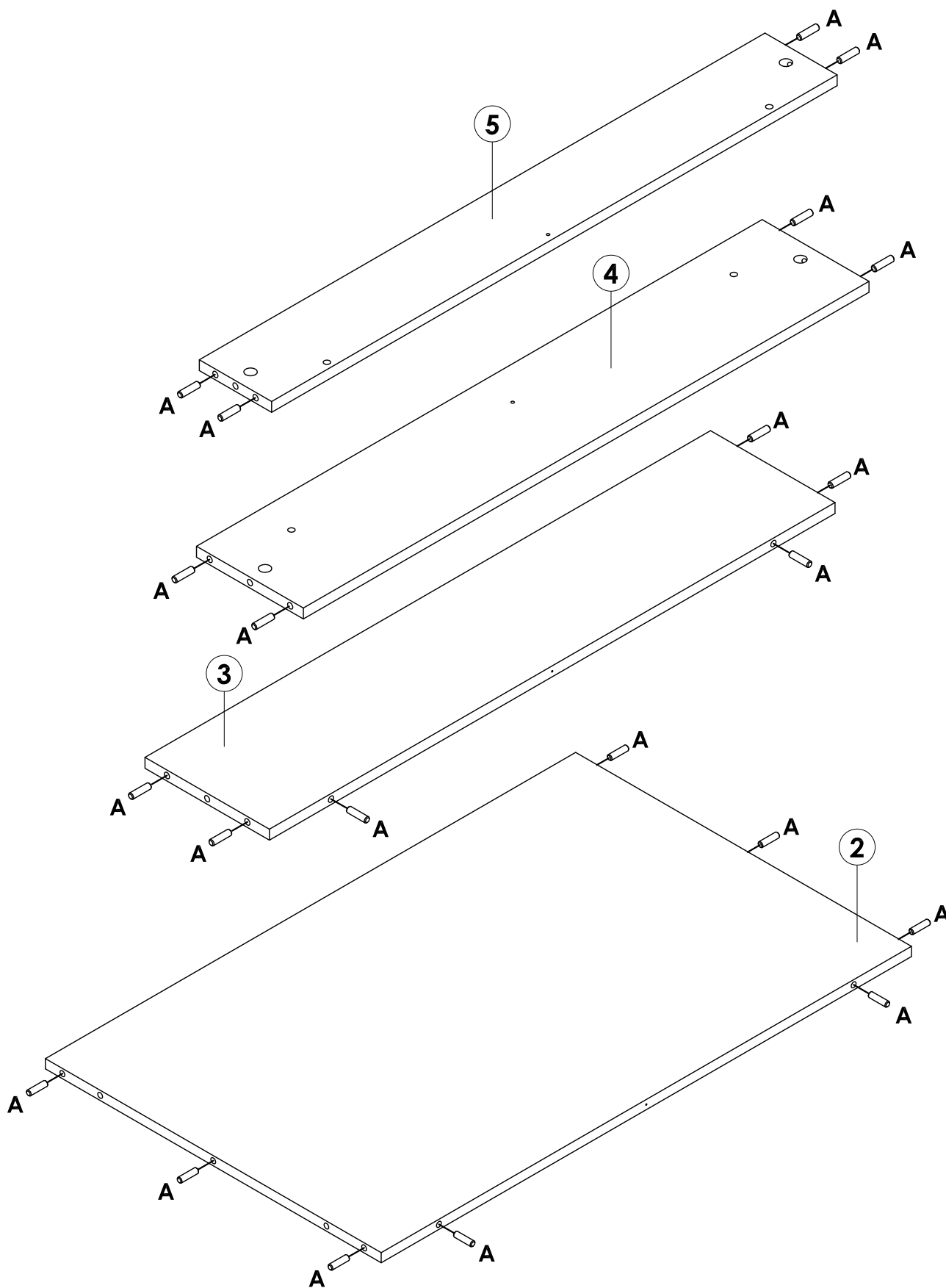


ALLEN KEY (M4 x 60MM)  
**1 PC**

**M**





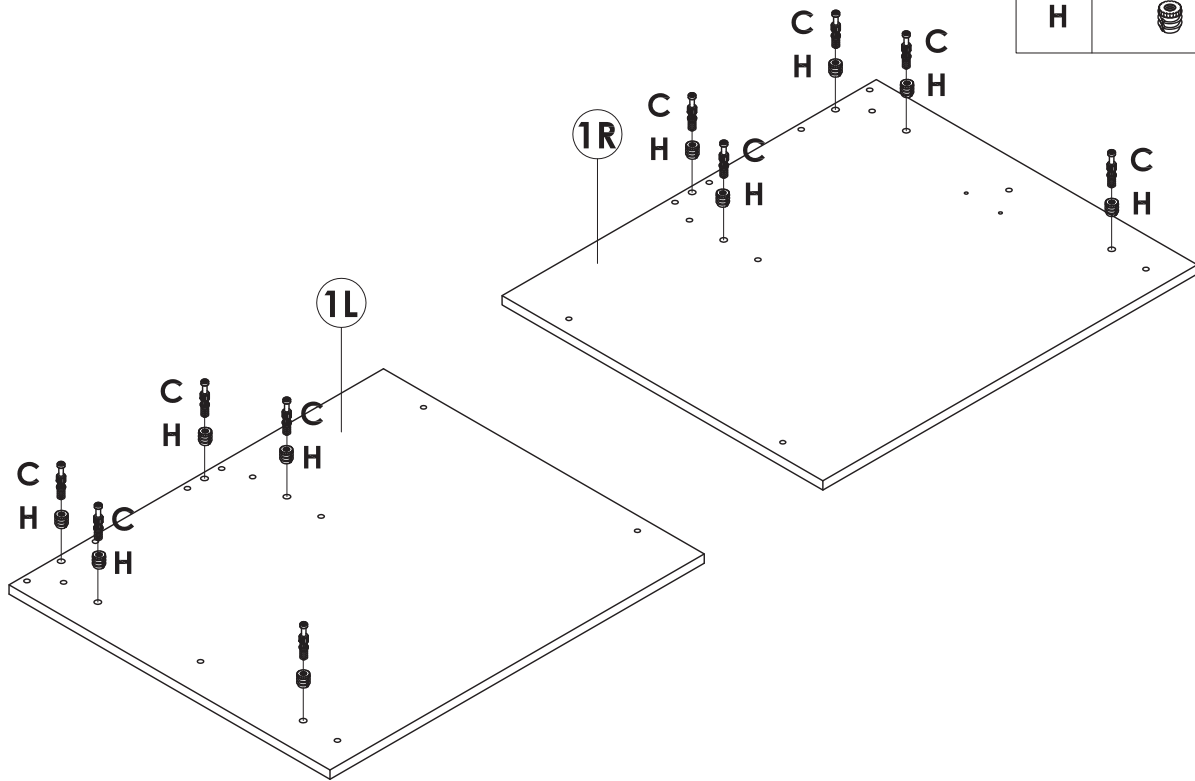
SPANNER (10MM)  
**1 PC**



Insert (A) into  $\varnothing 8\text{MM}$  holes on **Top Panel**, **Shelf**, **Back Panel (Big)** and **Back Panel (Small)**.






**STEP 2** DO NOT use any power tools as this may damage the bed frame and will invalidate any claim.

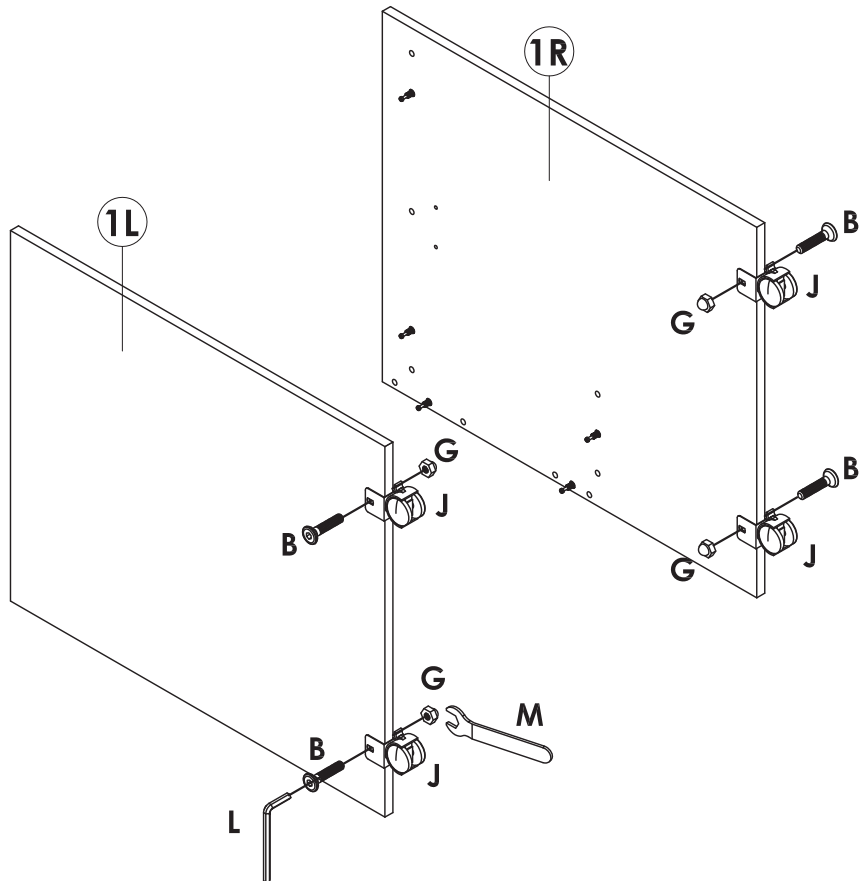
C		10
H		10



Insert (H) and (C) into Ø10MM holes on Side Panel (Left) and Side Panel (Right).


**STEP 3** DO NOT use any power tools as this may damage the bed frame and will invalidate any claim.

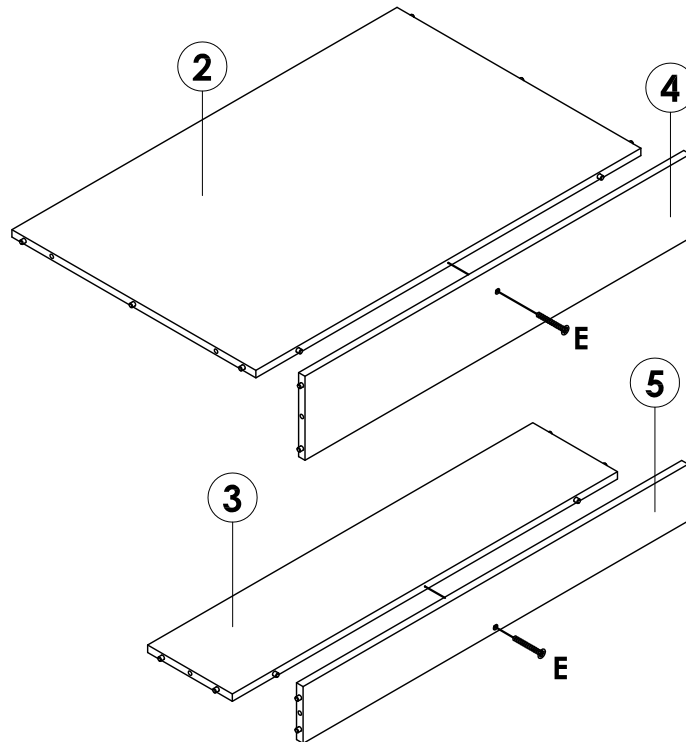
B		4
G		4
J		4
L		1
M		1



Attach and secure (J) onto Side Panel (Left) and Side Panel (Right) base on specified marking holes given as shown above by using (B) and (G), tighten it up by using (L) and (M).

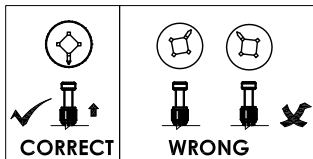
**STEP 4** DO NOT use any power tools as this may damage the bed frame and will invalidate any claim.

E		2
---	---	---



Attach and secure **Back Panel (Big)** and **Back Panel (Small)** onto **Top Panel** and **Shelf** by using **(E)**, tighten it up by using a Crosshead Screw Driver.

**STEP 5**

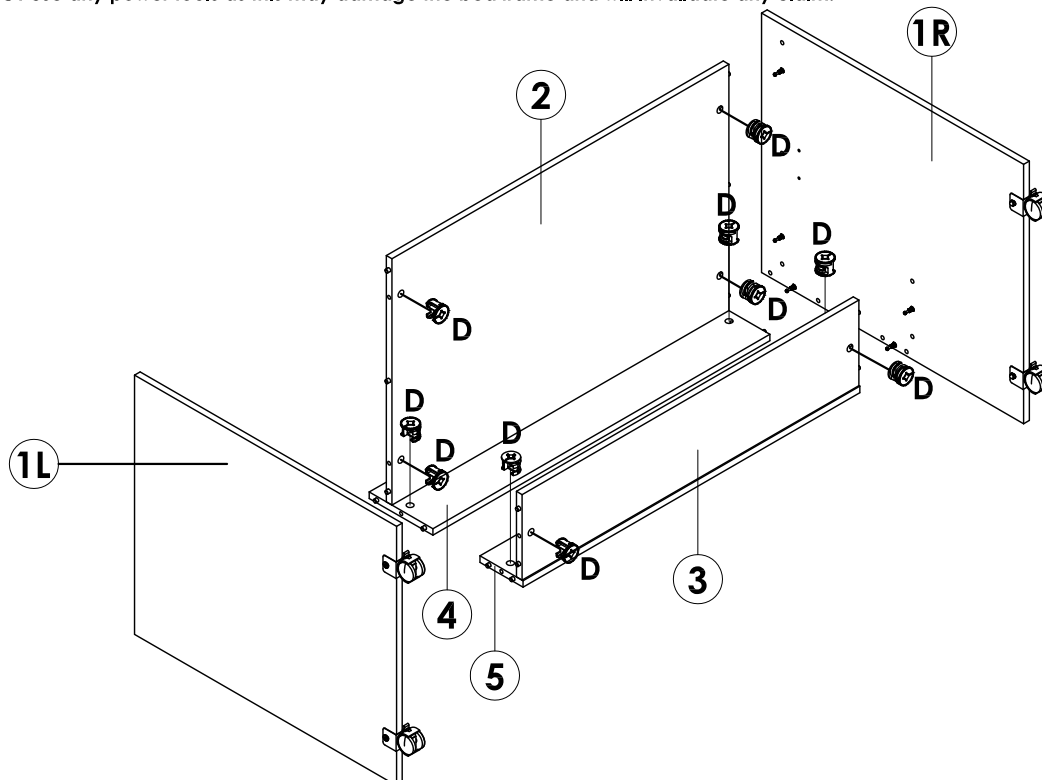


**WHEN FITTING CAMS**

ENSURE STARTING POSITION IS CORRECT BEFORE YOU INSERT CONNECTING BOLT TURN CLOCKWISE UNTIL SECURE.

D		10
---	---	----


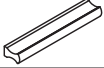
DO NOT use any power tools as this may damage the bed frame and will invalidate any claim.

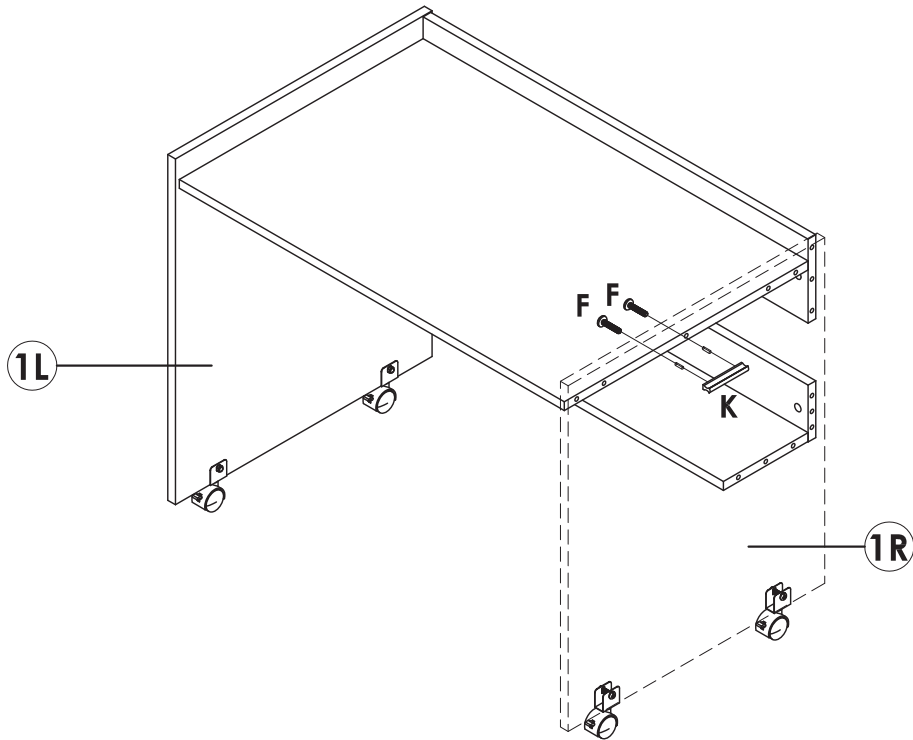


Attach and secure **Top Panel**, **Shelf**, **Back Panel (Big)** and **Back Panel (Small)** onto **Side Panel (Left)**, **Side Panel (Right)** and insert **(D)**, tighten it up by using a Crosshead Screw Driver.



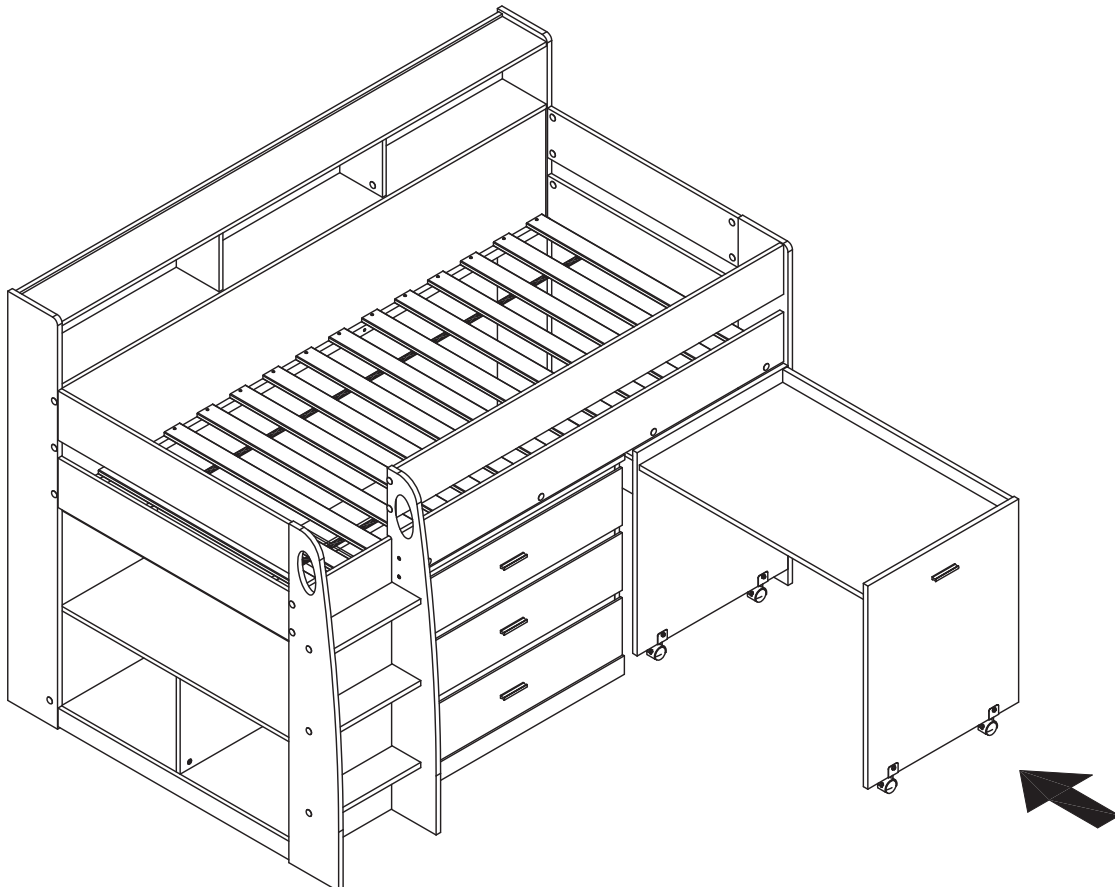
**STEP 6** DO NOT use any power tools as this may damage the bed frame and will invalidate any claim.

F		2
K		1



Attach and Secure **(K)** onto **Side Panel (Right)**, by using **(F)**, tighten it up by using crosshead screw driver.

## STEP 7



Insert **Pull-Out Desk** into underneath the side **Midsleeper**.  
Go on to complete the entire assembly.