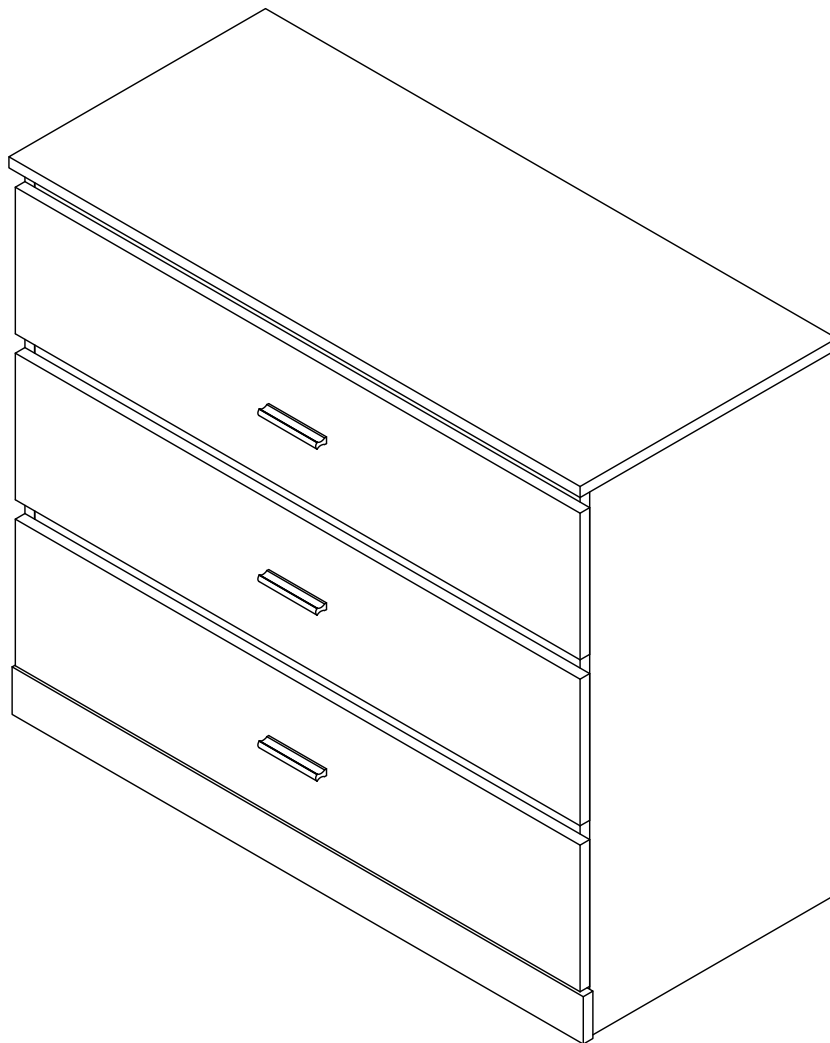


Ersa Midsleeper - 3 Drawers Chest

Assembly Instructions



SAFETY ADVICE

Please take the time to carefully read through the whole of these instructions before you commence.

Keep these instructions for future reference.

Unpack, inspect and check of all of the contents.

Please dispose of all packing safely.

Small components parts could choke a child is swallowed.

We strongly recommend that you keep children well away from the work area.

It would be sensible to lay a sheet or blanket on the floor where you intend to work to avoid

Scratching this product and protect your floor.

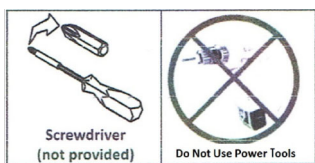
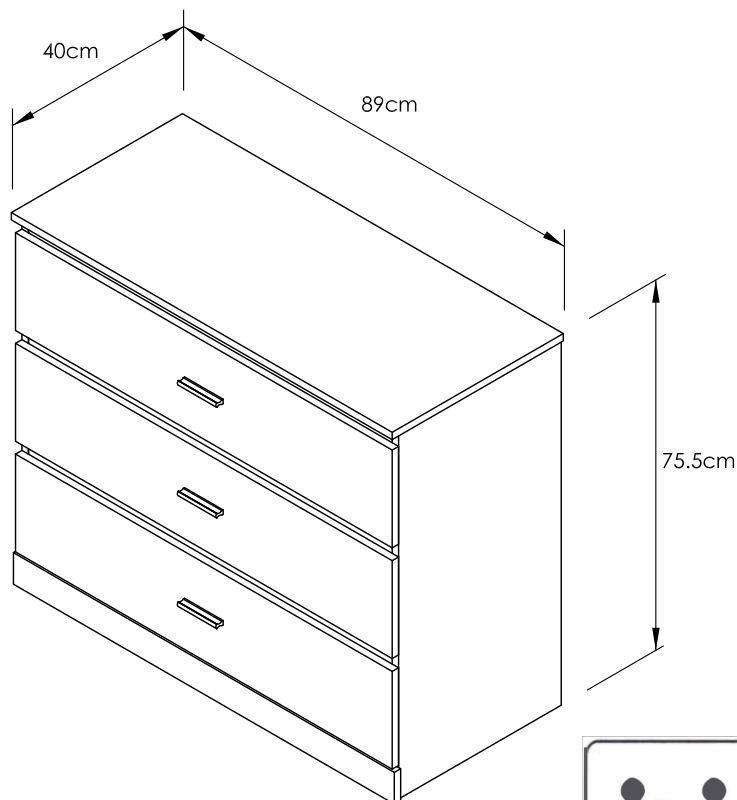
This product is heavy. Take extreme care when lifting to avoid personal injury or damage to the product.

This bed is heavy. Always lift this bed with two people.

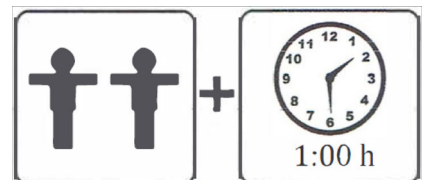
Assemble the product as close to its intended final position in the room as possible.

Keep any sharp object away from the bed frame.

HANDY HINT: If you keep the hardware in a bowl during assembly you will be less likely to lose them.



All Dimensions are approximates.



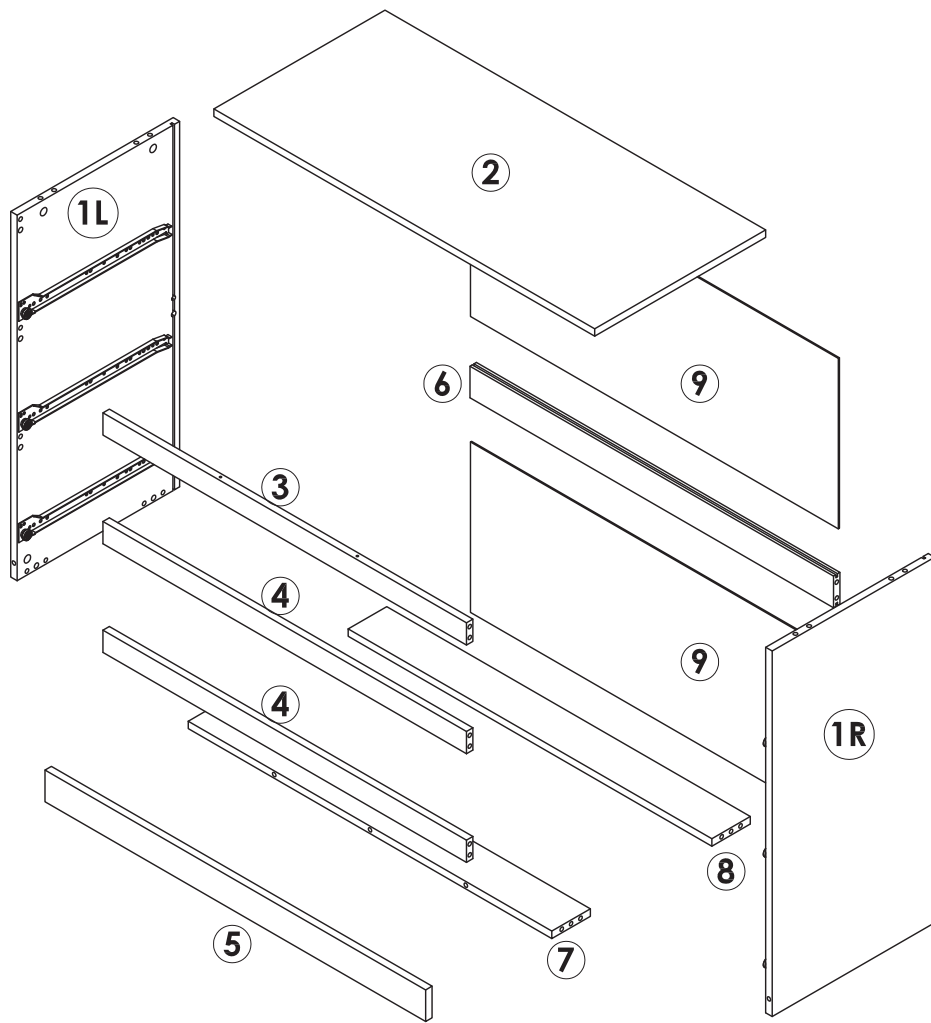
PART LIST

Model : Ersa Midsleeper - 3 Drawers Chest

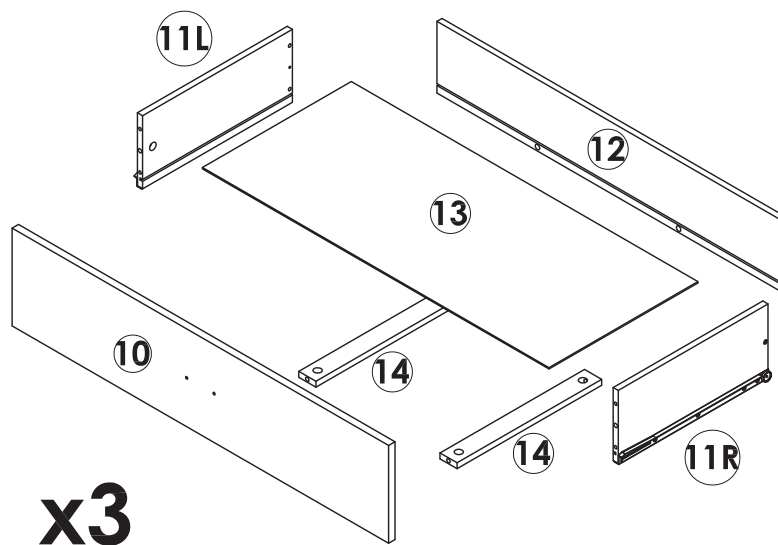
Carton 5 of 6

No.	Part Name	Pcs
①L	SIDE PANEL (LEFT)	1
①R	SIDE PANEL (RIGHT)	1
②	TOP PANEL	1
③	FRONT RAIL (TOP)	1
④	FRONT RAIL (CENTER)	2
⑤	FRONT RAIL (BOTTOM)	1
⑥	REAR RAIL	1
⑦	BOTTOM RAIL (FRONT)	1
⑧	BOTTOM RAIL (REAR)	1
⑨	BACK PANEL	2
⑩	DRAWER FACE	3
⑪L	DRAWER SIDE (LEFT)	3
⑪R	DRAWER SIDE (RIGHT)	3
⑫	DRAWER REAR	3
⑬	DRAWER BASE	3
⑭	DRAWER BASE SUPPORT	6
	FITTING LIST	

Parts



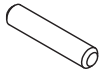
Parts (Drawers)



x3

Hardware

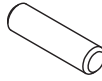
A



PLASTIC DOWEL (M6 x 30MM)

24 PCS

B



PLASTIC DOWEL (M8 x 30MM)

22 PCS

C



CONNECTING BOLT (24MM)

37 PCS

D



MINIFIX (9MM)

18 PCS

E



MINIFIX (12MM)

19 PCS

F



CSK C/B SCREW (M3 x 20MM)

6 PCS

G



CSK C/B SCREW (M4 x 32MM)

8 PCS

H



P/H C/B SCREW (M3.5 x 16MM)

5 PCS

J



P/H M SCREW (M4 x 19MM)

6 PCS

K



EURO NYLON

19 PCS

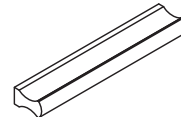
L



PLASTIC CORNER BLOCK (ABS)

6 PCS


M

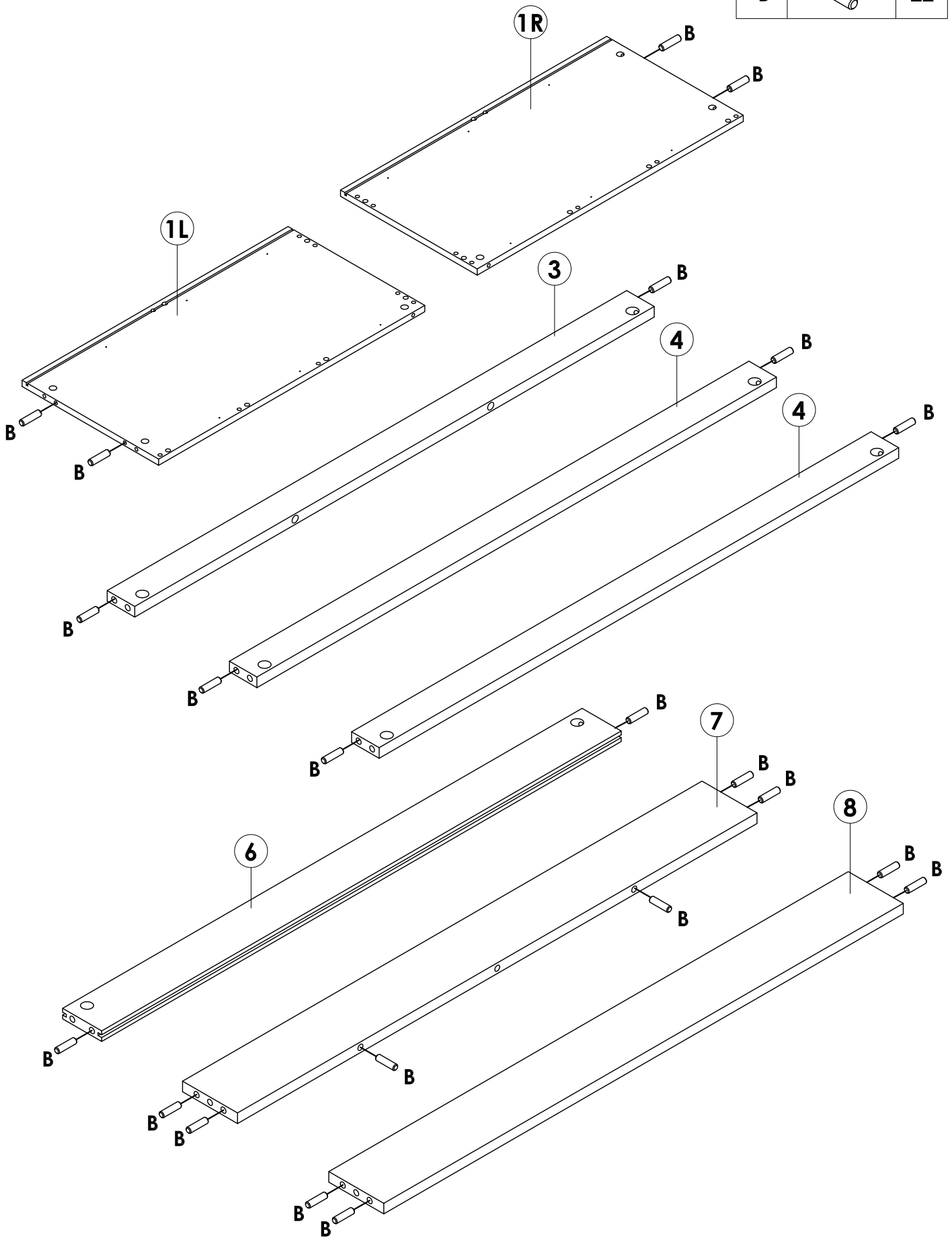


ALUMINIUM HANDLE 1001 (64MM)

3 PCS



STEP 1

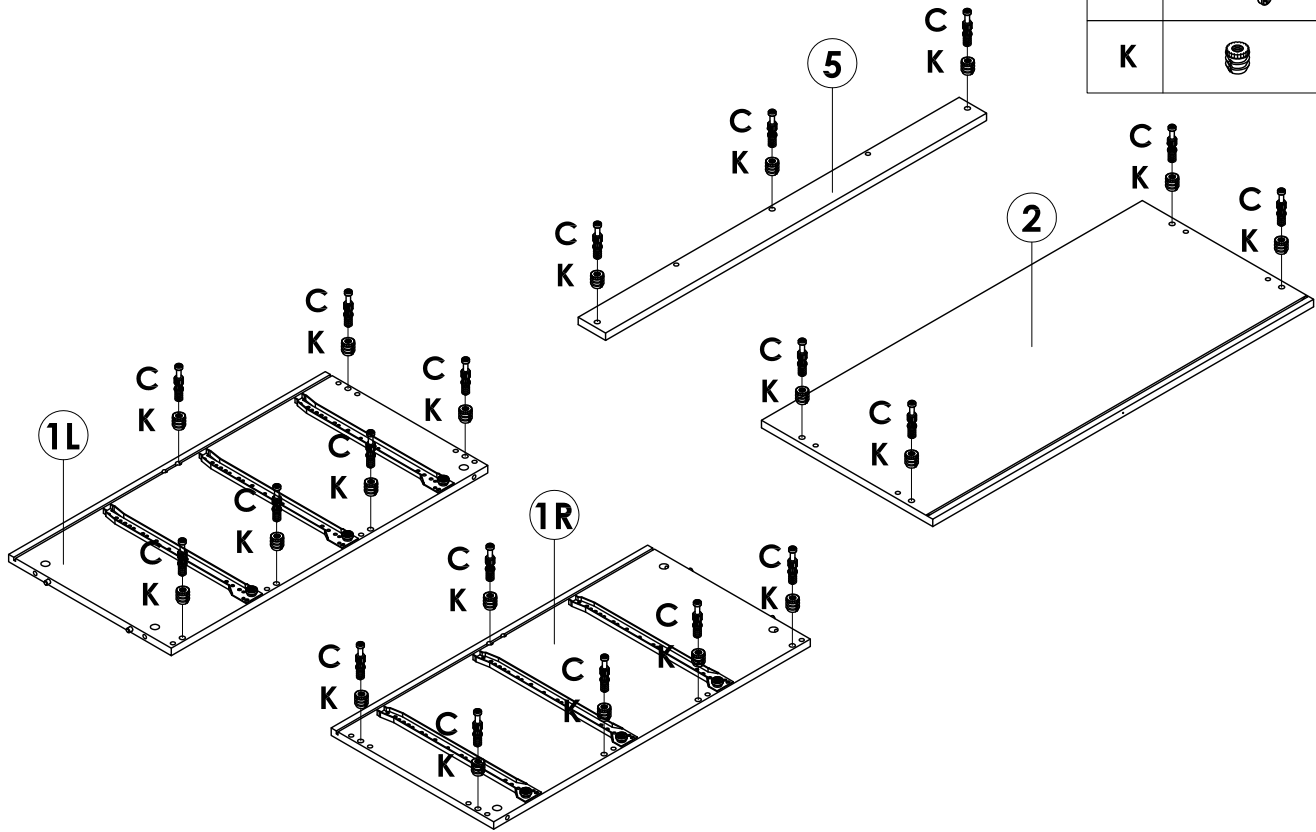
B		22
---	---	----



Insert (B) into Ø8MM holes on Side Panel (Left), Side Panel (Right), Front Rail (Top), Front Rail (Center), Rear Rail, Bottom Rail (Front) and Bottom Rail (Rear).

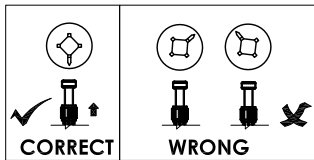
STEP 2 DO NOT use any power tools as this may damage the bed frame and will invalidate any claim.

C		19
K		19



Insert (K) and (C) into Ø10MM holes on **Side Panel (Left)**, **Side Panel (Right)**, **Top Panel**, and **Front Rail (Bottom)**.

STEP 3

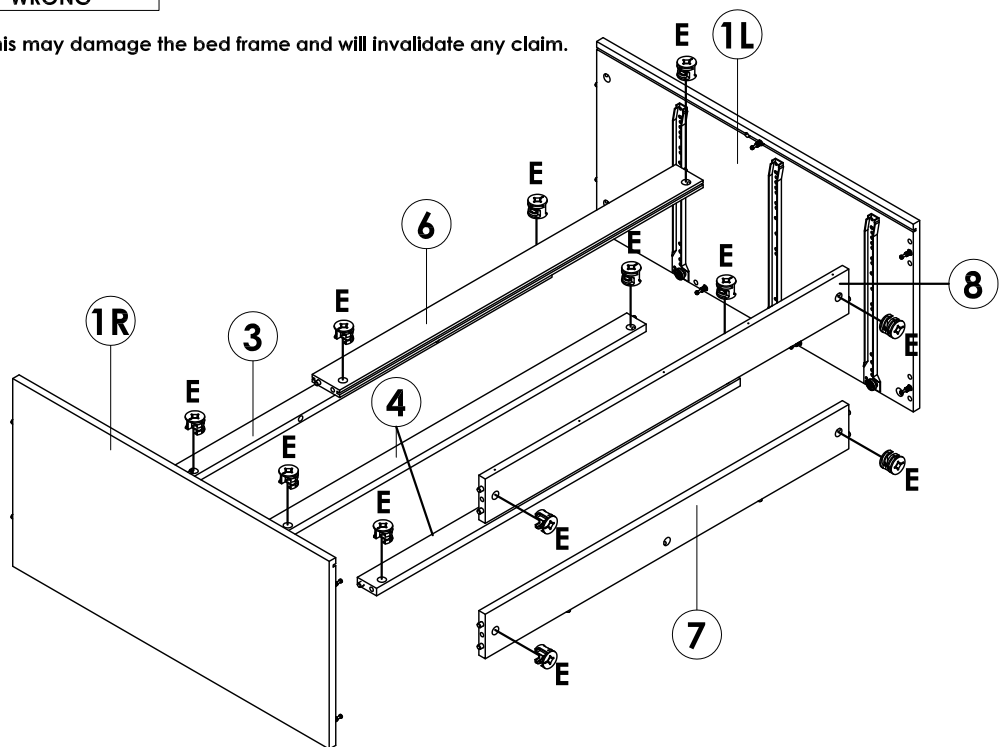


WHEN FITTING CAMS

ENSURE STARTING POSITION IS CORRECT BEFORE YOU INSERT CONNECTING BOLT TURN CLOCKWISE UNTIL SECURE.

E		12
---	---	----

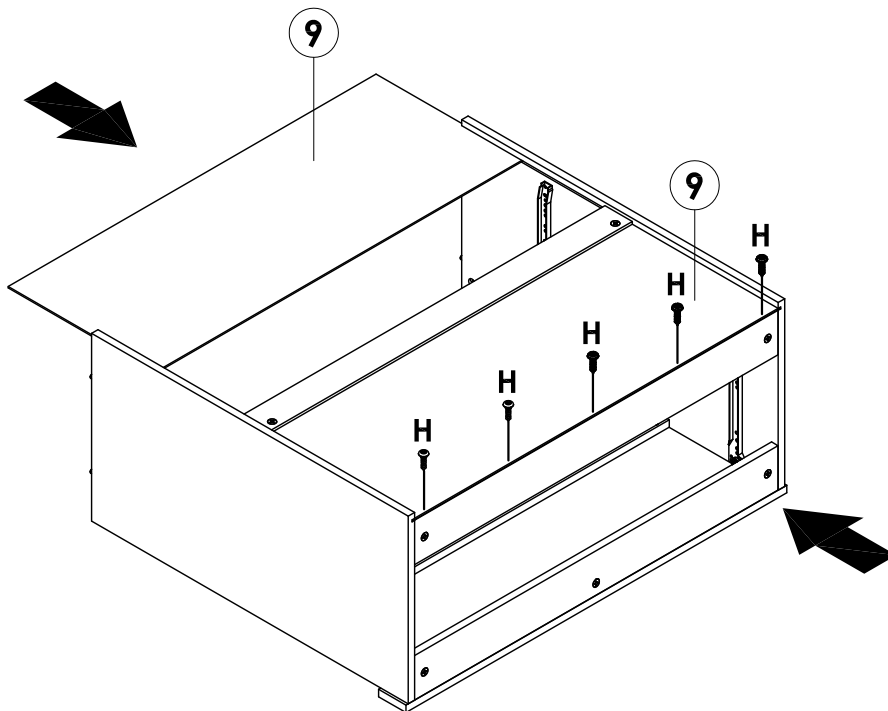
DO NOT use any power tools as this may damage the bed frame and will invalidate any claim.



Attach and secure **Front Rail (Top)**, **Front Rail (Center)**, **Rear Rail**, **Bottom Rail (Front)** and **Bottom Rail (Rear)** onto **Side Panel (Left)**, **Side Panel (Right)** and insert (E) tighten it up by using a Crosshead Screw Driver.

STEP 4 DO NOT use any power tools as this may damage the bed frame and will invalidate any claim.

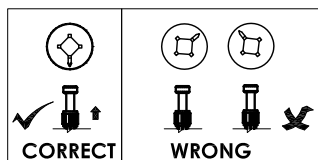
H		5
---	---	---



Slide down 2 pieces **Back Panel** onto **Side Panel (Left)** and **Side Panel (Right)** through the groove as shown on drawing.

Insert **(H)** into Ø2MM holes on **Back Panel**, tighten it up by using Crosshead Screw Driver.

STEP 5

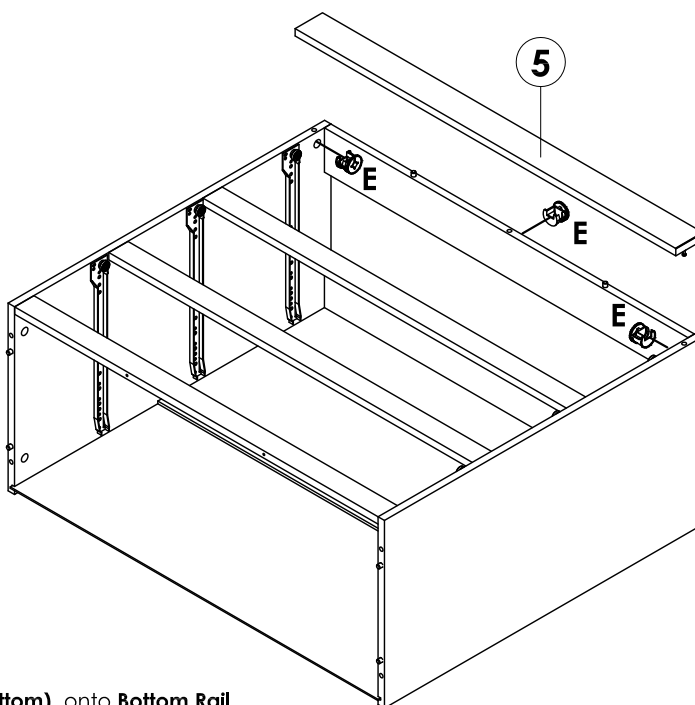


WHEN FITTING CAMS

ENSURE STARTING POSITION IS CORRECT BEFORE YOU INSERT CONNECTING BOLT TURN CLOCKWISE UNTIL SECURE.

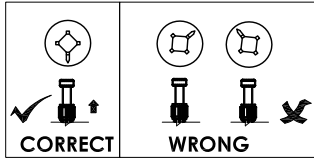
E		3
---	---	---

DO NOT use any power tools as this may damage the bed frame and will invalidate any claim.



Attach and secure **Front Rail (Bottom)** onto **Bottom Rail (Front), Side Panel (Left), Side Panel (Right)** and insert **(E)** tighten it up by using a Crosshead Screw Driver.

STEP 6

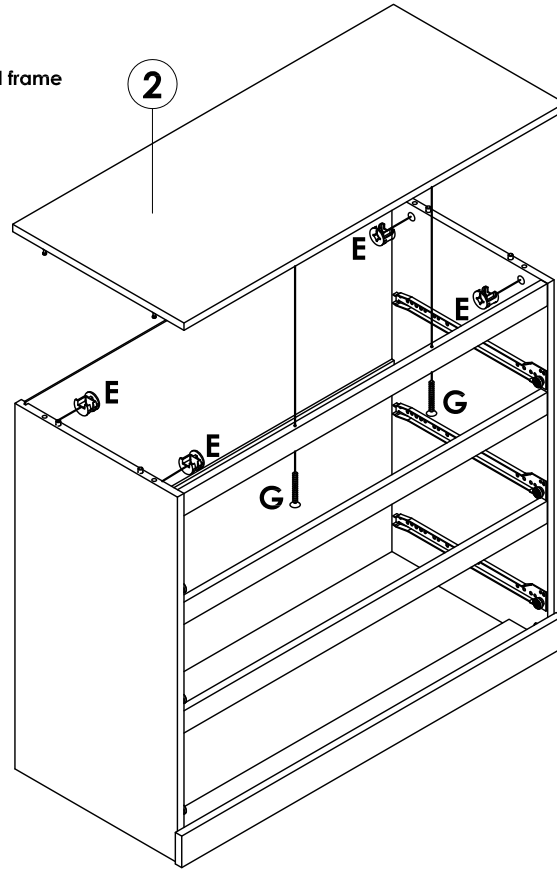


WHEN FITTING CAMS

ENSURE STARTING POSITION IS CORRECT BEFORE YOU INSERT CONNECTING BOLT TURN CLOCKWISE UNTIL SECURE.

E		4
G		2

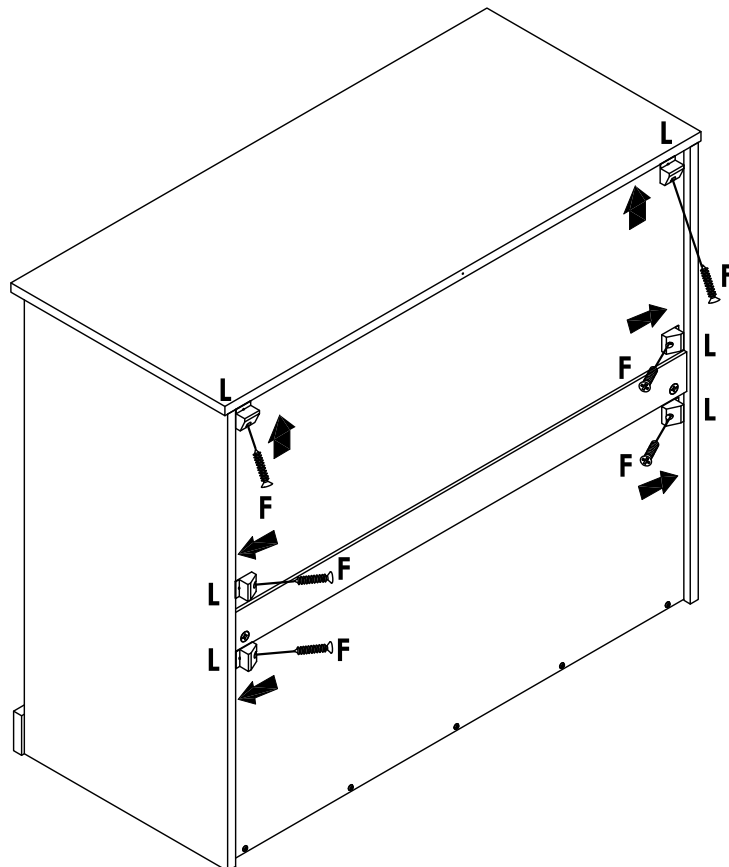
DO NOT use any power tools as this may damage the bed frame and will invalidate any claim.



Attach and secure **Top Panel** onto **Side Panel (Left)** and **Side Panel (Right)** by using **(E)** and **(G)**, tighten it up by using a Crosshead Screw Driver.



STEP 7 DO NOT use any power tools as this may damage the bed frame and will invalidate any claim.

F		6
L		6

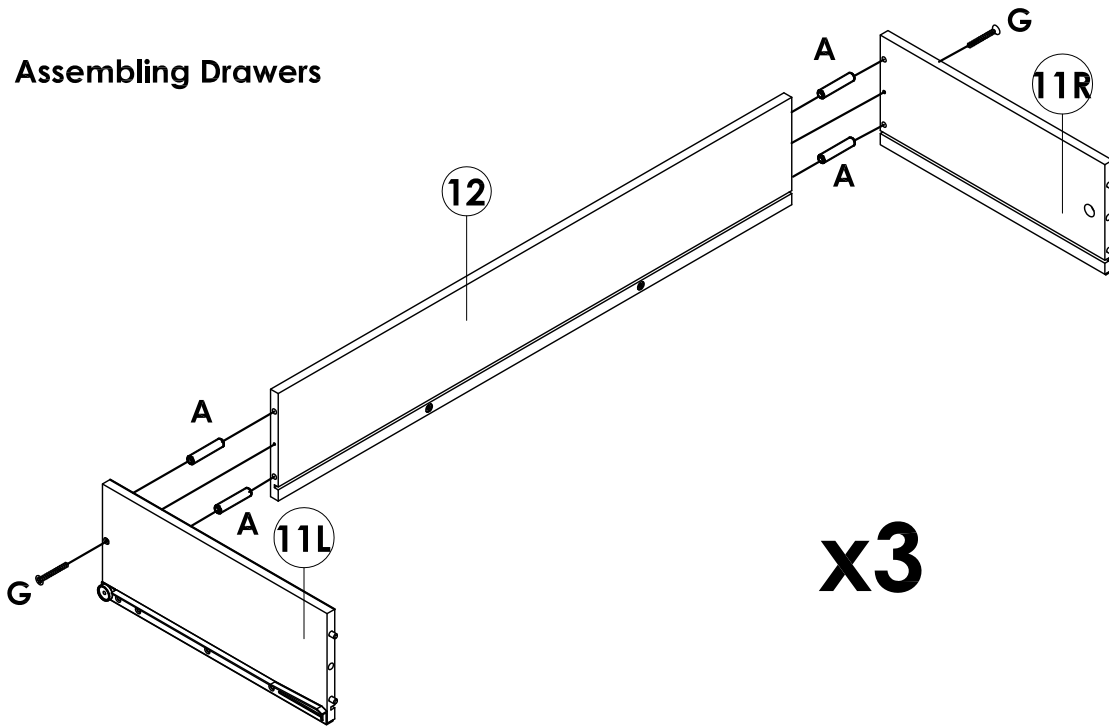


Attach and secure **(L)** on sides pointed by arrows on the drawing as shown by using **(F)**, tighten it up by using Crosshead Screw Driver.

STEP 8 DO NOT use any power tools as this may damage the bed frame and will invalidate any claim.

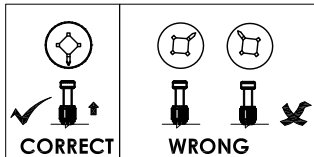
A		12
G		6

Assembling Drawers





Attach and secure **Drawer Side (Left)** and **Drawer Side (Right)** onto **Drawer Rear** by using (A) and (G) tighten it up by using a Crosshead Screw Driver.

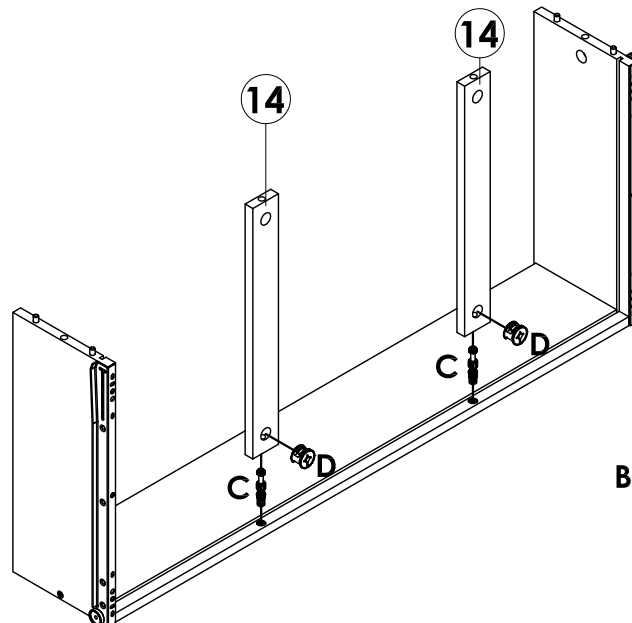
STEP 9



WHEN FITTING CAMS
ENSURE STARTING POSITION IS CORRECT BEFORE YOU INSERT CONNECTING BOLT TURN CLOCKWISE UNTIL SECURE.

C		6
D		6

DO NOT use any power tools as this may damage the bed frame and will invalidate any claim.

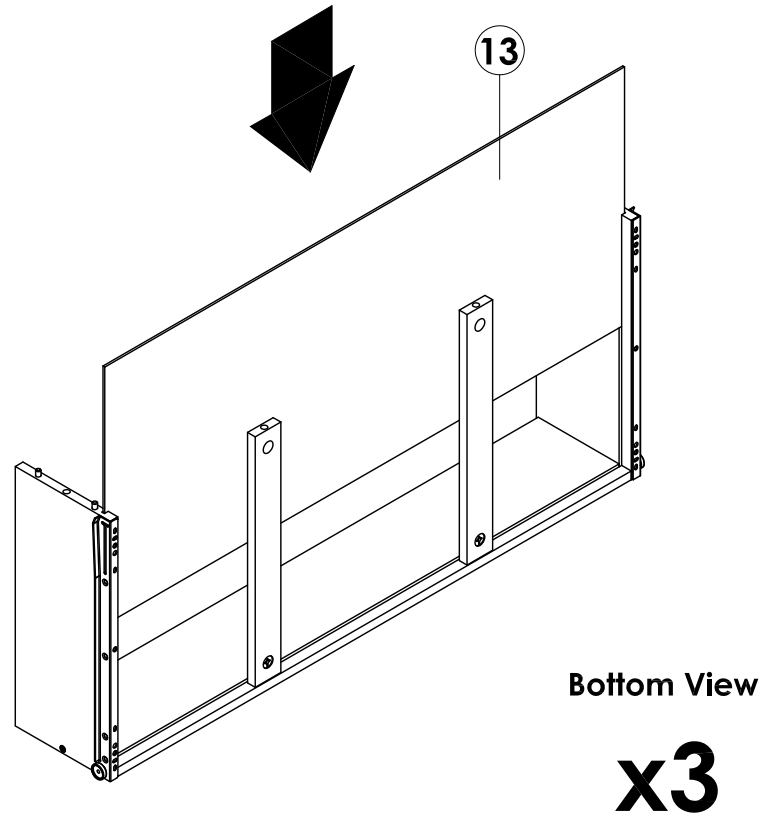


Bottom View

x3

Attach and Secure **Drawer Base Support** onto **Drawer Rear**, by using (C) and (D), tighten it up by using crosshead screw driver.

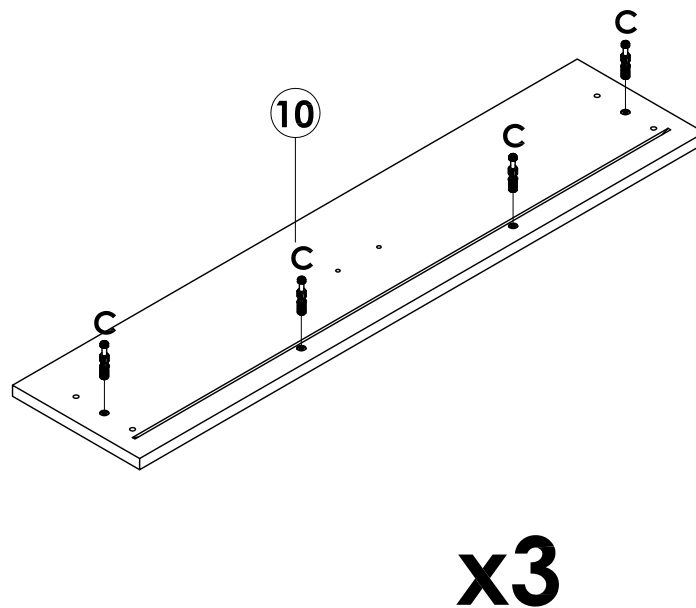
STEP 10



Slot **Drawer Base** into **Drawer Side (Left)** and **Drawer Side (Right)**.

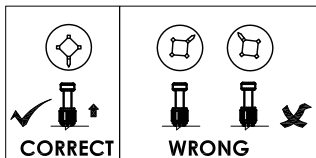
STEP 11 DO NOT use any power tools as this may damage the bed frame and will invalidate any claim.

C		12
---	---	----



Insert **(C)** into $\varnothing 10\text{MM}$ holes on **Drawer Face** by using crosshead screw driver.

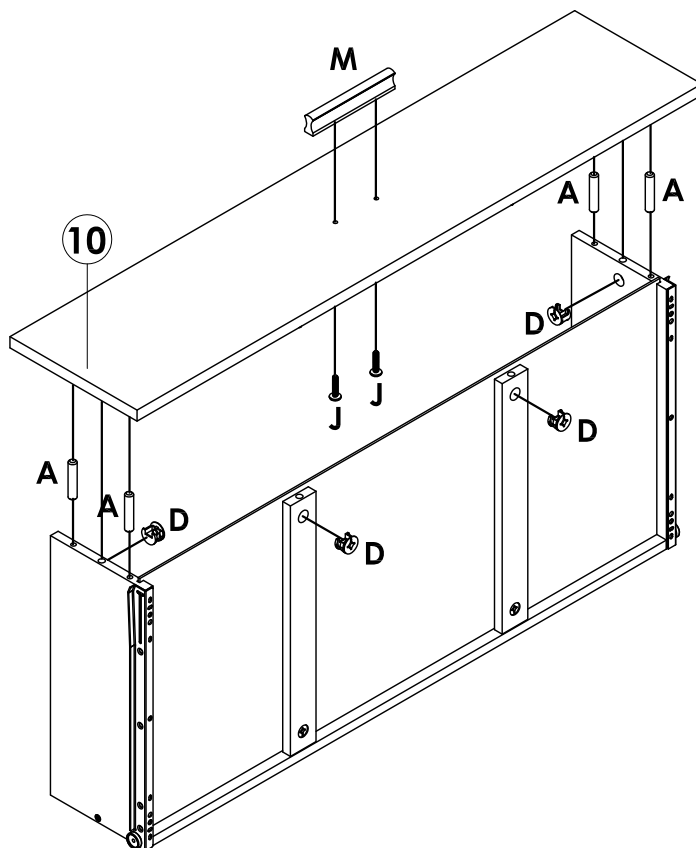
STEP 12



WHEN FITTING CAMS

ENSURE STARTING POSITION IS CORRECT
BEFORE YOU INSERT CONNECTING BOLT
TURN CLOCKWISE UNTIL SECURE.

A		12
D		12
J		6
M		3



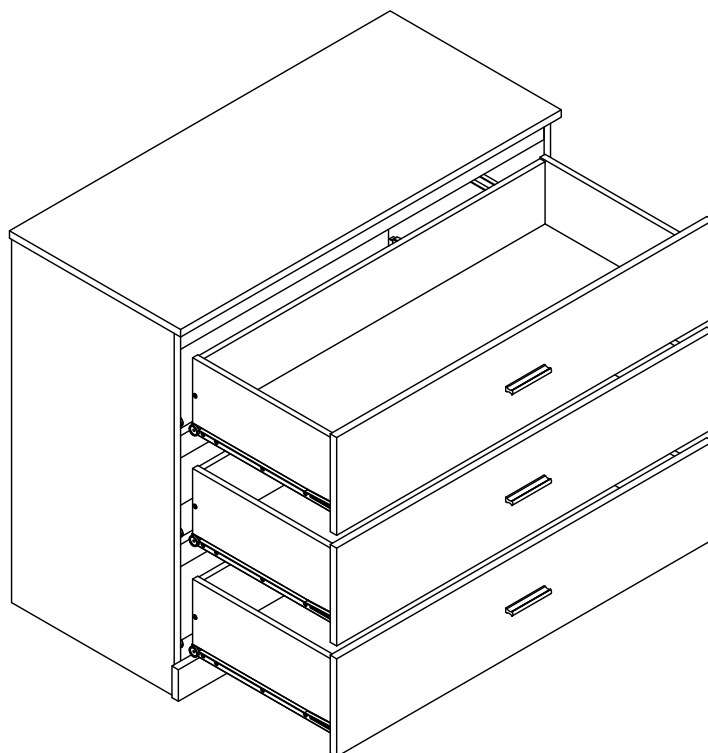
Bottom View

x3

Attach and Secure **Drawer Face** onto **Drawer Side (Left)** and **Drawer Side (Right)**, by using **(A)** and **(D)**, tighten it up by using crosshead screw driver.

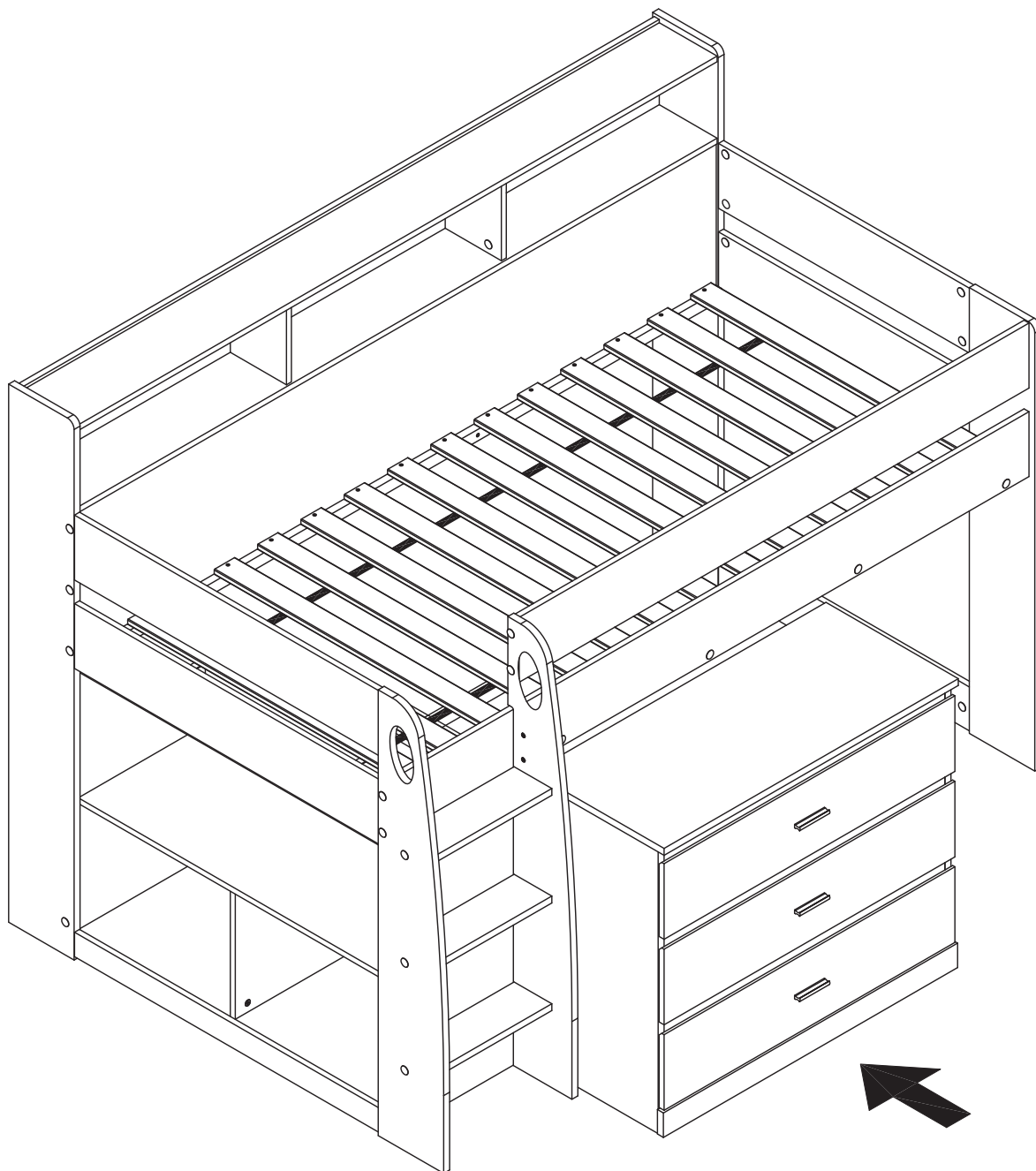
Follow that up by attaching and securing **(M)** onto **Drawer Face** by screwing **(J)** in from behind, tighten it up by using Crosshead Screw Driver.

STEP 13



Insert **Drawers** into **Body Frame**.

STEP 14



Insert **3 Drawers Chest** into underneath the mid **Midsleeper**.
Go on to complete the entire assembly.