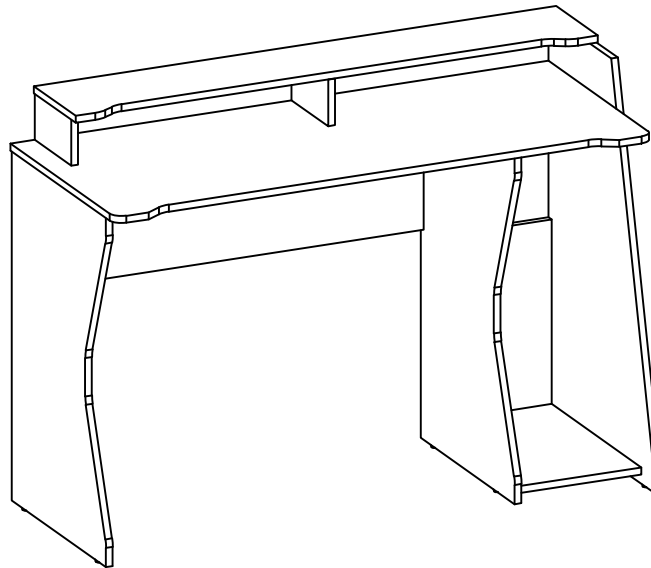




Assembly Instructions

FLAIR POWER CRIMSON GAMING DESK



Important before assembly:

Please read through the instructions carefully before beginning assembly for this product. Before beginning assembly please check the contents of the boxes. These instructions will have a checklist for all of the parts and fittings required.

To avoid damaging parts it is recommended to place a rug or carpet on the floor where you will be assembling this product. Try to assemble the product as close as possible to its final location to avoid having to move it.

DO NOT use power tools as they may cause damage to the product.

Health & Safety:

When lifting heavy products please use assistance.

Small parts must be kept away from children.

Always assemble on a level, even surface.

DO NOT jump on any parts of this product or the final product.

DO NOT use this product with parts missing/damaged.

DO NOT use this product until all fixings are secured.

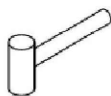
It is advised to keep these instructions for future reference.



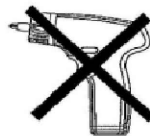
Required tools



Philips Head Screwdriver



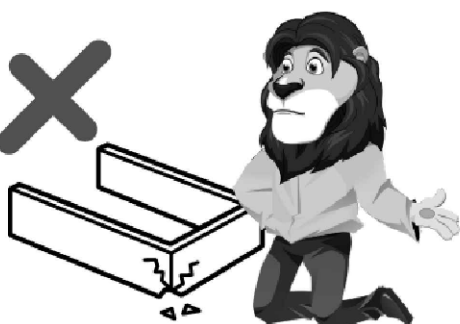
Soft Head Mallet



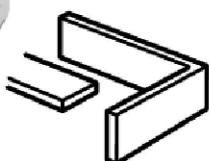
WARNING USING POWER TOOLS TO ASSEMBLE THIS BED IS STRONGLY UNADVISED AS IT MAY BE UNSAFE. THE USE OF THESE WILL INVALIDATE ANY CLAIM.



Some parts of this product may be heavy. Please use another person to assist you with lifting.

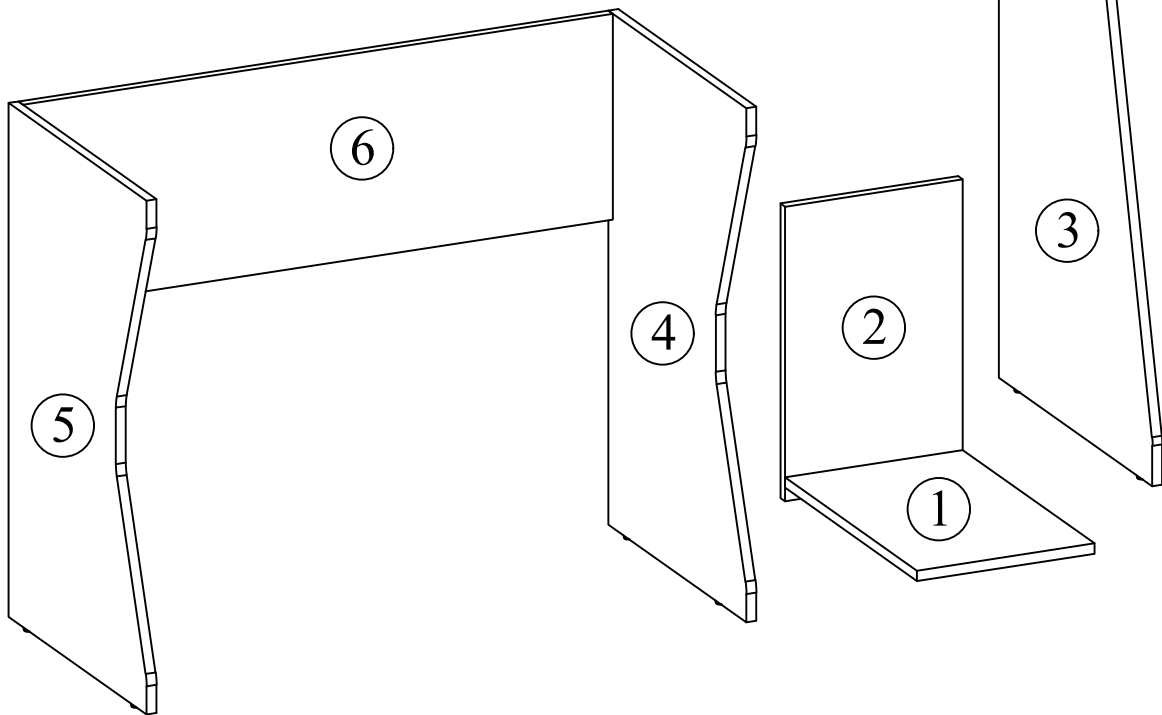
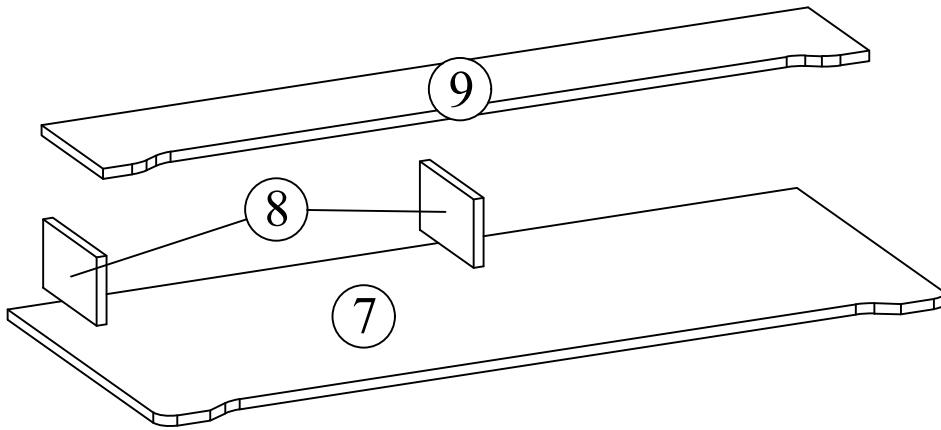
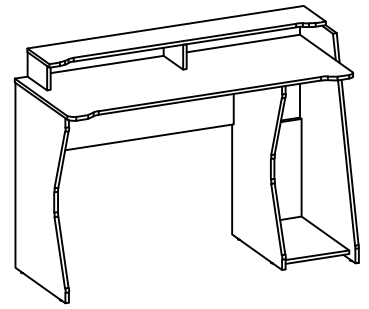
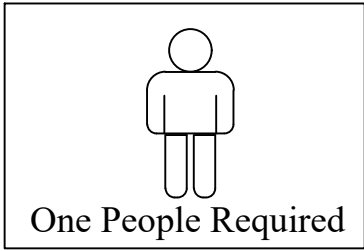


Dragging or pushing pieces of this bed across a hard floor can cause damage to the parts and joints. Please use a rug or carpet to prevent this.



If you have problems assembling or have damaged or missing pieces, please contact us at

orders@flairbeds.co.uk



PARTS LIST







Carton 1 of 1:

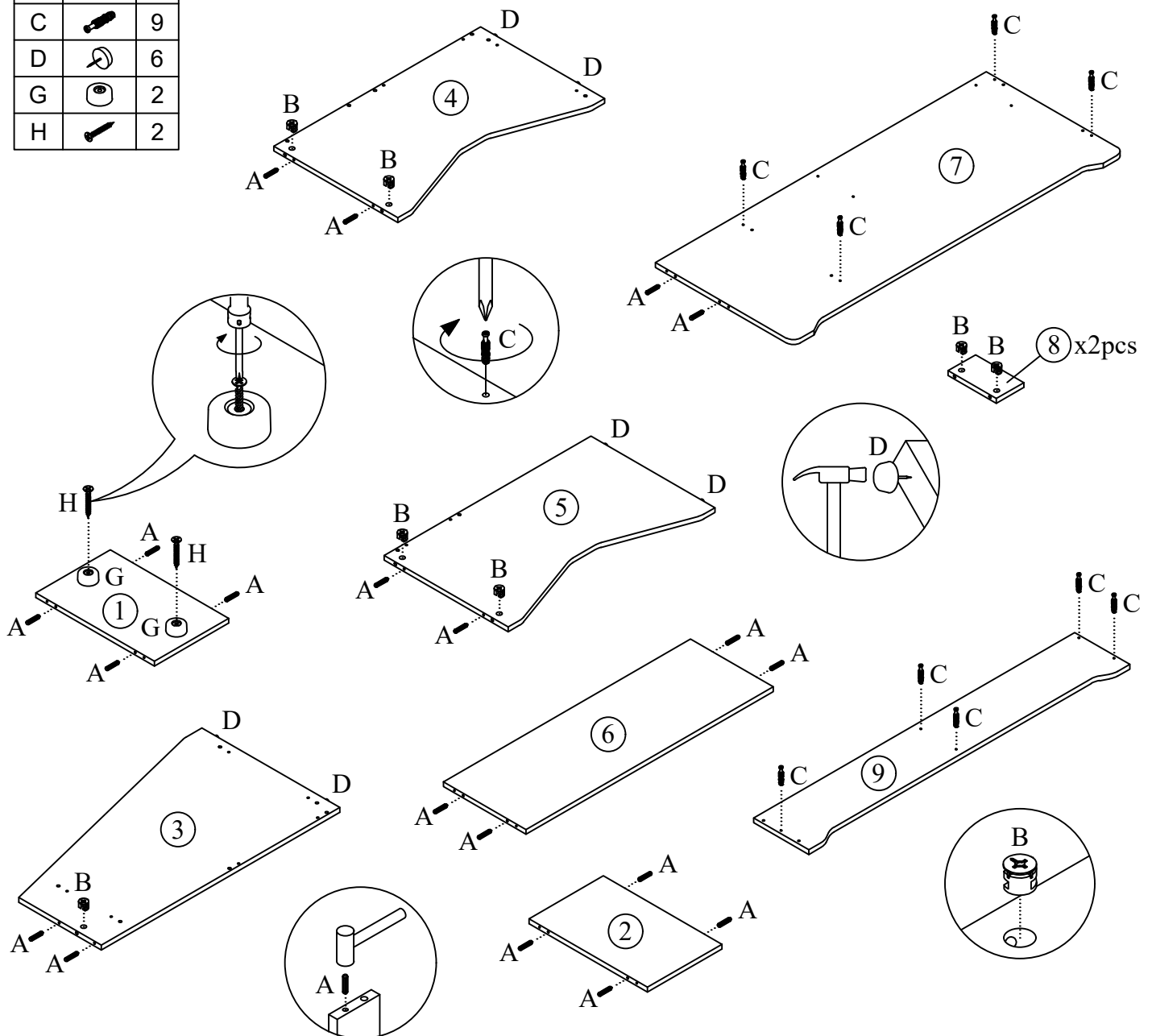
Part	Description	Qty
1	Bottom Panel	1
2	Support Panel	1
3	Right Panel	1
4	Divider Panel	1
5	Left Panel	1
6	Table Support Panel	1
7	Table Panel	1
8	Table Top Support Panel	2
9	Table Top Panel	1


HARDWARE LIST: Carton 1 of 1

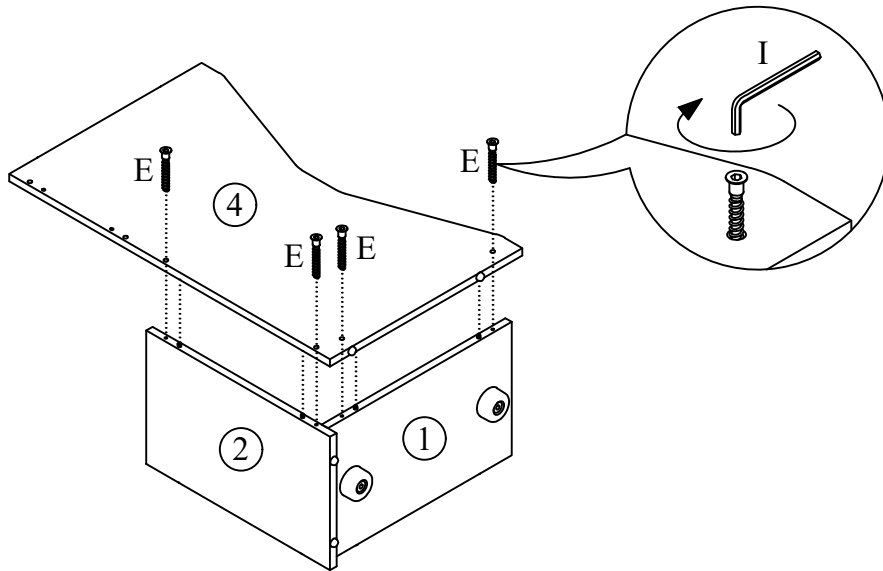
Part	Description	Qty
A	WOOD DOWEL M6 x 25mm	20
B	CAM NUT 15mm	9
C	CAM BOLT	9
D	PVC NAIL 5/8"	6
E	M5 x 40mm UNITAR SCREW	14
F	CSK SCREW M4 x 45 mm	4
G	PVC LEG AC-55	2
H	CSK SCREW M4 x 30 mm	2
I	ALLEN KEY M6	1


1

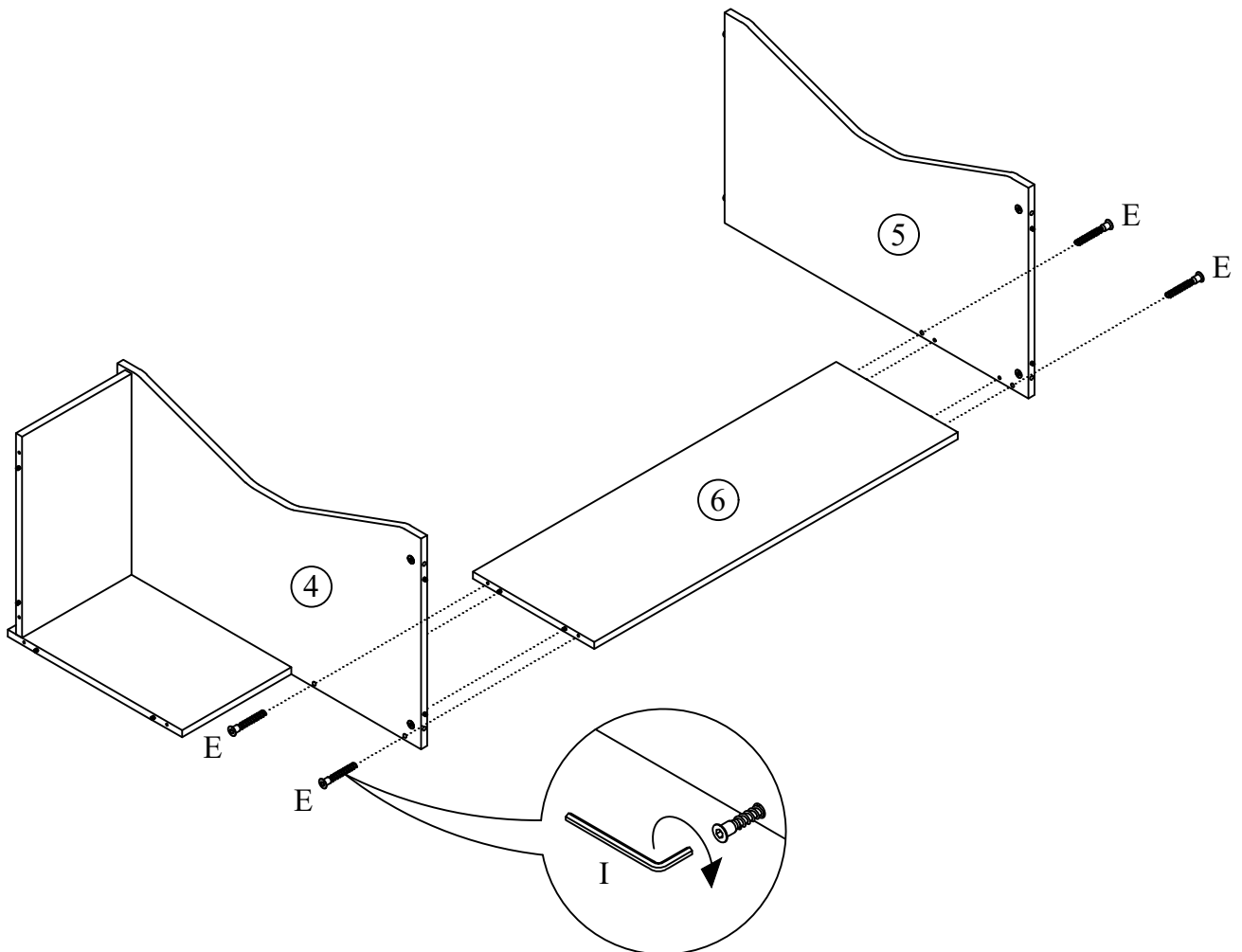
A		20
B		9
C		9
D		6
G		2
H		2



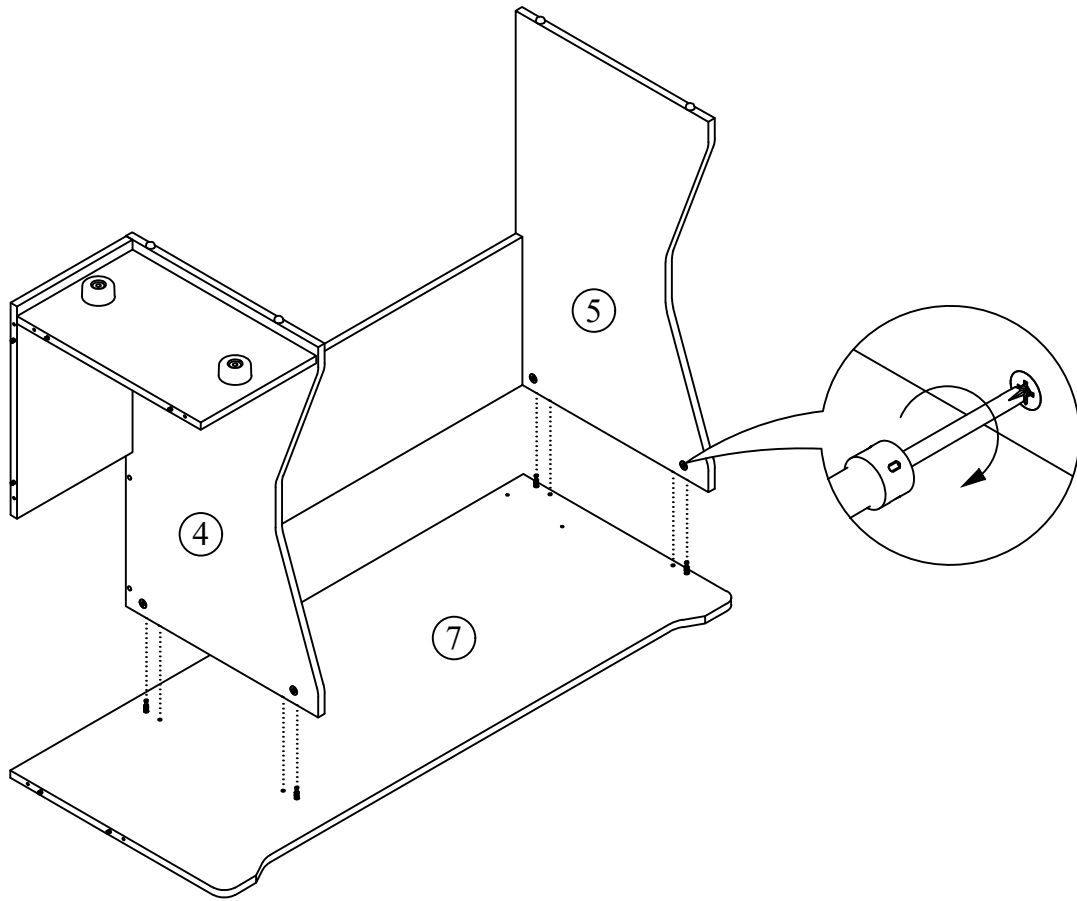
2 E  4



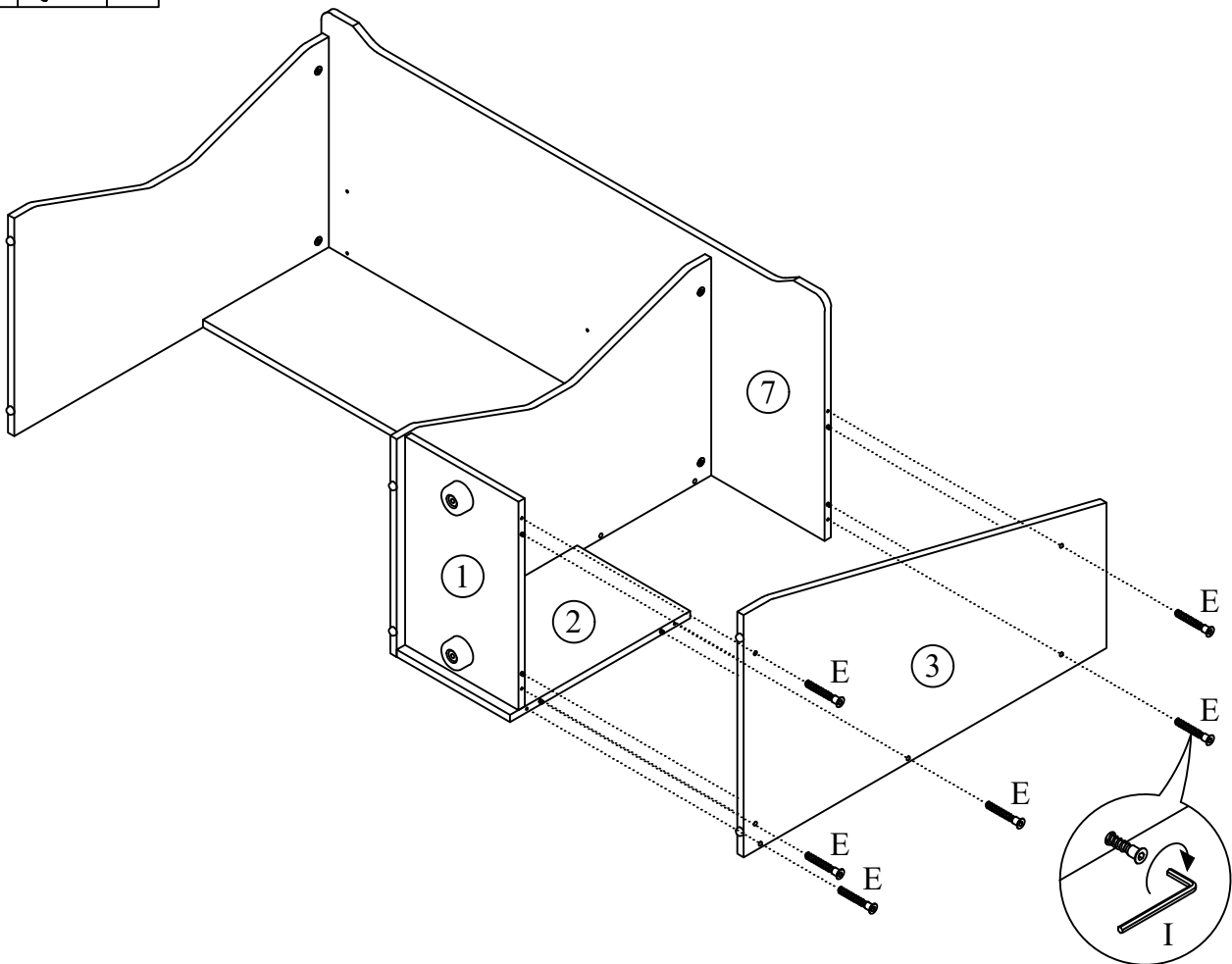
3 E  4



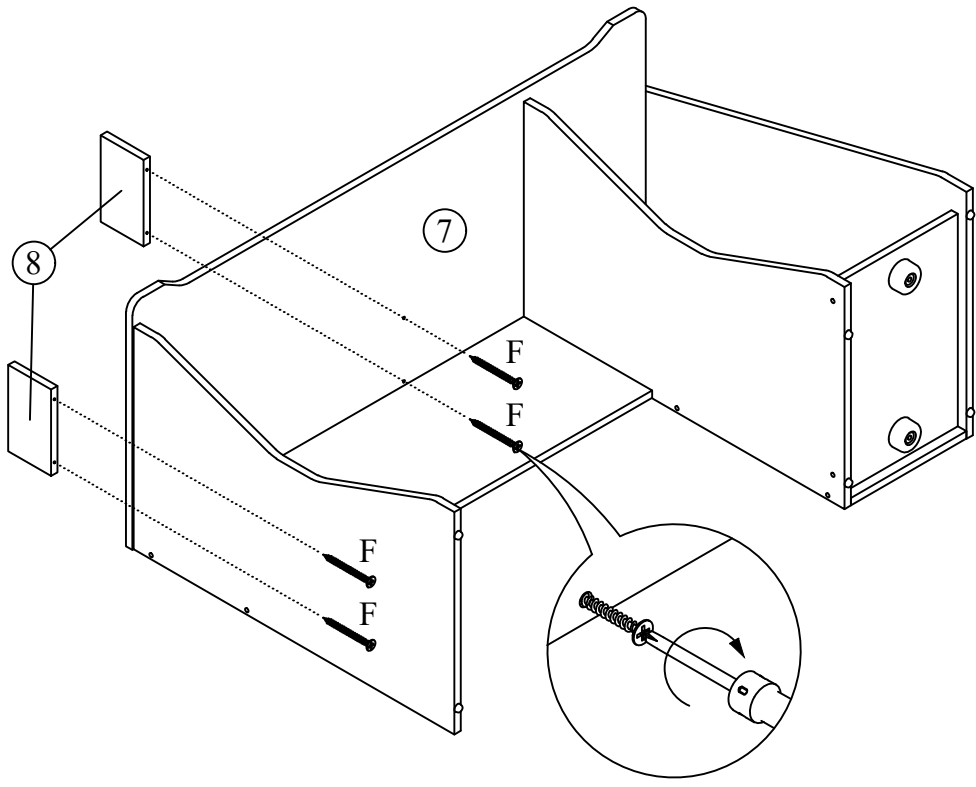
4



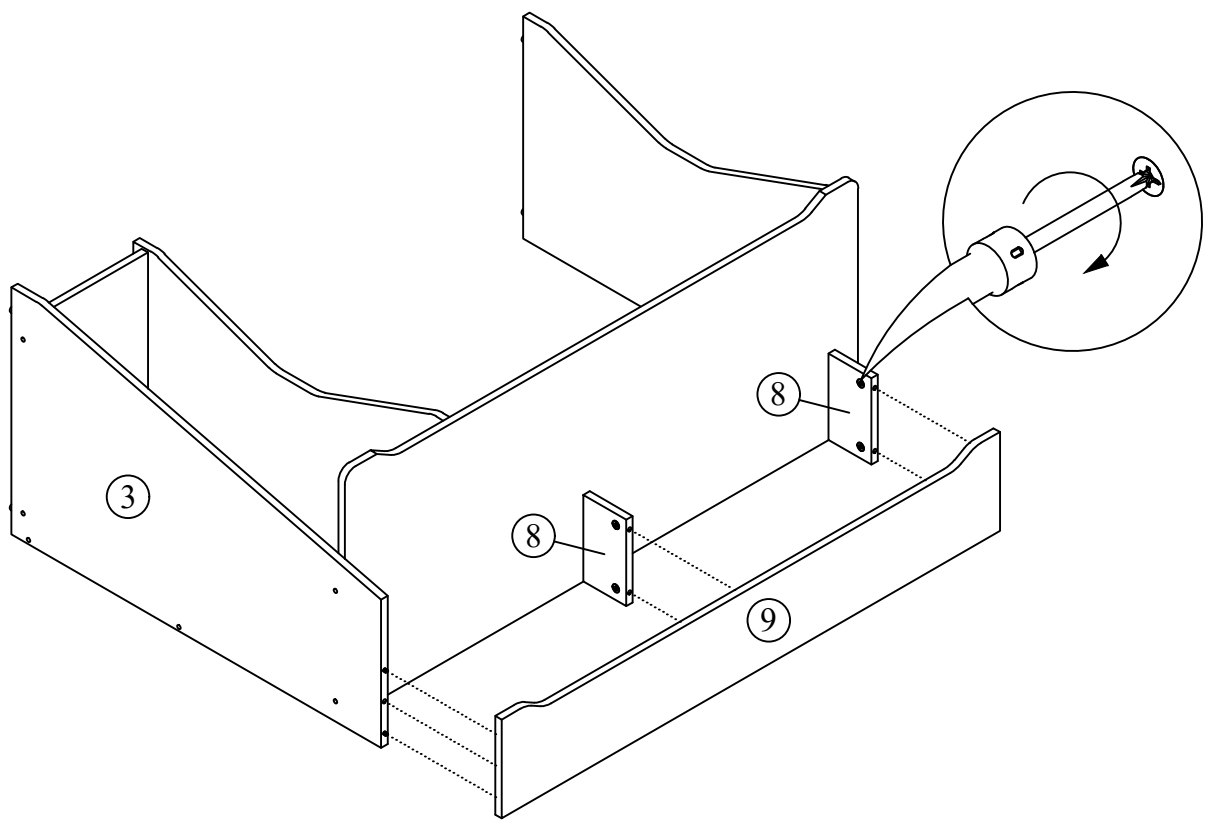
5

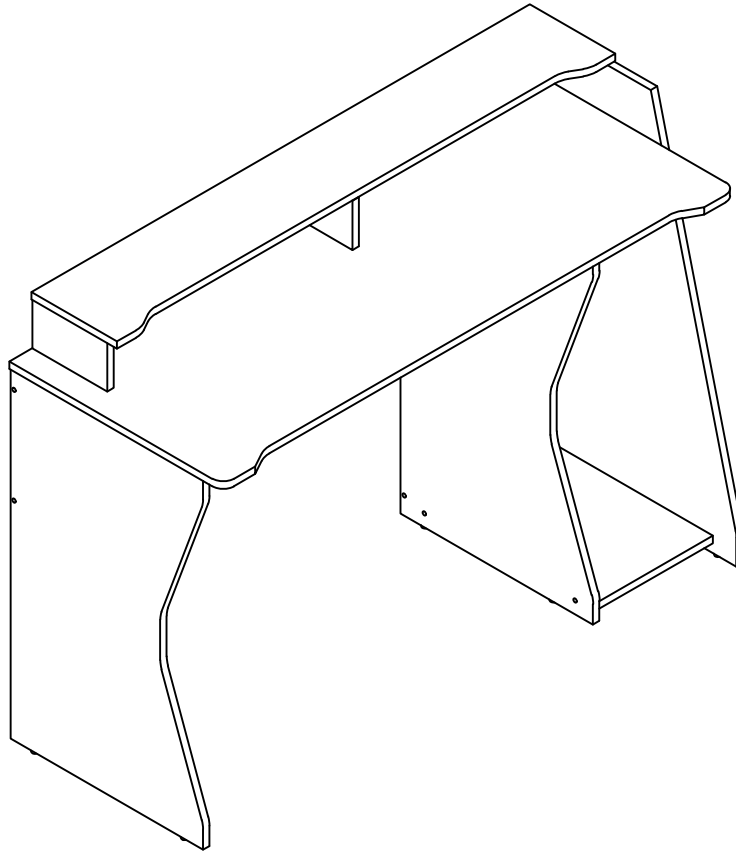


6



7





Please dispose of packaging safely and responsibly.

Care & Maintenance Of Your Product

Gently wipe clean with a slightly damp cloth.

Household cleaners and abrasives can cause damage to the product.

Tighten all screws periodically to guarantee they are secure.

To move the product lift it into place. Pushing or dragging the product across a floor will cause damage to it. If the product is assembled on a hard floor, it is advised to place protection under the legs to prevent the product from moving. If these guidelines are not followed it may invalidate the warranty.

Notes

This product has been designed to be as easy to assemble as possible. In the event that you run into issues putting the bed together or have damaged/missing pieces, please contact us at:

orders@flairbeds.co.uk

or

01924 950955

www.flairbeds.co.uk

Flair
furnishings