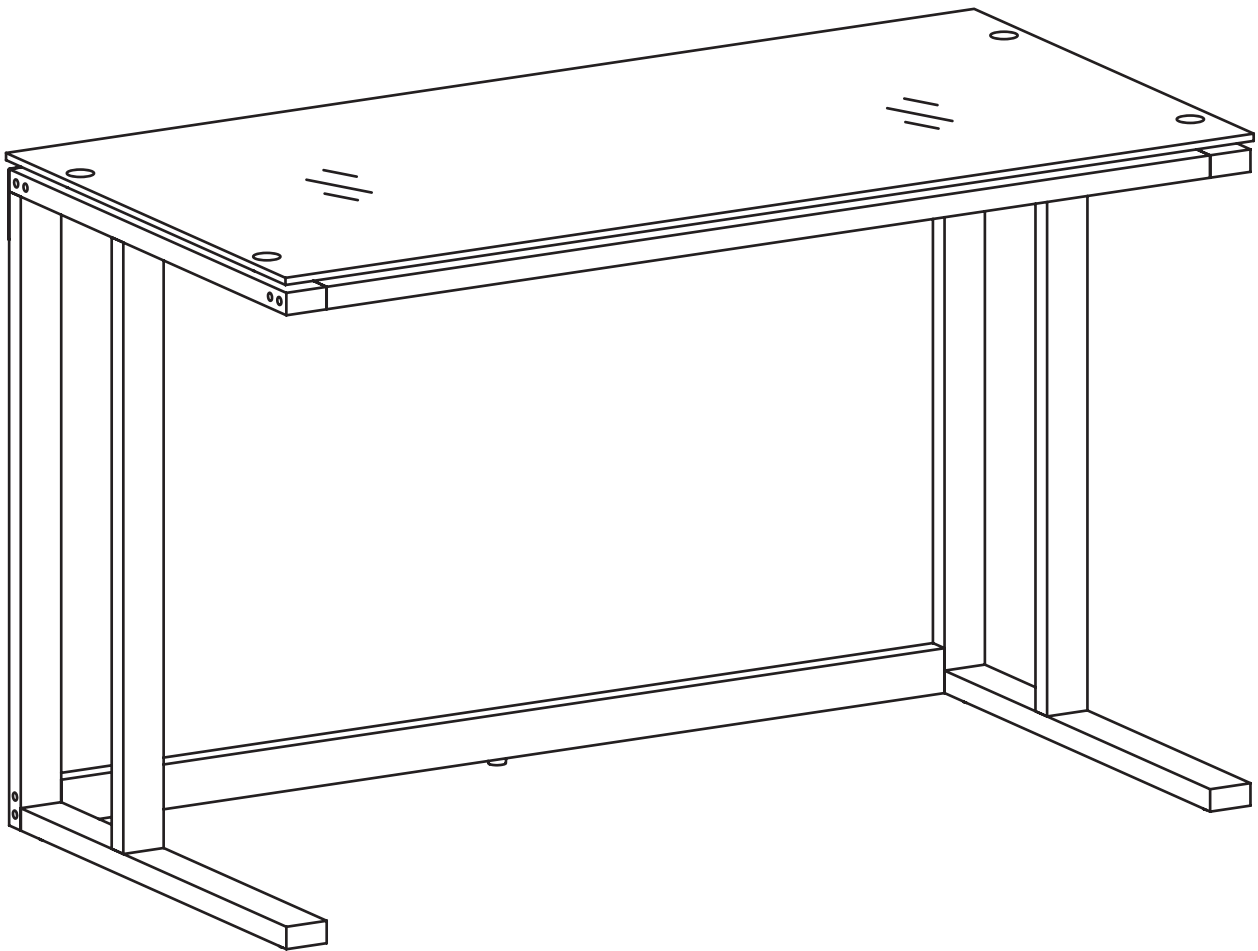


53385

Q14783-IS_r4



Customer services:



01942 524 100



cseurope@dorel.com



Dorel Home Furnishings Ltd.
Building 4, Imperial Place, Maxwell Road,
Borehamwood WD6 1JN United Kingdom.

REFERENCE NO:

Please retain this booklet as you will
be asked to quote this number for any
warranty or product related queries

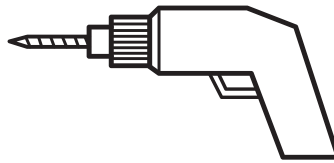
53385

Thank you for purchasing this desk. Please read the instructions carefully before use to ensure safe and satisfactory operation of this product.

Pre-assembly preparation

Please ensure instructions are read in full before attempting to assemble this product

Necessary Tools



Note: Some of the tools shown here are optional and are required only for quick assembly of this product

Please check the pack contents before attempting to assemble this product. A full checklist of components is given in this leaflet. If any components are missing, please contact the retailer from whom you bought this product.

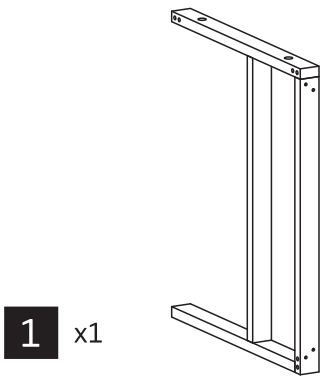
This product is **HEAVY**, it should be assembled as near as possible to the point of use. **TAKE CARE WHEN LIFTING** to avoid personal injury and (or) damage to the product.

This product takes approximately **15 MINUTES** to assemble with **1 PERSON**.

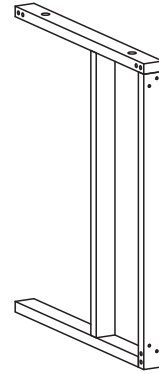
The fittings pack contains **SMALL ITEMS** which should be **KEPT AWAY FROM YOUNG CHILDREN**.

Read this leaflet in full before commencing assembly.

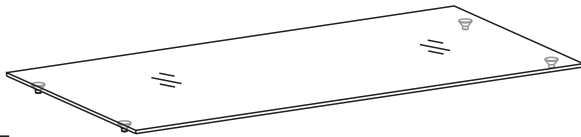
53385



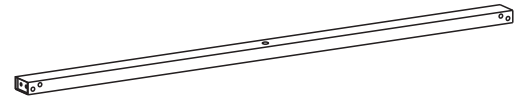
1 x1



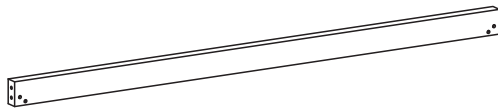
2 x1



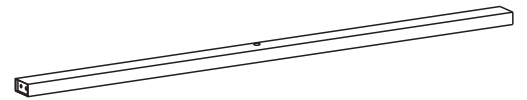
3 x1



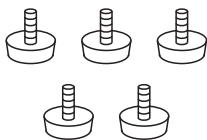
4 x1



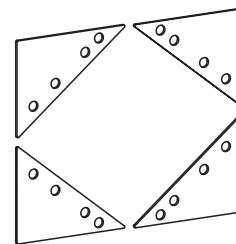
5 x1



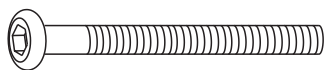
6 x1



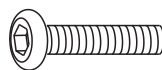
7 x5



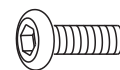
8 x4



A x12 (M6 x 70mm)



B x4 (M6 x 25mm)



C x16 (M6x12mm)



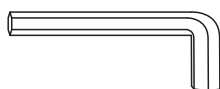
D x32 (Ø10mm)



E x2 (Φ14X4 MM)

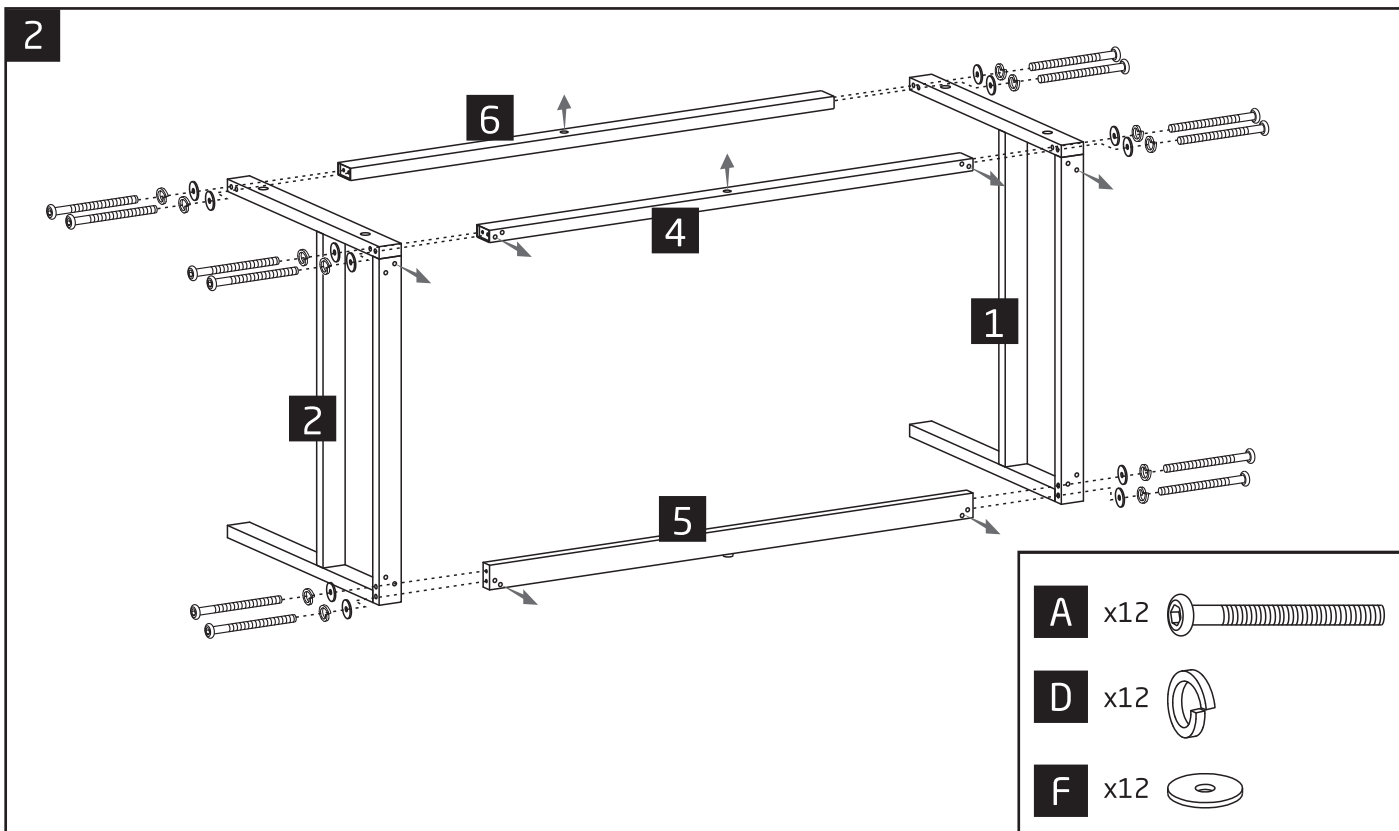
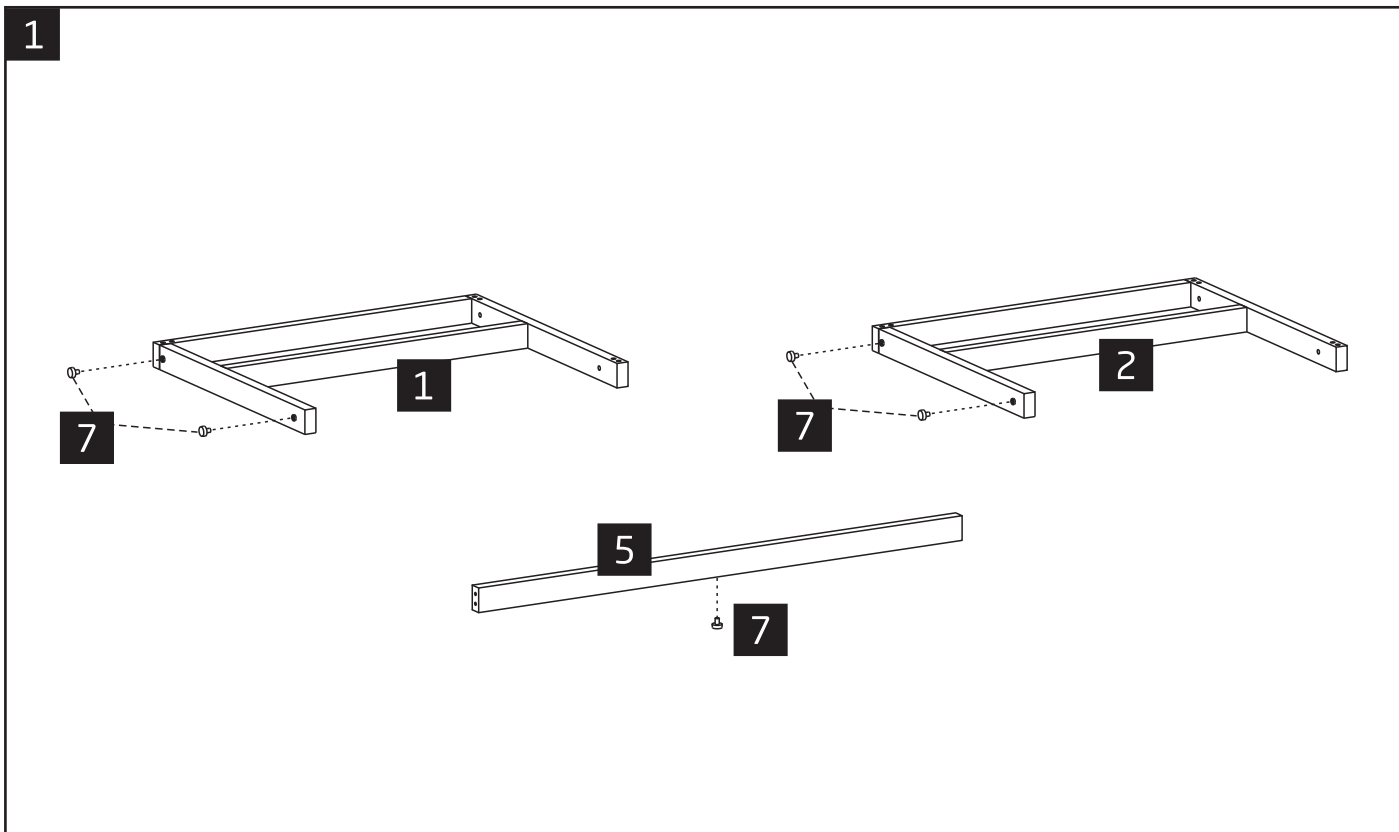


F x16 (Ø16mm)

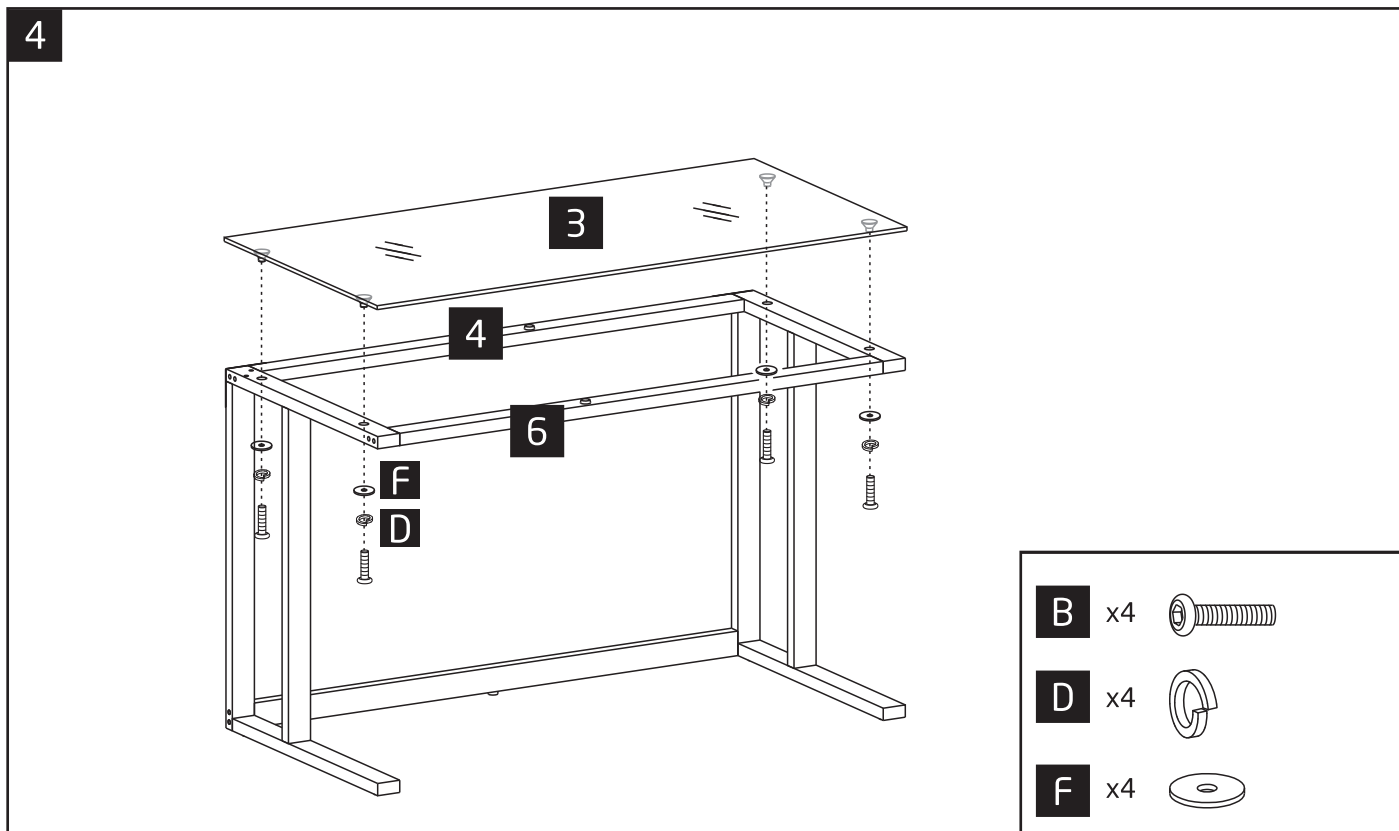
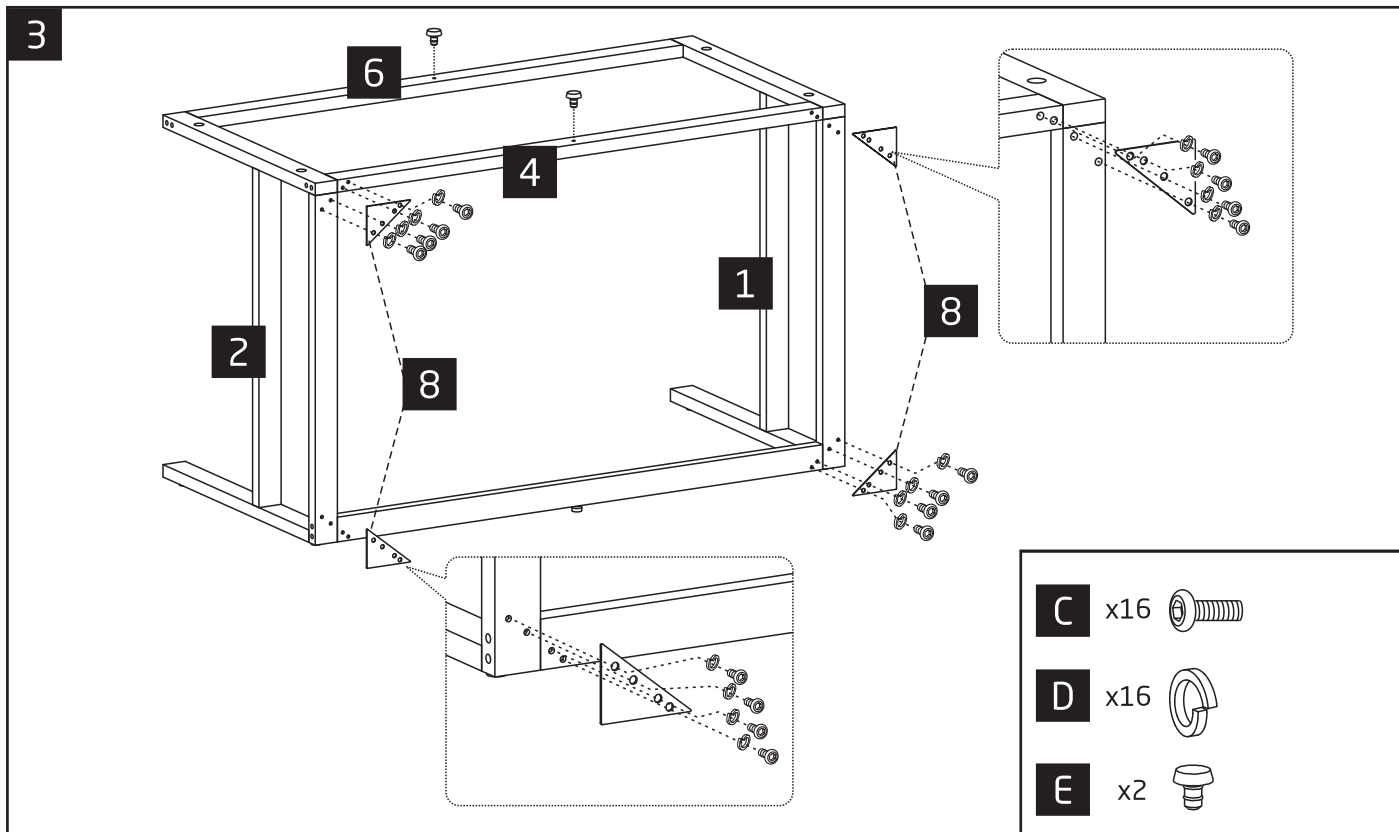


x1

53385



53385



53385

Glass and acrylic furniture

Use glass cleaner or soapy water for cleaning, do not use anything abrasive as this may damage the surface of the product.

Protect surfaces from scratches and marks by using mats and coasters.

Metal and leather

Protect leather from spillage, sunlight and heat. A slightly damp cloth is the best cleaning agent for both materials.

Do not use any abrasive cleaner or harsh detergent as this can damage the surface. Care for the leather with leather conditioner. We recommend applying leather conditioner before using the furniture for the first time.

Avoid spilling or dropping crumbs of food with a high fat content on the surface as this can permanently mark the leather

Safety Instructions

Never drag furniture when moving it, always lift it.

Periodically check all fixings to ensure none have come loose and re-tighten where necessary.

Please take care when handling or moving the furniture as careless handling may cause damage or injury.

Furniture can be dangerous if incorrectly installed. Assembly should be carried out by a competent person. No liability will be accepted for damage or injury caused by incorrectly installed or assembled furniture.

It is recommended that before moving heavy objects to a new location they are completely dis-assembled to avoid personal injury or damage to the furniture. Please be careful to retain all fittings when doing this.

WARNING:

a) Do not place very hot or very cold items on the glass surface(s) unless adequately thick table mats are used to prevent such items from coming into contact with the glass.

b) Do not sit or stand upon the glass surface(s)

c) Do not use the glass as a chopping surface. Do not strike the glass with hard or pointed items.

d) When cleaning glass panels use a damp cloth or leather with washing up liquid or soft soap if necessary; do not use washing powders or any other substances containing abrasives since these substances scratch glass.

This product complies to BS EN 12521 & EN 12521

PLEASE KEEP THESE INSTRUCTIONS FOR FUTURE REFERENCE