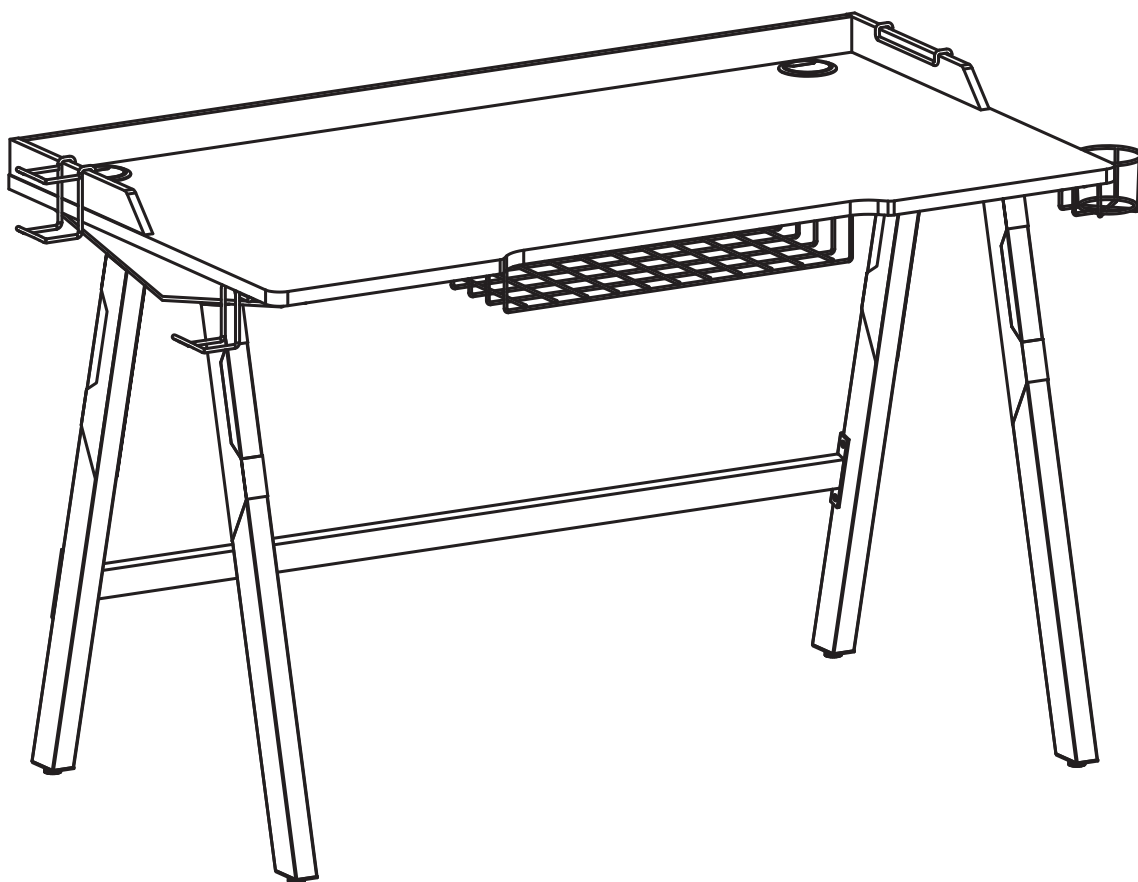


# AW9230



## Customer services:



01942 524 100



[cseurope@dorel.com](mailto:cseurope@dorel.com)



Dorel Home Furnishings Ltd.  
Building 4, Imperial Place, Maxwell Road,  
Borehamwood WD6 1JN United Kingdom.

REFERENCE NO:

Please retain this booklet as you will be asked  
to quote this number for any warranty or  
product related queries

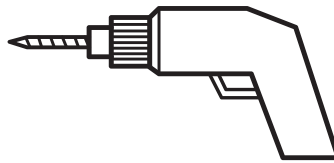
# AW9230

**Thank you for purchasing this desk. Please read the instructions carefully before use to ensure safe and satisfactory operation of this product.**

## **Pre-assembly preparation**

Please ensure instructions are read in full before attempting to assemble this product

## **Necessary Tools**



Note: Some of the tools shown here are optional and are required only for quick assembly of this product

Please check the pack contents before attempting to assemble this product. A full checklist of components is given in this leaflet. If any components are missing, please contact the retailer from whom you bought this product.

This product is **HEAVY**, it should be assembled as near as possible to the point of use. **TAKE CARE WHEN LIFTING** to avoid personal injury and (or) damage to the product.

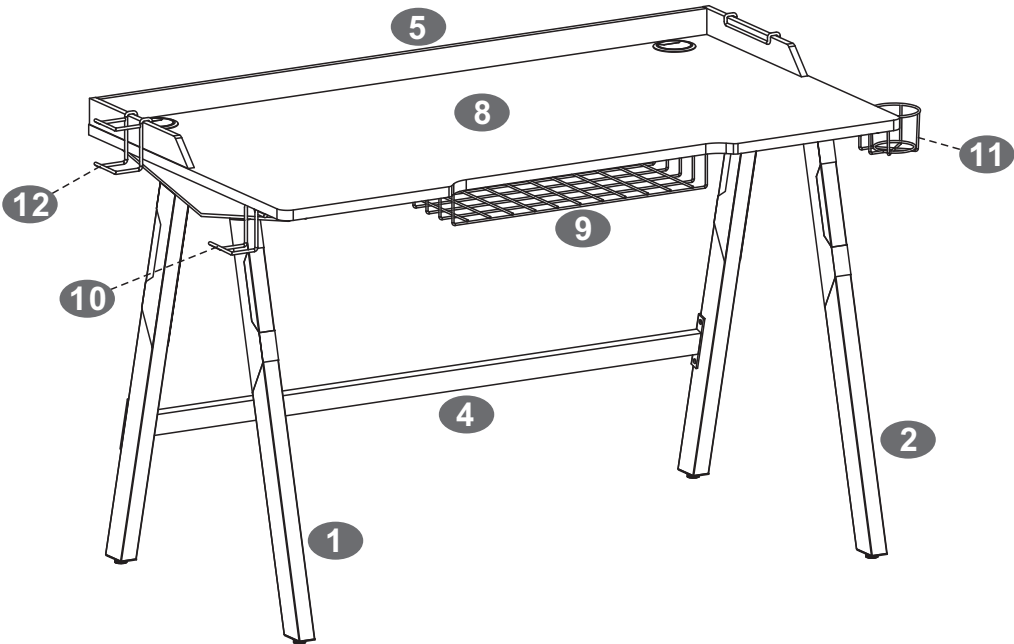
This product takes approximately **30 MINUTES** to assemble with **2 PEOPLE**.

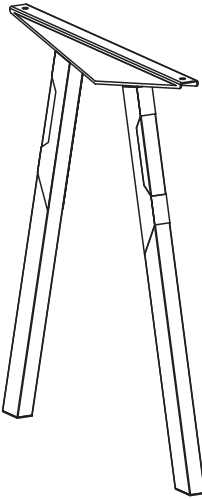
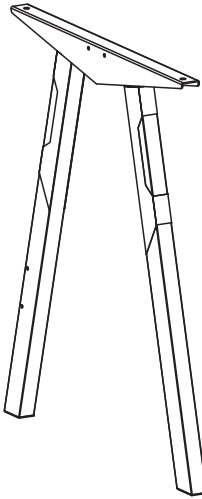

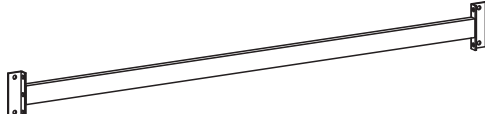

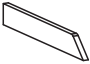
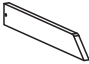
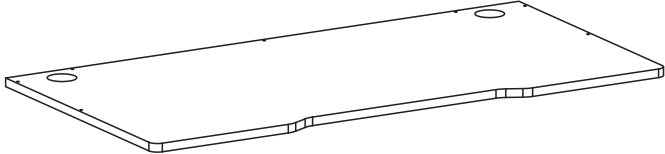
The fittings pack contains **SMALL ITEMS** which should be **KEPT AWAY FROM YOUNG CHILDREN**.

Read this leaflet in full before commencing assembly.

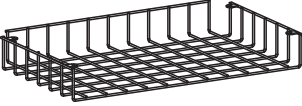
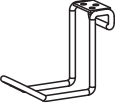


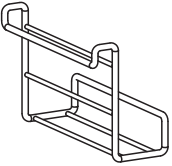


# AW9230

## ■ PARTS LIST




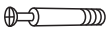





 X1	 X1	 X1
		 X1
		 X1
 X1	 X1	 X1

# AW9230

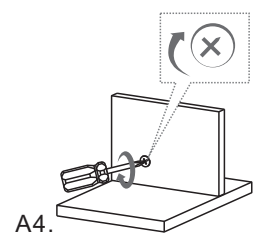
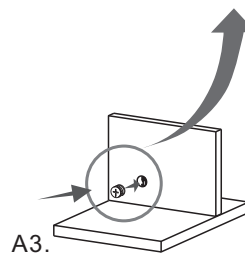
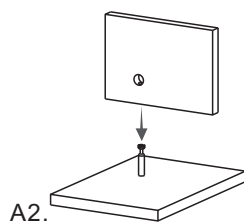
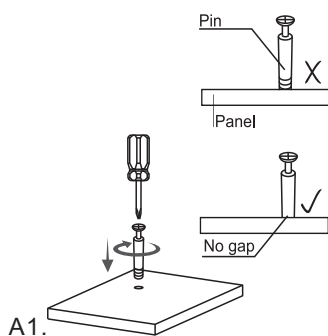
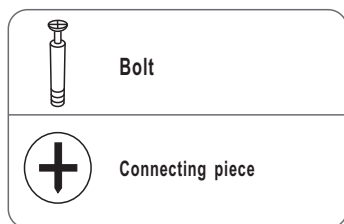
<p>9</p>  <p>X1</p>	<p>10</p>  <p>X1</p>	<p>11</p>  <p>X1</p>	<p>12</p>  <p>X1</p>
<p>13</p>  <p>X1</p>	<p>14</p>  <p>X2</p>	<p>15</p>  <p>X4</p>	

# AW9230

## ▪SCREWS LIST

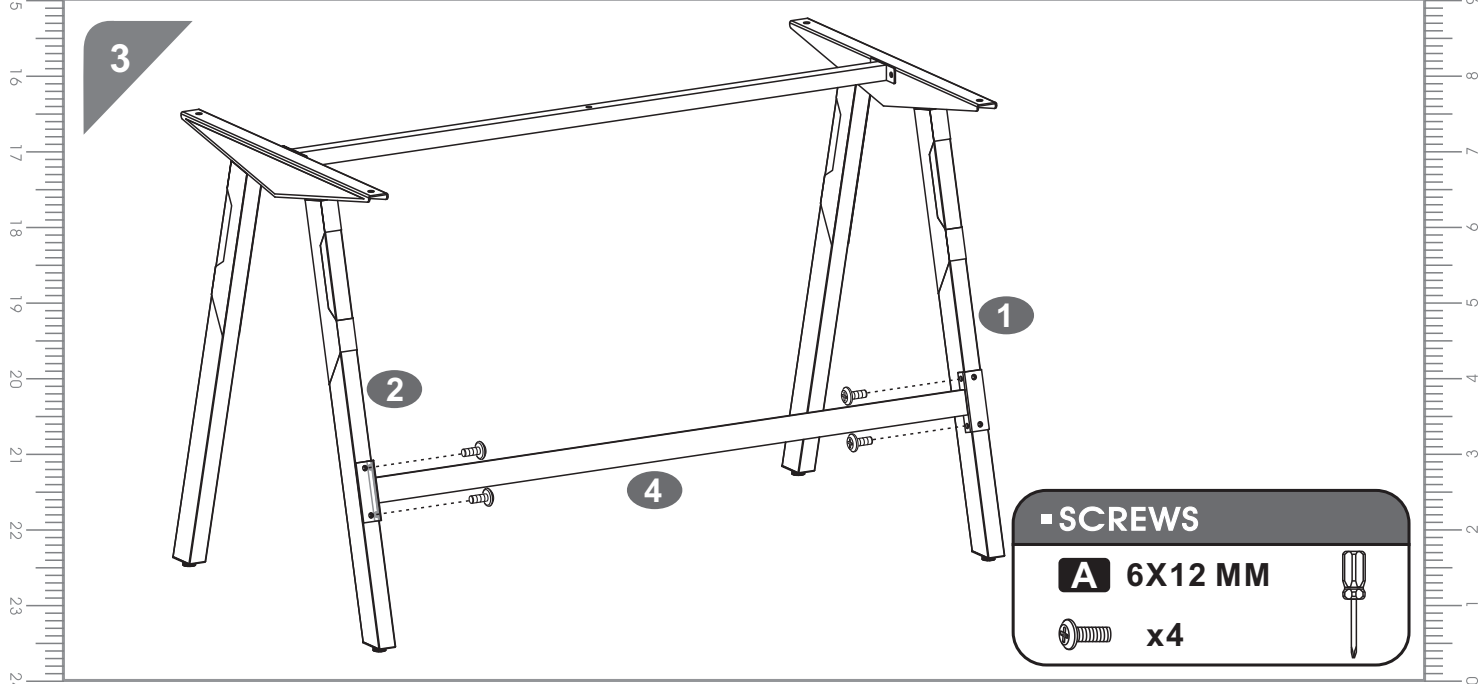
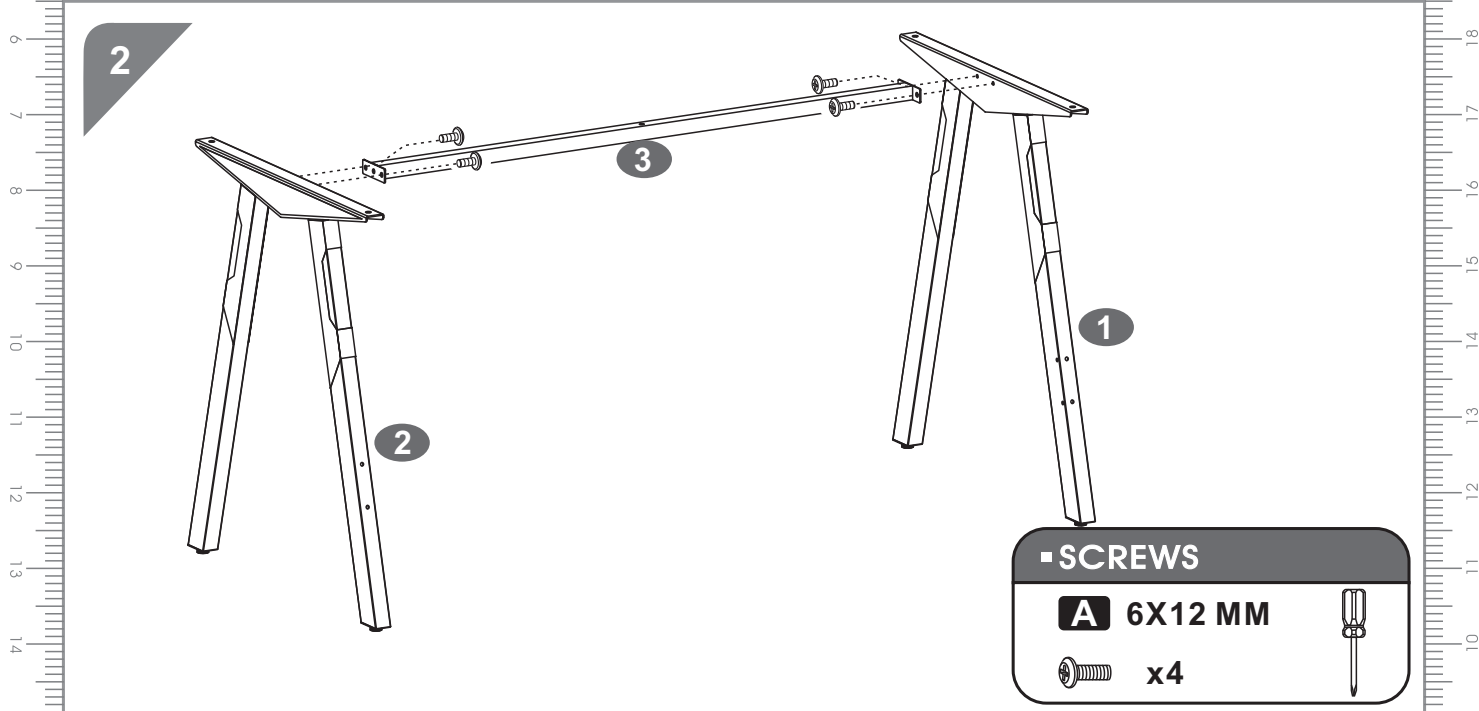
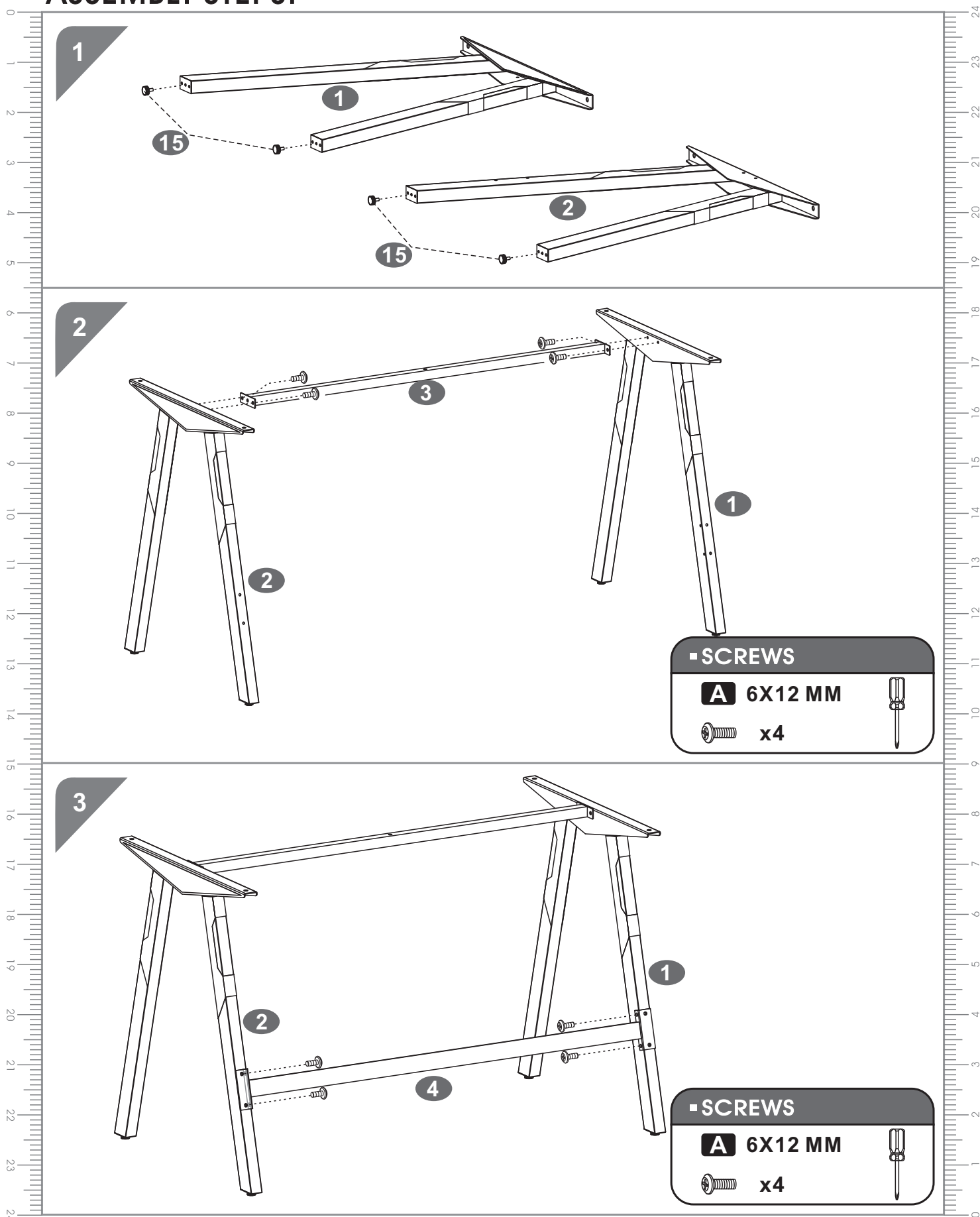
PART	QTY.	ITEM		PART	QTY.	ITEM	
<b>A</b>	16	6X12 MM		<b>E</b>	2	6X25 MM	
<b>B</b>	1	6X35 MM		<b>F</b>	2	Φ 12 MM	
<b>C</b>	10	4X14 MM			1		
<b>D</b>	7	5X40 MM					

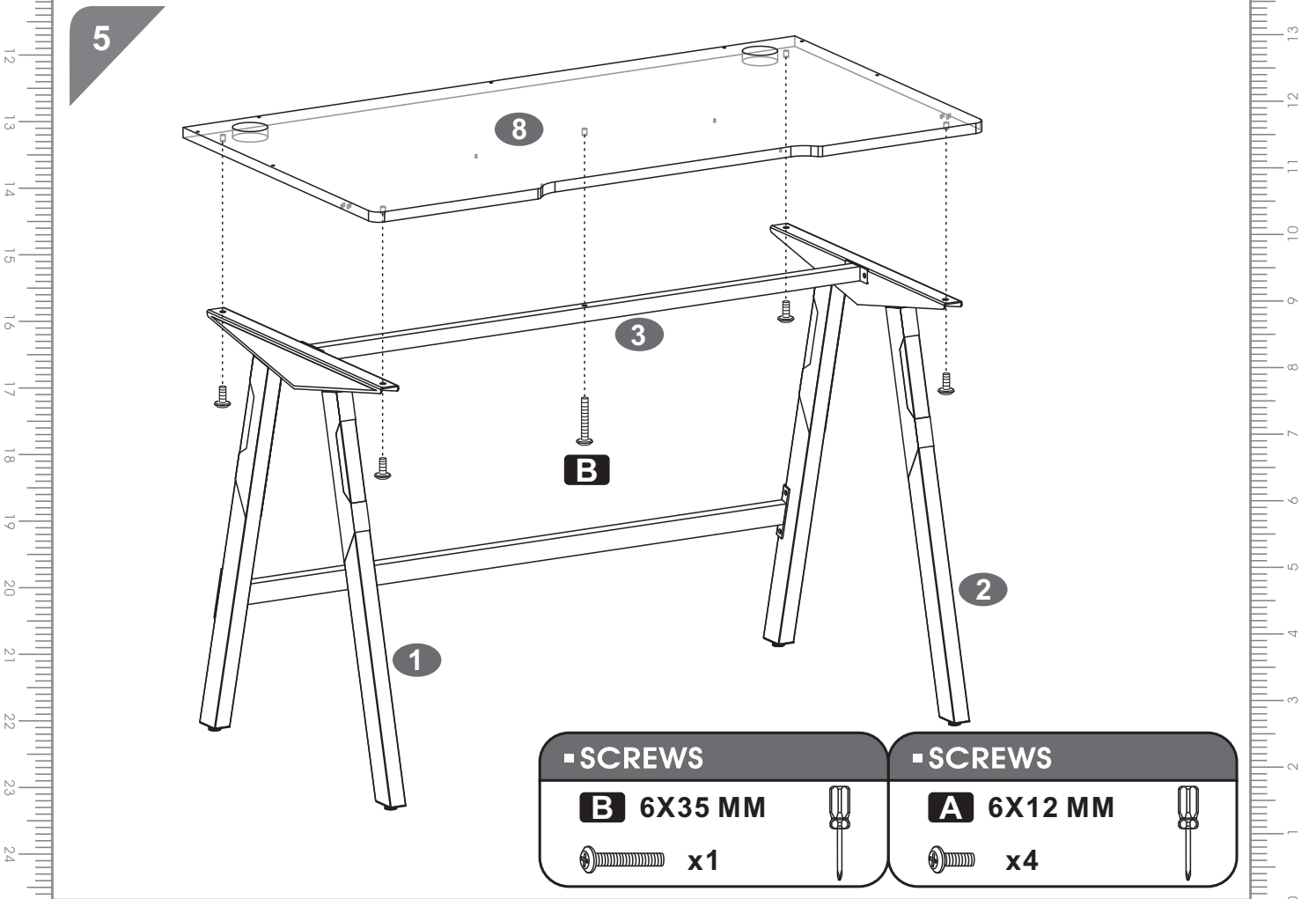
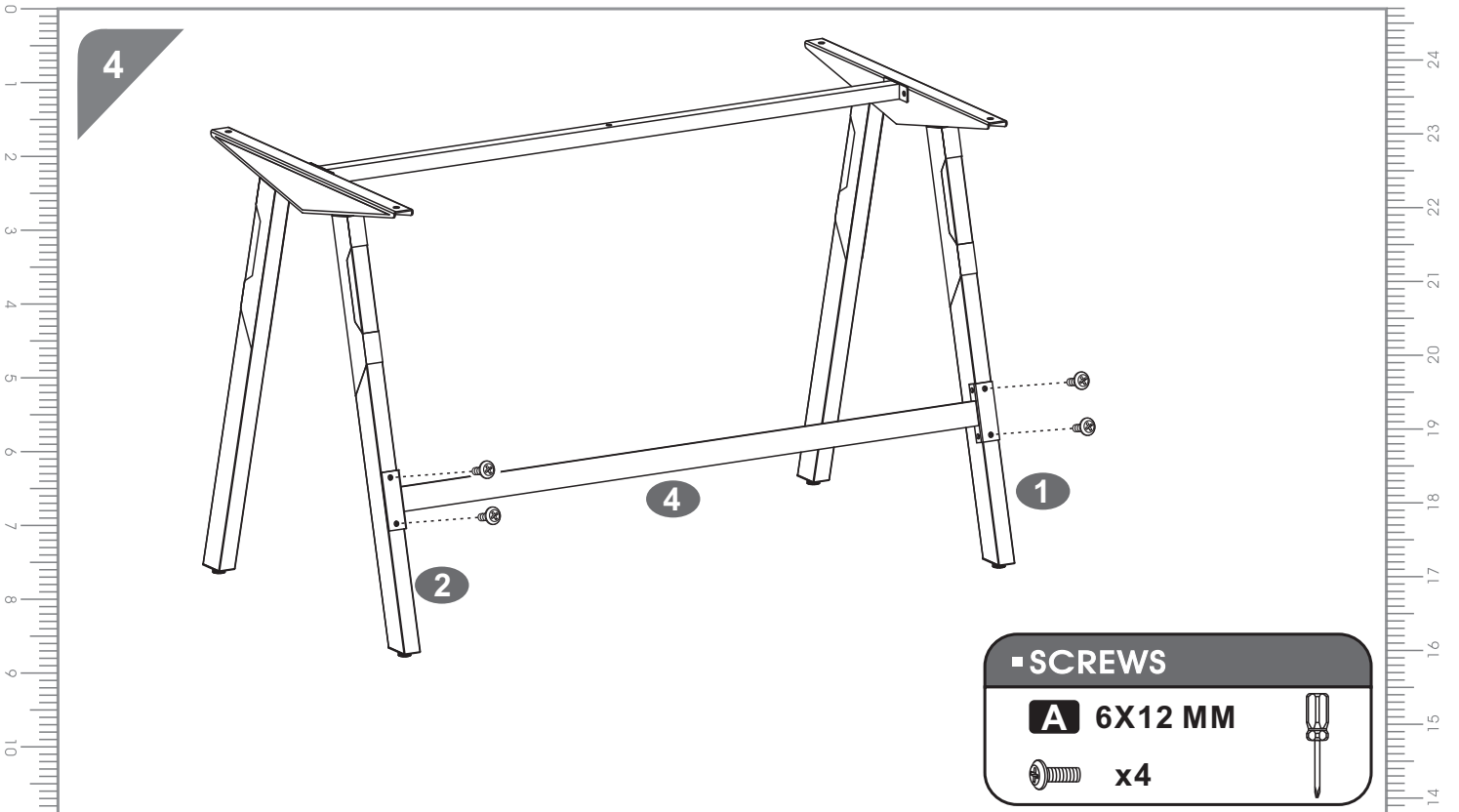
### 6X25MM BOLT INSTALLATION AS BELOW:

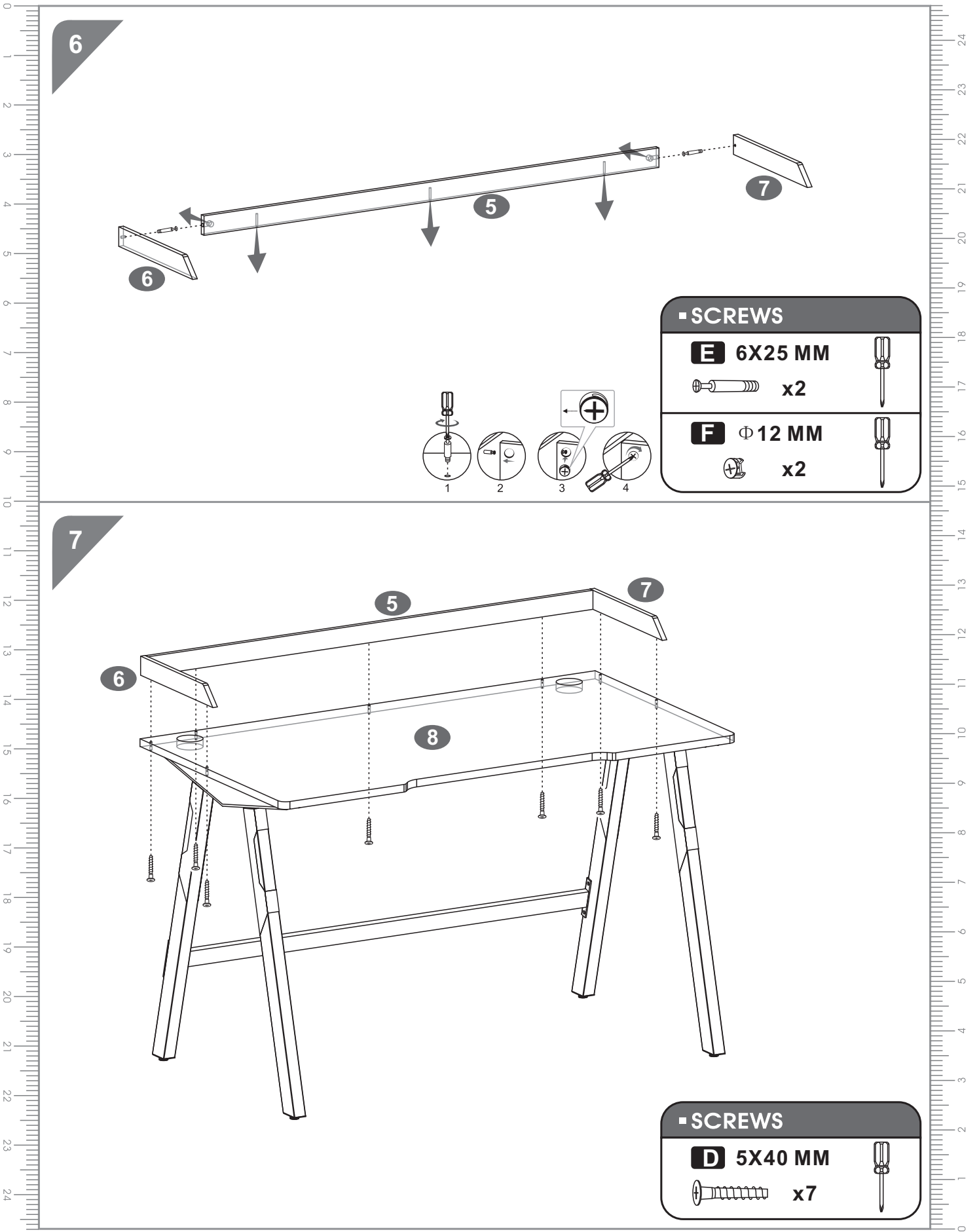


# AW9230

## ASSEMBLY STEPS:









# AW9230

