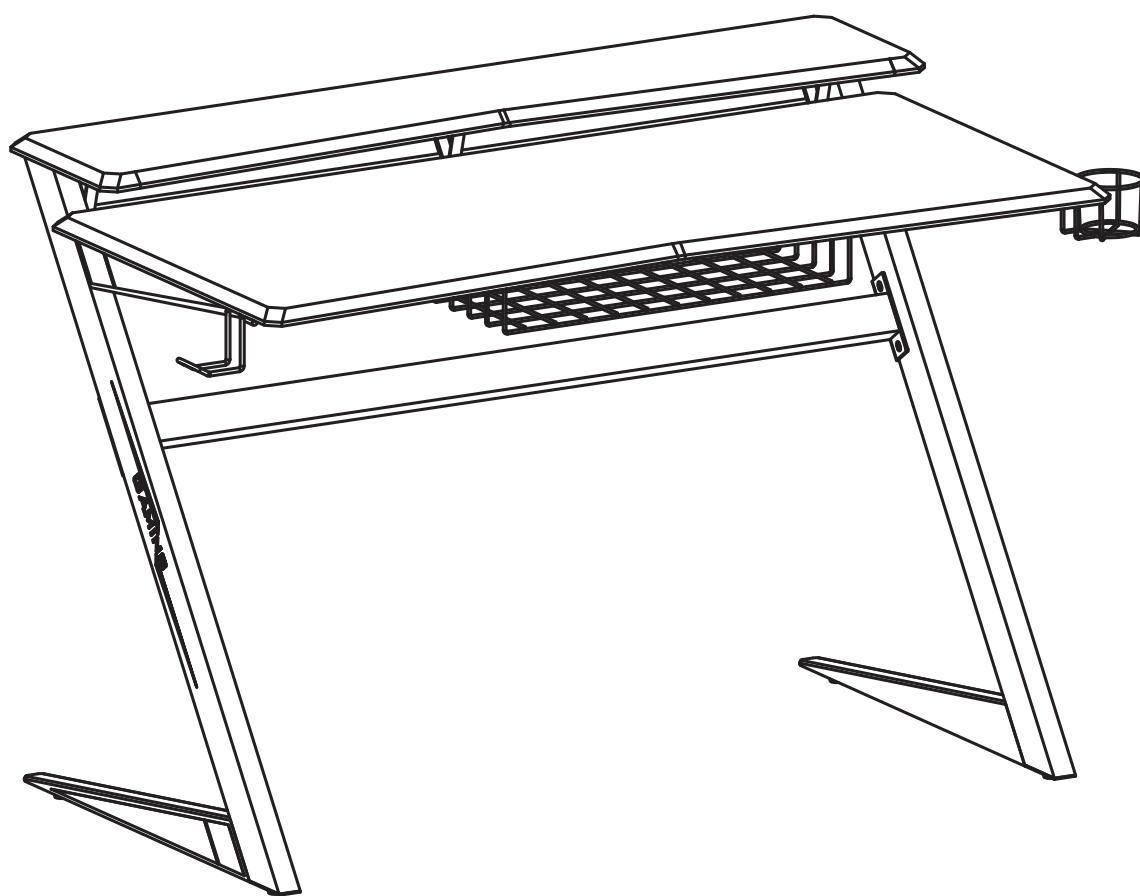


AW9210



Customer services:



01942 524 100



cseurope@dorel.com



Dorel Home Furnishings Ltd.
Building 4, Imperial Place, Maxwell Road,
Borehamwood WD6 1JN United Kingdom.

REFERENCE NO:

Please retain this booklet as you will be asked
to quote this number for any warranty or
product related queries

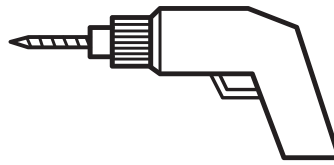
AW9210

Thank you for purchasing this desk. Please read the instructions carefully before use to ensure safe and satisfactory operation of this product.

Pre-assembly preparation

Please ensure instructions are read in full before attempting to assemble this product

Necessary Tools



Note: Some of the tools shown here are optional and are required only for quick assembly of this product

Please check the pack contents before attempting to assemble this product. A full checklist of components is given in this leaflet. If any components are missing, please contact the retailer from whom you bought this product.

This product is **HEAVY**, it should be assembled as near as possible to the point of use. **TAKE CARE WHEN LIFTING** to avoid personal injury and (or) damage to the product.

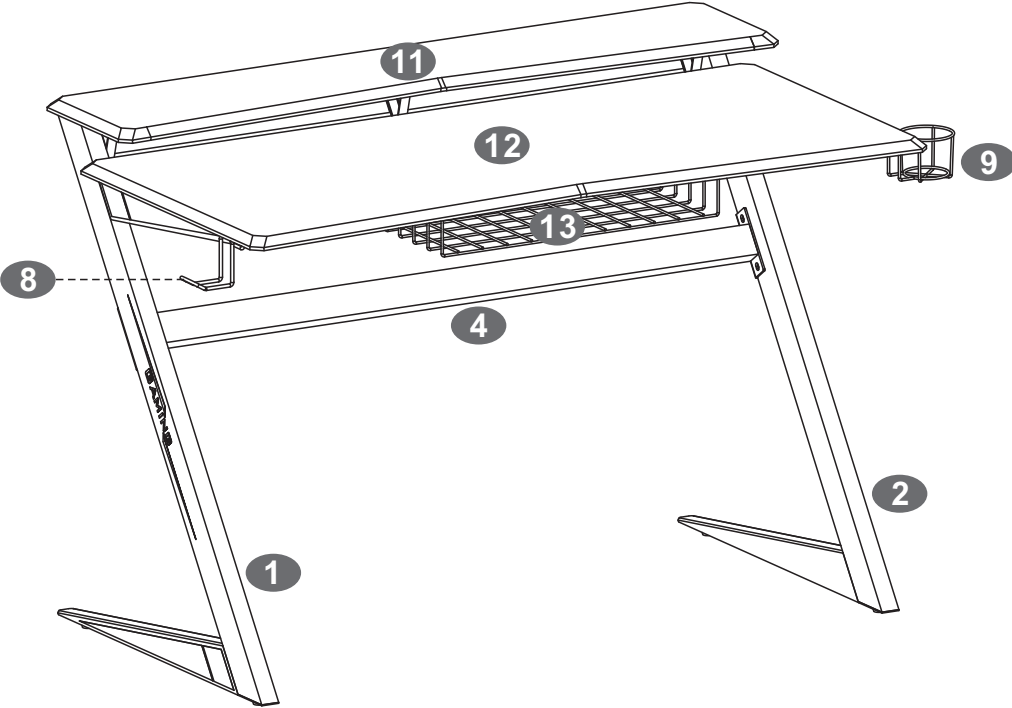
This product takes approximately **30 MINUTES** to assemble with **2 PEOPLE**.

The fittings pack contains **SMALL ITEMS** which should be **KEPT AWAY FROM YOUNG CHILDREN**.

Read this leaflet in full before commencing assembly.


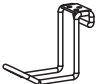


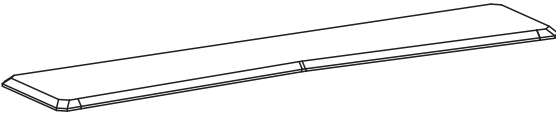
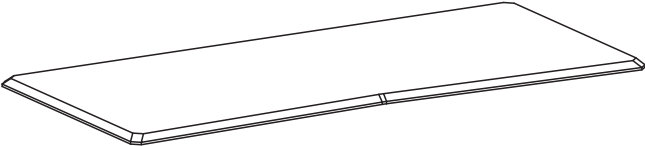



AW9210

■ PARTS LIST







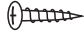


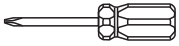
<p>1</p> <p>X1</p>	<p>2</p> <p>X1</p>	<p>3</p> <p>X1</p> <p>4</p> <p>X1</p> <p>5</p> <p>X1</p> <p>6</p> <p>X1</p>
--------------------	--------------------	-----------------------------------------------------------------------------

AW9210

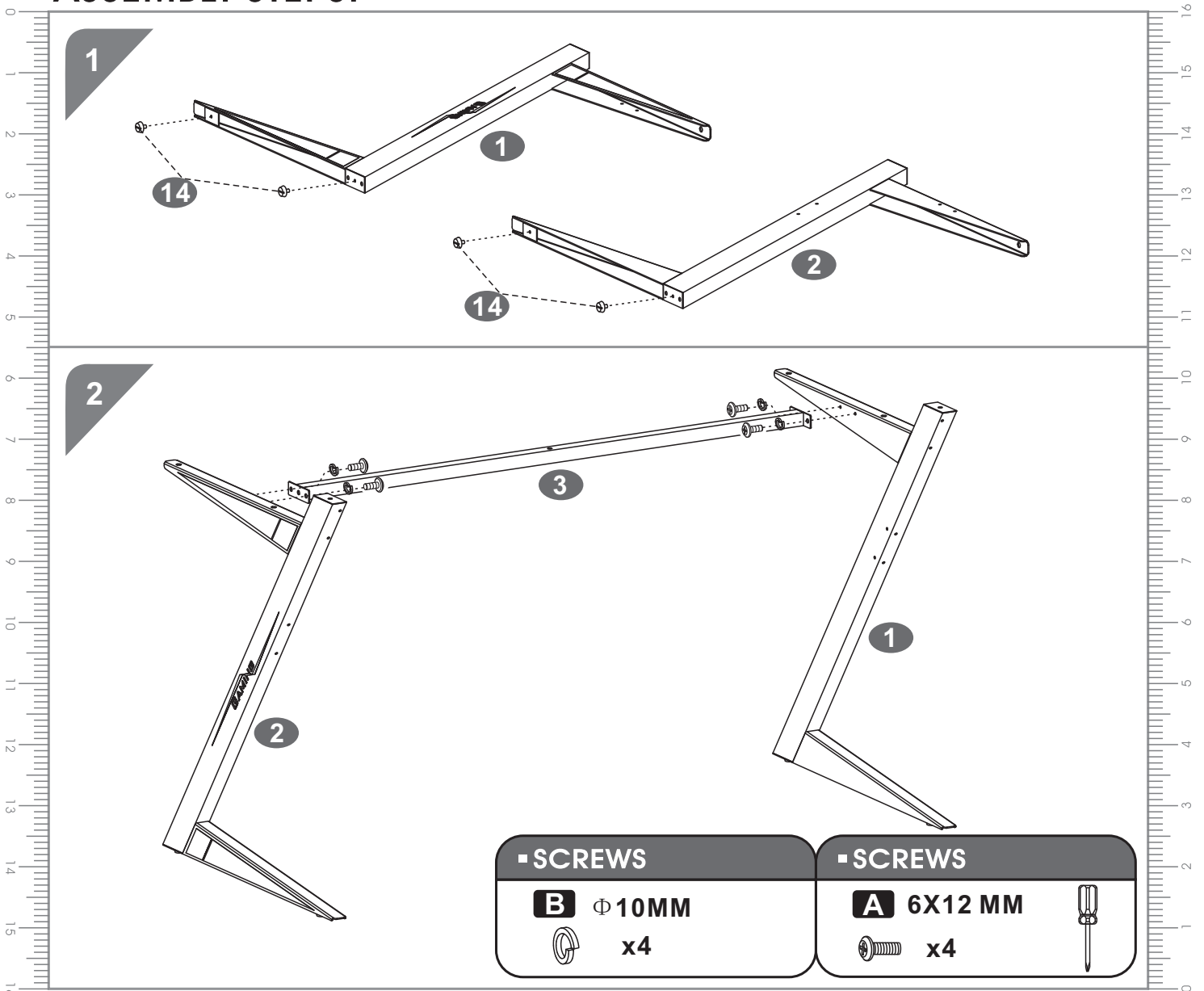
<p>7</p>  <p>X1</p>	<p>8</p>  <p>X1</p>	<p>9</p>  <p>X1</p>	<p>10</p>  <p>X3</p>
<p>11</p>  <p>X1</p>		<p>12</p>  <p>X1</p>	
<p>13</p>  <p>X1</p>	<p>14</p>  <p>X4</p>	<p>15</p>  <p>X3</p>	

AW9210

▪SCREWS LIST

PART	QTY.	ITEM		PART	QTY.	ITEM	
A	26	6X12 MM		E	1	6X40 MM	
B	16	Φ 10MM		F	8	Φ 16 MM	
C	10	4X14 MM			1		
D	2	6X35 MM			1		

▪ASSEMBLY STEPS:



1

14

1

2

14

2

3

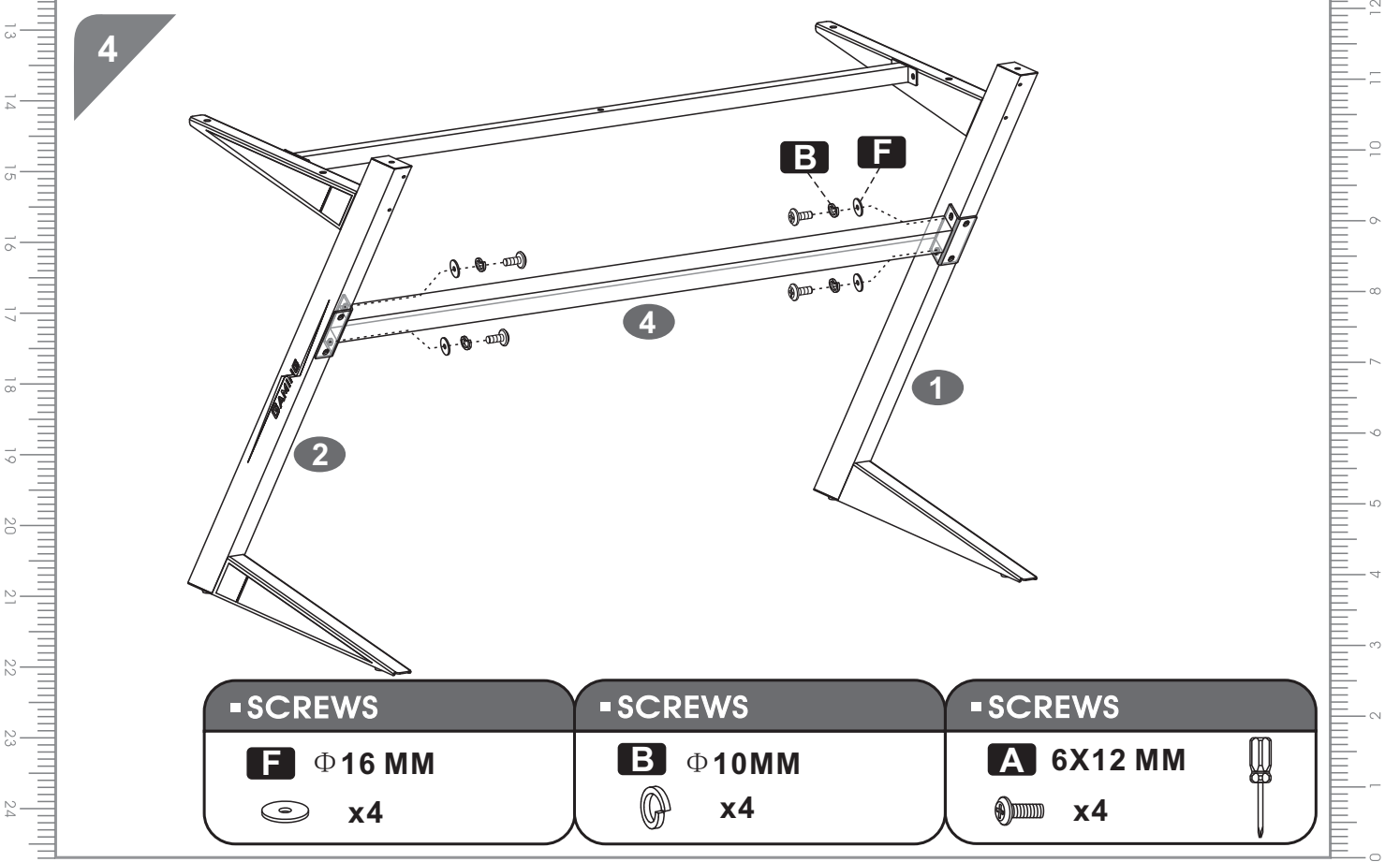
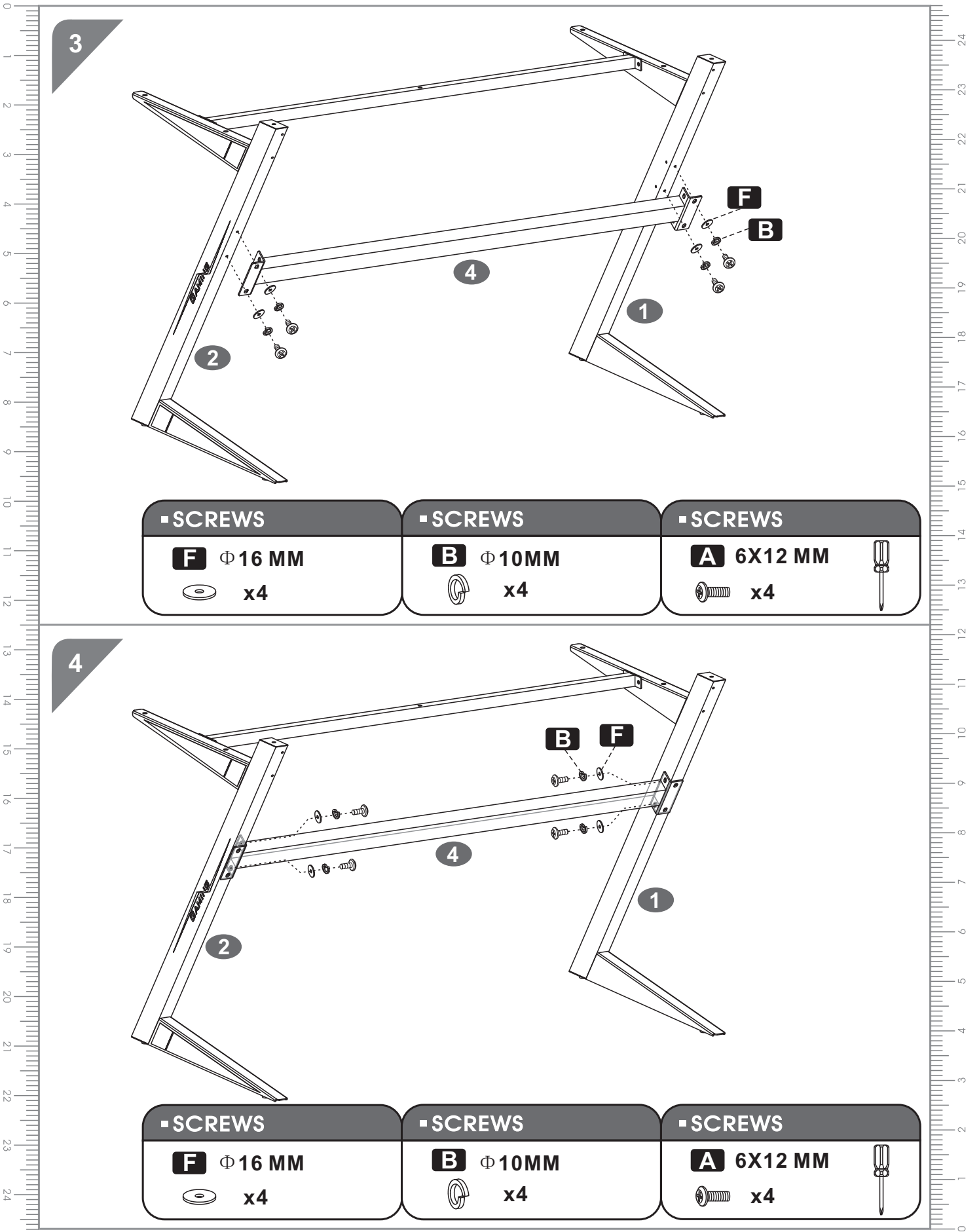
1

2

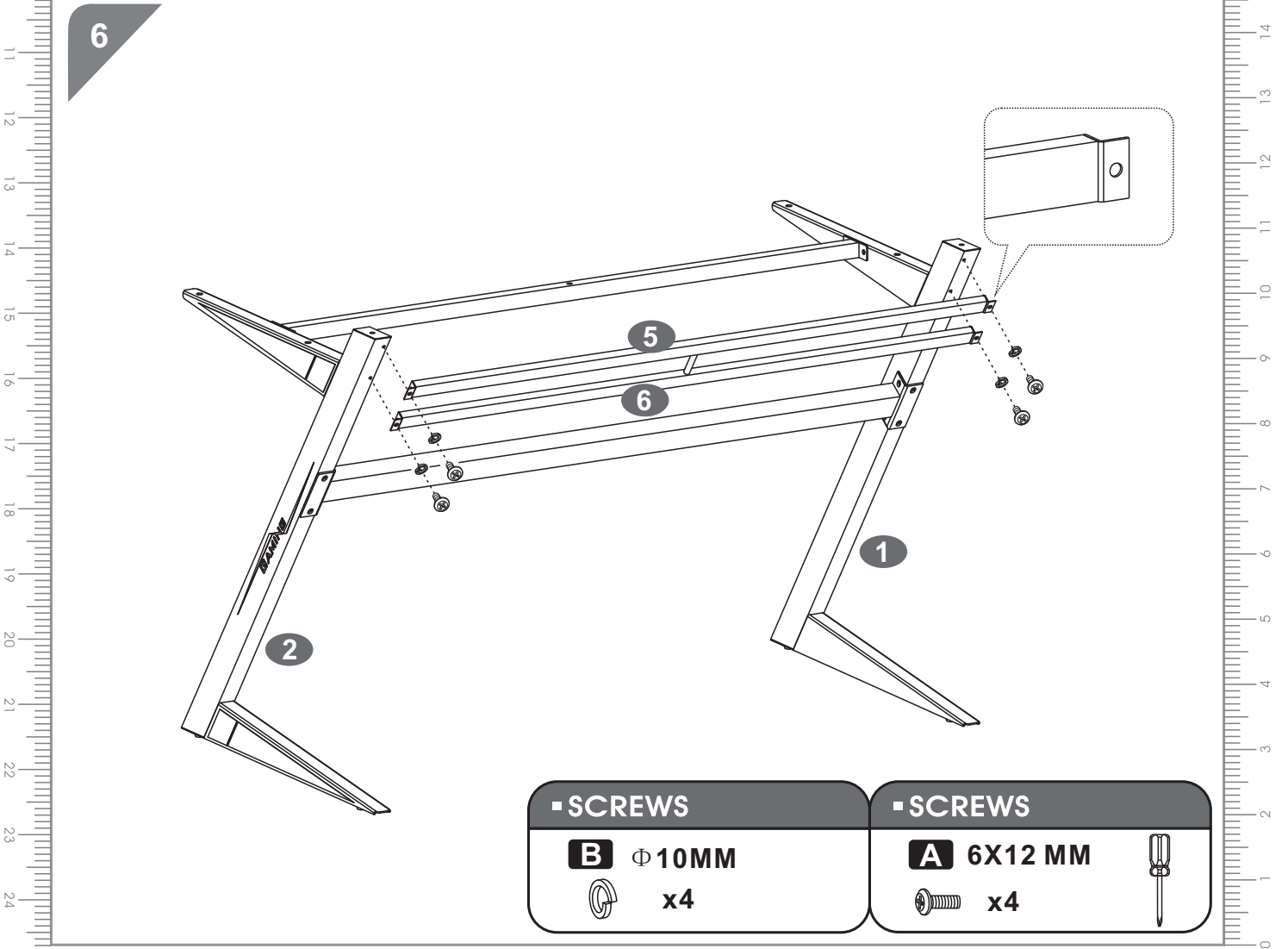
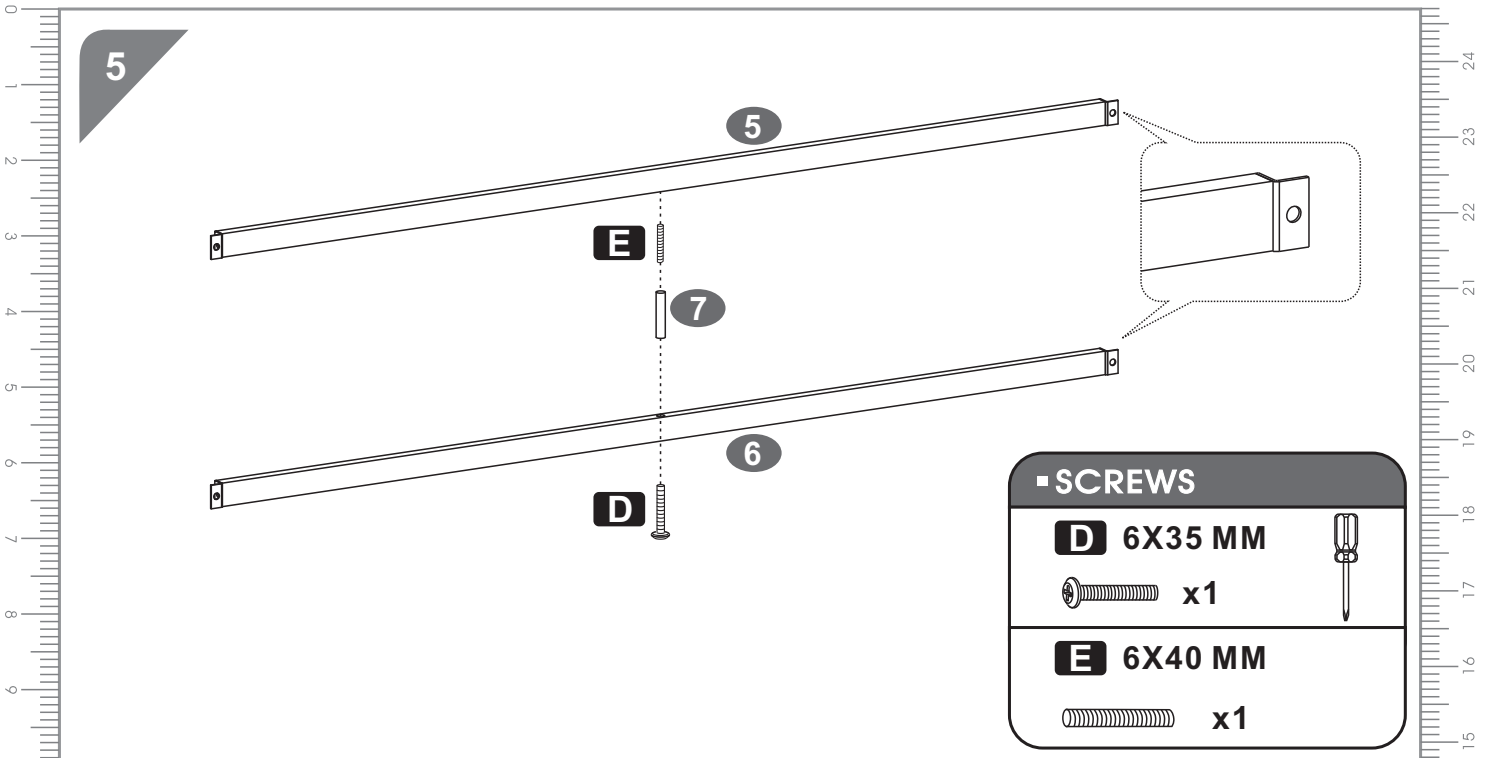
1

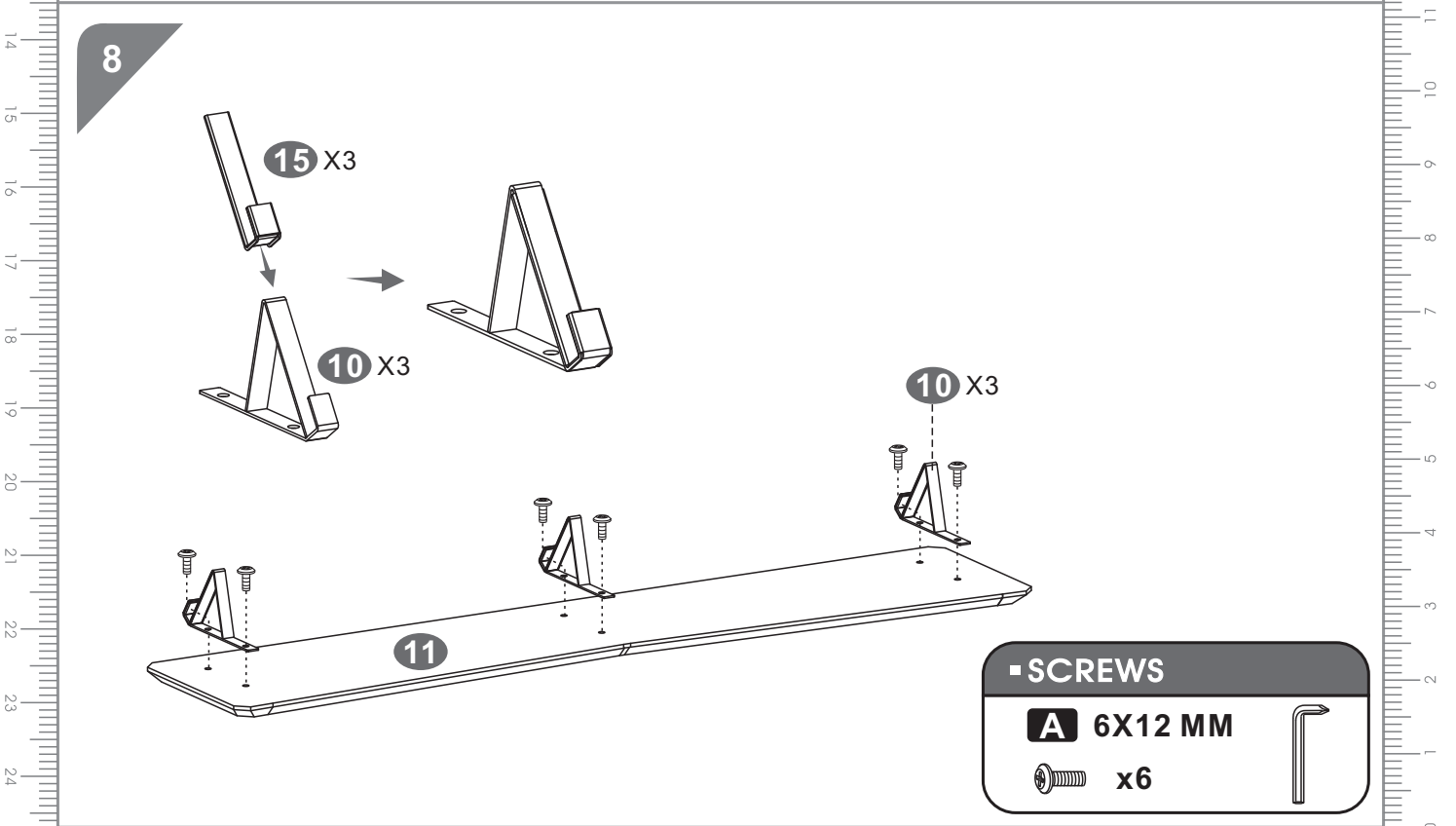
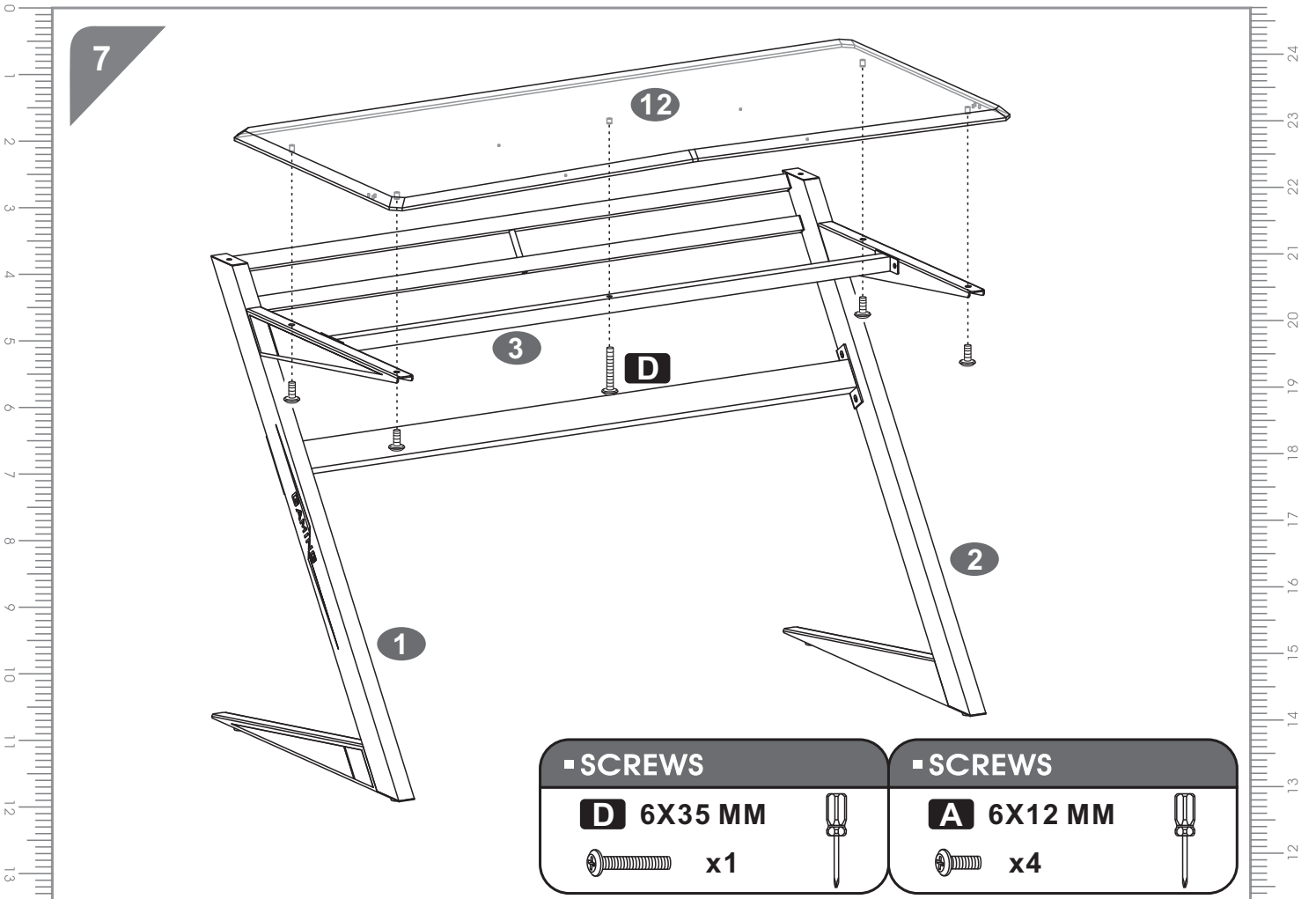
SCREWS
B Φ 10MM
x4

SCREWS
A 6X12 MM
x4



AW9210





AW9210

