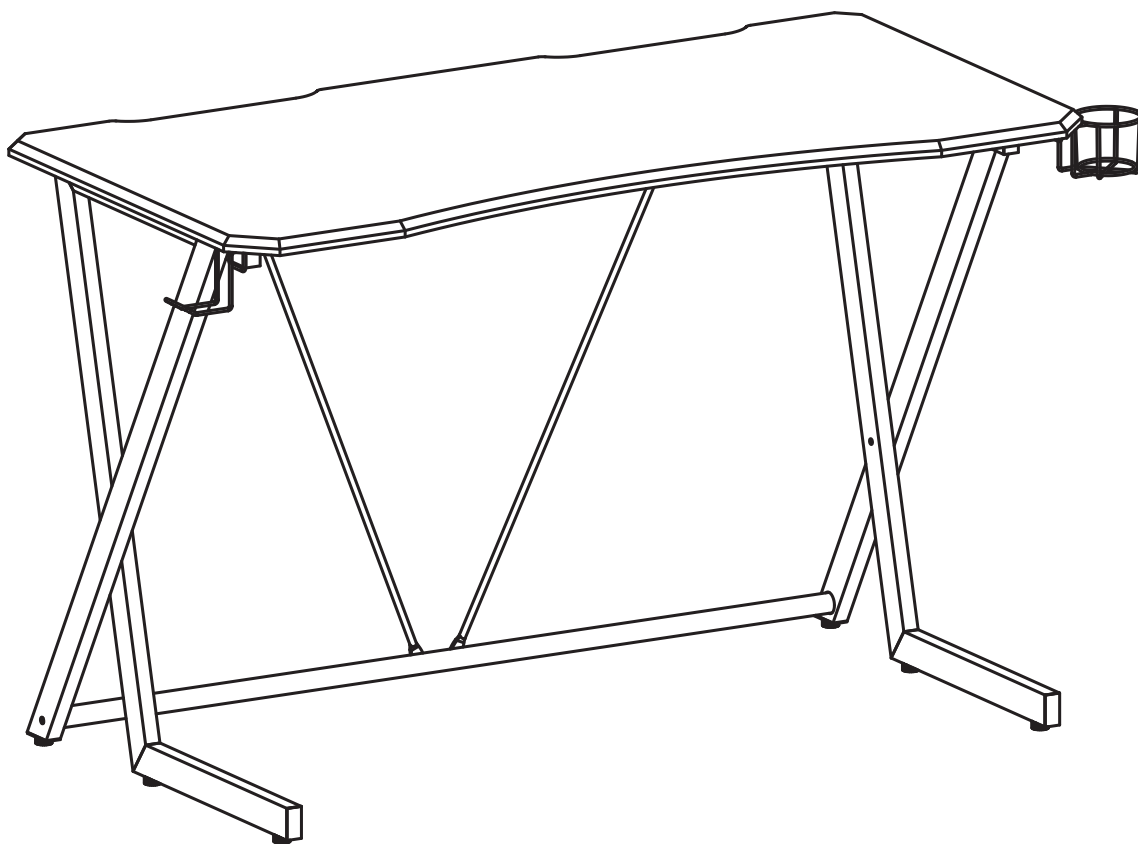


# AW9200



## Customer services:



01942 524 100



[cseurope@dorel.com](mailto:cseurope@dorel.com)



Dorel Home Furnishings Ltd.  
Building 4, Imperial Place, Maxwell Road,  
Borehamwood WD6 1JN United Kingdom.

REFERENCE NO:

Please retain this booklet as you will be asked  
to quote this number for any warranty or  
product related queries

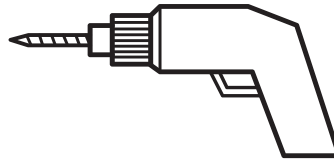
# AW9200

**Thank you for purchasing this desk. Please read the instructions carefully before use to ensure safe and satisfactory operation of this product.**

## **Pre-assembly preparation**

Please ensure instructions are read in full before attempting to assemble this product

## **Necessary Tools**



Note: Some of the tools shown here are optional and are required only for quick assembly of this product

Please check the pack contents before attempting to assemble this product. A full checklist of components is given in this leaflet. If any components are missing, please contact the retailer from whom you bought this product.

This product is **HEAVY**, it should be assembled as near as possible to the point of use. **TAKE CARE WHEN LIFTING** to avoid personal injury and (or) damage to the product.

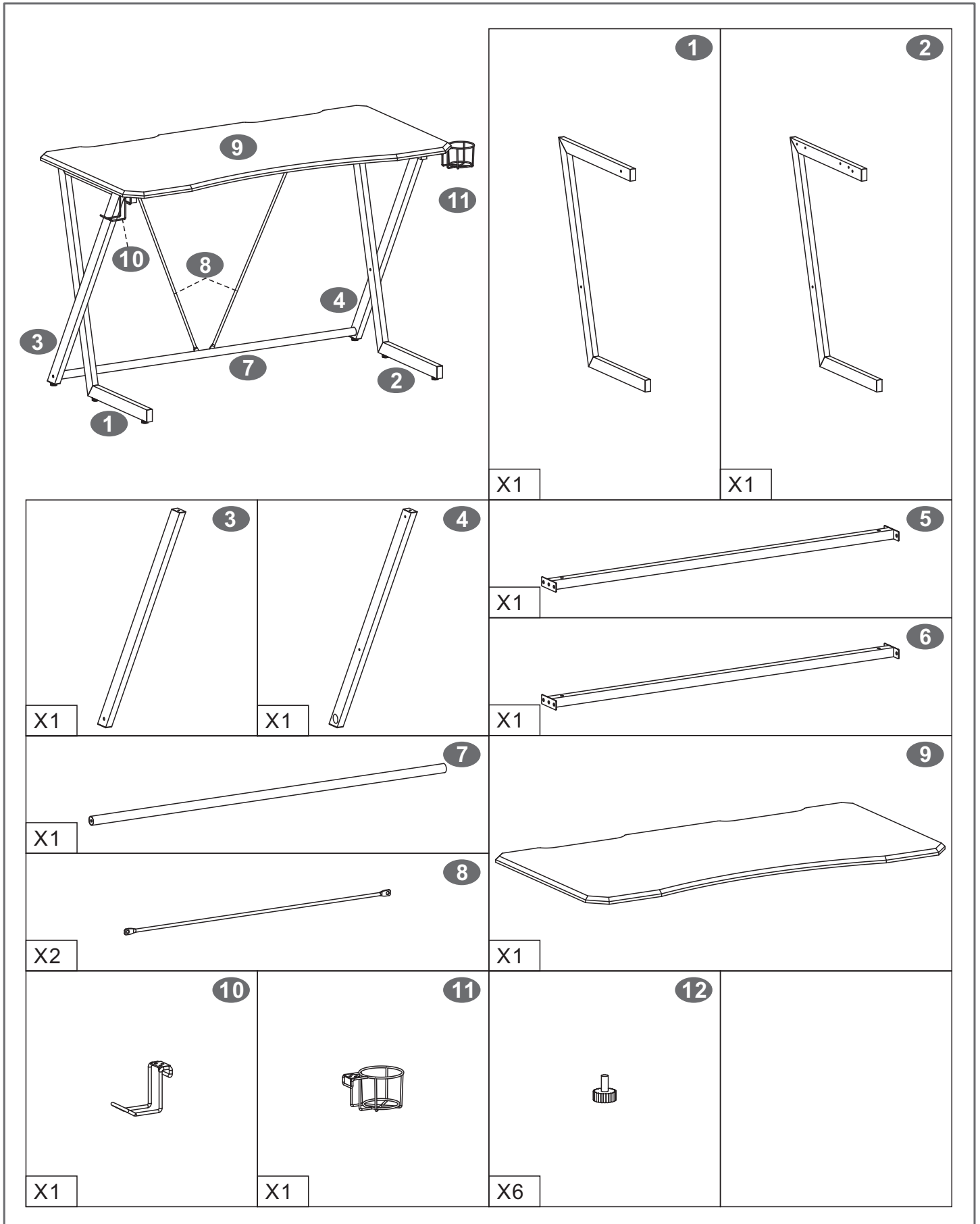
This product takes approximately **30 MINUTES** to assemble with **2 PEOPLE**.

The fittings pack contains **SMALL ITEMS** which should be **KEPT AWAY FROM YOUNG CHILDREN**.

Read this leaflet in full before commencing assembly.





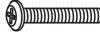
# AW9200

## ■ PARTS LIST

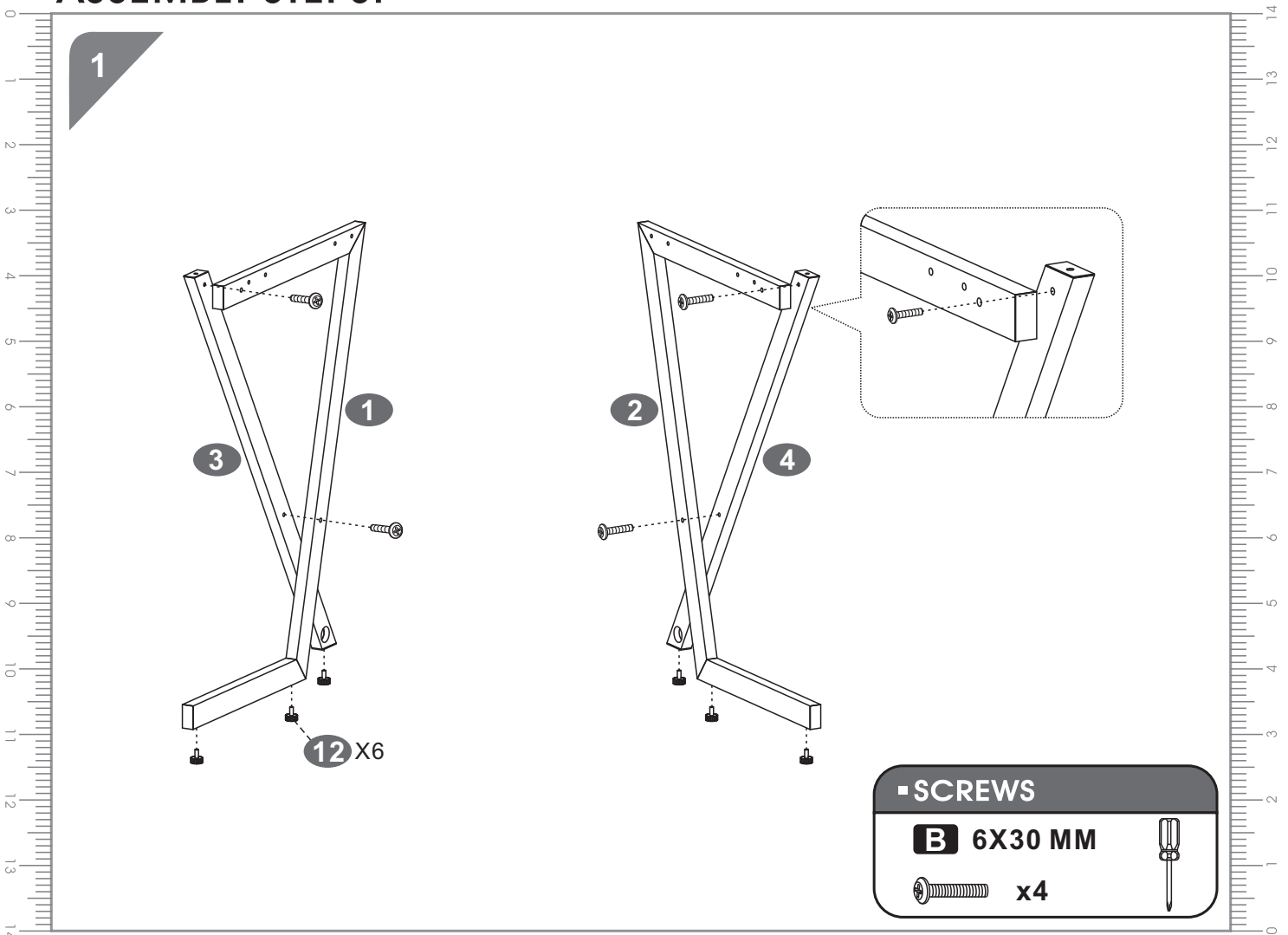


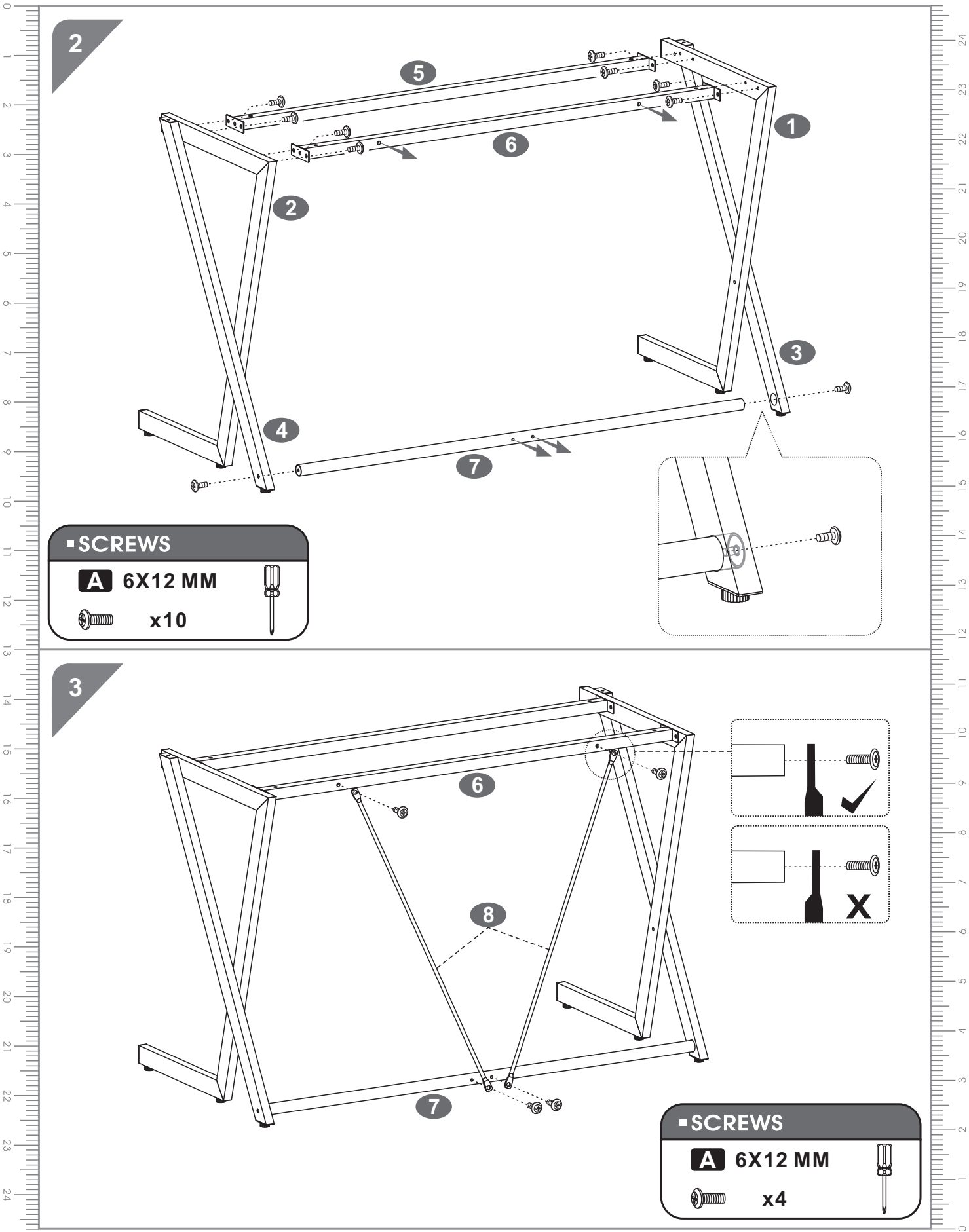
# AW9200

## ▪SCREWS LIST

PART	QTY.	ITEM		PART	QTY.	ITEM	
<b>A</b>	14	6X12 MM		<b>D</b>	6	4X14 MM	
<b>B</b>	4	6X30 MM			1		
<b>C</b>	4	6X35 MM					

## ▪ASSEMBLY STEPS:





# AW9200

