

VOLKTEK

IEN-8225P-24V

Unmanaged 4 x 10/100/1000 PoE+ & 1 x 10/100/1000 RJ45 & 2 x GbE SFP Switch

Description

Realizing the necessity of IP surveillance, Volktek comes up with IEN-8225P-24V, an unmanaged rugged PoE+ switch designed for harsh surveillance network. The PoE switch exhibits extreme tolerance in harsh temperature environment ranging from -10°C to 60°C including high resistance to impacts, vibration and interference. The switch is complied with innovative Power Booster technology, which support power input from 24VDC to 57VDC without the need for an external voltage converter also saving cost and space.

Offering the freedom of deployment without depending upon the power outlet, the switch is complied with PoE+ (IEEE 802.3af/at) function on 4-Gigabit copper ports to fulfill the demands of transmitting voice, video, data over a single network cable with per port 30W power budget. 2-Gigabit fiber slots give the advantages of configuring daisy chain topologies offering full-proof fiber advantages for a safe, reliable and long distance Gigabit connectivity. The additional Gigabit port without PoE, gives the advantages of connecting non-PoE devices as well as maximum flexibility for cascading of devices within shorten length. Simple set up with no software or additional configuration needed, the switch is proved to be a perfect solution for round the clock surveillance in harsh, remote and hard-to-reach locations.



RoHS CE FC



Features Highlight

Robust Switch Performance

IEN-8225P-24V is enclosed within IP30 metal case and can able to sustain harsh temperature ranging between -10°C~60°C. Along with this, the switch is built with various protection features such as ESD Protection, Surge Protection and Power Consumption Protection to deliver non-stop PoE service to the Powered Devices.

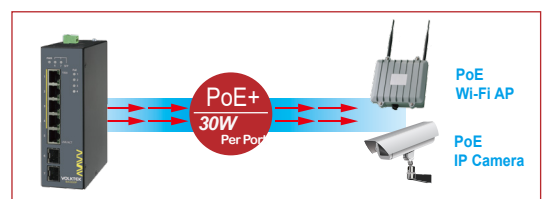


Efficient Power Booster Support

There are many places such as small factories, workstations where the voltage supply is not sufficient for PoE operation. Hence to deal with this situation, IEN-8225P-24V is designed with innovative power booster technology which can support DC voltage input 24~57VDC for IP surveillance saving additional cost and space for external voltage converter.

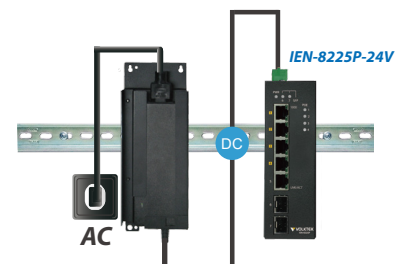
High-Power Budget for PoE Network Devices

IEN-8225P-24V is capable of delivering PoE power up to 30W per port (IEEE 802.3af/at) to PoE+ compliant powered devices (PDs). Addition to this, the switch allows simple "plug and play" PoE for various types of high power consuming PoE devices. Thereby, irrespective of their location, powered devices can be powered without installing additional power outlets or cabling and significantly reduce your CAPEX.



Hardened DIN-Rail-mounted Power Adapter (AC to DC)

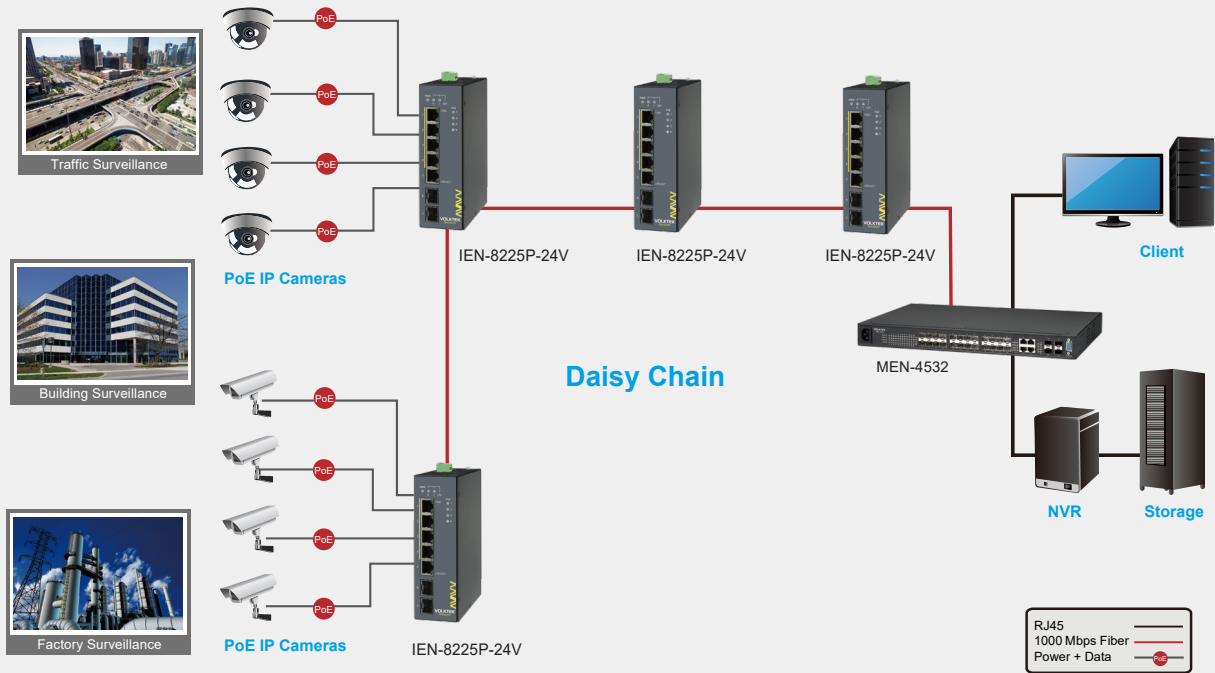
IEN-8225P-24V is designed with 4-pin mini-DIN power connector and adjustable DIN-Rail power holder which can easily power up the PDs and prevents from accidental power shutdown due to losing power.



Applications

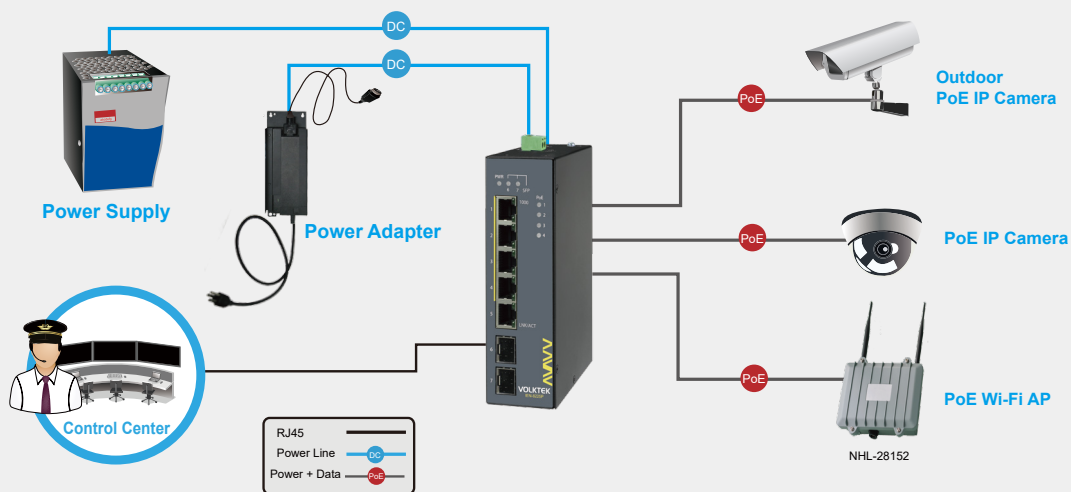
Sufficient PoE Power with Easy Uplink to Control Room

The intelligent PoE+, compactable size, rugged design of IEN-8225P-24V ensure continuous operations in some special requirements for transportation, factory and outdoor places where high vibration degree, shock and wide range temperatures are present. Addition to this the dual Gigabit SFP ports which can easily make daisy chain topologies to power more number of PoE+ enable power devices as well as saves the amount of fiber cabling connecting to the control room. Due to daisy chain architecture only a single fiber connects to the control room which in turn saves CAPEX.



Scalable Ethernet for IP Surveillance

The IEN-8225P-24V is compatible with 10/100/1000Mbps through RJ45 transceivers to guarantee a strong, stable connection of Ethernet, Fast Ethernet or Gigabit Ethernet, providing flexible deployment options to satisfy harsh and much demanding surveillance requirements.



Specifications

Standards	
IEEE 802.3	10BASE-T
IEEE 802.3u	100BASE-TX
IEEE 802.3ab	1000BASE-T
IEEE 802.3z	1000BASE-SX/LX
IEEE 802.3	Nway Auto-negotiation
IEEE 802.3x	Flow Control
IEEE 802.3af	Power over Ethernet
IEEE 802.3at	Power over Ethernet plus
IEEE 802.1p	Class of Service
Interface	
Ports	4 x 10/100/1000BASE-T (PoE RJ45)
	1 x 10/100/1000BASE-T (RJ45)
	2x GbE SFP Slots
LED Panel	PWR, SFP, PoE, 1000, LNK/ACT
Features	
Performance	14,880 pps to 10 Mbps ports
	148,800 pps to 100 Mbps ports
	1,488,000 pps to 1000 Mbps ports
	Jumbo frame Size: 10KBytes
	MAC Table Entries: 8K
Functions	Switch Fabric: 14Gbps
	Flow Control, Storm Control, LLDP Filter, VLAN Passthru, Port Priority(p1), 802.1p/Tag QoS, EIP QoS (via TCP/UDP #), PROFINET QoS (via VLAN 0), GOOSE QoS (via Ether-type)
Power	
Input Voltage	Adapter inputs: 24V~57V DC Terminal block inputs: 24V~57V DC
Connection	Terminal Block, Mini-DIN
Power Consumption	System: 14W PoE Power Budget: 120W

Note :

* The SFP communication distance upon the request.

* Industrial SFP with wide operating temperature from -40°C~85°C (-40°F~185°F) is available upon request.

* Specifications subject to change without notice.

Mechanical and Environment			
Housing	Metal Case (IP30 protection)		
Mounting	DIN-Rail		
Operating Temperature	-10°C~60°C		
Storage Temperature	-40°C~85°C		
Operating Humidity	5 to 95% RH (non-condensing)		
Storage Humidity	5 to 95% RH (non-condensing)		
Weight	780 g		
Dimension (WxHxD)	50 x 160 x 120 mm (1.97 x 6.3 x 4.72 in)		
Certifications			
EMI	FCC Part 15 Subpart B Class A EN 55022 : class A EN 55011 : 2009 class A EN 61000-6-4		
	EMS	EN 55024 EN 61000-6-2 EN 61000-4-2 (ESD) EN 61000-4-3 (RS) EN 61000-4-4 (Burst) EN 61000-4-5 (Surge) EN 61000-4-6 (CS) EN 61000-4-8 (PFMF)	
		Shock	IEC 60068-2-27
		Freefall	IEC 60068-2-32
Vibration		IEC 60068-2-6	
Safety		UL 61010-1, UL 61010-2-201	
Ordering Information			
IEEN-8225P-24V	Unmanaged 4 x 10/100/1000 PoE+ & 1 x 10/100/1000 RJ45 & 2 x GbE SFP Switch		
IEEN-8205P-24V	Unmanaged 4 x 10/100/1000 PoE+ & 1 x 10/100/1000 RJ45 Switch		
Optional Accessories			
Power Supply	IRA-160: 160W, 52V, Industrial Grade Power Adapter -30°C~60°C (-22°F~140°F) for 110V AC input -30°C~70°C (-22°F~158°F) for 220V AC input		
GBM-104	1000BASE-SX 1.25G, Multi-mode SFP, 500m		
GBM-123TS	1000BASE-LX, Bi-Di SFP TX:1310/RX:1550 Single Mode, 10Km, 0°C~70°C (32°F~158°F)		
GBM-123RS	1000BASE-LX, Bi-Di SFP TX:1550/RX:1310 Single Mode, 10Km, 0°C~70°C (32°F~158°F)		

Dimension

