

# VOLKTEK

## IEN-8205P-24V

Unmanaged 4 x 10/100/1000 PoE+ &  
1 x 10/100/1000 RJ45 Switch

### Description

Volktek's IEN-8205P-24V is an unmanaged rugged PoE+ switch perfectly suited for harsh surveillance network. Designed with hardened components, the switch is strong enough to tolerate wide range of temperature from -10°C to 60°C without compromising the quality and reliability. The switch is complied with innovative Power Booster technology, which support power input from 24 to 57VDC without the need for an external voltage converter also saving cost and space.

Complied with PoE+ (IEEE 802.3af/at) function on 4-Gigabit copper ports, the switch eliminates the need of running separate cables for power and supplies up to 30W per port power budget for the devices such as IP surveillance cameras, wireless access points, IP phones and other PoE enabled devices. Although unmanaged but the switch offers a compact, rugged design for round the clock surveillance in harsh, remote and hard-to-reach locations.



RoHS CE FC



### Features Highlight

#### Robust Switch Performance

IEN-8205P-24V is enclosed within IP30 metal case and can able to sustain harsh temperature ranging between -10°C~60°C. Along with this, the switch is built with various protection features such as ESD Protection, Surge Protection and Power Consumption Protection to deliver non-stop PoE service to the Powered Devices.

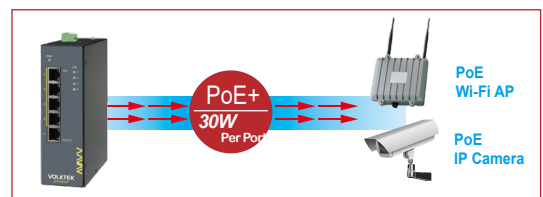


#### Efficient Power Booster Support

The standard PoE devices require at least 48VDC power to operate, but there are many places such as small factories, workstations where the voltage supply is less than 48VDC which is not sufficient for PoE operation. Hence to deal with this situation, IEN-8205P-24V is designed with innovative power booster technology which can support DC voltage input 24~57VDC for IP surveillance or other devices requiring such voltage inputs, saving additional cost and space for external voltage converter.

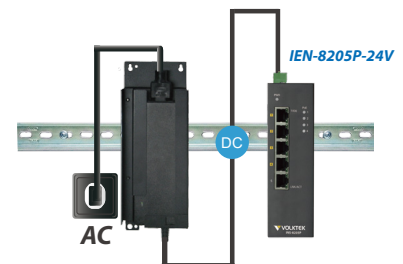
#### High-Power Budget for PoE Network Devices

To reduce the required time and cost of installing additional electrical sources, the INS-8648P Series implements PoE+ technology. The switch supplies power over the same cable that is used to carry network traffic and delivers a high power budget of 240W to suit various power requirements. Using SNMP and Web interface, the PoE+ functions on each port can be enabled and disabled to save power and energy.



#### Hardened DIN-Rail-mounted Power Adapter (AC to DC)

Offering a low-cost, simply installation and easy to use solution, IEN-8205P-24V is designed with 4-pin mini-DIN power connector and adjustable DIN-Rail power holder. The adapter can easily power up the PDs and prevents from accidental power shutdown due to losing power. Those innovated designs are helping to reduce the burdens of installation and maintenance, increase the stability and availability of surveillance systems.

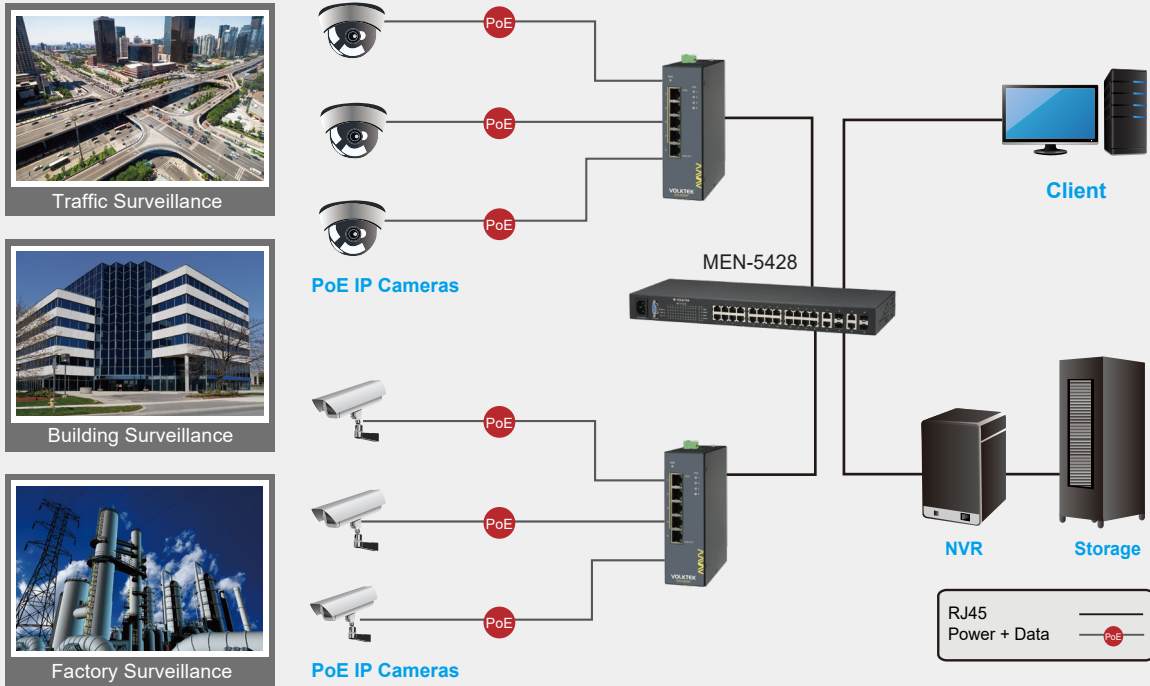




## Applications

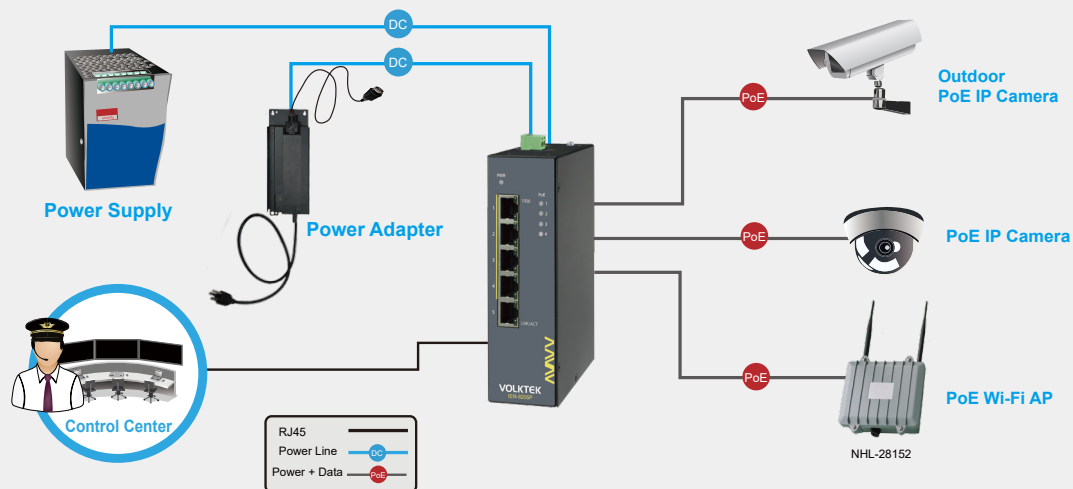
### Sufficient PoE Power with Easy Uplink to Control Room

The IEN-8205P-24V combines with 4-port high-power PoE+, robust performance for surveillance systems in harsh environments. With its highly reliable and secure features ensure continuous operations in some special requirements for transportation, factory and outdoor places where high vibration degree, shock and wide range temperatures are present. Addition to this the Gigabit port without PoE helps to uplink the real-time data and video to the control room without any interruption.



### Scalable Ethernet for IP Surveillance

The IEN-8205P-24V is compatible with 10/100/1000Mbps through RJ45 transceivers to guarantee a strong, stable connection of Ethernet, Fast Ethernet or Gigabit Ethernet, providing flexible deployment options to satisfy harsh and much demanding surveillance requirements.



## Specifications

| Standards                  |  |
|----------------------------|--|
| IEEE 802.3                 | 10BASE-T   |
| IEEE 802.3u                | 100BASE-TX   |
| IEEE 802.3ab               | 1000BASE-T   |
| IEEE 802.3                 | Nway Auto-negotiation  |
| IEEE 802.3x                | Flow Control   |
| IEEE 802.3af               | Power over Ethernet  |
| IEEE 802.3at               | Power over Ethernet Plus   |
| IEEE 802.1p                | Class of Service   |
| Interface                  |  |
| Ports                      | 4 x 10/100/1000BASE-T (PoE RJ45)<br>1 x 10/100/1000BASE-T (RJ45)   |
| LED Panel                  | PWR, PoE, 1000, LNK/ACT  |
| Features                   |  |
| Performance                | 14,880 pps to 10 Mbps ports  |
|                            | 148,800 pps to 100 Mbps ports  |
|                            | 1,488,000 pps to 1000 Mbps ports   |
|                            | Jumbo frame Size: 10KBytes   |
|                            | MAC Table Entries: 8K  |
| Switch Fabric: 10Gbps      |  |
|                            |  |
| Functions                  | Flow Control, Storm Control, LLDP Filter, VLAN Passthru, Port Priority(p1), 802.1p/Tag QoS, EIP QoS (via TCP/UDP #), PROFINET QoS (via VLAN 0), GOOSE QoS (via Ether-type) |
|                            |  |
|                            |  |
|                            |  |
| Power                      |  |
| Input Voltage              | Adapter inputs: 24V~57V DC<br>Terminal block inputs: 24V~57V DC  |
| Connection                 | Terminal Block, Mini-DIN   |
| Power Consumption          | System : 13W<br>PoE Power Budget: 120W   |
| Mechanical and Environment |  |
| Housing                    | Metal Case (IP30 protection)   |
| Mounting                   | DIN-Rail   |
| Operating Temperature      | -10°C~60°C (14°F~140°F)  |
| Storage Temperature        | -40°C~85°C (-40°F~185°F)   |
| Operating Humidity         | 5 to 95% RH (non-condensing)   |
| Storage Humidity           | 5 to 95% RH (non-condensing)   |
| Weight                     | 750 g (1.7 lb)   |
| Dimension (WxHxD)          | 50 x 160 x 120 mm (1.97 x 6.3 x 4.72 in)   |

| Certifications       |   |
|----------------------|---|
| EMI                  | FCC Part 15 Subpart B Class A<br>EN 55022: class A<br>EN 55011: 2009 class A<br>EN 61000-6-4  |
|                      | EN 55024<br>EN 61000-6-2<br>EN 61000-4-2 (ESD)<br>EN 61000-4-3 (RS)<br>EN 61000-4-4 (Burst)<br>EN 61000-4-5 (Surge)<br>EN 61000-4-6 (CS)<br>EN 61000-4-8 (PFMF) |
|                      |   |
| Shock                | IEC 60068-2-27  |
| Freefall             | IEC 60068-2-32  |
| Vibration            | IEC 60068-2-6   |
| Safety               | UL 61010-1, UL 61010-2-201  |
| Ordering Information |   |
| IEN-8205P-24V        | Unmanaged 4 x 10/100/1000 PoE+ & 1 x 10/100/1000 RJ45 Switch  |
| IEN-8225P-24V        | Unmanaged 4 x 10/100/1000 PoE+ & 2 x 10/100/1000 RJ45 Switch  |
| Optional Accessories |   |
| Power Supply         | IRA-160: 160W, 52V, Industrial Grade Power Adapter<br>-30°C~60°C (-22°F~140°F) for 110V AC input<br>-30°C~70°C (-22°F~158°F) for 220V AC input                  |
| GBM-104              | 1000BASE-SX 1.25G, Multi-mode SFP, 500m   |
| GBM-123TS            | 1000BASE-LX, Bi-Di SFP TX:1310/RX:1550<br>Single Mode, 10Km, 0°C~70°C (32°F~158°F)  |
| GBM-123RS            | 1000BASE-LX, Bi-Di SFP TX:1550/RX:1310<br>Single Mode, 10Km, 0°C~70°C (32°F~158°F)  |

**Note :**

\* The SFP communication distance upon the request.

\* Industrial SFP with wide operating temperature from -40°C~85°C (-40°F~185°F) is available upon request.

\* Specifications subject to change without notice.

## Dimension

