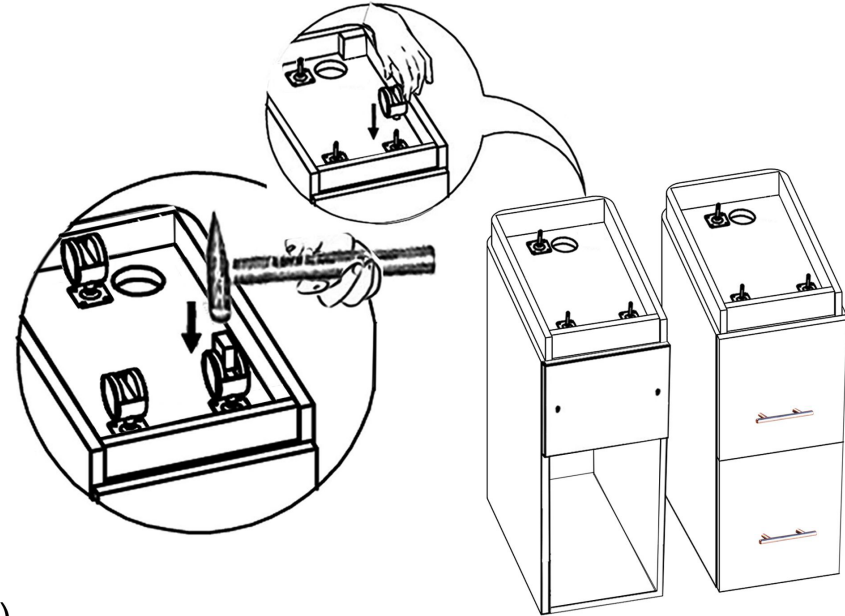


NAPA NAIL TABLE W/VENTILATION ASSEMBLY INSTRUCTION

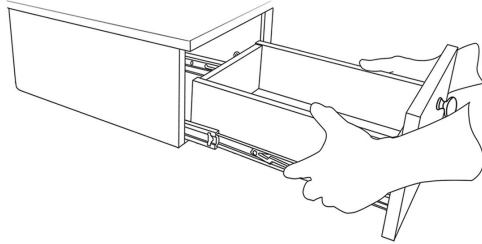
Step 1 : Install the wheels .

- _ Flip the 2 table bodies over (see drawing 1) .
 - _ Put the wheels into the casters
 - _ Put a wooden piece into each gap in the middle of the wheel .
- Hammer the wooden piece until a “pop” sound is heard .



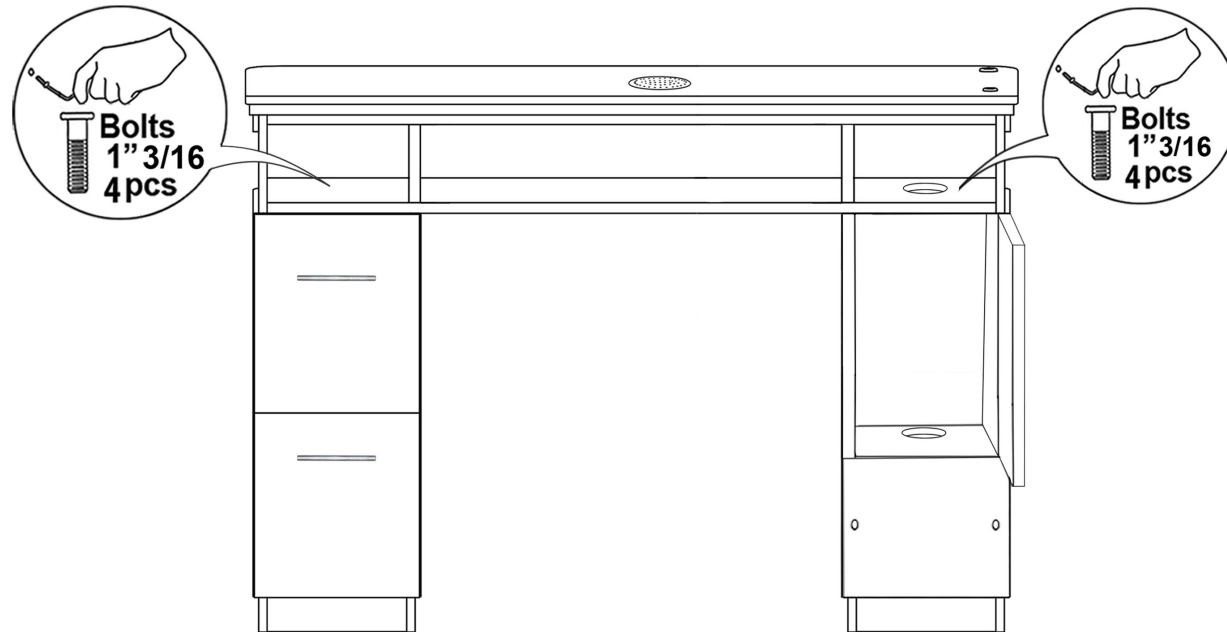
Drawing 1.

Step 2 : Pull the left drawer of the table top out .

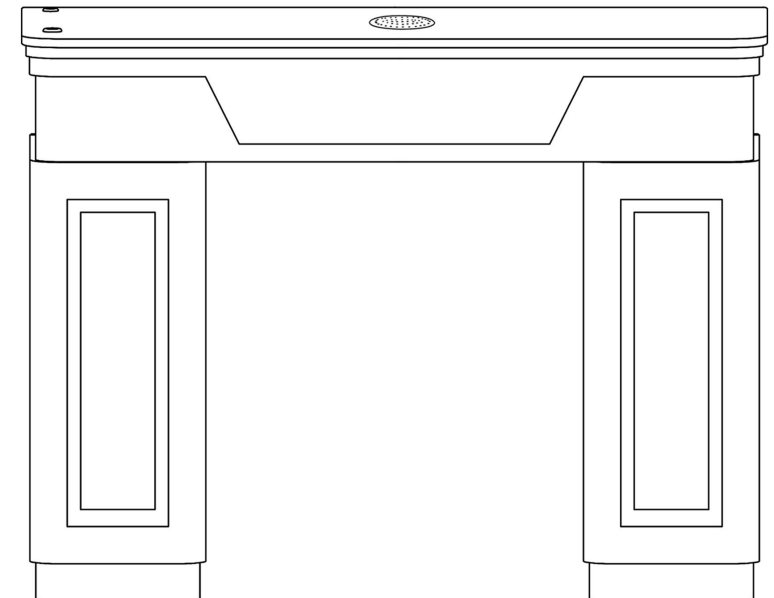


Step 3 : Intall the table top.

- _ Place the 2 table bodies as shown in drawing 2 (wheels to floor) .
- Place the table top so that it fits into the mounting hole .
- _ Bolt from table top to table bodies , each side 4 bolt . (Type : 1”3/16) .



Drawing 2.



FINISH