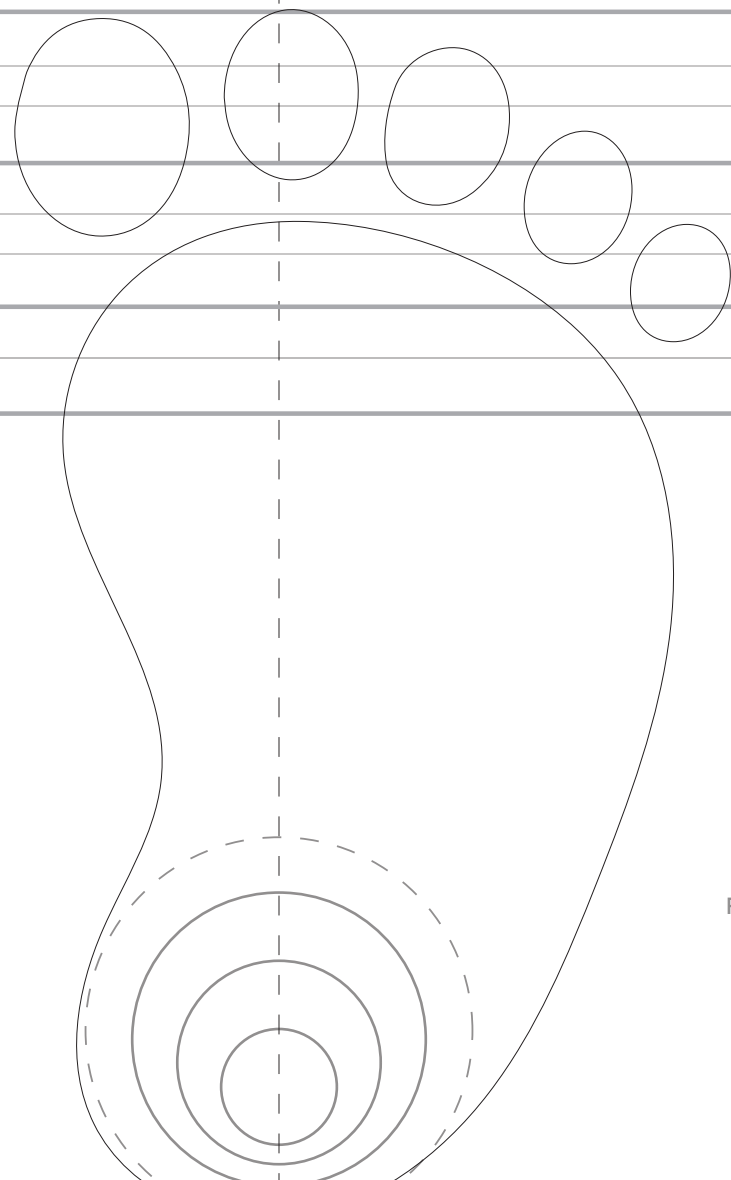


- (S6)
- (S5)
- (S4)
- (S3)
- (S2)
- (S1)
- (S0)

SIZE



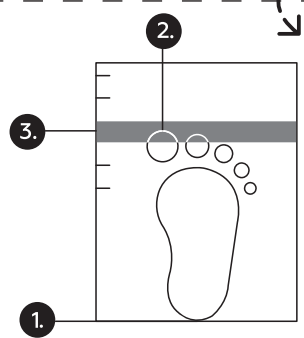
ALIGN HEEL TO THIS LINE

Place a 10 Rupee coin to check scale



FOLD ↘

FOLD ↙



FIND YOUR ARETTO FIT

1. Place your child's barefoot as depicted on the footscale.
2. Track the tip of the big toe of their foot.
3. Each section denotes the respective size



SCAN TO REGISTER PRODUCT & CLAIM WARRANTY.