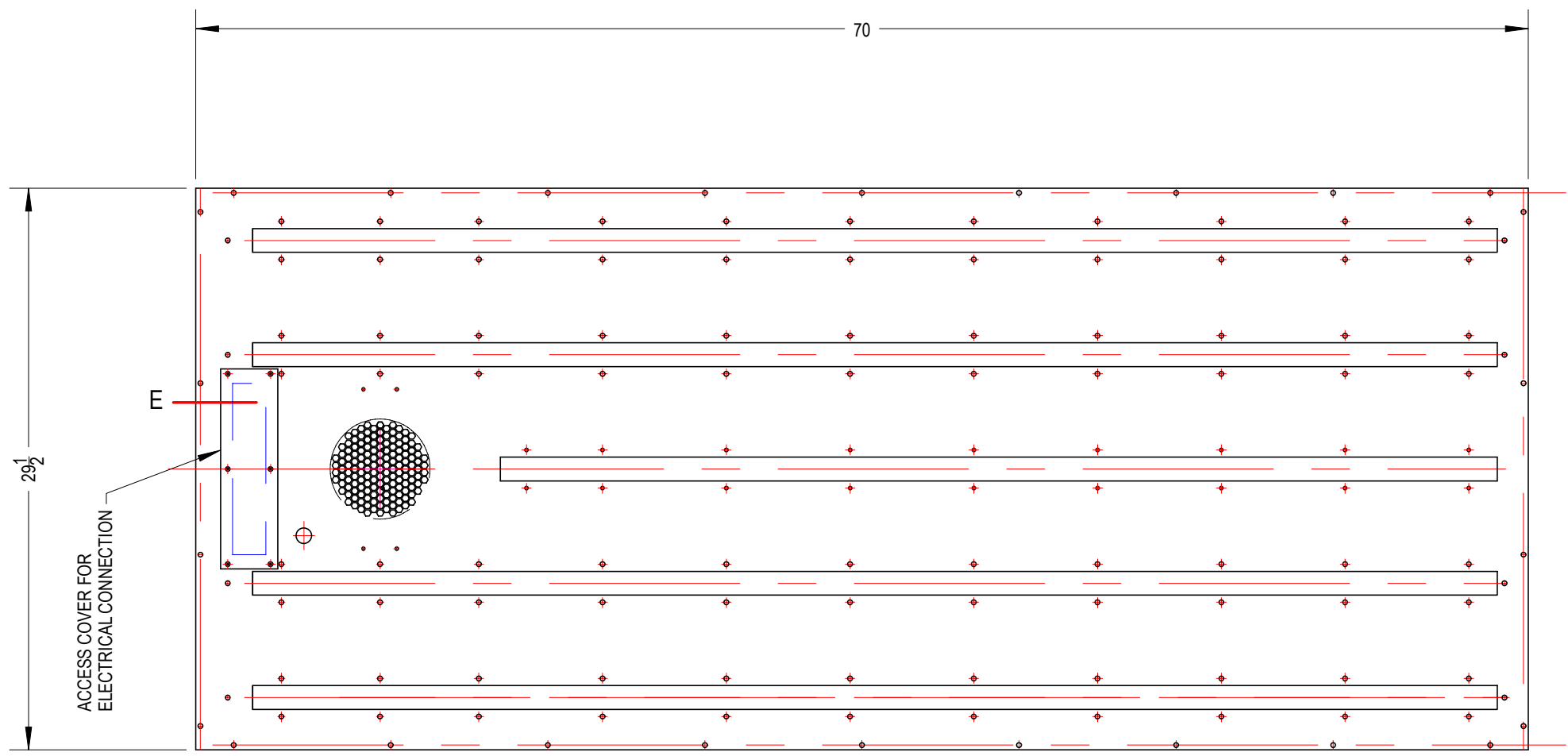


4

3

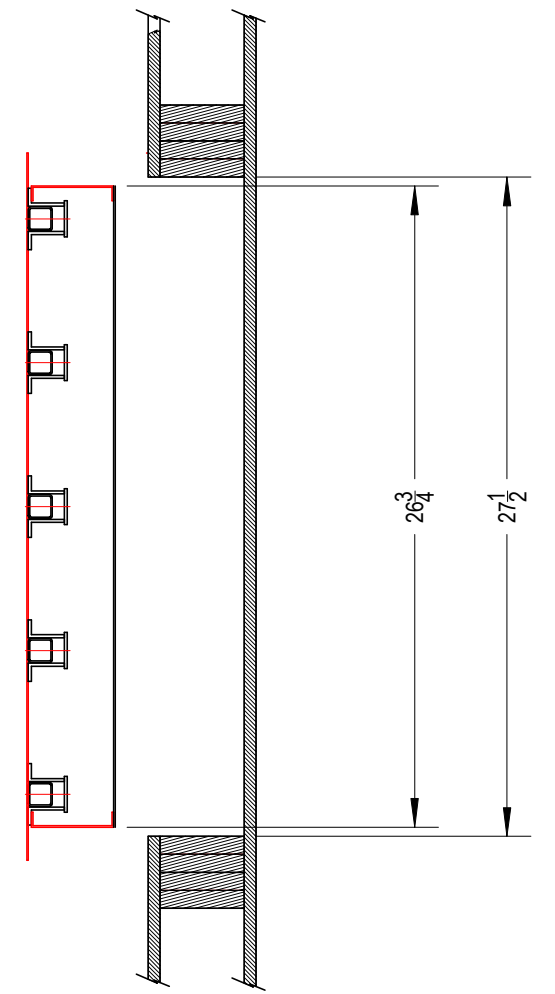


29 1/2

ACCESS COVER FOR ELECTRICAL CONNECTION

E

70



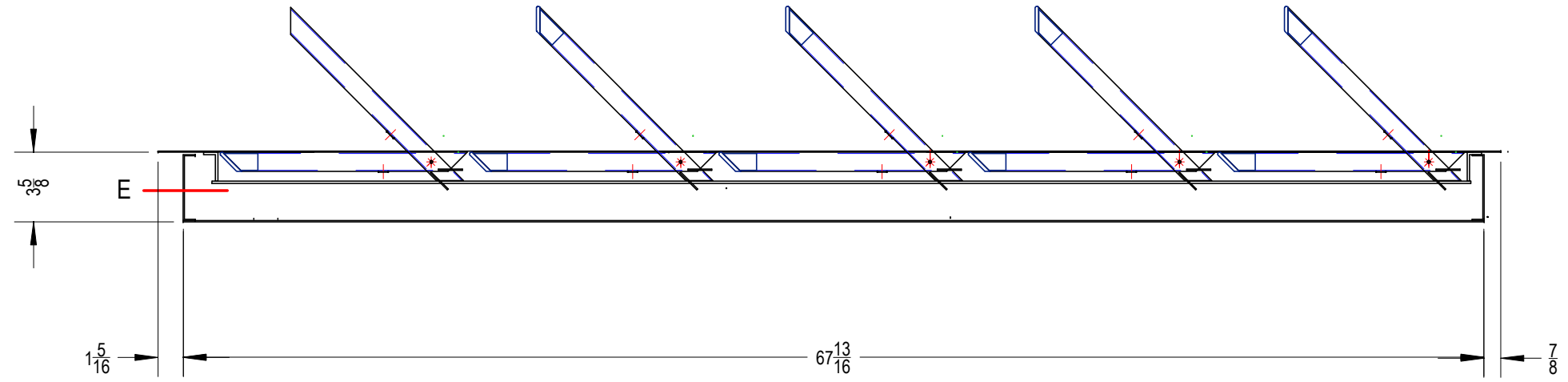
26 3/4

27 1/2

RECOMMENDED ROUGH OPENING:  
27 1/2" x 68 1/4"

ELECTICAL CONNECTION 3 1/2" RIGHT OF CENTER  
AT TOP OF BOX. MARKED E

REMOVE FRONT ACCESS COVER FOR CONNECTION  
OF ELECTRICAL.



3 1/2

1 5/16

67 13/16

7 7/8

E

4

3



2

1



PROJECT		
PUELICHE DRYER F12		
TITLE		
INSTALL DETAILS		
DWG NO	75910	REV
		0
SCALE	JULY 2022	SHEET