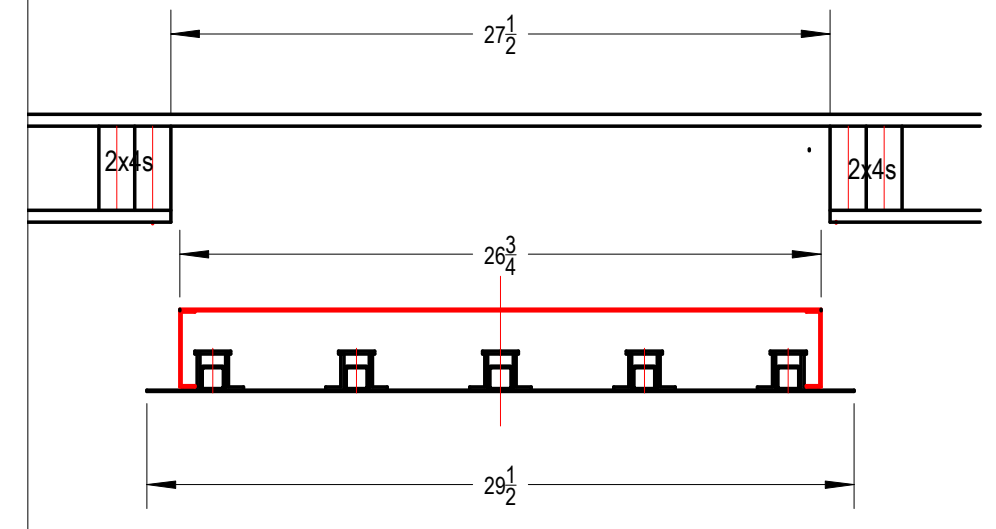


4

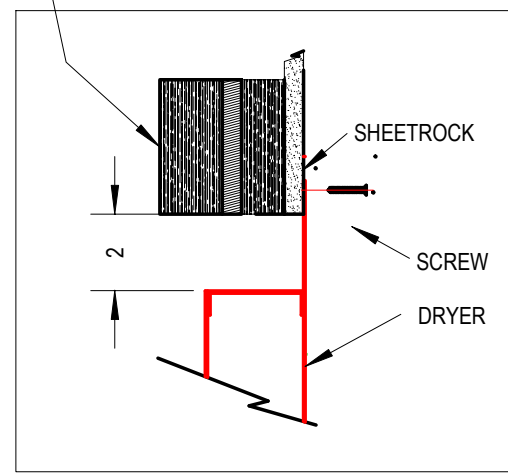
3



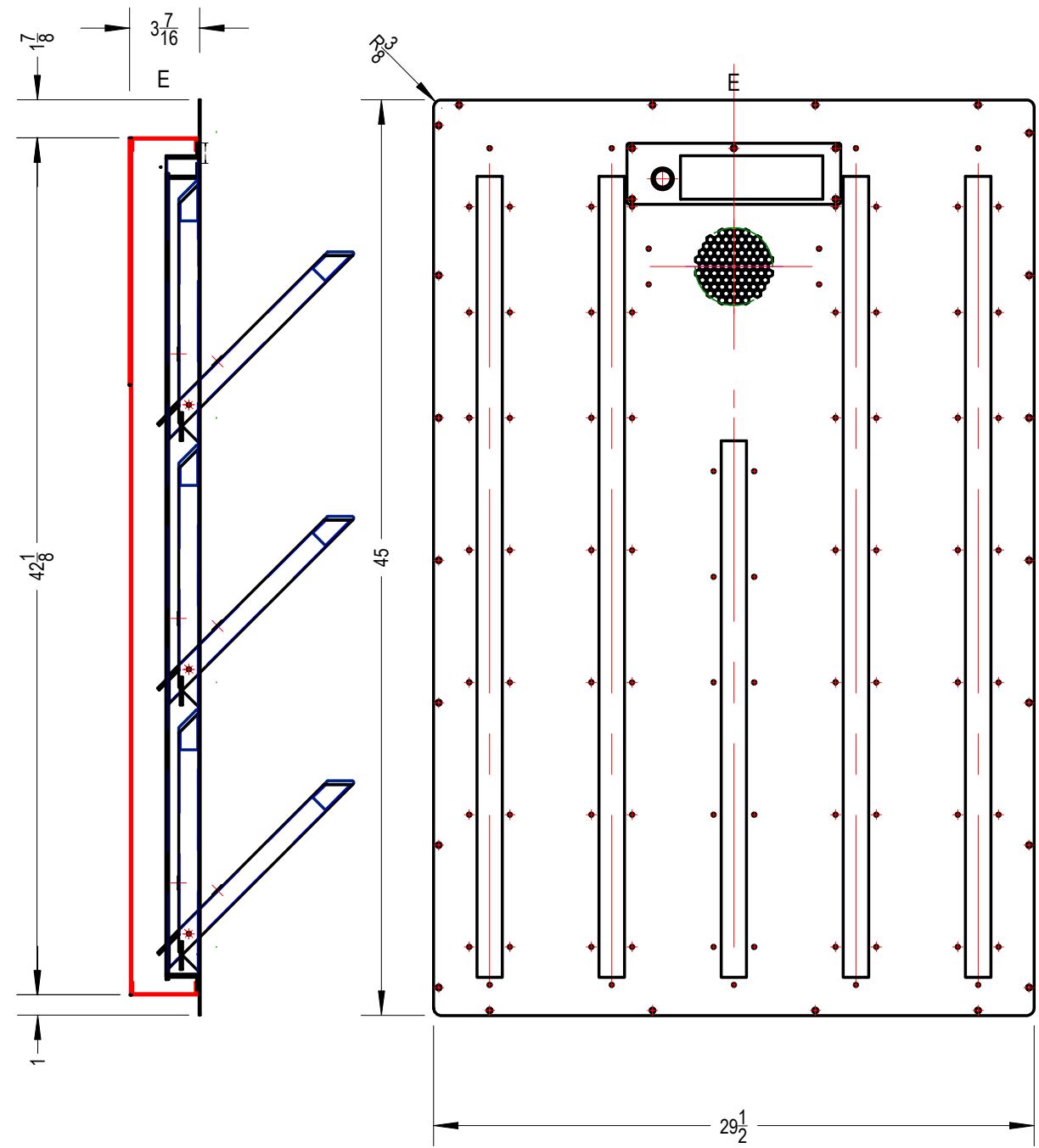
### SECTION VIEW LOOKING DOWN



IF THERE IS NO HEADER ACROSS TOP  
 INSTALL SMALL NAILER  
 ACROSS TOP AND BOTTOM  
 BEHIND SHEETROCK FOR SCREWS



SECTION VIEW SIDE TOP



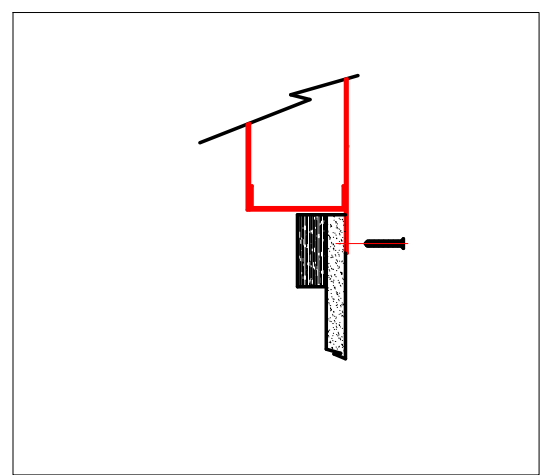
FOR INSTALLATION IN  
 ROUGH OPENING 27 1/2" X 43"

ELECTRICAL CONNECTION AT CENTER OF TOP  
 AS NOTED "E"

TIMER TO BE LOCATED REMOTELY BY INSTALLER  
 TIMER SUPPLIED: INTERMATIC EI230

110 V AC  
 1000 W  
 HEAT ON OFF SWITCH

INSTALL PER APPLICABLE ELECTRICAL CODE  
 BY LICENCED ELECTRICIAN



SECTION VIEW SIDE BOTTOM

PROJECT		
PUELICHE DRYER F7		
TITLE		
SPECIFICATIONS		
DWG NO	73815	REV
SCALE	JAN 2024	4
SHEET		

4

3



2

1