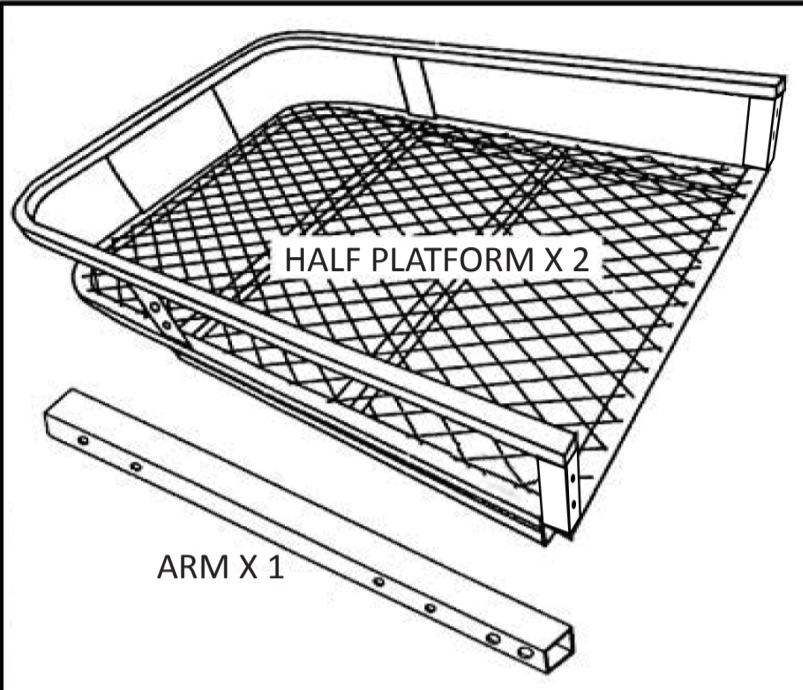
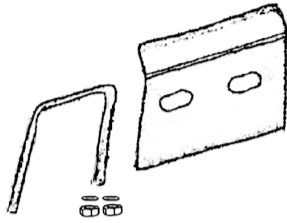
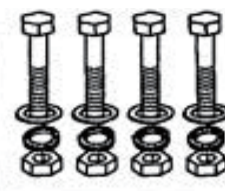
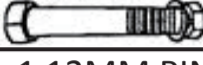

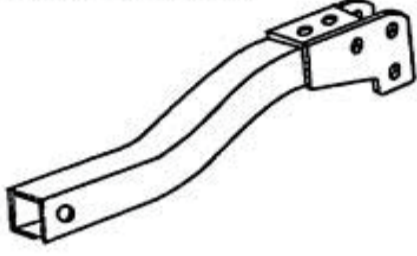
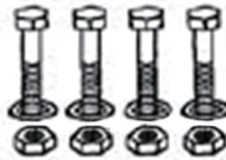



TUFFIOM HITCH MOUNT CARGO CARRIER INSTRUCTION

Sincerely thank you for shopping with us !

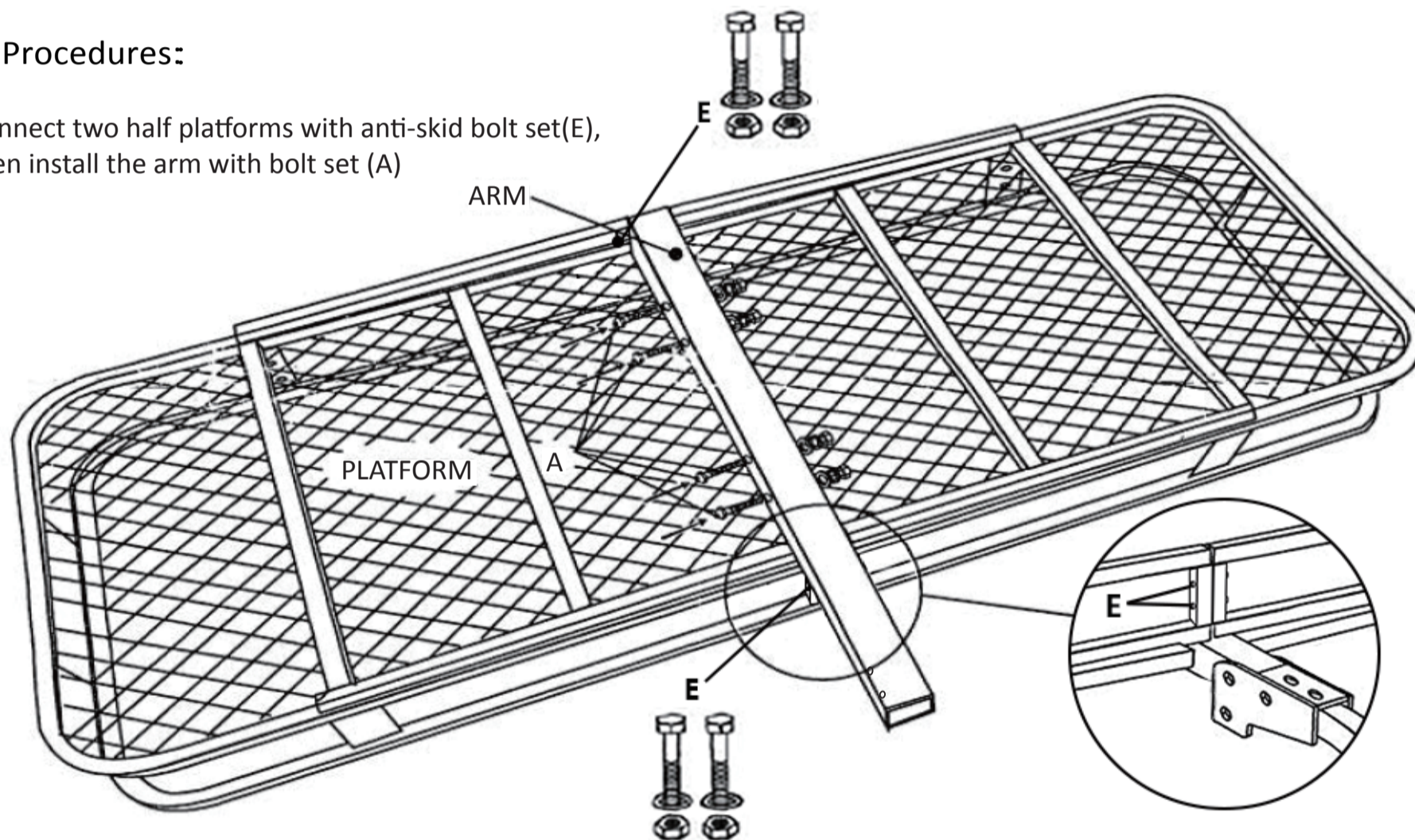
Package included:

(Make sure you have received everything listed below, feel free to contact us for any questions)

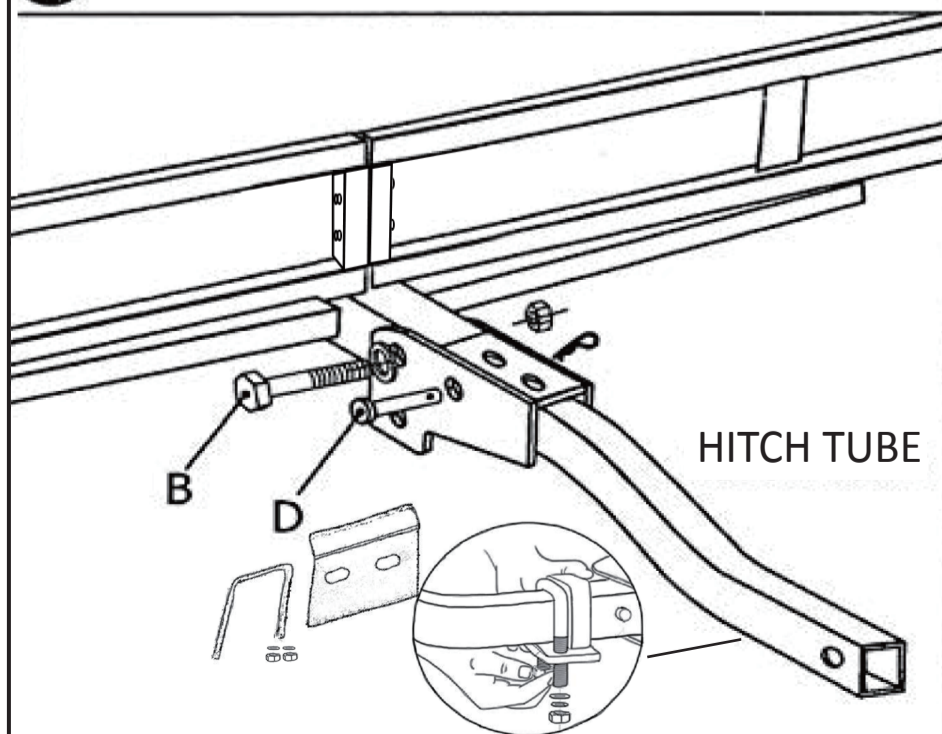
 <p>HALF PLATFORM X 2</p> <p>ARM X 1</p>	<p>Hitch Stabilizer</p> 	<p>Ax4 M 10X70 BOLT SET</p> 	<p>Bx1 M 12X75 SET</p> 	<p>Cx4 REFLECTOR STICKER</p> 
	<p>HITCH TUBE X 1</p> 	<p>Ex4 M10x70 ANTI - SKID BO SET</p> 	<p>Fx1 16MM PIN & CLIP SET</p> 	<p>PARTS & HARDWARES</p>

3-Step Procedures:

- 1 Connect two half platforms with anti-skid bolt set(E), then install the arm with bolt set (A)



- 2 CONNECT HITCH TUBE AND PLATFORM



- 3 MOUNT CARRIER TO HITCH RECEIVER

