



POOL FENCING HARDWARE



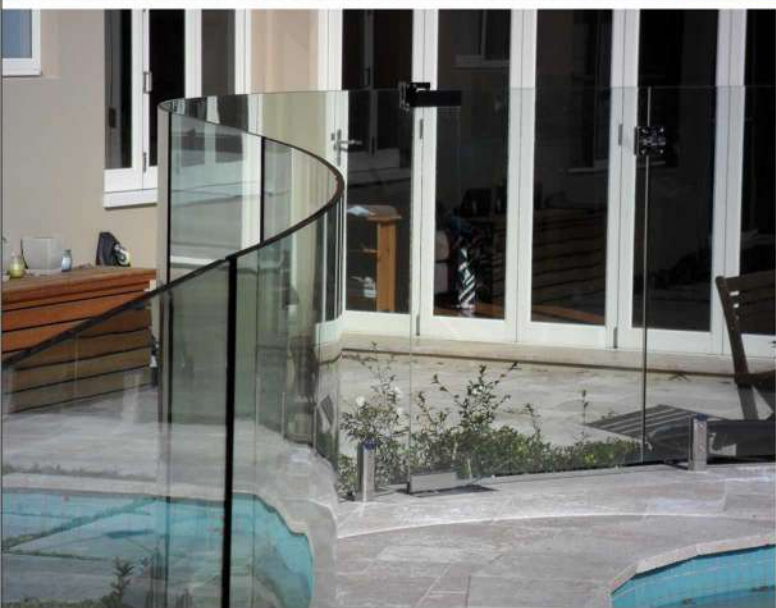
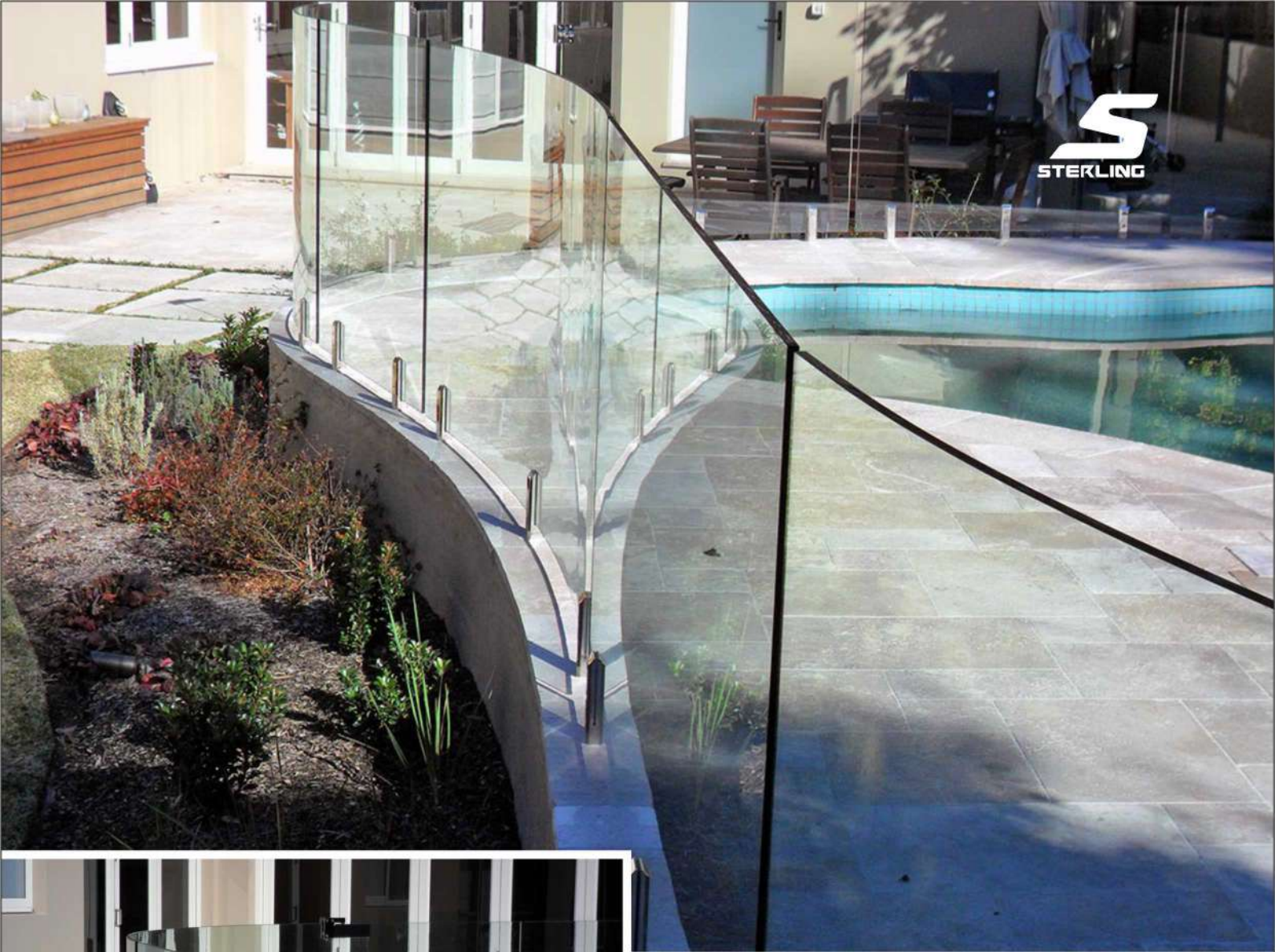
CONTENT

Pool Fencing

Spigots	:	PF2-PF3
Latch & Locks	:	PF4
Hydraulic Hinges	:	PF5

Tools & Accessories

Corrugated Sheet & Drill Bits	:	TA1
Silicone, Adhesive & Accessories	:	TA2
Tapes, Suction Cups, UV Glue & Levellers	:	TA3

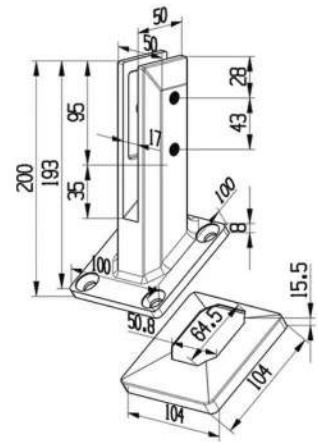


STERLING CURVED GLASS HARDWARE



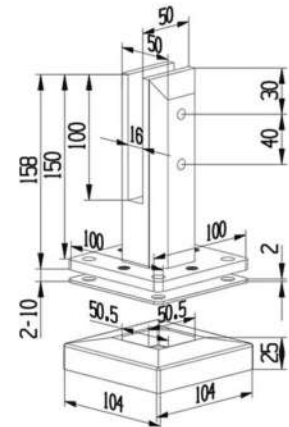
10900

Designed for : No Glass cutout
 Glass Thickness : 10-12mm
 Weight : 2.23Kg
 Outline Dimension : 200mm*104mm*104mm
 Material : 2205/304/316
 Application : Bevel / Slope



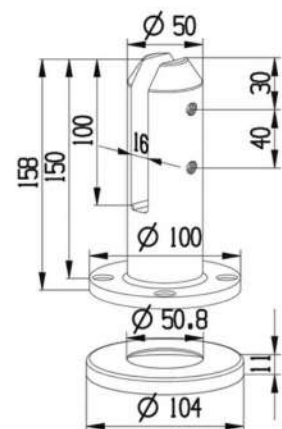
10902

Designed for : No Glass cutout
 Adjustable base
 Use : Indoor & outdoor
 Varieties : Top Mount
 Application : Balustrades
 Material : 2205 / SS316
 Glass thickness : 10-12mm
 Weight : 1.89kg



10902R

Designed for : No Glass cutout
 Glass Thickness : 10-12mm
 Weight : 1.75Kg
 Outline Dimension : 158mm*50mm
 Material : 2205/304/316
 Application : Glass railings,
 Pool fencing,
 Railings, etc.



Available Finishes



10911 - 90° GLASS TO WALL MAGNETIC LATCH LOCK



Type of Mounting	: Glass Mount
Safety Glass Thickness	: 12 mm
Finish	: BN
Height	: 100 mm
Width	: 61 mm
Length	: 100 mm
Material	: SS 316
Glass Drilling	: Required
Mounting Side	: Reversible
Product Type	: Bolt
Milling C/C	: 72 mm
Milling Diameter	: 16 mm

10912 - 90° GLASS TO GLASS MAGNETIC LATCH LOCK



Type of Mounting	: Glass Mount
Safety Glass Thickness	: 12 mm
Finish	: BN
Height	: 100 mm
Width	: 38 mm
Length	: 90 mm
Material	: SS 316
Glass Drilling	: Required
Mounting Side	: Reversible
Product Type	: Bolt
Milling C/C	: 72 mm
Milling Diameter	: 16 mm

10913 - 180° GLASS TO GLASS MAGNETIC LATCH LOCK



Type of Mounting	: Glass Mount
Safety Glass Thickness	: 12 mm
Finish	: BN
Height	: 100 mm
Width	: 61 mm
Length	: 100 mm
Material	: SS 316
Glass Drilling	: Required
Mounting Side	: Reversible
Product Type	: Bolt
Milling C/C	: 72 mm
Milling Diameter	: 16 mm

10914 - GLASS TO WALL MAGNETIC LATCH LOCK



Type of Mounting	: Glass Mount
Safety Glass Thickness	: 12 mm
Finish	: BN
Height	: 100 mm
Width	: 38 mm
Length	: 90 mm
Material	: SS 316
Glass Drilling	: Required
Mounting Side	: Reversible
Product Type	: Bolt
Milling C/C	: 72 mm
Milling Diameter	: 16 mm

10915 - SPRING-LOADED ADJUSTABLE 180° GLASS-TO-GLASS POOL HINGE



Mounting Side	: Reversible
Type of Mounting	: Glass Mount
Finish	: BN
Max Door Width	: 1,000 mm
Safety Glass Thickness	: 10 to 12 mm
Max Weight capacity for 2 hinges	: 40kg
Height	: 100 mm
Width	: 40 mm
Length	: 106mm
Material	: SS 316
Glass Drilling	: Required
Milling Diameter	: 16 mm

10916 - SPRING-LOADED ADJUSTABLE 90° GLASS TO WALL POOL HINGE



Mounting Side	: Reversible
Type of Mounting	: Wall Mount
Finish	: BN
Max Door Width	: 1,000 mm
Safety Glass Thickness	: 10 to 12 mm
Max Weight capacity for 2 hinges	: 40kg
Height	: 115 mm
Width	: 45 mm
Length	: 70 mm
Material	: SS 316
Glass Drilling	: Required
Milling Diameter	: 16 mm

Order Top & Bottom Patch Separately



10917

Pivot arm top-glass to solid wall



10918

Pivot arm top-glass to glass



10919

Pivot Top Bracket

Available Finishes



BN



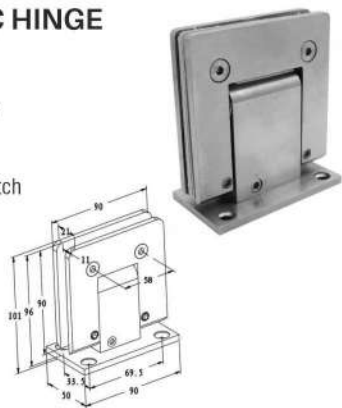
Sterling Pool Gate Latch & Pivot Arms



STANDARD DUTY GENOVA SERIES

10921 - HYDRAULIC HINGE WALL TO GLASS

Size : 90*101mm
 Glass : 10-12mm
 Categories : Glass Gate
 Hinge & Latch



10922 - HYDRAULIC HINGE GLASS TO GLASS - 180°

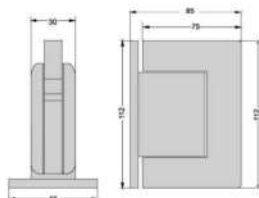
Size : 90*116mm
 Glass : 10-12mm
 Categories : Glass Gate
 Hinge & Latch



HEAVY DUTY VENTURA SERIES

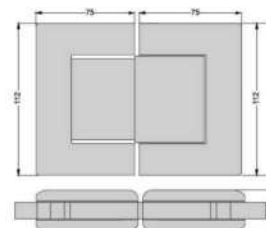
10923 - HYDRAULIC HINGE WALL TO GLASS

Size : 112*85mm
 Glass : 10-12mm
 Categories : Glass Gate
 Hinge & Latch



10924 - HYDRAULIC HINGE GLASS TO GLASS - 180°

Size : 112*156mm
 Glass : 10-12mm
 Categories : Glass Gate
 Hinge & Latch



Available Finishes





24000 - Corrugated Sheet

48"X96" - 4mm thick white sheet
Lightweight, Weather Resistant
And Moisture Resistant

GLASS DRILL BITS



**Glass Drill Bit Tip
Double R Hex Shank
Titanium Coated**

18105-5mm
18106-6mm
18108-8mm
18110-10mm
Drill bit-Pack of 10



**Glass Drill Bit Single Tip
With Round Shank
Sand Blasted**

80005-5mm
80006-6mm
80008-8mm
80010-10mm
Drill bit-Pack of 10



**Sand Blasted Cross
Power Tip Drill Bit
(Marble Granite & Tile)**

81005-5mm Drill Bit-Pack of 1
81006-6mm Drill Bit-Pack of 1
81010-10mm Drill Bit-Pack of 1

**Heavy Duty Chrome Milled
Concrete Masonry Drill Bit**

81038-10mm (3/8" x 5-7/8")



**Titanium Coated HSS M2
Drill Bit with Quick Change
Hex Shank**

81018-3mm Drill Bit Pack of 10

**Straight Shank Cobalt 5%
M35 Drill Bit For SS Pipe**

81018A-3mm Drill Bit Pack of 1 for SS

Hanger Bolt Driver

81018B

Magnetic Hanger Bolt Driver

81018MB

DIAMOND DRILL BITS

DDB18 3mm (1/8")	DDB316 5mm (3/16")	DDB14 6mm (1/4")	DDB38 10mm (3/8")
----------------------------	------------------------------	----------------------------	-----------------------------



DDB12 12mm (1/2")	DDB58 15mm (5/8")	DDB78 22mm (7/8")	DDB1 25.4mm (1")
-----------------------------	-----------------------------	-----------------------------	----------------------------



DDB114 (1 1/4") 30mm	DDB112 (1 1/2") 38.1mm	DDB2 (2") 50mm
--------------------------------	----------------------------------	--------------------------



DDB214 (2 1/4") 57mm	DDB212 (2 1/2") 63.5mm	DDB3 (3") 75mm
--------------------------------	----------------------------------	--------------------------



DDB312 (3 1/2") 88.9mm	DDB4 (4") 100mm
----------------------------------	---------------------------



DDB412 (4 1/2")
114.3mm



Excellent quality for quick hole drilling in glass & mirror.
Made out of Stainless Steel.

TILE BITS / CORRUGATED SHEET / OTHERS

Soudasil MULTI

Multi-purpose Clear Silicon

Excellent Adhesion To Glass, Ceramic, Porcelain, Metals, Wood & Many More

300ml cartridge
153247



Soudasil RTV3

Kitchen/Bath Silicon

Excellent Adhesion To Glass, Ceramic, Porcelain, Metals, Wood & Many More

300ml cartridge
143744



Silirub 2

Neutral Cure Silicon

Excellent Adhesion To Glass, Plastics, Masonry Substrates, Metals, And Wood.

300ml (cartridge),
600ml (sausage)
153211



Soudabond Subfloor

Collapsing Gel Adhesive for all Substrates

Soudabond Subfloor is a high strength, fast curing PU foam-to-gel adhesive. Excellent adhesion to almost all substrates, even moist surfaces. Protects against squeaks

858ml Gun
137648



T-Rex

High Strength Glue

T-rex Power Fast Grab Clear Is The Most Versatile High Strength Flexible Adhesive With 1 Second Immediate Grab. It Has Incredible High End Strength of 320kg's Per 10cm2

290ml cartridge
153210



Soudafoam Door & Window

Minimal Expansion, One Component, Moisture Curing PU Foam.

Excellent adhesion to almost all substrates. Excellent thermal and acoustical insulation. No shrinkage

750ml Gun
153209



Multi-functional Caulking Tool 65009



Silicone Caulking Tool (Stainless Steel Head), 5 in 1 Caulking Sealant Finishing Tool with Grout Scraper, 6 Exchange Silicone Pads, Adhesive Residue Scraper Seam Repair Tool Kit for Kitchen Bathroom

Stainless Steel Rust Removal Kit 65008



22oz 77 Plus - Remove Rust and Passivate
1 Quart Rust Rescue 200 - Protect Against Future Corrosion
Copper Sulfate Test Kit - Verify Passivation
5 Norton Bear-Tex Pads - Break up Heavy Rust

STERLING Heavy Duty Sausage Gun

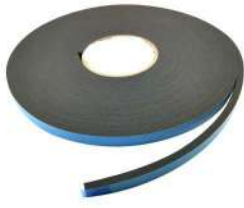


STERLING Heavy Duty Skeleton Gun



SILICON / ADHESIVE / OTHERS

Glazing & Tapes



Foam Tape



Double Tape



Masking Tape



Duct Tape



Glass Protector PE Film

UV Glue

65010GTG
Glass to Glass UV Glue

65010MTG
Metal to Glass UV Glue



Loctite 349 Impruv is an acrylic, high viscosity, UV light cure adhesive, which bonds and seals glass to glass or glass to metal components

Specifications:

Temperature Range: -65° to 266°

Color: Transparent to pale yellow

Size: 50ml

Substrates: Glass to Glass and Glass to Metal



65010T
UV Torch

Compact rechargeable Handheld UV Curing Light

Vacuum Suction Cups

PRODUCT FUNCTION



80000

Heavy Duty Air Pump Suction Cup



80001

Single Vacuum Glass Suction Cup



80002

Double Vacuum Glass Suction Cup



80003

Triple Vacuum Glass Suction Cup

Laser & Levellers

88001

Line Laser



TYPE: LINE LEVEL

BEAM COLOR: Green

ACCURACY: ±0.2 mm/m (±0.0002 in/in)

SELF-LEVELING: ±3°

SELF-LEVELING TYPE: Pendulum

LASER RANGE W/O DETECTOR: 30 m (100 ft)

LASER RANGE WITH DETECTOR: 60 m (200 ft)

INCLUDES 2 X rechargeable lithium batteries | Type-C USB charger | Multi-purpose magnetic mount | Carrying case

STANDARD IP65

88002

Digital Leveller



TYPE: DIGITAL

AVAILABLE LENGTHS: 25 cm (10" | 60 cm (24" | 120 cm (48")

DIGITAL ACCURACY: <0.1° at level & plumb | <0.2° at other angles

ACCURACY: ±0.5 mm/m (±0.0005 in/in)

88003

Cast Leveller



TYPE: CAST

AVAILABLE LENGTHS: 25 cm (10")

ACCURACY: ±0.5 mm/m (±0.0005 in/in)