



GLAZING & CANOPY SYSTEMS

STERLING
FACADE
SYSTEMS

CONTENT

Glazing & Canopy

Canopy Hardware	:	GC1
Spiders	:	GC2-GC5
Routels & Bolts	:	GC6
Splice & Fin Plates	:	GC7

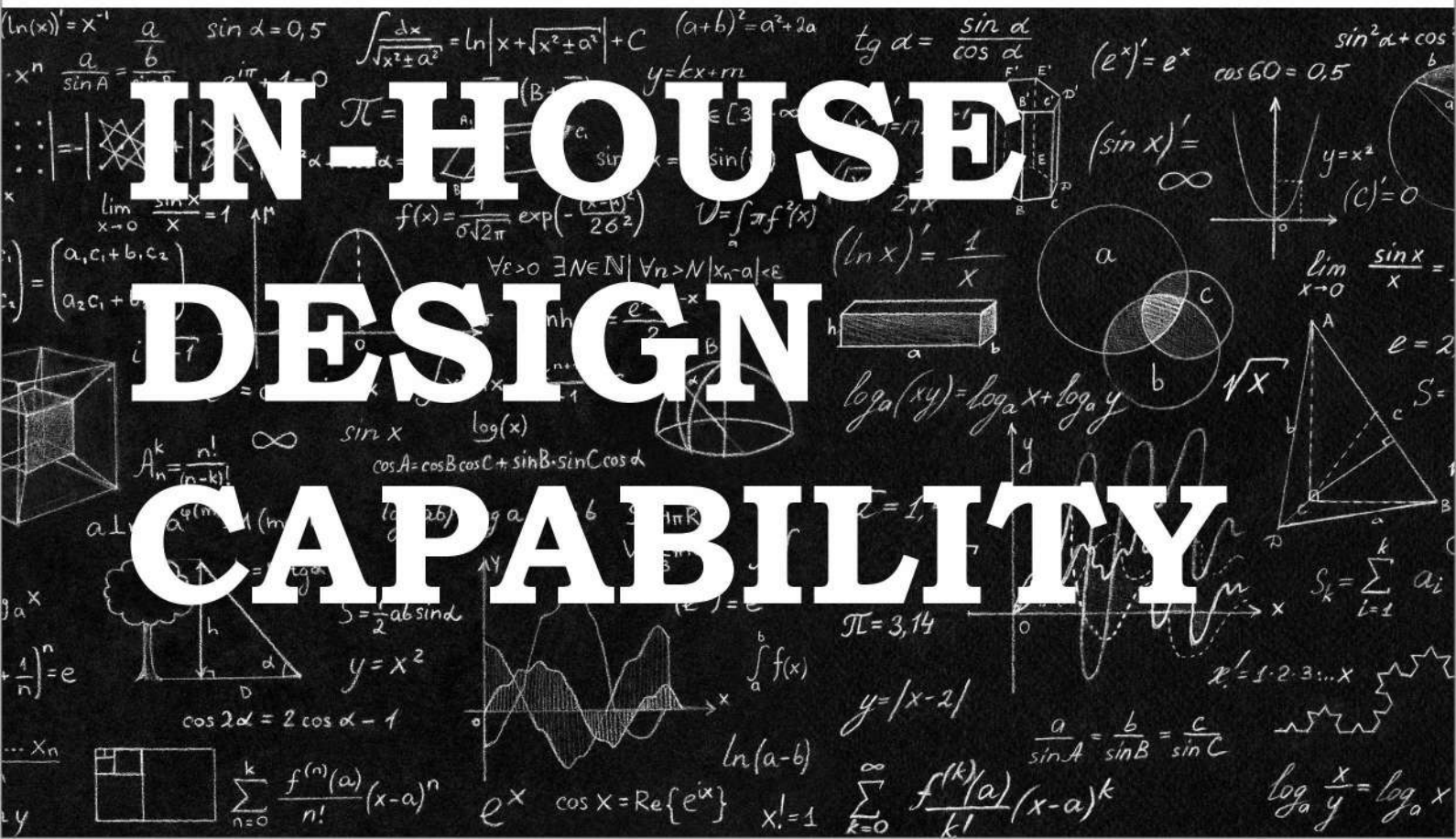
Pool Fencing

Tools & Accessories

STERLING GLASS FACADE WITH TENSION ROD SYSTEM

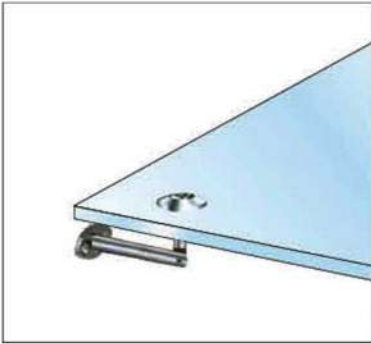


IN-HOUSE DESIGN CAPABILITY



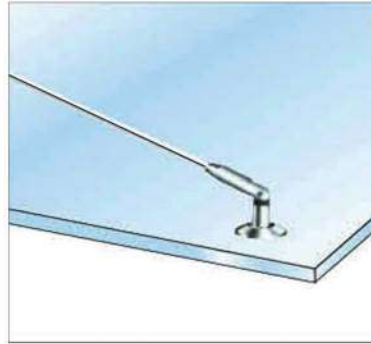
71151

Wall to Glass Connector



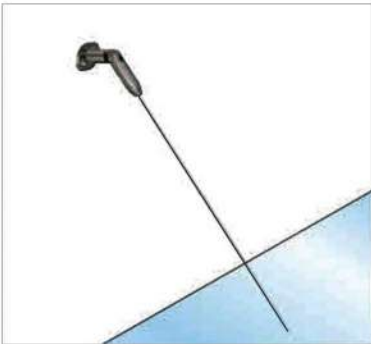
71152

Glass Holder Flexible



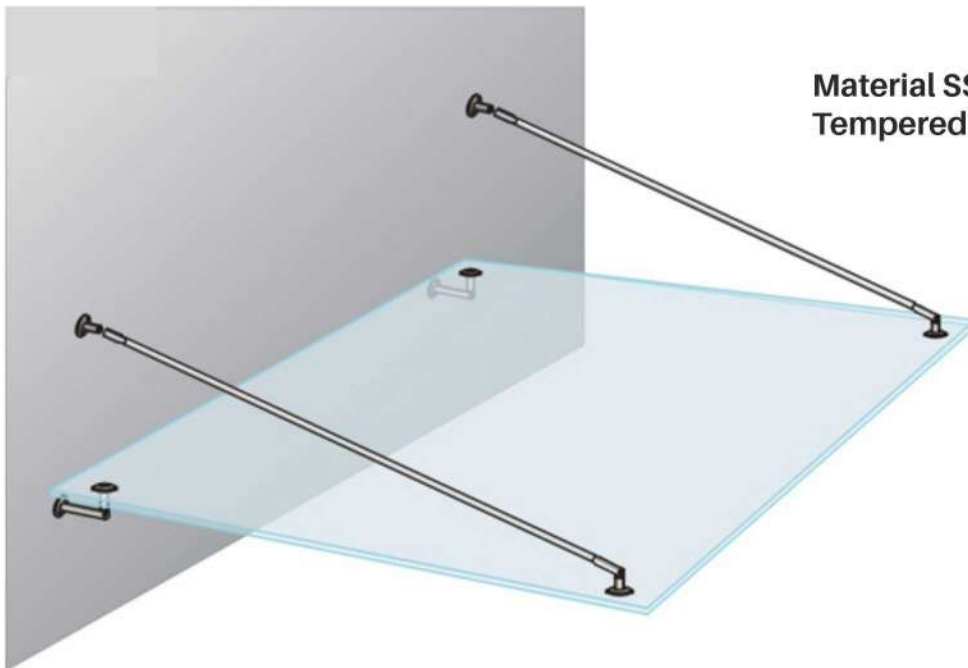
71153

Wall to Rod Connector Flexible



71154

Connecting Rods 48" / 60"



Material SS316
Tempered Glass 12mm to 15mm

Available Finishes

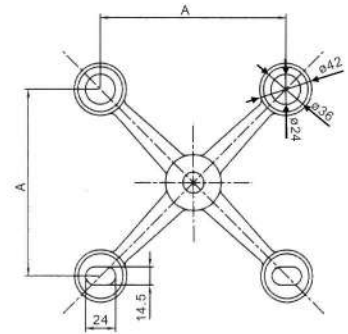


BN

4 POINT SPIDER - ROUND



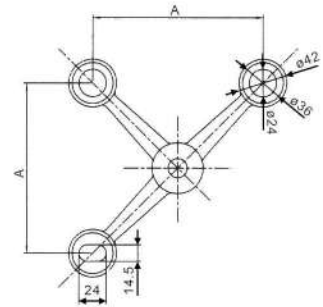
ITEM CODE	A
701150-4R	150
701200-4R	200
701250-4R	250
701300-4R	300



3 POINT SPIDER - ROUND



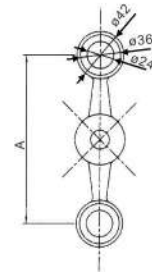
ITEM CODE	A
701150-3R	150
701200-3R	200
701250-3R	250
701300-3R	300



2 POINT SPIDER 180° - ROUND



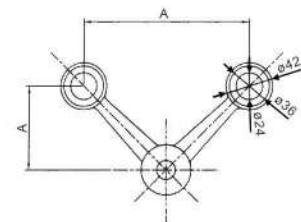
ITEM CODE	A
701150-2-180R	150
701200-2-180R	200
701250-2-180R	250
701300-2-180R	300



2 POINT SPIDER 90° - ROUND



ITEM CODE	A
701150-2-90R	150
701200-2-90R	200
701250-2-90R	250
701300-2-90R	300



Available Finishes



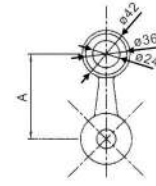
BN

Material : Stainless Steel 316
All sizes are in mm

1 POINT SPIDER SHORT ARM - ROUND



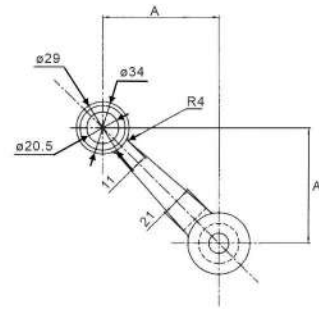
ITEM CODE	A
701150-1-SA	75
701200-1-SA	100
701250-1-SA	125
701300-1-SA	300



1 POINT SPIDER LONG ARM - ROUND



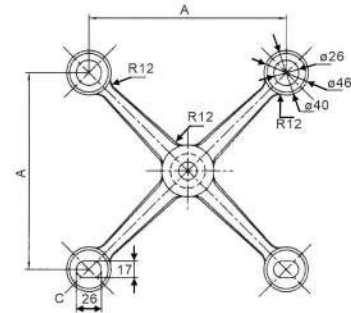
ITEM CODE	A
701150-1-LA	75
701200-1-LA	100
701250-1-LA	125
701300-1-LA	300



4 POINT SPIDER - SQUARE



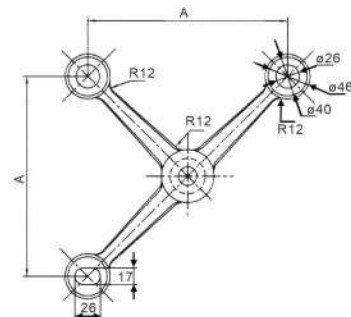
ITEM CODE	A
701150-4F	150
701200-4F	200
701250-4F	250
701300-4F	300



3 POINT SPIDER - SQUARE



ITEM CODE	A
701150-3F	150
701200-3F	200
701250-3F	250
701300-3F	300



Available Finishes



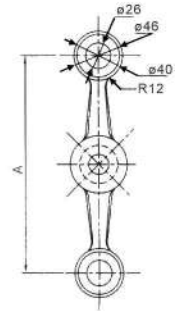
BN

Material : Stainless Steel 316
All sizes are in mm

2 POINT SPIDER 180° - SQUARE



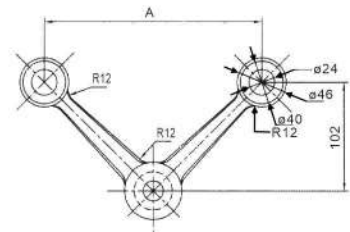
ITEM CODE	A
701150-2-180F	150
701200-2-180F	200
701250-2-180F	250
701300-2-180F	300



2 POINT SPIDER 90° - SQUARE



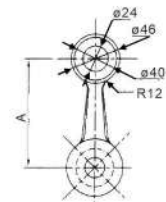
ITEM CODE	A
701150-2-90F	150
701200-2-90F	200
701250-2-90F	250
701300-2-90F	300



1 POINT SPIDER SHORT ARM - SQUARE



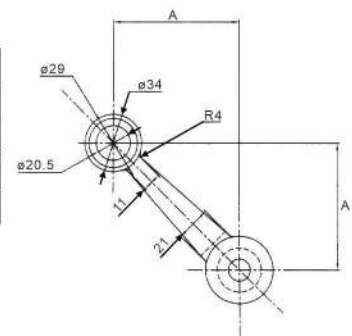
ITEM CODE	A
701150-1-SAF	75
701200-1-SAF	100
701250-1-SAF	125
701300-1-SAF	150



1 POINT SPIDER LONG ARM - SQUARE



ITEM CODE	A
701150-1-LAF	75
701200-1-LAF	100
701250-1-LAF	125
701300-1-LAF	150



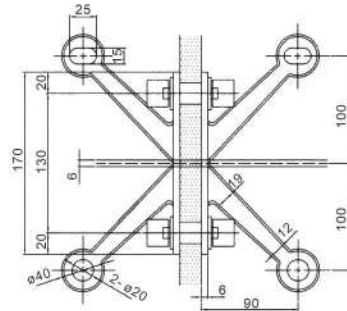
Available Finishes



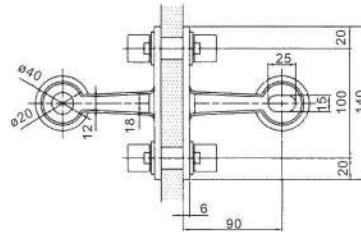
BN

Material : Stainless Steel 316
All sizes are in mm

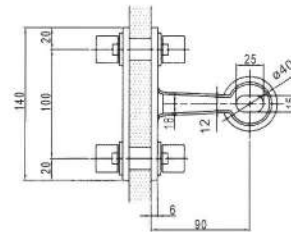
711200-4 - SQUARE
4 POINT SPIDER WITH FIN



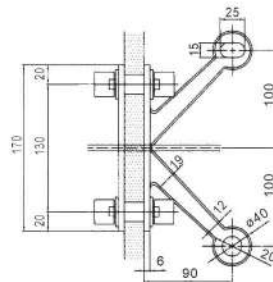
711200-2-180 - SQUARE
2 POINT SPIDER 180° WITH FIN



711200-1-90 - SQUARE
1 POINT SPIDER 90° WITH FIN



711200-2-90 - SQUARE
2 POINT SPIDER 90° WITH FIN



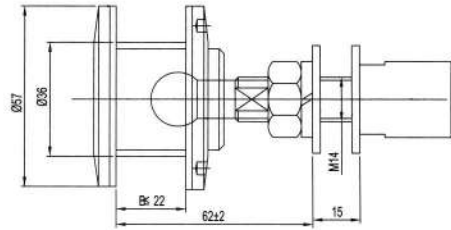
Available Finishes



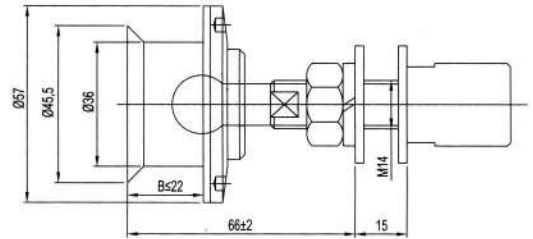
BN

Material : Stainless Steel 316
All sizes are in mm

701-R01 (For 12-17mm Tempered Glass)
701-R11 (For 18-21mm Tempered Glass)
ARTICULATED ROUTEL - FLAT HEAD

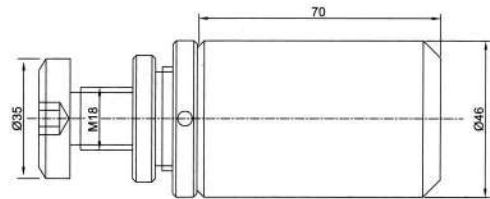


701-R02
ARTICULATED ROUTEL - COUNTER SUNK HEAD



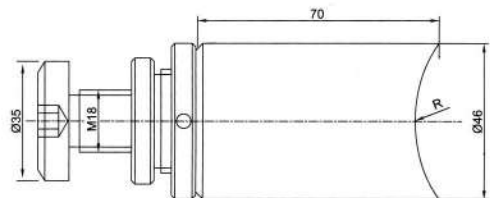
SPIDER BOLT-ADJUSTABLE (FLAT BASE)

- 701-A01-1 (1" Long Standoff)**
- 701-A01-2 (2" Long Standoff)**
- 701-A01-3 (3" Long Standoff)**
- 701-A01-4 (4" Long Standoff)**



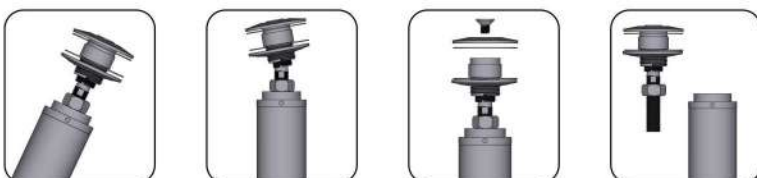
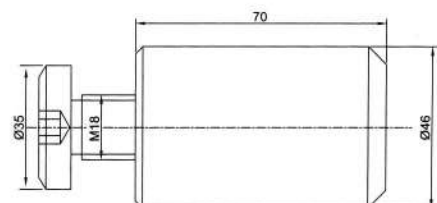
SPIDER BOLT-ADJUSTABLE (CURVE BASE)

- 701-A02-1 (1" Long Standoff)**
- 701-A02-2 (2" Long Standoff)**
- 701-A02-3 (3" Long Standoff)**
- 701-A02-4 (4" Long Standoff)**



SPIDER BOLT-FIXED (FLAT BASE)

- 701-A03-1 (1" Long Standoff)**
- 701-A03-2 (2" Long Standoff)**
- 701-A03-3 (3" Long Standoff)**
- 701-A03-4 (4" Long Standoff)**



Material : Stainless Steel 316

Pictures shown for reference purpose only.
 Log on to website for more product information

SPLICE PLATES

721170SP
SPLICE PLATE - 170MM



FIN PLATES

721150FP
FIN PLATE - 150MM



721501
ADJUSTABLE BRACKET
(Round / Flat)



721200SP
SPLICE PLATE - 200MM



721200FP
FIN PLATE - 200MM



721601
Heavy Duty Single Arm
Side Mount
Spider Bracket



721250SP
SPLICE PLATE - 250MM



721300FP
FIN PLATE - 300MM



721602
Heavy Duty Two Arm
Side Mount
Spider Bracket



721300SP
SPLICE PLATE - 300MM



721350FP
FIN PLATE - 350MM



TENSION ROD SYSTEM
Materials : SS-316

Dimensions / Type Tailored
Products And Solutions
On Demand

M08 M10 M12 M14 M16 M18
M20 M22 M24

721350SP
SPLICE PLATE - 350MM



721400FP
FIN PLATE - 400MM



Material : Stainless Steel 316