

A photograph of a modern glass railing system. The railing consists of clear glass panels held together by metal brackets. The handrails are illuminated from within, casting a warm, golden glow. The background shows a blurred outdoor setting with trees and a building.

GLASS RAILING SYSTEMS

STERLING
FRAMELESS
RAILINGS

CONTENT

Frameless Glass Railing Systems

Standoff	:	GR2-GR5
Base Shoe System	:	GR6-GR7
Heavy Duty Base Shoe	:	GR8-GR9
Spigots	:	GR10
Glass Clamps & Bracket	:	GR12-GR14
Post & Post Accessories	:	GR15-GR17
Top Cap & Fittings	:	GR18-GR23
Hand Rail & Handrail Fittings	:	GR24-GR32
LED Handrail	:	GR33
Cable Railing	:	GR34-GR39

Architectural Hardware

Glazing & Canopy

Pool Fencing

Tools & Accessories

FRAMELESS GLASS RAILING



STAND OFF SERIES



Available Finishes



CH BN MB MG

Sterling offers wide variety of solid and hollow profile standoffs. Most common sizes are ready stock in all finishes be it SS304/316 grade.

GR2

 info@sterlinghardware.ca

 (604) 593-5950

 www.sterlinghardware.ca

ROUND PROFILE



PRE ASSEMBLED STANDOFF WITH 4" HANGER BOLT AND CAP

Code	Finish	Base Dia	Base Height	Profile	Thread Size	Grade
45001	MG	2"	0.25"	Round	3/8"	304
45002	MG	2"	0.50"	Round	3/8"	304
45003	MG	2"	1.00"	Round	3/8"	304
45004	MG	2"	1.50"	Round	3/8"	304
45005	MG	2"	2.00"	Round	3/8"	304

MG: MATT GOLD



PRE ASSEMBLED STANDOFF WITH 4" HANGER BOLT AND CAP

Code	Finish	Base Dia	Base Height	Profile	Thread Size	Grade
45413	MB	2"	1.00"	Round	3/8"	304
45414	MB	2"	1.25"	Round	3/8"	304
45415	MB	2"	1.50"	Round	3/8"	304
45417	MB	2"	2.00"	Round	3/8"	304
45418	MB	2"	2.50"	Round	3/8"	304
45419	MB	2"	3.00"	Round	3/8"	304

MB: MATT BLACK



PRE ASSEMBLED STANDOFF WITH 4" HANGER BOLT AND CAP

Code	Finish	Base Dia	Base Height	Profile	Thread Size	Grade
45413	CH	2"	1.00"	Round	3/8"	304
45414	CH	2"	1.25"	Round	3/8"	304
45415	CH	2"	1.50"	Round	3/8"	304
45417	CH	2"	2.00"	Round	3/8"	304
45418	CH	2"	2.50"	Round	3/8"	304

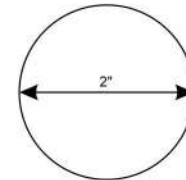
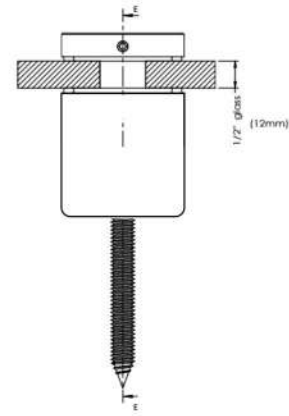
CH: CHROME



PRE ASSEMBLED STANDOFF WITH 4" HANGER BOLT AND CAP

Code	Finish	Base Dia	Base Height	Profile	Thread Size	Grade
45413	BN	2"	1.00"	Round	3/8"	304
45414	BN	2"	1.25"	Round	3/8"	304
45415	BN	2"	1.50"	Round	3/8"	304
45417	BN	2"	2.00"	Round	3/8"	304
45418	BN	2"	2.50"	Round	3/8"	304

BN: BRUSHED NICKLE



80011
STANDOFF
WRENCH



80028
STANDOFF
TOOL

STANDOFF SERIES

SQUARE PROFILE



PRE ASSEMBLED STANDOFF WITH 4" HANGER BOLT AND CAP

Code	Finish	Width	Height	Profile	Thread Size	Grade
47001	MG	2"	1"	Square	3/8"	304
47002	MG	2"	1.5"	Square	3/8"	304
47003	MG	2"	2"	Square	3/8"	304

MG: MATT GOLD



PRE ASSEMBLED STANDOFF WITH 4" HANGER BOLT AND CAP

Code	Finish	Width	Height	Profile	Thread Size	Grade
47001	MB	2"	1"	Square	3/8"	304
47002	MB	2"	1.5"	Square	3/8"	304
47003	MB	2"	2"	Square	3/8"	304

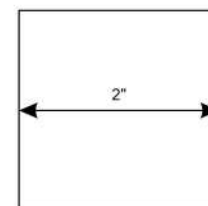
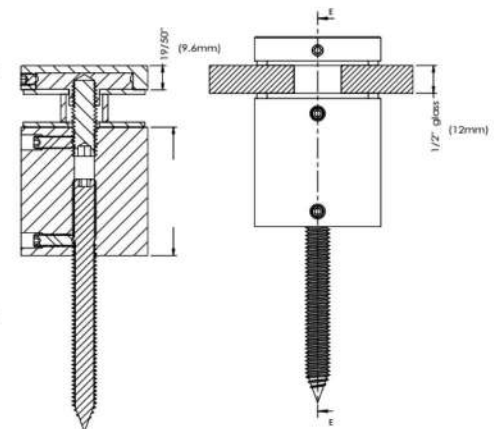
MB: MATT BLACK



PRE ASSEMBLED STANDOFF WITH 4" HANGER BOLT AND CAP

Code	Finish	Width	Height	Profile	Thread Size	Grade
47001	BN	2"	1"	Square	3/8"	304
47002	BN	2"	1.5"	Square	3/8"	304
47003	BN	2"	2"	Square	3/8"	304

BN: BRUSHED NICKLE



STERLING STANDOFF ORDERING GUIDE-SS316

STANDOFF BASE 3/8" THREAD PROFILE

CODE	FINISH	BASE DIA	BASE HEIGHT
46101A	BN	1.5"	0.25
46102	BN	1.5"	0.50
46102A	BN	1.5"	0.75
46103	BN	1.5"	1.00
46103A	BN	1.5"	1.25
46104	BN	1.5"	1.50
46104A	BN	1.5"	1.75
46105	BN	1.5"	2.00
46101A	MB	1.5"	0.25
46102	MB	1.5"	0.50
46102A	MB	1.5"	0.75
46103	MB	1.5"	1.00
46103A	MB	1.5"	1.25
46104	MB	1.5"	1.50
46104A	MB	1.5"	1.75
46105	MB	1.5"	2.00

STANDOFF BASE 3/8" THREAD PROFILE

CODE	FINISH	BASE DIA	BASE HEIGHT
44001	BN	2"	0.125
44001A	BN	2"	0.25
44002	BN	2"	0.50
44002A	BN	2"	0.75
44003	BN	2"	1.00
44003A	BN	2"	1.25
44004	BN	2"	1.50
44004A	BN	2"	1.75
44005	BN	2"	2.00
44005A	BN	2"	2.25
44006	BN	2"	2.50
44006A	BN	2"	2.75
44007	BN	2"	3.00
44024	BN	2"	4.00
44025	BN	2"	5.00
44026	BN	2"	6.00

CAPS

CODE	FINISH	BASE DIA	THREAD
44015	BN	2"	3/8"
44015	MB	2"	3/8"
44015	MG	2"	3/8"
46015	BN	2"	1/2"
46015	MB	2"	1/2"
46015	MG	2"	1/2"

GASKET

CODE	FINISH	THICKNESS	STYLE
44025G	MB/CLEAR	3/8"	FLAT 2"
44026G	MB/CLEAR	3/8"	WITH LIP 2"
44027G	MB/CLEAR	1/2"	FLAT 2"
44028G	MB/CLEAR	1/2"	WITH LIP 2"
44029G	MB/CLEAR	3/8"	FLAT 1.5"
44030G	MB/CLEAR	3/8"	WITH LIP 1.5"
44031G	MB/CLEAR	3/8"	FLAT 2X2

HANGER BOLT

CODE	GRADE	LENGTH	THREAD
45041	ZINC	4"	3/8"
45051	ZINC	5"	3/8"
45061	ZINC	6"	3/8"
46040	SS	4"	1/2"
46050	SS	5"	1/2"
46060	SS	6"	1/2"

STANDOFF BASE 1/2" THREAD PROFILE

CODE	FINISH	BASE DIA	BASE HEIGHT
46001	BN	2"	0.25
46002	BN	2"	0.50
46003	BN	2"	1.00
46004	BN	2"	1.50
46005	BN	2"	2.00
46001	MB	2"	0.25
46002	MB	2"	0.50
46003	MB	2"	1.00
46004	MB	2"	1.50
46005	MB	2"	2.00
44003	CH	2"	1.00
44004	CH	2"	1.50
44005	CH	2"	2.00

STANDOFF BASE 3/8" THREAD PROFILE

CODE	FINISH	BASE DIA	BASE HEIGHT
44001	MB	2"	0.125
44001A	MB	2"	0.25
44002	MB	2"	0.50
44002A	MB	2"	0.75
44003	MB	2"	1.00
44003A	MB	2"	1.25
44004	MB	2"	1.50
44004A	MB	2"	1.75
44005	MB	2"	2.00
44005A	MB	2"	2.25
44006	MB	2"	2.50
44006A	MB	2"	2.75
44007	MB	2"	3.00
44024	MB	2"	4.00
44025	MB	2"	5.00
44026	MB	2"	6.00

HANGER BOLT

CODE	GRADE	THREAD	TOTAL LENGTH
45020	SS	3/8"	2"
45025	SS	3/8"	2.5"
45030	SS	3/8"	3"
45035	SS	3/8"	3.5"
45040	SS	3/8"	4"
45045	SS	3/8"	4.5"
45050	SS	3/8"	5"
45060	SS	3/8"	6"
45070	SS	3/8"	7"
45080	SS	3/8"	8"
45100	SS	3/8"	10"

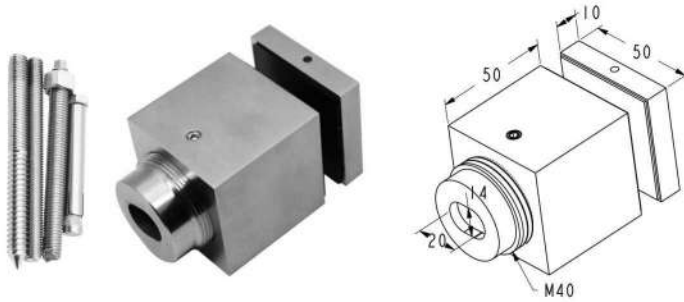
THREADED RODS FOR CAPS

CODE	THREAD	GRADE	HEIGHT
45042-1	3/8"	316	1.00"
45042-1.25	3/8"	316	1.25"
45042-1.50	3/8"	316	1.50"
45042-1.75	3/8"	316	1.75"
45042-2.00	3/8"	316	2.00"
45043-1	1/2"	316	1.00"
45043-1.25	1/2"	316	1.25"
45043-1.5	1/2"	316	1.50"
45043-2.0	1/2"	316	2.00"



Adjustable Standoff Round Profile

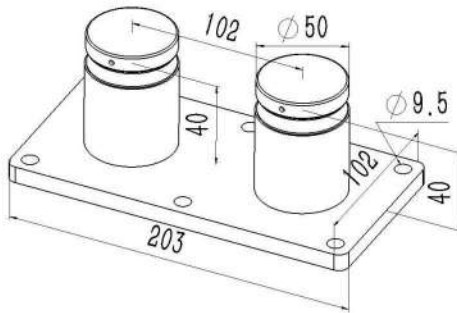
CODE	FINISH	DIA	LENGTH	GRADE	STYLE
45505	BN	2"	1.5"	304	ROUND
45506	BN	2"	2"	304	ROUND
45505	MB	2"	1.5"	304	ROUND
45506	MB	2"	2"	304	ROUND



Adjustable Standoff Square Profile

CODE	FINISH	DIA	LENGTH	GRADE	STYLE
45505SQ	BN	2"	1.5"	304	SQUARE
45506SQ	BN	2"	2"	304	SQUARE
45505SQ	MB	2"	1.5"	304	SQUARE
45506SQ	MB	2"	2"	304	SQUARE

44010 Material: SS316

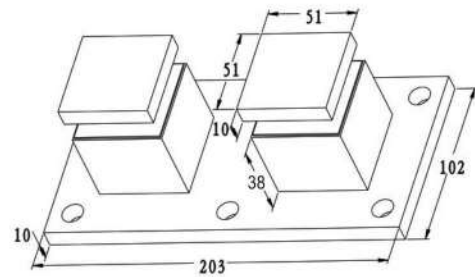


- For 1/2" to 13/16" Tempered Glass
- 4" x 8" Wall Mount Plate with 2" Diameter Standoffs Spaced 4" Centre-to-Centre
- Required Two 3/4" (19mm) Diameters Holes in the Glass
- 44010-38 (38mm Standoff Base Height)
- 44010-45 (45mm Standoff Base Height)
- 44010-50 (50mm Standoff Base Height)

Available Finishes



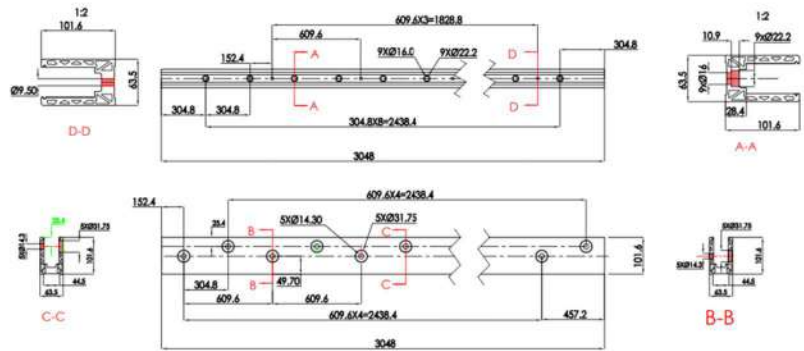
47005 Material: SS316



- For 1/2" to 13/16" Tempered Glass
- 4" x 8" Wall Mount Plate with 2" Square Standoffs Spaced 4" Centre-to-Centre
- 2-pieces Cap Design Ensures Proper Alignment with Standoff Base
- Required Two 3/4" (19mm) Diameters Holes in the Glass
- 47005-38 (38mm Standoff Base Height)
- 47005-45 (45mm Standoff Base Height)
- 47005-50 (50mm Standoff Base Height)

COMBO [Side/Bottom] with Drainage Holes

15125



HOLLOW BASE SHOE PROFILE

15012-CH, MB, MG, BN - Cladding For 15125/15020



STANDARD DUTY BASE SHOE DRY GLAZING SYSTEM

Material : T5 Aluminum 6063
 Stock Length : 10'
 Glass Thickness : 12mm

STERLING Innovative Design for Hollow Base Shoe Brings Ease to Contractors When Installing Side or Bottom at Job Site, Having Drainage Holes Every 12 Inches. It is an excellent Idea for Rain Water Drainage.

16000

Sterling ZENITH Series Super Adjustable Lock provides Tilt & Straight Option in either Direction, Easy Access to tighten the Bolts

Adjustable Clamp for Dry Glazing/Wet Glazing. Interior or exterior Application.

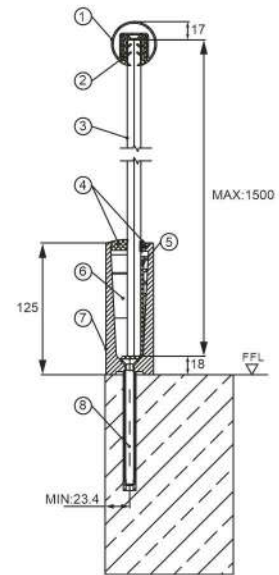
Can be used with 15125/15020.

FRAMELESS GLASS RAILING



15126

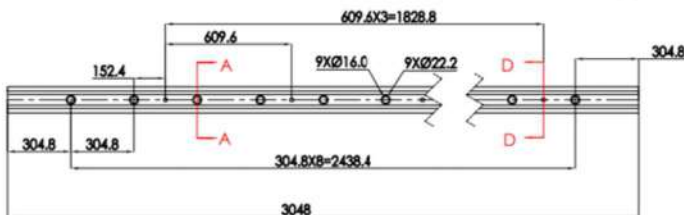
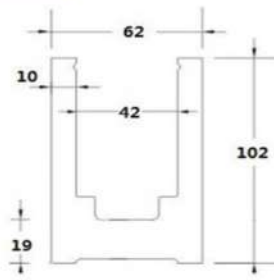
SOLID BASE SHOE PROFILE-STANDARD DUTY



1. Slot tube (AISI304/316)
2. Rubber (EPDM)
3. Glass (10mm~17.52mm)
4. Rubber (EPDM)
5. Block A (ABS)
6. Fixed block B (ABS)
7. Aluminum profile (6063)
8. Expansion bolt (304)

15020

SOLID BASE SHOE PROFILE - HEAVY DUTY



Usage : Interior, Exterior, Glass Railing & Wind Screen Application
 Material : Aluminium 6063 T5
 Stock Length : 10' / 20' (15020-10, 15020-20)
 Hole Drilled every 12" [Side/Bottom Mount]

15009-SS



Stainless Steel Anchor for Interior use

17000-GSA



Galvanised Anchor for Exterior use



15013-End Cap for 15125/15020
 15012-Cladding for 15125/15020



Available Finishes



BASE SHOE SYSTEM

FRAMELESS GLASS RAILING

BASE SHOE SYSTEM

STERLING **ROBUST™** BASE SHOE SYSTEM - ONE SIZE FITS ALL

12mm

15mm

17mm

19mm

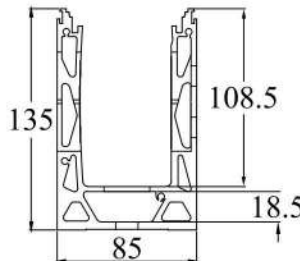
21mm

25mm

STERLING ROBUST™ Aluminum base shoe glass railing is perfectly engineered, for Guardrails and Windscreens. Boost your design confidently. Superior blend of style and strength for your project.

STERLING ROBUST™ Base Shoe System:

- **STERLING ROBUST™** Base Shoe System holds glass thickness from 12mm (1/2") to 25mm (1"), is engineered tested and stamped for National Building Code
- Fully Adjustable for 3 Degrees to Left and Right allowing versatile installation
- Quick and easy installation method, easy access to tighten the fasteners from top of the shoe.
- Made of 6063-T5 Aluminum
- Ultra **Robolocking** System allows strength for commercial grade installation (Designed in Europe)
- Holes drilled for both Facia and Top mount in each channel with drainage holes



16125



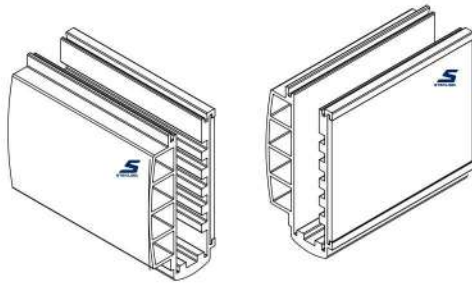
16128
Top Linear Gasket



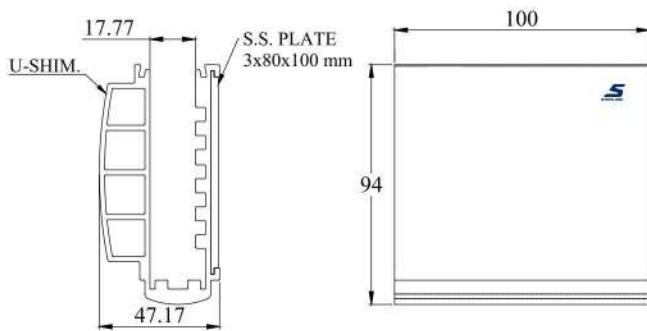
*GASKET /SHIMS AND CLADDING SOLD SEPARATELY

FRAMELESS GLASS RAILING

STERLING **ROBUST™** BASE SHOE SYSTEM

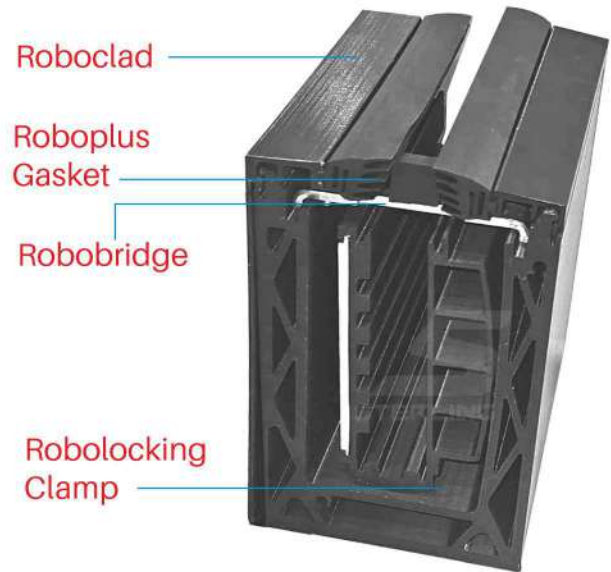


Ultra **Robolocking** system allows glass thickness of 12mm to 25mm to fit in tight with our design, allows 3 degree of tilt and adjustment with glass.

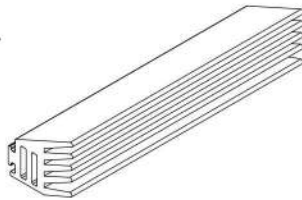


Robolocking Adj. Clamp Guide

Code	Glass thickness (in)	Glass thickness (mm)
16126-12	1/2"	12.70 mm
16126-15	9/16"	14.30 mm
16126-17	11/16"	17.48 mm
16126-19	3/4"	19.05 mm
16126-21	13/16"	21.00 mm
16126-25	1"	25.40 mm



16128 EPDM GASKET



Roboplus Gasket

Heavy duty wedge glazing EPDM gasket

16127 ALUMINUM CLADDING



Roboclad

Aluminum cladding with integrated gasket profile

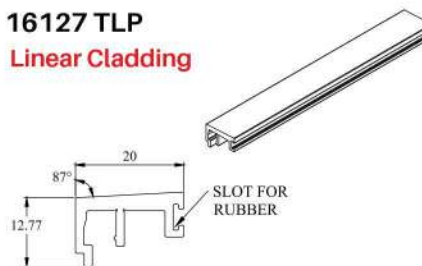
Code	Finish	Material
16127BN	Brushed Nickle	Aluminum
16127MB	Matt Black	Aluminum
16127SA	Satin Anodized	Aluminum
16127MG	Matt Gold	Aluminum

16129 Robo ADJ. GLASS LIFTER

Advance Design of **Robolifter** is a Revolutionary product, lift Glass panels up to 4mm after installation, permits laser like symmetry on top. Easy access from top of the channel.



16127 TLP Linear Cladding



15009 SS304 Lagger Bolt for wood 3/8" x 4"

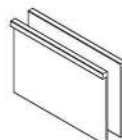


16130 Robobridge

Robobridge allows weight load capacity increase from 3kn to 9kn in no time. To be installed Every meter or between the two glass panels.



Roboshim



16125EC Robo End Cap

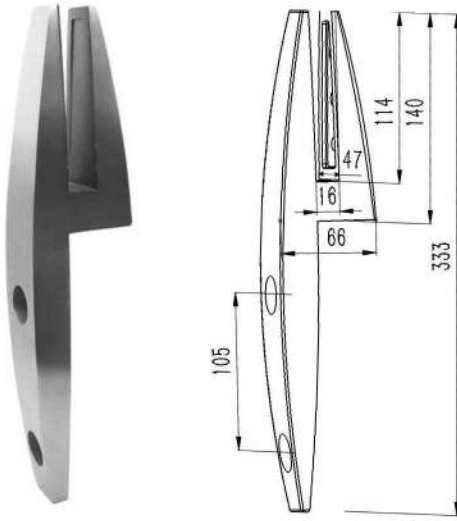


11280-SS SS304 Anchor for concrete 3/8" x 4"



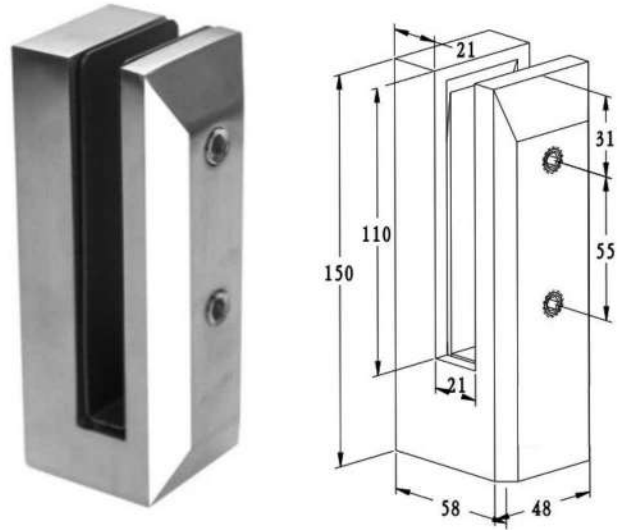
FRAMELESS GLASS RAILING

10906



Name	Facia Mount Glass Spigot
Size	333x66x35mm
Material	316
Glass	10-12mm
WT(KGS)	2.3/2.65KG

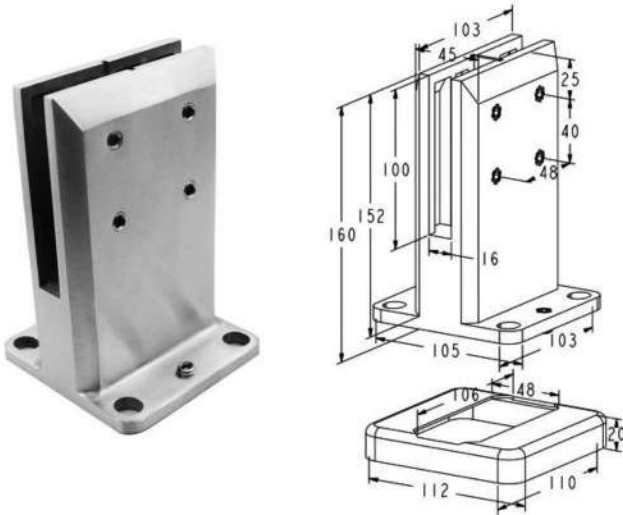
10903



Name	Side Mount Glass Spigot
Size	150x58x48mm
Material	316, 304
Glass	10-12mm
WT(KGS)	1.85KG

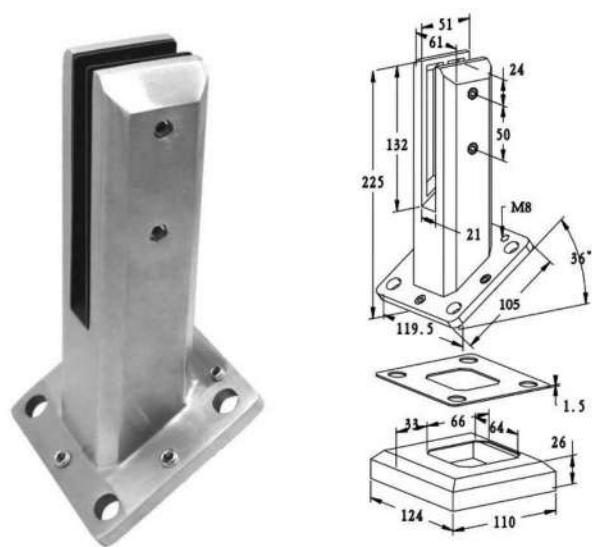
Available in Different Styles

10902-180S



Name	Bottom Mount 180° Straight Glass Spigot
Size	160x103x45mm
Material	316, 304
Glass	10-12mm
WT(KGS)	2.5KG

10900



Name	Tangent Mount Glass Spigot
Size	51x61x225mm
Material	316, 304
Glass	10-12mm
WT(KGS)	2KG

Available Finishes

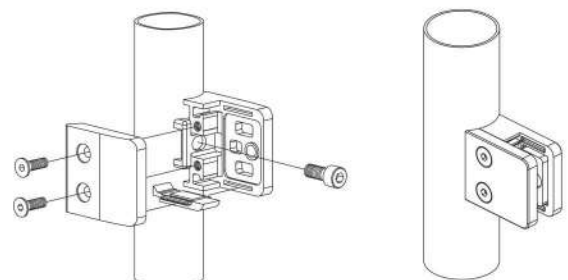
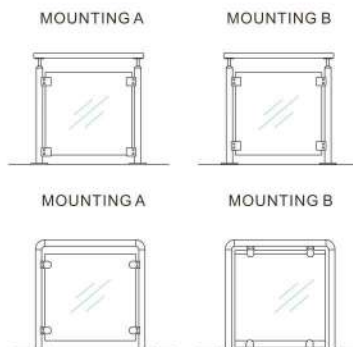
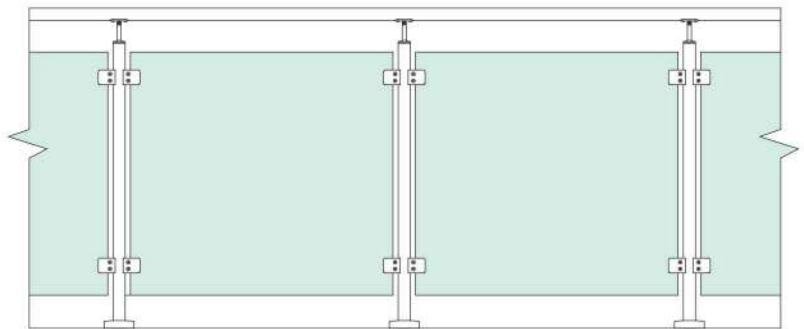
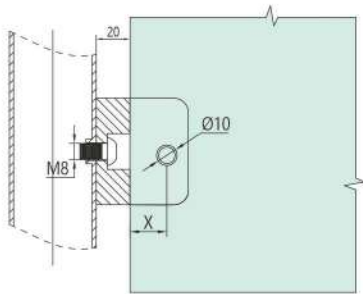
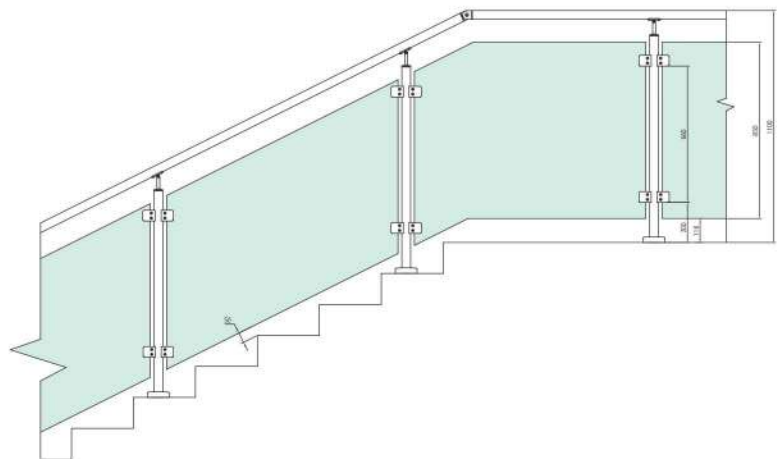
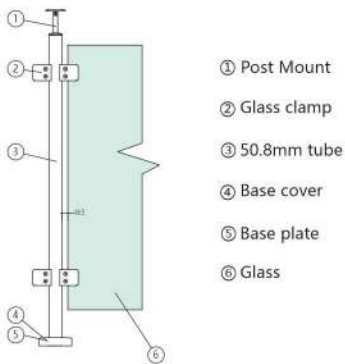


CH BN MB MG

FRAMELESS GLASS RAILING



GLASS CLAMPS/BRACKETS/CONNECTORS



GLASS CLAMPS/BRACKETS/CONNECTORS



10116 RWTG-2" Dia



10116 RGTG-2" Dia



10116 FWTG-2" Dia



10116 FG TG-2" Dia



10110 ZAMAK-55x55mm



10111 SS316-55x55mm



10114 ZAMAK-45x45mm



10115 SS316-45x45mm



10133 ZAMAK-55x55mm



10131 SS316-55x55mm



10122 ZAMAK-45x45mm



10121 SS316-45x45mm



10134 ZAMAK-55x55mm



10135 SS316-55x55mm



10136 ZAMAK-45x45mm



P45-10112-6mm/8mm/10mm
P55-10122-8mm/10mm/12mm



10137 SS304/316-2" Dia



10138 SS304/316-2" Dia



10139 GTG FLEXIBLE BRACKET



10140 PTG FLEXIBLE BRACKET

Available Finishes



CH BN MB MG



Bolt 3/8"-16 x 5/8" Long



Bolt 5/16"-18 X 1" Long



Bolt 5/16" Dia. x 2" Long

GLASS CLAMPS/BRACKETS/CONNECTORS

GLASS CLAMPS/BRACKETS/CONNECTORS

SLIM STYLE FRAMELESS PANEL SUPPORT SYSTEM - STIFFENERS

For 10mm to 12 mm Tempered Glass
 Supplied with Gasket
 SS304,SS316



10104 Glass to Glass 3 Way Stiffener



10105 Wall to Glass Stiffener



10105A Wall to Glass Elongated Stiffener



10106 Glass to Glass Adjustable Stiffener



10107 Glass to Glass Fixed Stiffener



10107A Glass to Glass Heavy Duty Stiffener



10108 Glass to Glass 90 Deg Stiffener



10109 Wall to Glass Adjustable Stiffener

Available Finishes



BN MB MG



POST & POST ACCESSORIES



10019-BN 316
10019-B
10019-MB
10019-MG

ROUND POST
38.1x1.5mm, (Height 40")
with weldable plate
10090 and cover plate



11040-BN 316
11040-B
11040-MB
11040-MG

SQUARE POST
40X40mm (Height 40")
with weldable base plate
11020 and cover plate



12010-BN 316
12010-B
12010-MB
12010-MG

RECTANGULAR POST
50x25mm (Height 40")
with weldable plate and
cover plate



66110-BN 316
66110-B
66110-MB
66110-MG

CABLE RAILING POST
40x40mm (Height 40")
with weldable plate
11020 and cover plate

Available Finishes



* Brackets & Top Mounts sold separately
* Height of the posts can be customised

POST & POST ACCESSORIES

ARCHITECT'S CHOICE - PRE ASSEMBLED POSTS



P1001 | P1002 | P1003 | P1004 | P1005 | P1006

READYMADE POST AVAILABLE FOR LARGE PROJECTS

STERLING Offers Elegant Pre-assembled Balustrade System That Enables Architects To Choose From Variety Of Interior & Exterior Post Styles. Selection Of Different Finishes, Heights & Components Are An Extra Advantage To Your Hearts Content. No Welding, Gluing, Drilling & Tapping. Usage : Interior, Exterior, Stairs, Decks & Residential/commercial Balconies. All These Components Are Also Available Part By Part Separately.

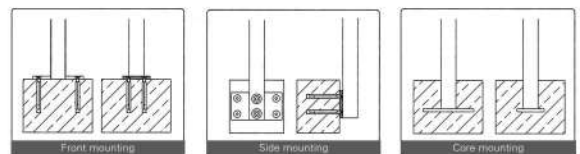


P1007 | P1008 | P1009 | P1010 | P1011

Available Finishes



* Brackets & Top Mounts sold separately
 * Height of any post can be customised
 * SS 304/SS316



POST & POST ACCESSORIES

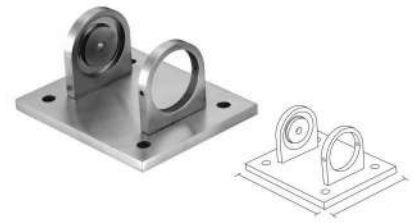
POST & POST ACCESSORIES



10018-R



10093



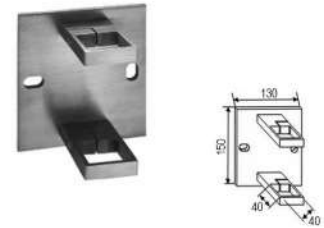
10018-SQ



10637



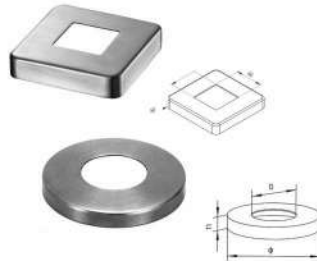
11093-RADJ



11033



SS BASE PLATE 11120/10091



BASE PLATE COVER-11013/10070



SS BASE PLATE 11020/10090



11019 FS/RS



11093 FS/RS



10011 FS/RS



10013 FS/RS



10640



11640



10015SS / 10016DS

R = Round Profile SQ = Square Profile RADJ = Round Adjustable FS = Flat Saddle RS = Round Saddle SS = Single Side DS = Double Side

Available Finishes



BN

MB



10013 R90

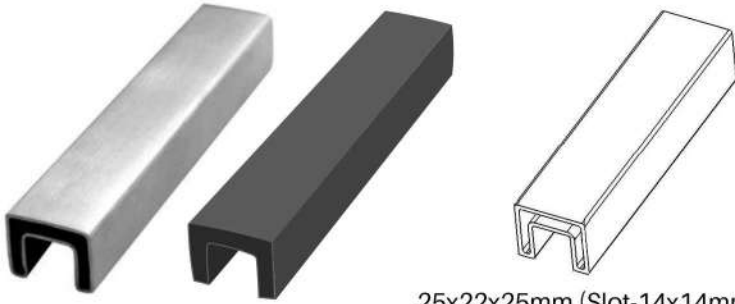


10013 FS

POST & POST ACCESSORIES

TOP CAP & FITTINGS

FERRIER SERIES



25x22x25mm (Slot-14x14mm)

16002
U CHANNEL Top Cap Profile
 Heavy Duty Hollow Series SS304 19.20FT LONG

16003
U CHANNEL Top Cap Profile
 Heavy Duty Hollow Series SS316 19.20FT LONG

16004
FERRIER U CHANNEL GASKET



16006
90° CONNECTOR



16006A
FIXED VERTICAL CONNECTOR



16007
180° CONNECTOR



16008
SWIVEL-VERTICAL CONNECTOR



16009
SWIVEL-HORIZONTAL CONNECTOR



16010A
WALL FLANGE



16010B
WALL FLANGE



16005
END CAP



16005ANG
END CAP
ANGULAR



16012
180° ELONGATED SLOT TUBE CONNECTOR



Available Finishes



BN

MB

TOP CAP & FITTINGS

U TUBE ROUND PROFILE



10020
Rail Pipe U Tube SS304 19.2ft
42.4x1.5mm

10021
Rail Pipe U Tube SS316 19.2ft
42.4x1.5mm



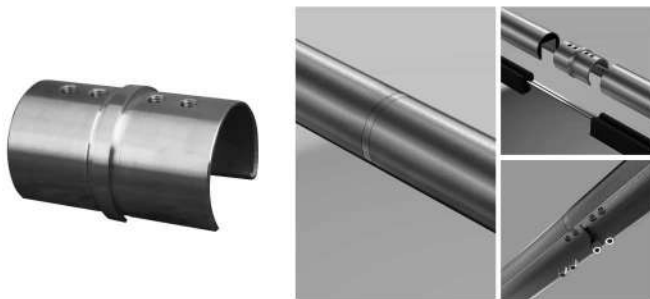
10022 U TUBE END CAP



10023 U TUBE FLANGE



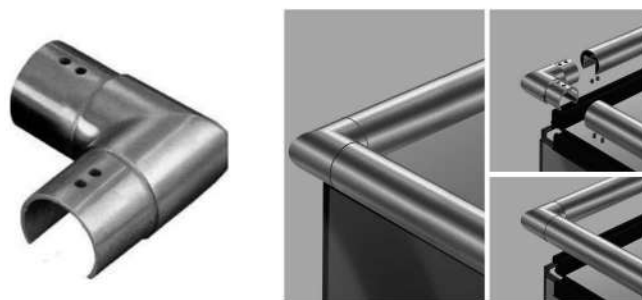
10024 U TUBE CONNECTOR



10025 U TUBE SUPPORT



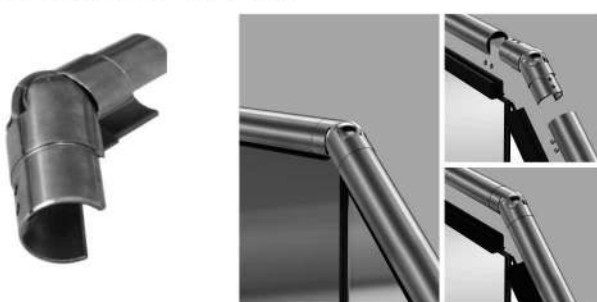
10026 U TUBE 90° ELBOW SIDE WAYS CUT



10027 U TUBE 90° ELBOW VERTICAL



10028 U TUBE FLEXIBLE 90°



10036 U TUBE HORIZONTAL 90° ADJUSTABLE ELBOW CONNECTOR

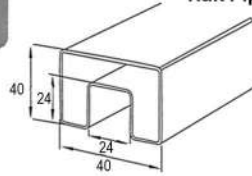
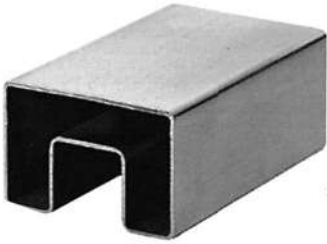


Available Finishes



TOP CAP & FITTINGS

U TUBE SQUARE PROFILE



40x40x40mm (Slot-24x24mm)

11029

Rail Pipe U Tube SS304 19.2ft 42.4x1.5mm

11039

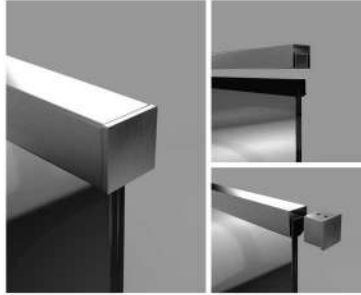
Rail Pipe U Tube SS316 19.2ft 42.4x1.5mm



10034-U Tube Gasket (10mm glass)
10035-U Tube Gasket (12mm glass)



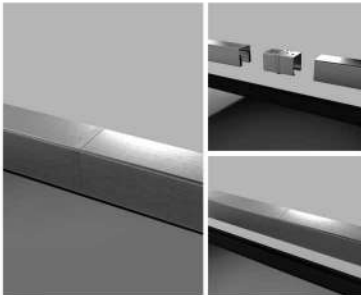
11022 U TUBE END CAP



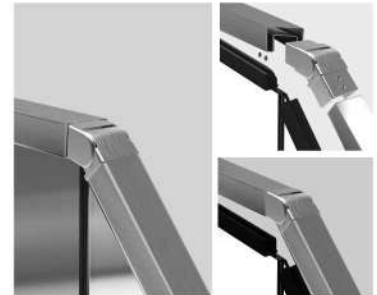
11023 U TUBE FLANGE



11024 U TUBE CONNECTOR



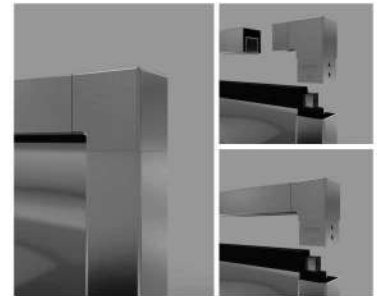
11025 U TUBE FLEXIBLE 90° VERT.



11026 U TUBE 90° ELBOW SIDEWAYS CUT



11027 U TUBE 90° ELBOW VERTICAL



65001
LOCTITE HEAVY DUTY
METAL ADHESIVE



65002
LOCTITE-PRIMER



65003
MATT BLACK
PAINT



65004
SPRAYWAY GLASS
CLEANER



65006
FINE GRIT
ABRASIVE PADS



65007
MICRO FIBRE
CLOTH



Available Finishes



BN

MB

2" TOP CAP & HANDRAIL FITTINGS

2" U TUBE ROUND PROFILE

11041 2" Dia Stainless Steel Slot Tube: 50.8x1.5 thickness (slot size 20x20mm), 19.2ft



11042 Gasket for 50.8mm Slot Tube - 12mm glass

11043 U TUBE END CAP



11044 U TUBE REST



11045 U TUBE CONNECTOR



11046 U TUBE 90° ELBOW SIDE WAYS CUT



11047 U TUBE 90° ELBOW VERTICAL



11048 U TUBE FLANGE



2" ROUND PROFILE HANDRAIL

20010

50.8 Dia Handrail SS304 19.2ft

20011

50.8 Dia Handrail SS316 19.2ft



20012 END CAP



20013 SPLICE CONNECTOR



20014 FLEXIBLE ELBOW



20015 WALL FLANGE



STAINLESS STEEL WELDABLE CHANNEL

GLAZERS POPULAR CHOICE

15002 TOP CHANNEL 25X22X1.5MM SS304 19.2ft

15003 TOP CHANNEL 25X22X1.5MM SS316 19.2ft



Available Finishes



BN

MB

15007 BN/MB INTERNAL SLEEVE 90° HORIZONTAL



15006 BN/MB INTERNAL SLEEVE 135° HORIZONTAL



15005 BN/MB FLAT END CAP



15005W BN/MB WALL MOUNT END CAP



15008 BN/MB 90° SPLICE CONNECTOR



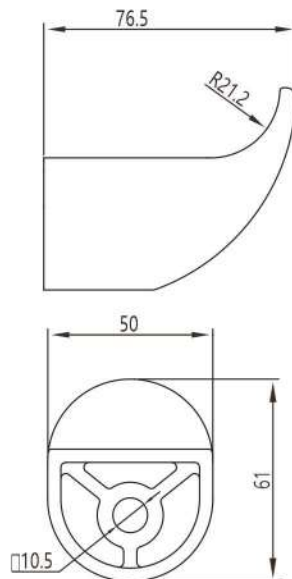
15004 GASKET FOR 15003/150003B U CHANNEL



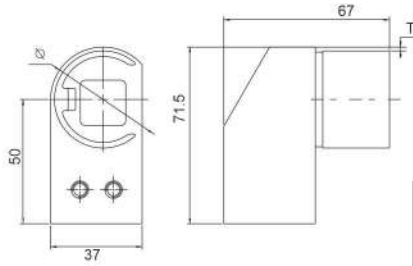


**JULIET STYLE
FRAMELESS BALCONY
GLASS RAILING SYSTEM**

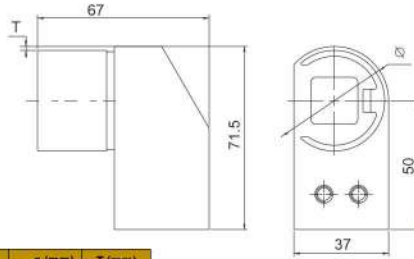
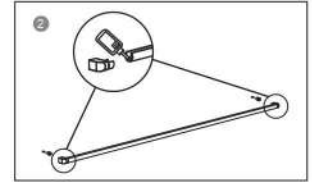
Frameless balcony glass railing system could enhance the protection of the windows, it looks beautiful and elegant.



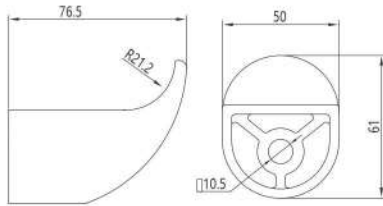
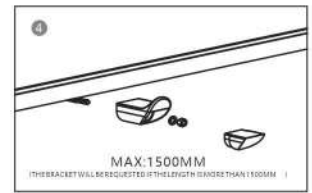
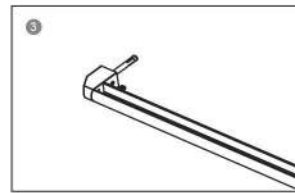
HANDRAIL/HANDRAIL FITTINGS/HANDRAIL BRACKETS



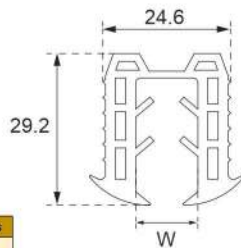
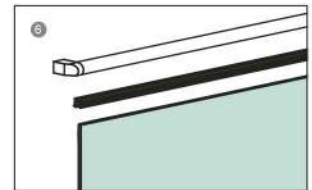
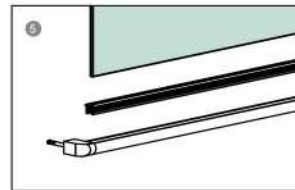
Code	Material	Finish	e (mm)	T (mm)
19001	AISI316	Satin	42.4	1.5



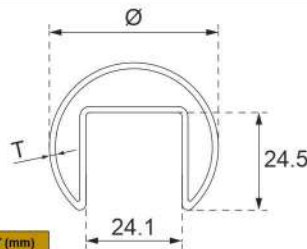
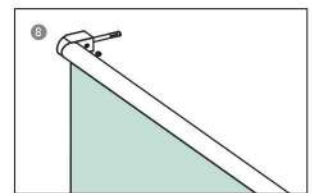
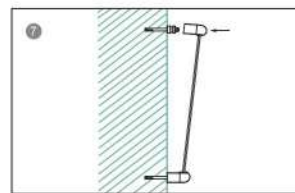
Code	Material	Finish	e (mm)	T (mm)
19002	AISI316	Satin	42.4	1.5



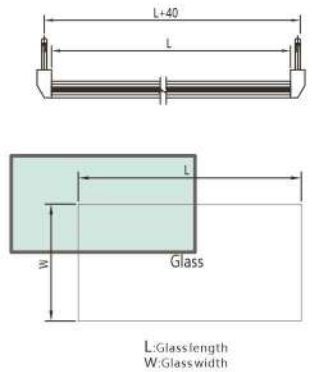
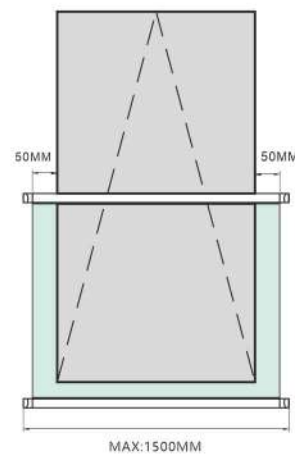
Code	Material	Finish	e (mm)	R (mm)
19003	AISI316	Satin	42.4	21.2



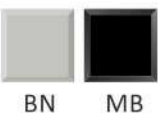
Code	Material	Finish	For Glass Thickness
10034	EPDM	Black	10mm
10035	EPDM	Black	12mm



Code	Material	Finish	e (mm)	T (mm)
10021	AISI316	Satin	42.4	1.5



Available Finishes



HANDRAIL/HANDRAIL FITTINGS/HANDRAIL BRACKETS

HANDRAIL/HANDRAIL FITTINGS/HANDRAIL BRACKETS



ROUND PROFILE HANDRAIL/HANDRAIL FITTINGS



10010

38.1 Dia Handrail SS304 19.2ft

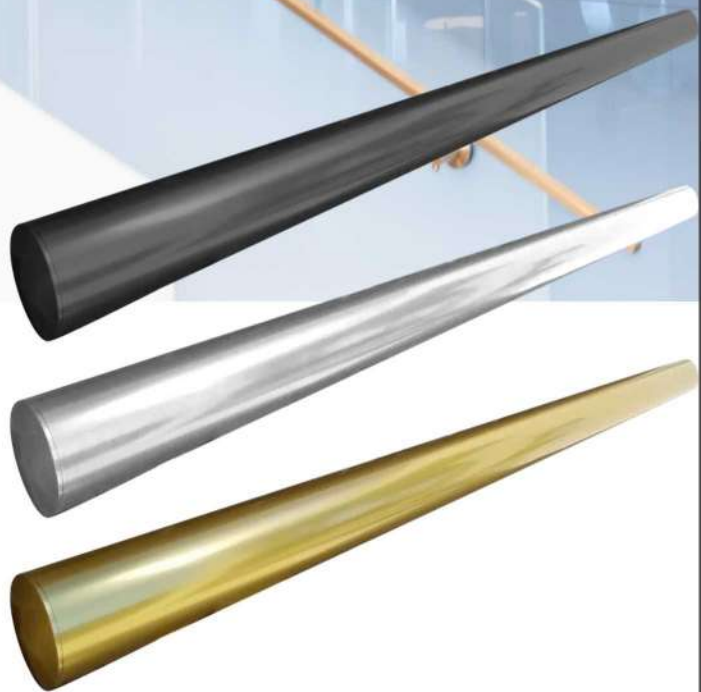
10012

38.1 Dia Handrail SS316 19.2ft

Available Finishes



BN MB MG

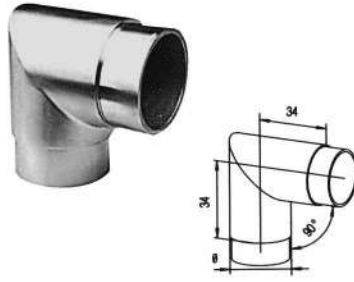


HANDRAIL/HANDRAIL FITTINGS/HANDRAIL BRACKETS

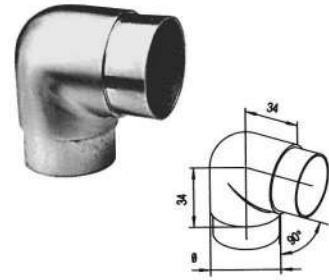
for 38.1mm Dia pipe



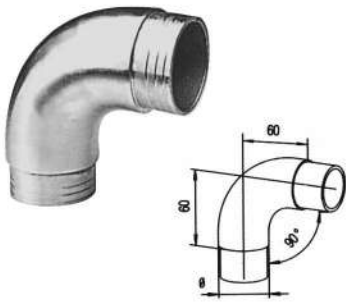
10032 135° Sharp Elbow



10037 90° Sharp Elbow



10038 90° Smooth Elbow



10039 90° Round Elbow



10040 Flexible Elbow



10640 Flexible Wall Flange



10339 - S Connector



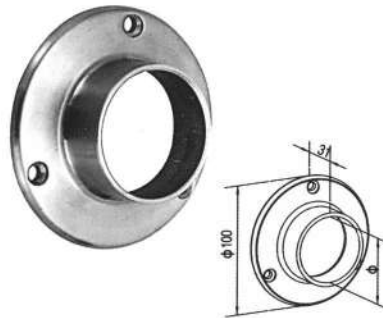
10338 Three Way Connector



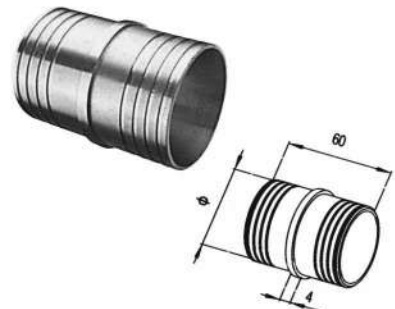
10337 - T Connector



10050 End Cap

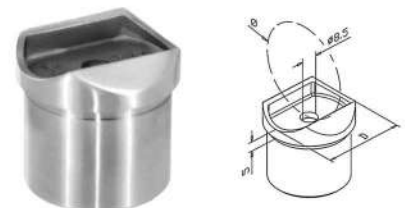


10060 Wall Flange



10080 Splice Connector

Available Finishes



10045 Tube Rest

ROUND PROFILE HANDRAIL/HANDRAIL FITTINGS



11010
40 x 40mm Square Handrail SS304

11030
40 x 40mm Square Handrail SS316

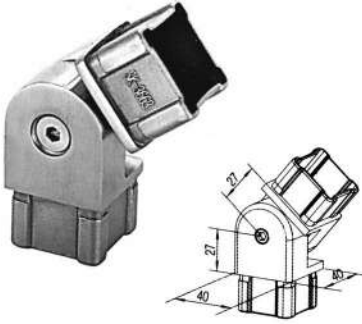
Available Finishes



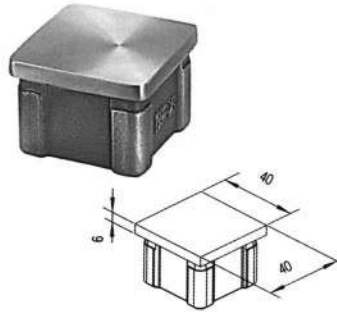
BN MB MG

HANDRAIL/HANDRAIL FITTINGS/HANDRAIL BRACKETS

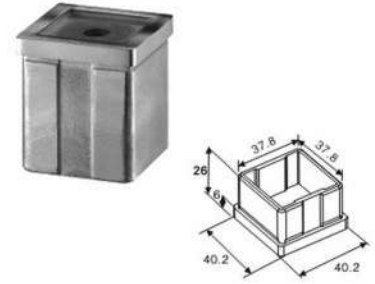
for 40x40mm Sq. pipe



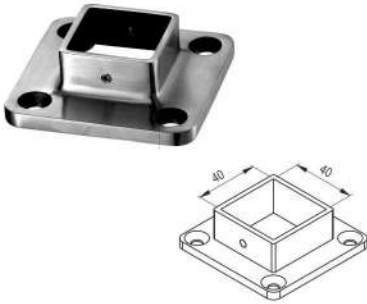
11011 - 90° Flexible Connector



11012 - End Cap



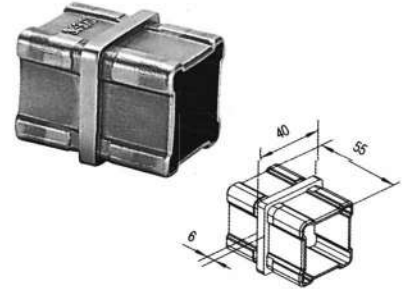
11012-H - End Cap with Hole



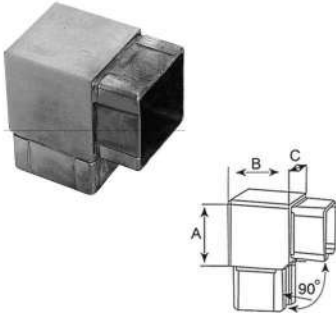
11014 - Wall Flange



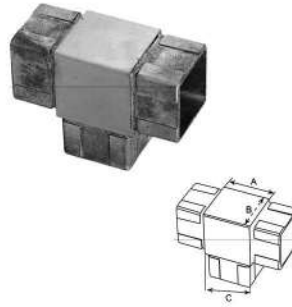
11015 - Tube Rest



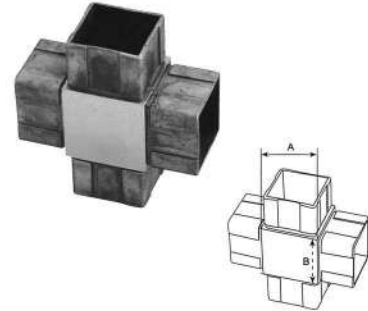
11017 - Splice Connector



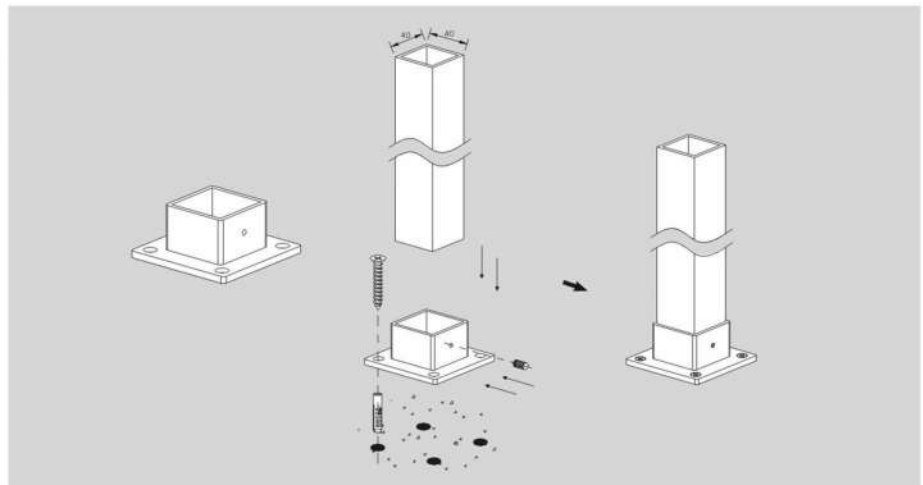
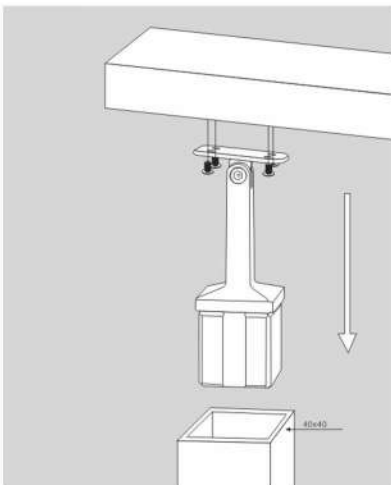
11018 - 90° Elbow



11016 - 3 Tee Connector



11016 - 4 4 Way Connector



Available Finishes



BN MB MG

RECTANGULAR HANDRAIL/HANDRAIL FITTINGS



12009

50 x 25mm Handrail SS304

12000

50 x 25mm Handrail SS316

Available Finishes

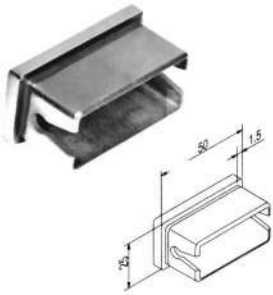


BN MB MG

HANDRAIL/HANDRAIL FITTINGS/HANDRAIL BRACKETS



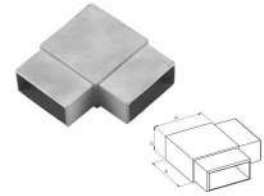
for 50x25mm Rectangular pipe



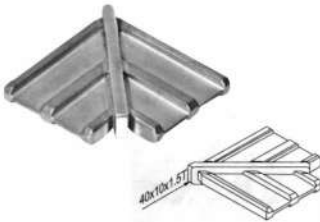
12001 - END CAP



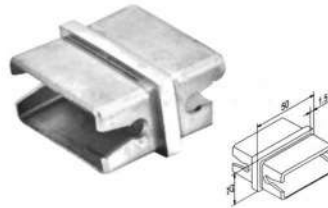
12002 - WALL FLANGE



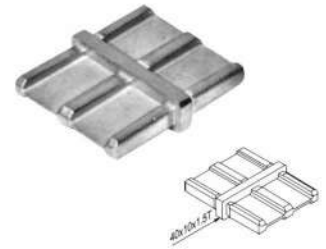
12003 - 90° ELBOW



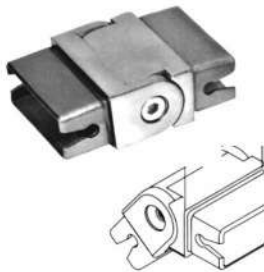
12003 - SOLID 90° CONNECTOR



12004 - 180° SPLICE CONNECTOR



12004 - SOLID 180° CONNECTOR



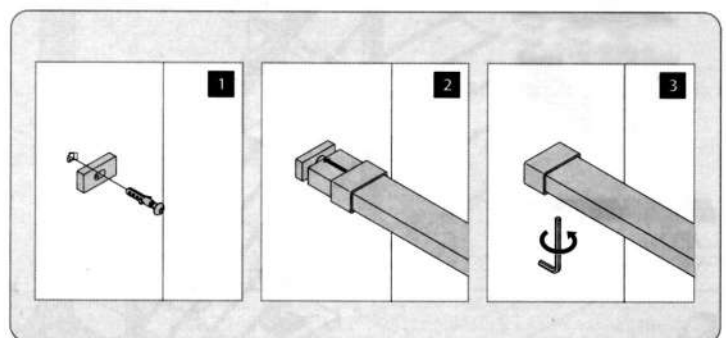
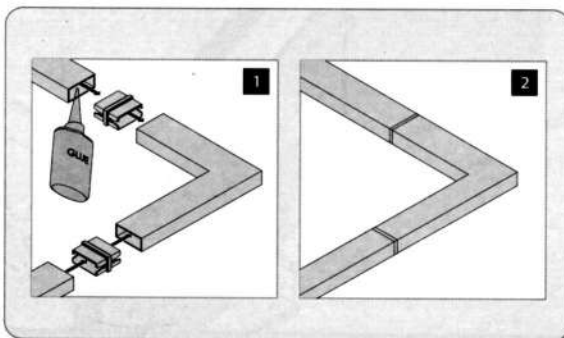
12005 - 90° FLEXIBLE CONNECTOR VERT.



12006 - 90° FLEXIBLE CONNECTOR HORZ.



12007 - VERTICAL FIXED 90



Available Finishes



BN MB MG

HANDRAIL/HANDRAIL FITTINGS/HANDRAIL BRACKETS



10017-BN
GLASS TO RAIL
ROUND SADDLE



10117-BN
GLASS TO RAIL
FLAT SADDLE



10417-BN
WALL TO RAIL
BRACKET



10217-BN
WALL TO RAIL
ROUND SADDLE



10217-ZS-BN
WALL TO RAIL
FLAT SADDLE



10218-FS-BN
GLASS TO RAIL
ADJ. FLAT SADDLE



10218-RS-BN
GLASS TO RAIL
ADJ. ROUND SADDLE



10218 WTR-FS-BN
WALL TO RAIL
ADJ. FLAT SADDLE



11021 WTR-RS-BN
WALL TO RAIL
ADJ. ROUND SADDLE



11021-RS-BN
GLASS TO RAIL
ADJ. ROUND SADDLE



11021-FS-BN
GLASS TO RAIL
ADJ. FLAT SADDLE



11021 WTR-FS-BN
WALL TO RAIL
ADJ. FLAT SADDLE



11028-BN
WALL TO RAIL
FLAT SADDLE

HANDRAIL BRACKETS-BRUSHED NICKLE SERIES

HANDRAIL/HANDRAIL FITTINGS/HANDRAIL BRACKETS



10017-MB
GLASS TO RAIL
ROUND SADDLE



10117-MB
GLASS TO RAIL
FLAT SADDLE



10417-MB
WALL TO RAIL
BRACKET



10217-MB
WALL TO RAIL
ROUND SADDLE



10217-Z-MB
WALL TO RAIL
FLAT SADDLE



10218-FS-MB
GLASS TO RAIL
ADJ. FLAT SADDLE



10218-RS-MB
GLASS TO RAIL
ADJ. ROUND SADDLE



10218 WTR-FS-MB
WALL TO RAIL
ADJ. FLAT SADDLE



11021 WTR-RS-MB
WALL TO RAIL
ADJ. ROUND SADDLE



11021-RS-MB
GLASS TO RAIL
ADJ. ROUND SADDLE



11021-FS-MB
GLASS TO RAIL
ADJ. FLAT SADDLE



11021 WTR-FS-MB
WALL TO RAIL
ADJ. FLAT SADDLE



11028-MB
WALL TO RAIL
FLAT SADDLE

HANDRAIL BRACKETS-MATT BLACK SERIES

HANDRAIL/HANDRAIL FITTINGS/HANDRAIL BRACKETS



10017-MG
GLASS TO RAIL
ROUND SADDLE



10117-MG
GLASS TO RAIL
FLAT SADDLE



10417-MG
WALL TO RAIL
BRACKET



10217-MG
WALL TO RAIL
ROUND SADDLE



10317-MG
WALL TO RAIL
FLAT SADDLE



10218-FS-MG
GLASS TO RAIL
ADJ. FLAT SADDLE



10218-RS-MG
GLASS TO RAIL
ADJ. ROUND SADDLE



10218-WTR-FS-MG
WALL TO RAIL
ADJ. FLAT SADDLE



11021-WTR-RS-MG
WALL TO RAIL
ADJ. ROUND SADDLE



11021-RS-MG
GLASS TO RAIL
ADJ. ROUND SADDLE



11021-FS-MG
GLASS TO RAIL
ADJ. FLAT SADDLE



11021-WTR-FS-MG
WALL TO RAIL
ADJ. FLAT SADDLE

HANDRAIL BRACKETS-GOLD SERIES



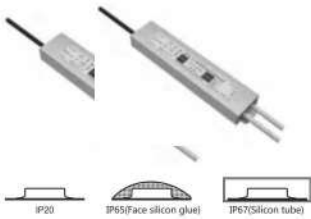
LED HANDRAIL/HANDRAIL FITTINGS

LED STRIP



Led Type: SMD2835 120LED/M	Led Type: SMD2835 60LED/M	Led Type: SMD5050 60LED/M
Voltage: DC24V	Voltage: DC24V	Voltage: DC24V
Luminous: 20-23Lm/LED	Luminous: 20-23Lm/LED	Luminous: 20-23Lm/LED
Beam Angle: 120°	Beam Angle: 120°	Beam Angle: 120°
Power: ≤14.4W/M	Power: ≤14.4W/M	Power: ≤14.4W/M
Temperature Color: 3000K-8000K	Temperature Color: 3000K-8000K	Temperature Color: 3000K-8000K
PCB Width: 8mm/10mm	PCB Width: 8mm/10mm	PCB Width: 8mm/10mm
IP Rates: IP20 / IP65 / IP67	IP Rates: IP20 / IP65 / IP67	IP Rates: IP20 / IP65 / IP67
Length: 10m/Roll	Length: 10m/Roll	Length: 10m/Roll

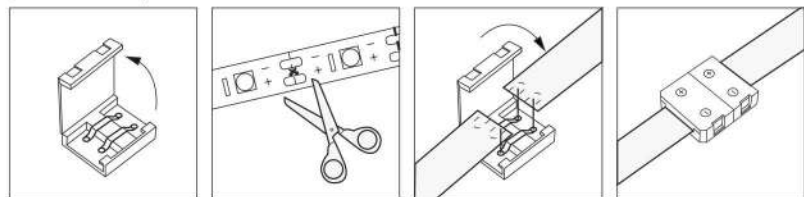
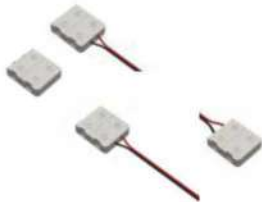
LED ADAPTER



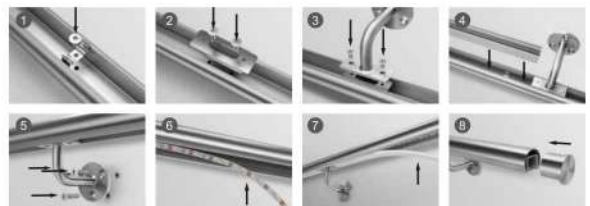
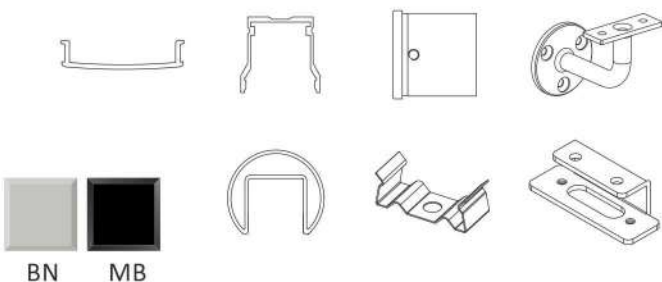
Power: 36W	Power: 60W	Power: 100W	Power: 150W
Input: AC100-240V 47-63Hz	Input: AC100-240V 47-63Hz	Input: AC100-240V 47-63Hz	Input: AC100-240V 47-63Hz
Output: DC24V ±5% DC1.5A	Output: DC24V ±5% DC2.5A	Output: DC24V ±5% DC4.2A	Output: DC24V ±5% DC6.25A
IP Code: IP67	IP Code: IP67	IP Code: IP67	IP Code: IP67
Size: 135*45*29	Size: 166*50*31	Size: 185*50*31	Size: 166*63*40

CONNECTING BUCKLE Installation Instructions

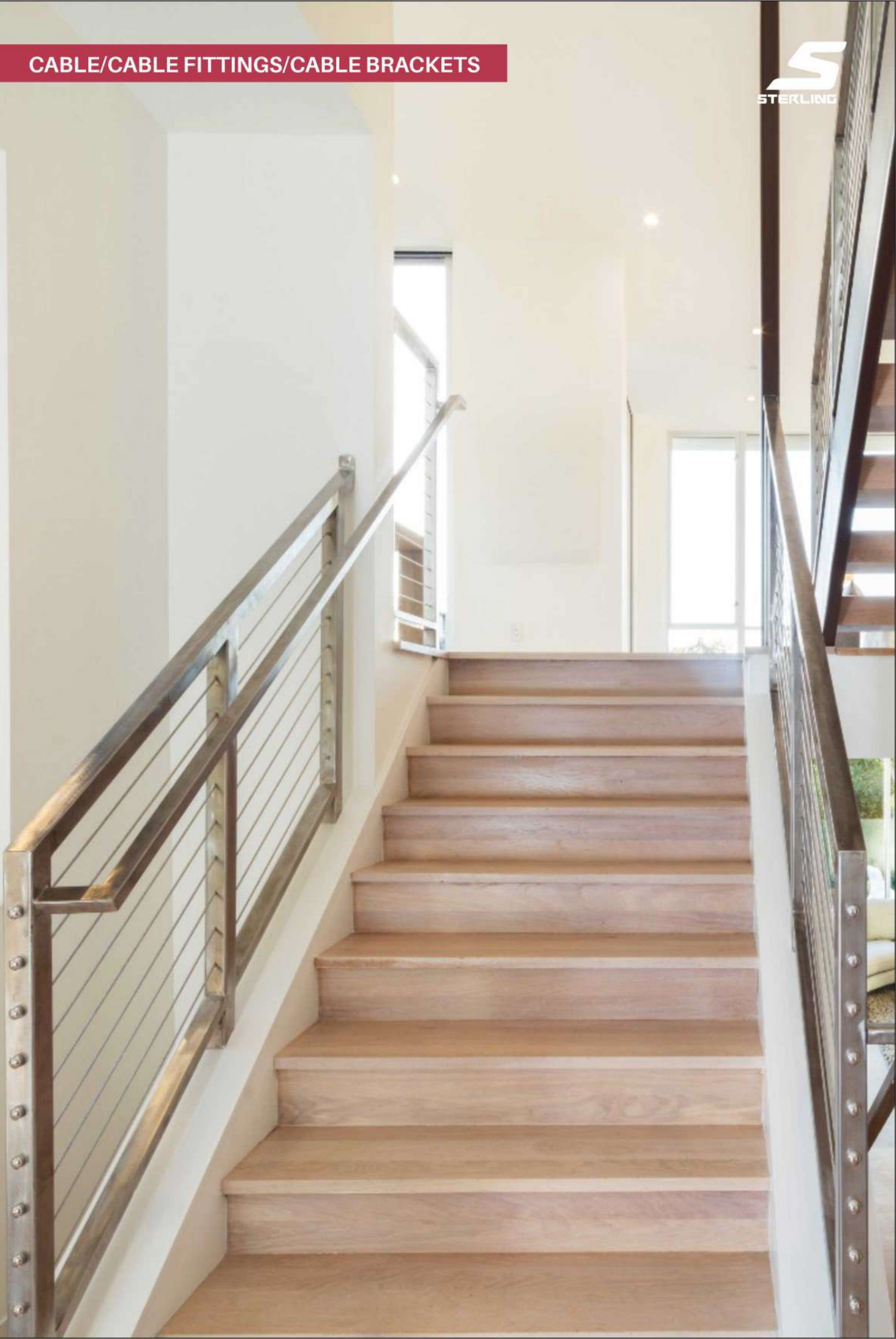
(Max current : 1A)



1. Open the connecting buckle. 2. Cut according to the line 3. Aligning the +/- electrodes 4. Close the buckle.



BN MB



CABLE/CABLE FITTINGS/CABLE BRACKETS



67101



67102



67103



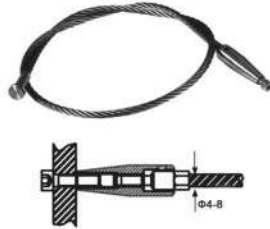
67104



67105



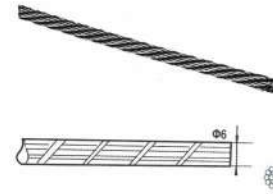
67106



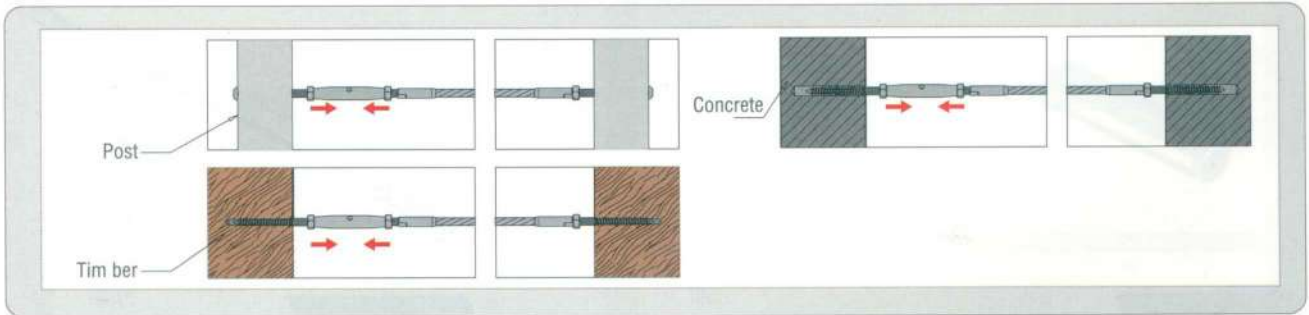
67107



67108



66100



67109



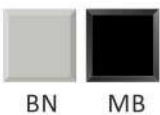
67110



67111



67112



Material: Stainless Steel

Wire Dia: For 1/8" 3/6" 1/4" Wire

CABLE/CABLE FITTINGS/CABLE BRACKETS



67201



67202



67203



67204



67205



67206



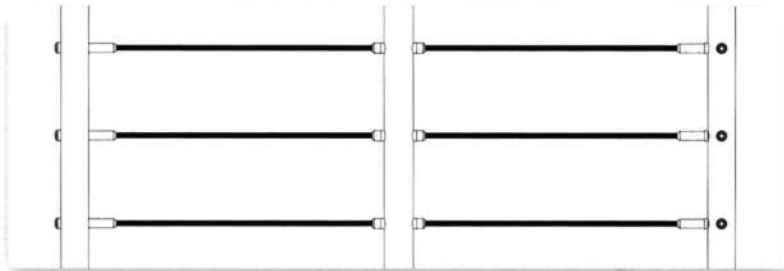
67207



67208



67209



Material: Stainless Steel

Wire Dia: For 1/8" 3/6" 1/4" Wire



67301

d	L mm		M
Φ3	max	151	M5
	min	121	
Φ4	max	190	M6
	min	149	
Φ5	max	215	M8
	min	171	
Φ6	max	251	M10
	min	205	



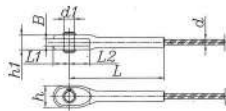
67302

d	d1	L	L1	M
Φ3	Φ6	63	28	M5
Φ4	Φ7.5	79	33	M6
Φ5	Φ8	92	39	M8
Φ6	Φ10	111	45	M10



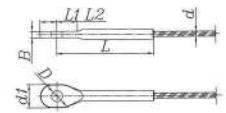
67303

d	d1	L	L1	L2	S
Φ3	Φ5	57	9.5	12	3.5
Φ4	Φ6	62	11	14	4.5
Φ5	Φ8	75	12.8	16	5.5
Φ6	Φ10	86	15	19	6.5



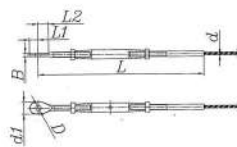
67304

d	d1	L	S
Φ3	Φ5.5	57	3
Φ4	Φ6.5	62	4
Φ5	Φ8.5	75	5
Φ6	Φ10.5	86	6



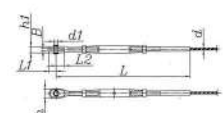
67305

d	L mm		d1	S
Φ3	max	156	Φ5.5	3
	min	126		
Φ4	max	191	Φ6.5	4
	min	151		
Φ5	max	212	Φ8.5	5
	min	172		
Φ6	max	256	Φ10.5	6
	min	206		



67306

d	L mm		d1	L	L2	S
Φ3	max	156	Φ5	9.5	12	3.5
	min	126				
Φ4	max	191	Φ6	11	14	4.5
	min	151				
Φ5	max	212	Φ8	12.8	16	5.5
	min	172				
Φ6	max	256	Φ10	15	19	6.5
	min	206				



BN MB

Material:Stainless Steel

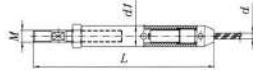
Wire Dia:For 1/8" 3/6" 1/4"Wire

CABLE/CABLE FITTINGS/CABLE BRACKETS



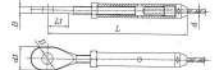
67307

d	L mm	d1	M
Φ3	max 96	Φ10	M5
	min 78.5		
Φ4	max 106	Φ10	M6
	min 84		
Φ5	max 130	Φ12	M8
	min 97		
Φ6	max 140	Φ15	M10
	min 116.5		



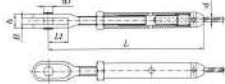
67308

d	L mm	d1	B	L1	D
Φ3	max 98	Φ12	3	12	Φ5
	min 80.5				
Φ4	max 110	Φ14	4	14	Φ6
	min 88				
Φ5	max 118.2	Φ18	5	16	Φ8
	min 97.2				
Φ6	max 141	Φ24	6	19	Φ10
	min 117.5				



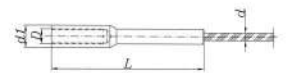
67309

d	L mm	d1	B	L1	H
Φ3	max 100.5	Φ5	3.5	12	7.5
	min 83				
Φ4	max 110.5	Φ6	4.5	14	9.5
	min 88.5				
Φ5	max 123.2	Φ8	5.5	16	11.5
	min 102.2				
Φ6	max 145	Φ10	6.5	19	13.5
	min 121.5				



67310

d	d1	D	L
Φ3	Φ8	M5	47
Φ4	Φ10	M6	64
Φ5	Φ12	M8	83
Φ6	Φ14	M10	102



Hydraulic Tool



Mechanical Tool



BN MB

Material: Stainless Steel

Wire Dia: For 1/8" 3/6" 1/4" Wire

