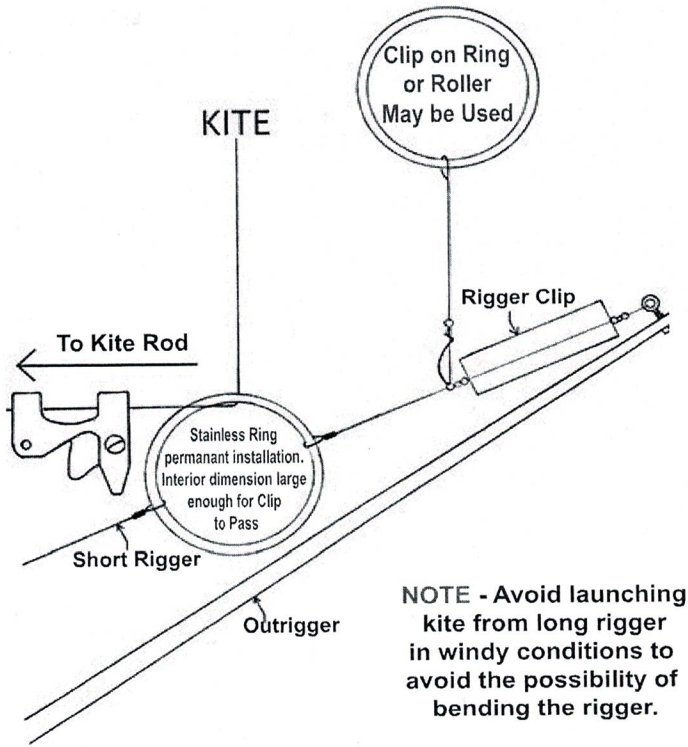
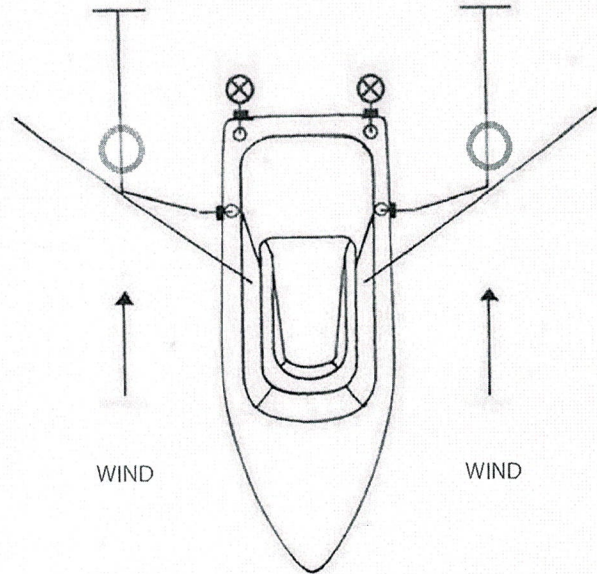


## Sportfisherman Launching Configurations

### Typical Outrigger Setup

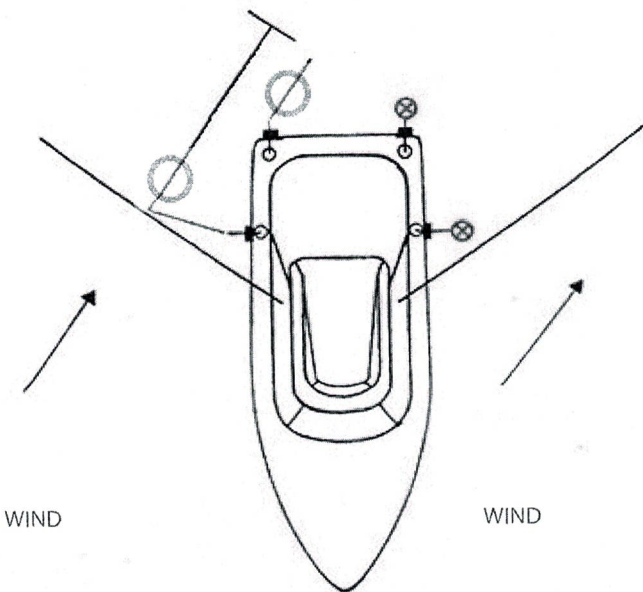


### Two Kite Outrigger Launch Positions



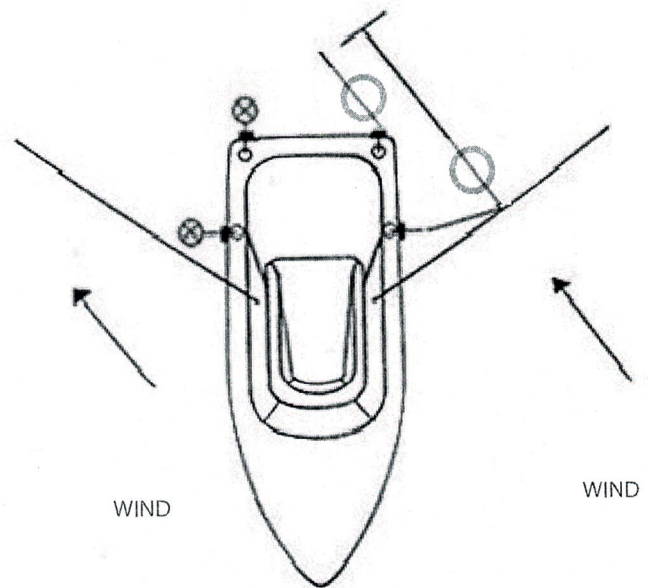
### Wind Head on Rigger Lines Elevated

### Outrigger and Gunnel Launch Positions



### Wind on Starboard side

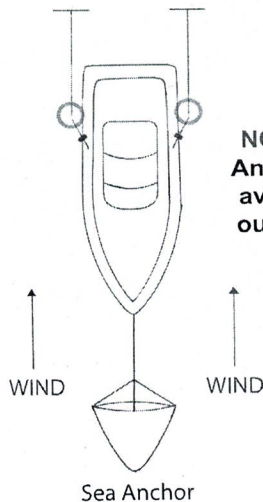
### Outrigger and Gunnel Launch Positions



### Wind on Port side

## Openfisherman Launching Configurations

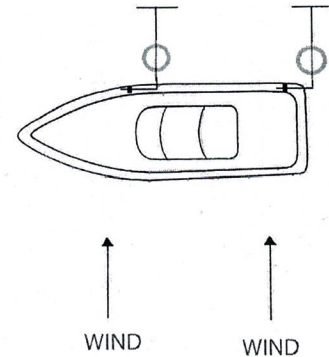
### Boat Drifting With Sea Anchor



NOTE - Kite Rods  
Angled Outboard to  
avoid being pulled  
out of Rod Holders

NOTE - Sometimes it's  
Easier to Launch from  
the Bow then put rod  
in perspective holder

### Boat Drifting



### Wind Head on

### Wind Abeam

- ⊗ DO NOT FLY ON LAND - ground effect will make kite erratic and crash
- ⊗ DO NOT LAUNCH WITH ANY WIND OBSTRUCTION IN THE WAY
- ⊗ DO NOT STAND IN FRONT OF KITE WHEN LAUNCHING
- ⊗ DO NOT LAUNCH A WET KITE - kite will continue to spin until it dries out

**NOTE - IF KITE GETS WET WITH SALT WATER, IT NEEDS TO BE RINSED WITH FRESH WATER BEFORE LAUNCHING**

**\*\*\* WASH KITE WITH SOAP AND WATER PERIODICALLY AND PERMIT TO DRY THOROUGHLY BEFORE STORING - NEVER STORE A WET KITE - this will cause fabric to mold and rot \*\*\***