

Project		Catalog #		Type	
Prepared by		Notes		Date	



Streetworks

VERD-S Verdeon Small

Roadway Luminaire

Product Features



Interactive Menu

- Ordering Information page 2
- Product Specifications page 2
- Energy and Performance Data page 3
- Control Options page 4

Product Certifications



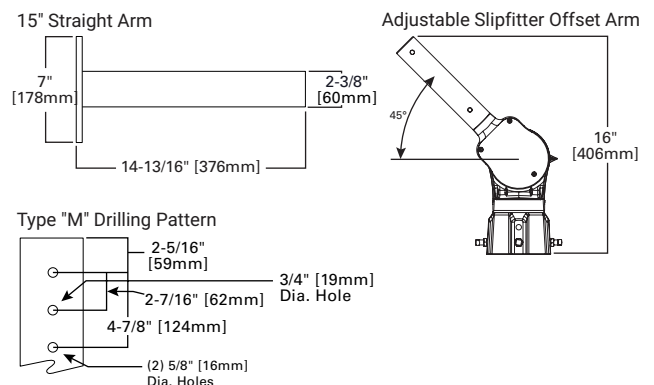
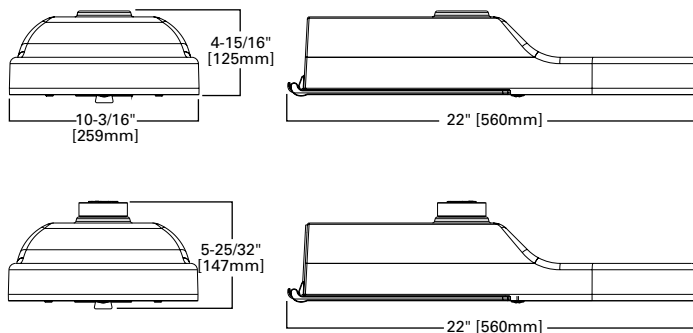
Quick Facts

- Up to 161 lumens per watt
- Five optical distributions (T1, T2, T3, T4, and T5)
- Lumen packages ranging from 3,163 - 11,329 delivered lumens
- Offered in 2200K, 2700K, 3000K, 4000K, 5000K, and 5700K CCTs

Connected Systems

- WaveLinX

Dimensional Details



NOTES:
 1. Visit <https://www.designlights.org/search/> to confirm qualification. Not all product variations are DLC qualified.
 2. IDA Certified for 3000K CCT and warmer only.

Ordering Information

SAMPLE ORDER NUMBER: VERD-S-CA1-30-740-U-T2-A15-AP-10K-PR7

Product Family ^{1, 2, 3}	Configuration	Wattage Bucket	Color Temperature	Voltage	Distribution	Mounting	Color
VERD-S =Verdeon Small BAA-VERD-S =Verdeon Small Buy American Act Compliant ¹⁰ TAA-VERD-S =Verdeon Small Trade Agreements Act Compliant ¹⁰	CA1 =1 LED	20 =20W 30 =30W 40 =40W 50 =50W 60 =60W 70 =70W 80 =80W	722 =70CRI, 2200K 727 =70CRI, 2700K 730 =70CRI, 3000K 740 =70CRI, 4000K 750 =70CRI, 5000K 760 =70CRI, 5700K	U =Universal (120-277V) 8 =480V 9 =347V H =347V-480V	T1 =Type I T2 =Type II T3 =Type III T4 =Type IV T5 =Type V	[BLANK] =None A15 =Arm Included (15" Straight Arm) ASJS15 =Adjustable Slipfitter (Factory set at 15 degrees) ASJS25 =Adjustable Slipfitter (Factory set at 25 degrees) ASJS45 =Adjustable slipfitter (Factory set at 45 degrees)	AP =Grey BZ =Bronze BK =Black DP =Dark Platinum GM =Graphite Metallic WH =White
Options (Add as Suffix)		Controls			Accessories (Order Separately) ¹¹		
10K =Series 10kV UL 1449 Surge Protective Device 20K =Series 20kV UL 1449 Surge Protective Device 20KI =Series 20kV UL 1449 Surge Protective Device with light indicator 10MSP =Parallel 10kV MOV Surge Protection Device 20MSP =Parallel 20kV MOV Surge Protective Device SR =SR refractor HSS =House side shield ⁴ K =Level Indicator 4B =Four bolt, two clamp mounting HA =50°C High Ambient Temperature CC =Coastal Construction CCR =Coastal Construction, Corrosion Resistant Hardware FADC =Field adjustable dimming controller ¹⁴		PSC =Photocontrol Shorting Cap NPC =NEMA Photocontrol - Multi-Tap ^{12,13} LLPC =Longlife Photocontrol Included ^{12,13} PR =NEMA 3-PIN Photocontrol Receptacle PR7 =NEMA 7-PIN Twistlock Photocontrol Receptacle 5LTD =DALI driver ⁹ SPB1 =Dimming Occupancy Sensor with Bluetooth Interface, <8' Mounting ⁵ SPB2 =Dimming Occupancy Sensor with Bluetooth Interface, 8'-20' Mounting ⁵ SPB4 =Dimming Occupancy Sensor with Bluetooth Interface, 20'-40' Mounting ⁵ ZD =WaveLinX-Enabled Module with SR Driver and 4-PIN Receptacle ⁹ ZD-SWPD4XX =WaveLinX Control Module with SR Driver, 4-PIN Receptacle, and Wireless Sensor - 7'-15' ^{6,7,8,9} ZD-SWPD5XX =WaveLinX Control Module with SR Driver, 4-PIN Receptacle, and Wireless Sensor - 15'-40' ^{6,7,8,9} ZD-WOBXX =WaveLinX Control Module with SR Driver, 4-PIN Receptacle, and LC Bluetooth Sensor - 7'-15' ^{6,7,8,9} ZD-WOFFXX =WaveLinX Control Module with SR Driver, 4-PIN Receptacle, and LC Bluetooth Sensor - 15'-40' ^{6,7,8,9}			OA1223 =10kV UL 1449 Surge Module Replacement OA/RA1013 =Photocontrol Shorting Cap OA/RA1014 =NEMA Photocontrol - 120V OA/RA1016 =NEMA Photocontrol - Multi-Tap OA/RA1027 =NEMA Photocontrol - 480V OA/RA1201 =NEMA Photocontrol - 347V HS/VERD =Verdeon House Side Shield VGS-F/B =Vertical Glare Shield, Front/Back VGS-SIDE =Vertical Glare Shield, Side DS-HSS-CRTK2 =Drop Shield House Side Shield* (must be installed with SR refractor) ASJS15-XX =Adjustable slipfitter (Factory set at 15 degrees) ASJS25-XX =Adjustable slipfitter (Factory set at 25 degrees) ASJS45-XX =Adjustable slipfitter (Factory set at 45 degrees)		

- NOTES:**
- Customer is responsible for engineering analysis to confirm pole and fixture compatibility for all applications. Refer to our white paper WP513001EN for additional support information.
 - DesignLights Consortium® Qualified. Refer to www.designlights.org Qualified Products List under Family Models for details
 - To order product that is compliant with the Buy American Act of 1933 (BAA) or Trade Agreements Act (TAA), use the online specification configurator to specify BAA or TAA. Please refer to [Domestic Preferences](#) webpage for more information.
 - Not available at 80W @ 50°C high ambient temperature.
 - Sensor configuration mobile application required for configuration. See controls page for details.
 - Replace XX with sensor color (WH, BZ or BK.)
 - WAC Gateway required to enable field-configurability: Order WAC-PoE and WPOE-120 (10V to PoE injector) power supply if needed. WAC not required for LC Bluetooth sensors.
 - Cannot be used with other control options.
 - Only available for 20, 30, 40, and 50 wattage buckets.
 - Only product configurations with these designated prefixes are built to be compliant with the Buy American Act of 1933 (BAA) or Trade Agreements Act of 1979 (TAA), respectively. Please refer to [DOMESTIC PREFERENCES](#) website for more information. Components shipped separately may be separately analyzed under domestic preference requirements.
 - For BAA or TAA requirements, Accessories sold separately will be separately analyzed under domestic preference requirements. Consult factory for further information.
 - Requires ordering of a twistlock photocontrol (3-PIN or 7-PIN) receptacle (PR or PR7).
 - Not available with "H" High Voltage Driver.
 - Cannot be used with PR7 or other motion response control options.

Product Specifications

Construction

- Heavy-duty die-cast aluminum housing and door
- Tool-less entry, hinged removable door for easy maintenance
- 3G vibration rated

Optics

- Optics are precisely designed to shape the distribution maximizing efficiency and fixture spacing
- Offered in 2700K, 3000K, and 4000K (+/- 275K) CCT and 70 CRI
- IDA Certified for 3000K CCT and warmer only

Electrical

- 120-277V 50/60Hz, 347V 60Hz or 480V 60Hz operation
- Standard 0-10V dimming with 6kV/3kA, and 10kV or 20kV common- and differential- mode surge protection available

- Thermal management transfers heat away from the LED source for optimal efficiency, light output and lumen maintenance
- Operates in ambient temperatures from -40°C to 40°C; 50°C HA (high ambient) option available
- Standard three-position tunnel type terminal block
- LED modules are IP66 rated

Mounting

- Two-bolt / one-bracket slipfitter with cast-in pipe stop and 2.5° leveling steps; Four-bolt/two-clamp mounting option
- Fixed-in-place bird guard seals around 1-1/4" to 2" (1-5/8" to 2-3/8" O.D.) mounting arms
- Optional 15" pole mount arm available with round pole adapter and mounting hardware included

Finish

- Housing and cast parts finished in five-stage super TGIC polyester powder coat paint, 2.5 mil nominal thickness for superior protection against fade and wear; Coastal construction finishes optional
- Consult your lighting representative at Cooper Lighting Solutions for a complete selection of standard colors

Warranty

- Five-year warranty

Energy and Performance Data

Nominal Power Lumens (4000K, 70CRI)

Light Engine		CA1						
Power (Watts)		23	34	43	54	63	74	83
Wattage Label		20	30	40	50	60	70	80
Current (A) @ 120V		0.20	0.29	0.36	0.45	0.53	0.62	0.69
Current (A) @ 277V		0.09	0.13	0.16	0.20	0.24	0.28	0.31
Power (Watts)		26	34	43	53	64	74	84
Wattage Label		30	30	40	50	60	70	80
Current (A) @ 347V		0.08	0.10	0.13	0.15	0.19	0.22	0.25
Current (A) @ 480V		0.06	0.08	0.09	0.11	0.14	0.16	0.18
Optics								
T1	Lumens	3,679	4,988	6,334	7,707	9,052	10,248	11,280
	Lumens Per Watt	160	147	147	143	144	138	136
	BUG Ratings	B2-U0-G1	B2-U0-G1	B3-U0-G1	B3-U0-G1	B3-U0-G1	B3-U0-G2	B3-U0-G2
T2	Lumens	3,549	4,812	6,110	7,435	8,732	9,886	10,881
	Lumens Per Watt	154	142	142	138	139	134	131
	BUG Ratings	B1-U0-G1	B1-U0-G1	B1-U0-G1	B2-U0-G2	B2-U0-G2	B2-U0-G2	B2-U0-G2
T2-HSS	Lumens	3,275	4,440	5,638	6,861	8,058	9,123	10,041
	Lumens Per Watt	142	131	131	127	128	123	121
	BUG Ratings	B1-U0-G1	B1-U0-G1	B1-U0-G1	B1-U0-G2	B1-U0-G2	B2-U0-G2	B2-U0-G2
T3	Lumens	3,523	4,777	6,065	7,381	8,668	9,814	10,801
	Lumens Per Watt	153	141	141	137	138	133	130
	BUG Ratings	B1-U0-G1	B1-U0-G1	B1-U0-G1	B1-U0-G2	B2-U0-G2	B2-U0-G2	B2-U0-G2
T3-HSS	Lumens	3,294	4,466	5,671	6,901	8,105	9,176	10,099
	Lumens Per Watt	143	131	132	128	129	124	122
	BUG Ratings	B1-U0-G1	B1-U0-G1	B1-U0-G1	B1-U0-G2	B1-U0-G2	B2-U0-G2	B2-U0-G2
T4	Lumens	3,508	4,756	6,039	7,349	8,631	9,772	10,755
	Lumens Per Watt	153	140	140	136	137	132	130
	BUG Ratings	B1-U0-G1	B1-U0-G1	B1-U0-G2	B1-U0-G2	B2-U0-G2	B2-U0-G2	B2-U0-G2
T4-HSS	Lumens	3,163	4,289	5,445	6,626	7,782	8,811	9,698
	Lumens Per Watt	138	126	127	123	124	119	117
	BUG Ratings	B1-U0-G1	B1-U0-G1	B1-U0-G2	B1-U0-G2	B1-U0-G2	B1-U0-G2	B1-U0-G2
T5	Lumens	3,695	5,010	6,361	7,741	9,091	10,293	11,329
	Lumens Per Watt	161	147	148	143	144	139	136
	BUG Ratings	B3-U0-G1	B3-U0-G1	B3-U0-G2	B3-U0-G2	B4-U0-G2	B4-U0-G3	B4-U0-G3

Lumen Maintenance

Ambient Temperature	TM-21 Lumen Maintenance (50,000 Hours)	TM-21 Lumen Maintenance (75,000 Hours)	TM-21 Lumen Maintenance (100,000 Hours)	Theoretical L70 (Hours)
50°C	> 89%	> 84%	> 79%	>151,000

Lumen Multiplier

Ambient Temperature	Lumen Multiplier
0°C	1.02
10°C	1.01
25°C	1.00
40°C	0.99
50°C	0.97

Fixture Weights and EPAs

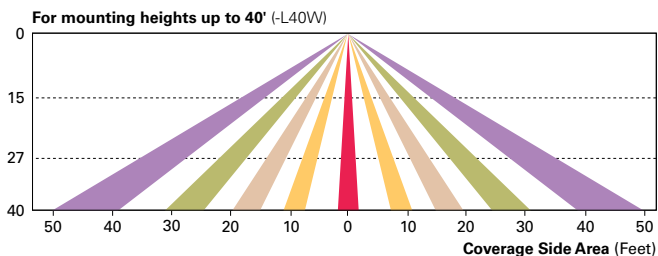
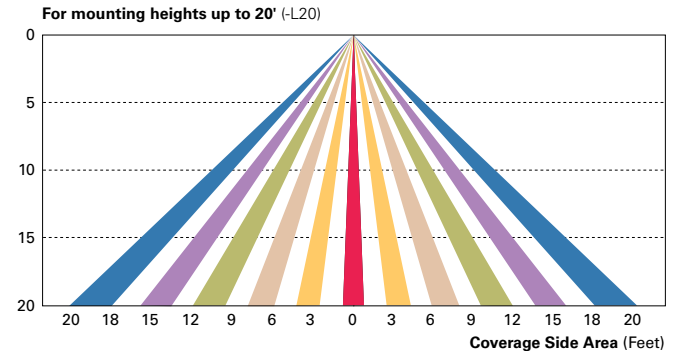
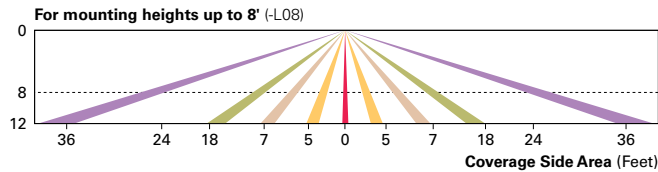
EPA with Refractor (Sq. Ft.)	EPA without Refractor (Sq. Ft.)	Fixture Weight (lbs.)
0.67	0.59	10.7

Control Options

0-10V This fixture provides 0-10V dimming wire leads for use with a lighting control panel or other control method.

Photocontrol (PR and PR7) Photocontrol receptacles provide a flexible solution to enable "dusk-to-dawn" lighting by sensing light levels. Advanced control systems compatible with NEMA 7-pin standards can be utilized with the PR7 receptacle.

Dimming Occupancy Sensor (SPB) These sensors are factory installed in the luminaire housing. When the SPB sensor options are selected, the luminaire will dim down after five minutes of no activity detected. When activity is detected, the luminaire returns to full light output. SPB motion sensors require the Sensor Configuration mobile application by Wattstopper to change factory default dimming level, time delay, sensitivity and other parameters. Available for iOS and Android devices. The SPB sensor is factory preset to dim down to approximately 10% power with a time delay of five minutes.



WaveLinx Wireless Control and Monitoring System Available in 7-PIN or 4-PIN configurations, the WaveLinx Outdoor control platform operates on a wireless mesh network based on IEEE 802.15.4 standards enabling wireless control of outdoor lighting. Use the WaveLinx Mobile application for set-up and configuration. At least one Wireless Area Controller (WAC) is required for full functionality and remote communication (including adjustment of any factory pre-sets).

WaveLinx Outdoor Control Module (WOLC-7P-10A) A photocontrol that enables astronomical or time-based schedules to provide ON, OFF and dimming control of fixtures utilizing a 7-PIN receptacle. The out-of-box functionality is ON at dusk and OFF at dawn.

WaveLinx Wireless Sensor (SWPD4 and SWPD5) These outdoor sensors offer passive infrared (PIR) occupancy and a photocell for closed loop daylight sensing. These sensors can be factory installed or field-installed via simple, tool-less integration into luminaires equipped with the Zhaga Book 18 compliant 4-PIN receptacle (ZD or ZW). These sensors are factory preset to dim down to approximately 50 percent power after 15 minutes of no activity detected. These occupancy sensors include an integral photocell for "dusk-to-dawn" control or daylight harvesting that is factory-enabled. A variety of sensor lenses are available to optimize the coverage pattern for mounting heights from 7'-40'.

