

Main

Panelboard Type	Main lugs
Product or Component Type	Interiors
Branch Circuit Breaker Type	QOB QOB-VH QHB
Busbar Material	Copper

Complementary

Number of spaces	42
Enclosure Nominal Height	38 in (965.20 mm)
Enclosure Nominal Width	20 in (508.00 mm)
Enclosure Nominal Depth	5.75 in (146.05 mm) NEMA 1 6.5 in (165.10 mm) NEMA 3R/5/12
Line Rated Current	225 A
[Iu] rated interrupted current	10 KA 22 KA 65 KA
Wiring configuration	4-wire
Number of Phases	3 phase
Voltage Rating	240 V AC 48 V DC
Connections - terminals	Lug line AWG 6...350 kcmil aluminium Lug neutral AWG 6...350 kcmil aluminium
Tightening torque	40.01...50.01 Lbf.In (4.52...5.65 N.m) 0.02...0.10 in ² (13.30...67.43 mm ²) (AWG 6...AWG 2/0) 100.01 Lbf.In (11.3 N.m) 0.02...0.10 in ² (13.30...67.43 mm ²) (AWG 6...AWG 2/0) 274.99 Lbf.In (31.07 N.m) 0.02...0.27 in ² (13.30...177.3 mm ²) (AWG 6...350 kcmil) 274.99 Lbf.In (31.07 N.m) 0.02...0.20 in ² (13.30...126.7 mm ²) (AWG 6...250 kcmil) 274.99 lbf.in (31.07 N.m) 0.17...0.24 in ² (107.2...152 mm ²) (AWG 4...300 kcmil)
Height	33.00 in (838.20 mm)
Width	10.44 in (265.18 mm)
Product Weight	19.36 lb(US) (8.78 kg)

Environment

Standards	CSA UL
-----------	-----------

The information provided in this documentation contains general descriptions and/or technical characteristics of the performance of the products contained herein. This documentation is not intended as a substitute for and is not to be used for determining suitability or reliability of these products for specific user applications. It is the duty of any such user or integrator to perform the appropriate and complete risk analysis, evaluation and testing of the products with respect to the relevant specific application or use thereof. Neither Schneider Electric Industries SAS nor any of its affiliates or subsidiaries shall be responsible or liable for misuse of the information contained herein.

Ordering and shipping details

Category	09151-NQ RTA PANELBOARDS
Discount Schedule	PE1A
GTIN	785901507871
Returnability	Yes
Country of origin	MX

Packing Units

Unit Type of Package 1	PCE
Number of Units in Package 1	1
Package 1 Height	6.30 in (16.0 cm)
Package 1 Width	14.17 in (36.0 cm)
Package 1 Length	38.58 in (98.0 cm)
Package 1 Weight	20.68 lb(US) (9.38 kg)

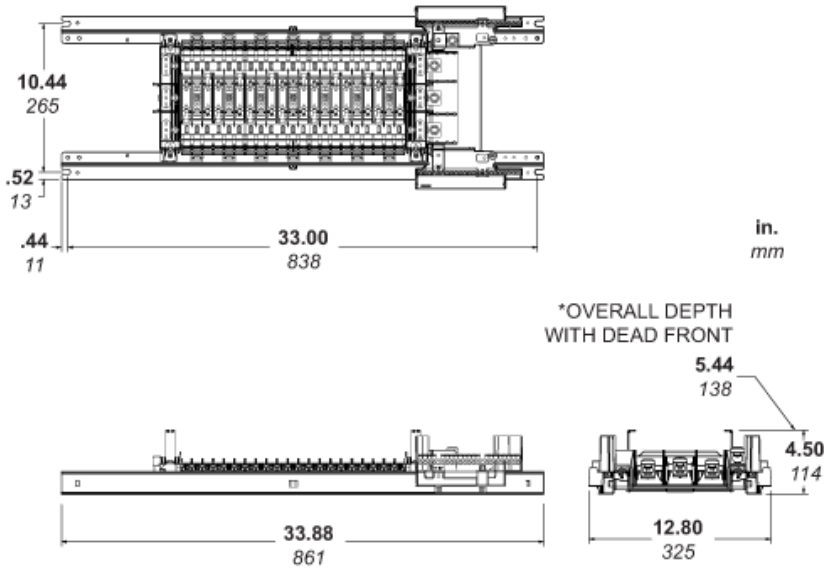
Offer Sustainability

Sustainable offer status	Green Premium product
California proposition 65	WARNING: This product can expose you to chemicals including: Nickel compounds, which is known to the State of California to cause cancer, and Bisphenol A (BPA), which is known to the State of California to cause birth defects or other reproductive harm. For more information go to www.P65Warnings.ca.gov
REACH Regulation	REACH Declaration
REACH free of SVHC	Yes
EU RoHS Directive	Compliant EU RoHS Declaration
Toxic heavy metal free	Yes
Mercury free	Yes
China RoHS Regulation	China RoHS Declaration
RoHS exemption information	Yes
Environmental Disclosure	Product Environmental Profile

Contractual warranty

Warranty	18 months
----------	-----------

Approximate Dimensions



Catalog	Phase/Wire	Bus Thickness	Bus Material	Lug Size
NQ442L2C	3P 4W	.25	CU	#6-350 KCMIL
NQ42L2C	1P 3W	.25	CU	#6-350 KCMIL
NQ442L2	3P 4W	.25	AL	#6-350 KCMIL
NQ42L2	1P 3W	.25	AL	#6-350 KCMIL