



## MODIFICATION USER INSTRUCTIONS

Huawei CPE PRO 3 H138 5G Instructions:

### Warranty Notes:

- This modification voids all warranty rights with manufacturer and therefore shall not be returnable under warranty to the manufacturer.
- Do not open the unit once modified, doing so may damage the new antenna outputs as they have been positionally placed within the unit and therefore any attempt to open the unit causing damage to the outputs are a chargeable repair.

### Antenna notes:

- Please note this modification has converted the internal antennas to external antennas.
- The internal antennas are no longer functional as they are now converted for external antenna use.

### 5G NSA/SA:

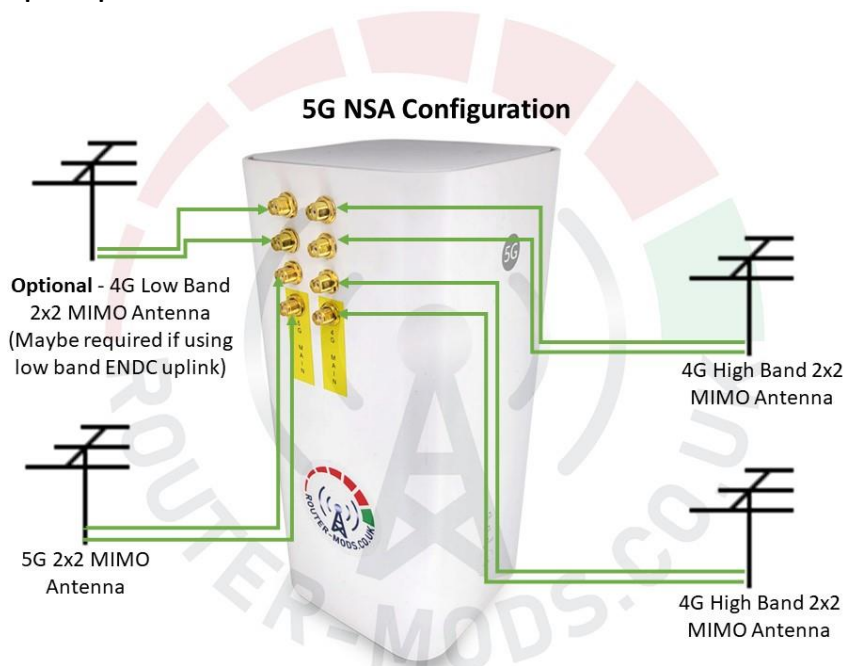
- SA (stand-alone) SA means the mast and router are capable of negotiating a link without needing a 4G connection first, the router must be SA capable and the mast must have its own dedicated 5G infrastructure "SA" not dependant on 4g. (This is more expensive for operators to install).
- NSA (none stand-alone) NSA means the router and the mast must negotiate a 4G link before it can negotiate and use 5g once negotiated it will still require a link in 4g despite using 5g.

### Software Configuration:

- There has been No firmware/software adaptations to the router for the modification process.
- During testing of the modification testing process the router may have been restored to factory default setting, any setting that were previously on the unit have been lost.
- (if your unit has factory antenna outputs) Please ensure within the routers configuration page to ensure you have selected "use internal antenna" this ensures the use of the new modified antenna outputs and does not automatically switch to the factory antenna outputs.

This modification will allow the use of the new external inputs in any of the below configurations.

For any other enquiries please contact us.



Contact Information

Email: [enquiries@router-mods.co.uk](mailto:enquiries@router-mods.co.uk)

Web: [www.router-mods.co.uk](http://www.router-mods.co.uk)

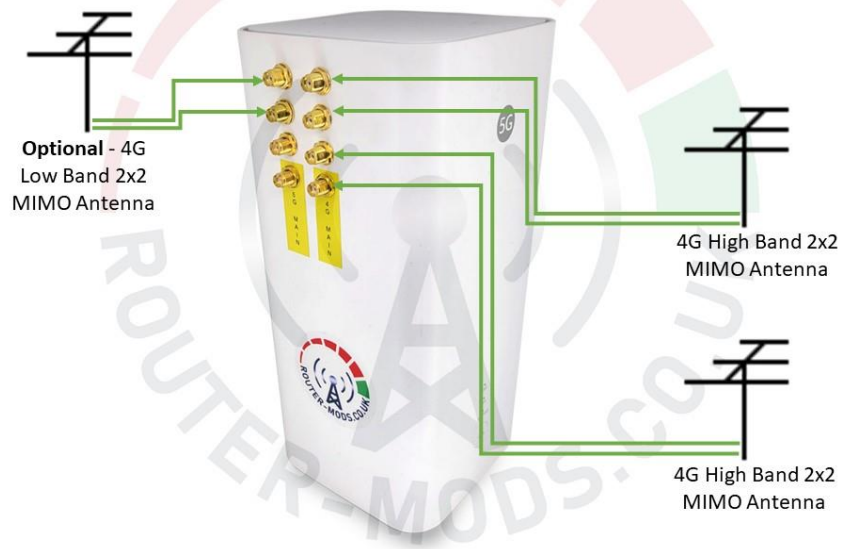


# MODIFICATION USER INSTRUCTIONS

## 5G SA Configuration



## 4G Configuration



Contact Information

Email: [enquiries@router-mods.co.uk](mailto:enquiries@router-mods.co.uk)

Web: [www.router-mods.co.uk](http://www.router-mods.co.uk)