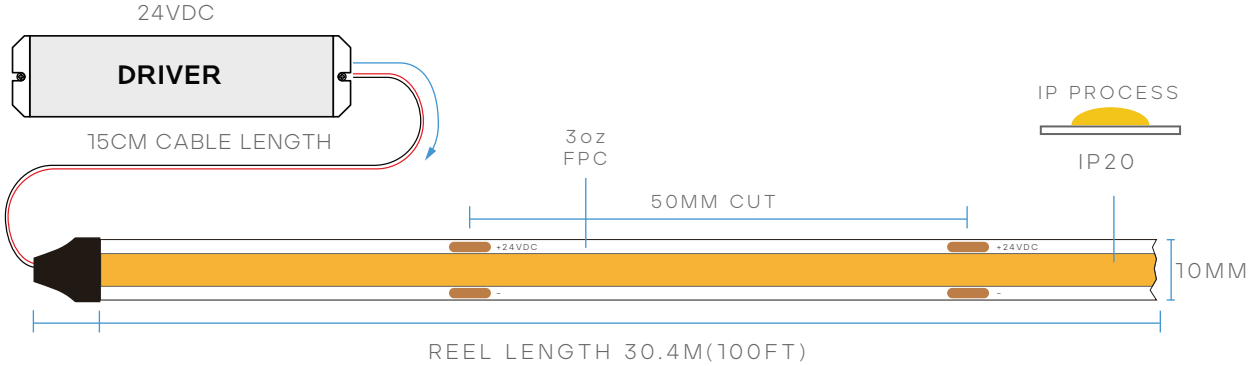


## TAPERITE™ COB TAPE LIGHT



### LR45153

1.5W/FT
152.4W/REEL
IP-20
CRI 90
BEAM SPREAD 135°
24V
10MM
3oz FPC
100' REEL
UL LISTED

MODEL	DESCRIPTION	COLOR (CCT)	LUMEN/FT	WATTAGE /FT	WATTAGE /REEL	EFFICACY
LR45153	LEDTL/COB/1.5W/940/IP20/24V/100FT	4000K - COOL WHITE	145	1.5W	152.5W	95lm/w

#### CHIP

CHIP:	CHIP ON BOARD
WIDTH:	10MM
CUT SIZE:	50MM

#### INSTALLATION

ADHESIVE:	9448A 3M TAPE
CABLE LENGTH:	15CM
MAX. RUN:	30.4M/100FT

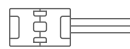
#### PACKAGING

CASE:	10 ROLLS
-------	----------

#### COMPATIBLE CONNECTORS



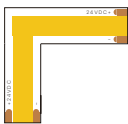
**TAPE TO TAPE**  
LR44713 10MM  
LEDTL/COB/10MM/CNCTR/T-T



**TAPE TO CABLE**  
LR44714 10MM  
LEDTL/COB/10MM/CNCTR/T-C



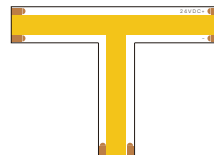
**TAPE TO CABLE TO TAPE**  
LR44715 10MM  
LEDTL/COB/10MM/CNCTR/T-C-T



LR45142 10MM  
LEDTL/COB/4W/930/LEDCTR/L

LR45144 10MM  
LEDTL/COB/4W/935/LEDCTR/L

LR45146 10MM  
LEDTL/COB/4W/940/LEDCTR/L



LR45143 10MM  
LEDTL/COB/4W/930/LEDCTR/T

LR45145 10MM  
LEDTL/COB/4W/935/LEDCTR/T

LR45147 10MM  
LEDTL/COB/4W/940/LEDCTR/T

#### COMPATIBLE CHANNELS \*ALUMINUM CHANNEL REQUIRED FOR HEAT DISSIPATION

