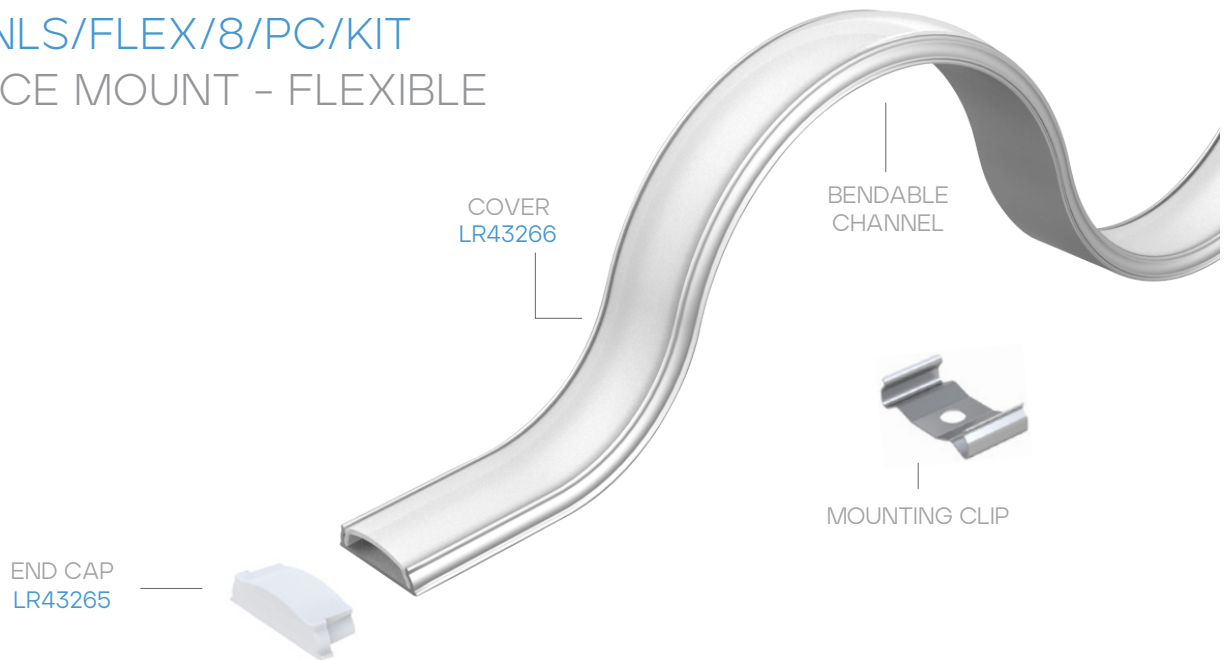


## LR43260

LED/CNLS/FLEX/8/PC/KIT  
SURFACE MOUNT - FLEXIBLE



### BUNDLE COMPONENTS (INCLUDED)

END CAP: LR43265 - LED/CNLS/FLEX/ECAP

PC COVER: LR43266 - LED/CNLS/FLEX/CVR/PC

### SPECIFICATIONS

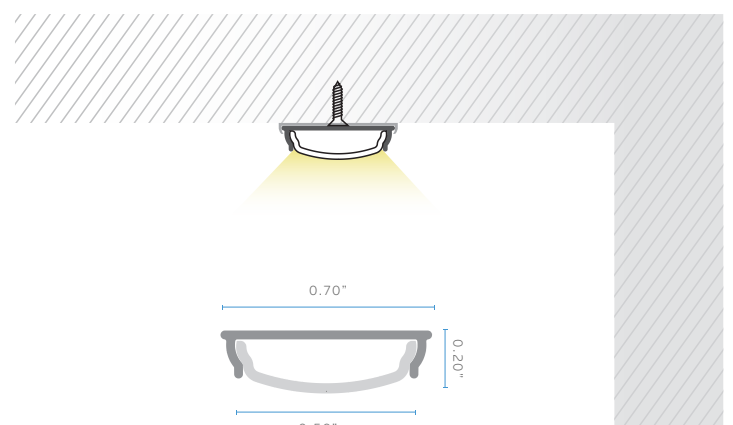
LENGTH:	96"
MATERIAL:	ALUMINUM
END CAP MATERIAL:	PVC
COVER:	MILKY PC
FINISH:	ANODIZED SILVER
FIELD CUTTABLE:	YES
LOCATION:	DRY

#### TAPE LIGHT COMPATIBILITY:

POWER RATE:	≤12W/M
TAPE WIDTH:	≤10MM

· LR44100 · LR44101 · LR44102 · LR44103 · LR44104  
· LR44120 · LR44121 · LR44122 · LR44123 · LR44124

### INSTALLATION



### DIMENSIONS