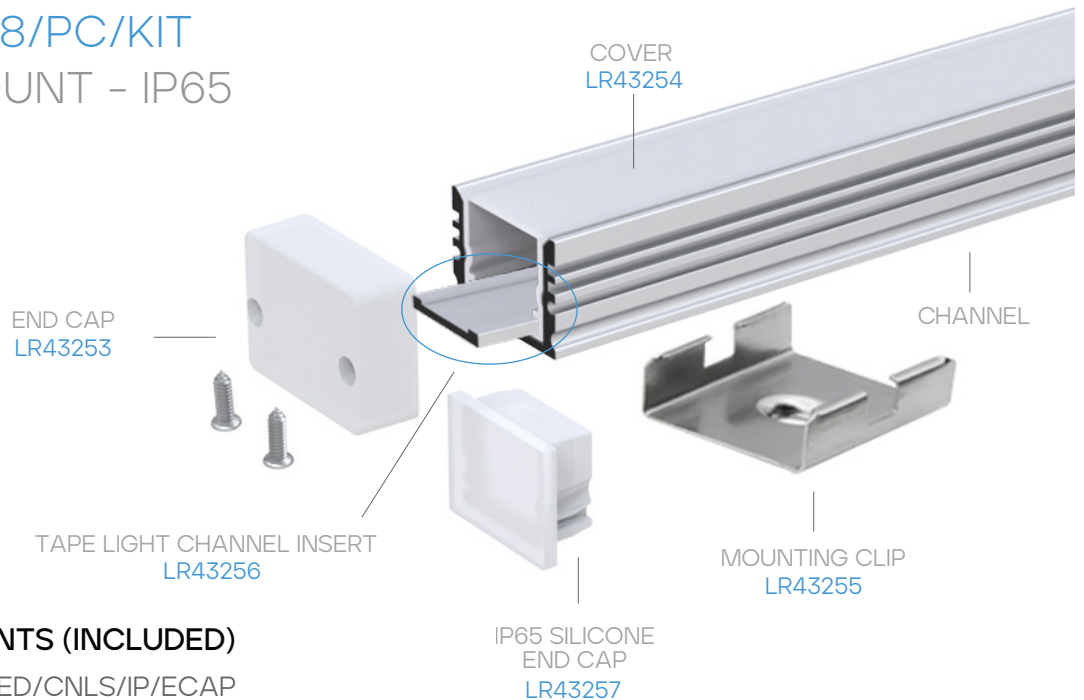


LR43250

LED/CNLS/IP/8/PC/KIT

SURFACE MOUNT - IP65



BUNDLE COMPONENTS (INCLUDED)

- END CAP: LR43253 - LED/CNLS/IP/ECAP
- PC COVER: LR43254 - LED/CNLS/IP/CVR/PC
- MOUNTING CLIP: LR43255 - LED/CNLS/IP/CLIP
- CHANNEL INSERT: LR43256 - LED/CNLS/IP/BAR
- SILICONE END CAP: LR43257 - LED/CNLS/IP/SECAP

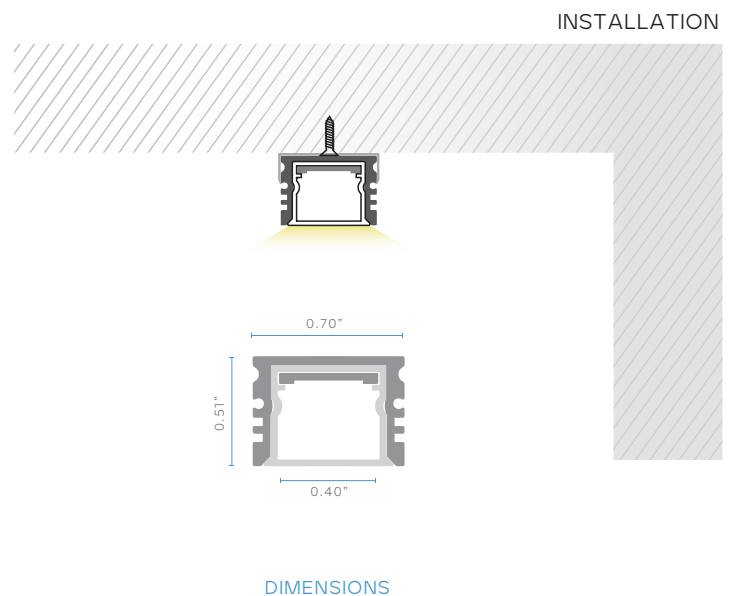
SPECIFICATIONS

LENGTH:	96"
MATERIAL:	ALUMINUM
END CAP MATERIAL:	PVC
COVER:	MILKY PC
FINISH:	ANODIZED SILVER
FIELD CUTTABLE:	YES
LOCATION:	WET

TAPE LIGHT COMPATIBILITY:

POWER RATE:	≤15W/M
TAPE WIDTH:	≤10MM

- LR44100
- LR44101
- LR44102
- LR44103
- LR44104
- LR44120
- LR44121
- LR44122
- LR44123
- LR44124
- LR44200
- LR44201
- LR44202
- LR44203
- LR44204
- LR44300
- LR44301
- LR44302
- LR44303
- LR44304
- LR44400
- LR44401
- LR44402
- LR44403
- LR44404



DIMENSIONS