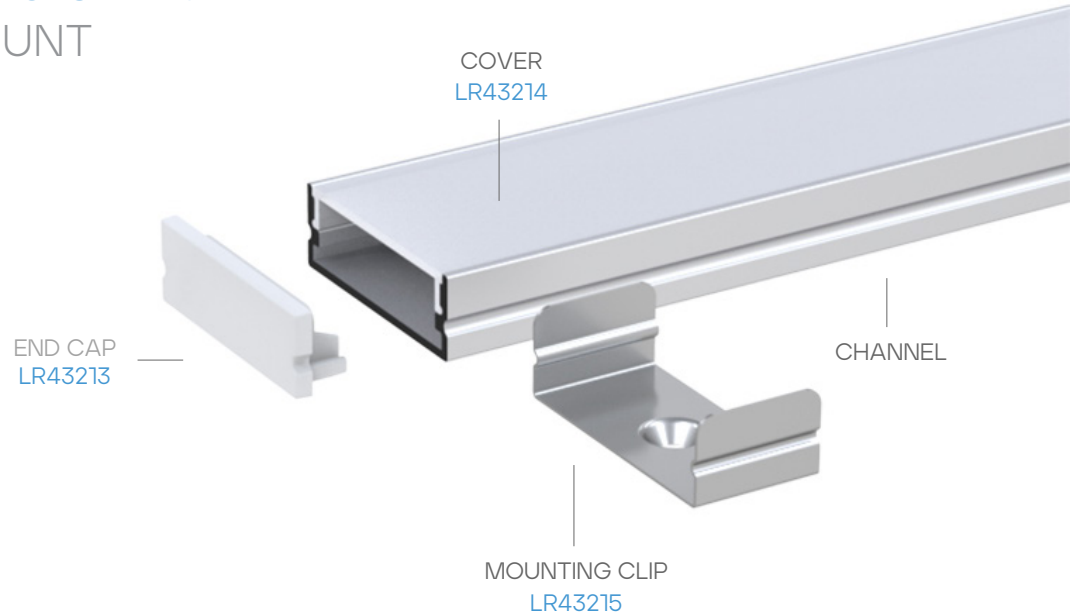


LR43210

LED/CNLS/V2/8/SV/PC/KIT

SURFACE MOUNT



BUNDLE COMPONENTS (INCLUDED)

END CAP: LR43213 – LED/CNLS/V2/ECAP

PC COVER: LR43214 – LED/CNLS/V2/CVR/PC

MOUNTING CLIP: LR43215 – LED/CNLS/V2/CLIP

SPECIFICATIONS

| | |
|-------------------|-----------------|
| LENGTH: | 96" |
| MATERIAL: | ALUMINUM |
| END CAP MATERIAL: | PVC |
| COVER: | MILKY PC |
| FINISH: | ANODIZED SILVER |
| FIELD CUTTABLE: | YES |
| LOCATION: | DRY |

TAPE LIGHT COMPATIBILITY:

| | |
|-------------|--------|
| POWER RATE: | ≤20W/M |
| TAPE WIDTH: | ≤27MM |

- LR44100 · LR44101 · LR44102 · LR44103 · LR44104
- LR44120 · LR44121 · LR44122 · LR44123 · LR44124
- LR44200 · LR44201 · LR44202 · LR44203 · LR44204
- LR44300 · LR44301 · LR44302 · LR44303 · LR44304
- LR44400 · LR44401 · LR44402 · LR44403 · LR44404
- LR44500 · LR44501 · LR44502 · LR44503 · LR44504
- LR44600 · LR44601 · LR44602 · LR44603 · LR44604

