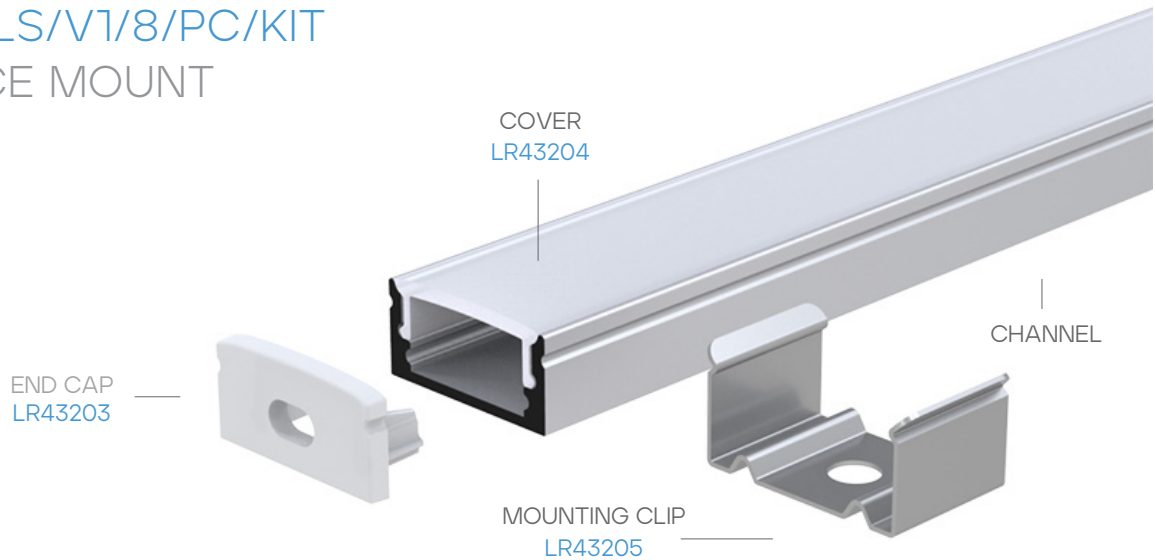


## LR43200

LED/CNLS/V1/8/PC/KIT  
SURFACE MOUNT



### BUNDLE COMPONENTS (INCLUDED)

END CAP: LR43203 – LED/CNLS/V1/ECAP  
PC COVER: LR43204 – LED/CNLS/V1/CVR/PC  
MOUNTING CLIP: LR43205 – LED/CNLS/V1/CLIP

### CONNECTORS (\*SOLD SEPARATELY)

LR43206  
LED/CNLS/V1/JCON90  
TYPE: 90°



LR43207  
LED/CNLS/V1/JCON180  
TYPE: 180°



### SPECIFICATIONS

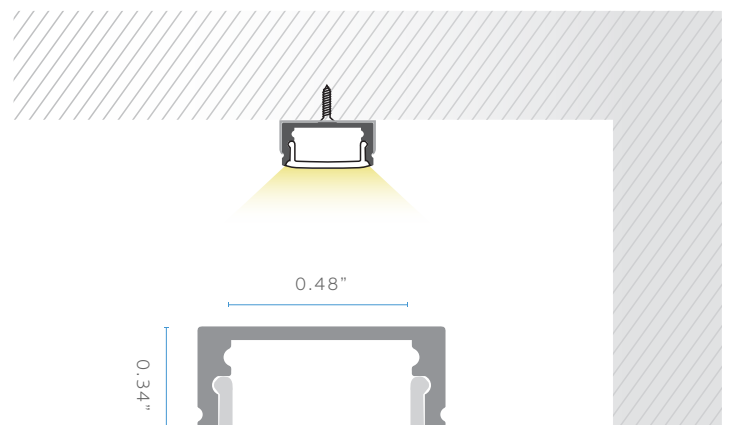
LENGTH:	96"
MATERIAL:	ALUMINUM
END CAP MATERIAL:	PVC
COVER:	MILKY PC
FINISH:	ANODIZED SILVER
FIELD CUTTABLE:	YES
LOCATION:	DRY

#### TAPE LIGHT COMPATIBILITY:

POWER RATE:	≤20W/M
TAPE WIDTH:	≤12MM

- LR44100 • LR44101 • LR44102 • LR44103 • LR44104
- LR44120 • LR44121 • LR44122 • LR44123 • LR44124
- LR44200 • LR44201 • LR44202 • LR44203 • LR44204
- LR44300 • LR44301 • LR44302 • LR44303 • LR44304
- LR44400 • LR44401 • LR44402 • LR44403 • LR44404
- LR44500 • LR44501 • LR44502 • LR44503 • LR44504
- LR44600 • LR44601 • LR44602 • LR44603 • LR44604

### INSTALLATION



0.34"

0.48"

0.66"

DIMENSIONS