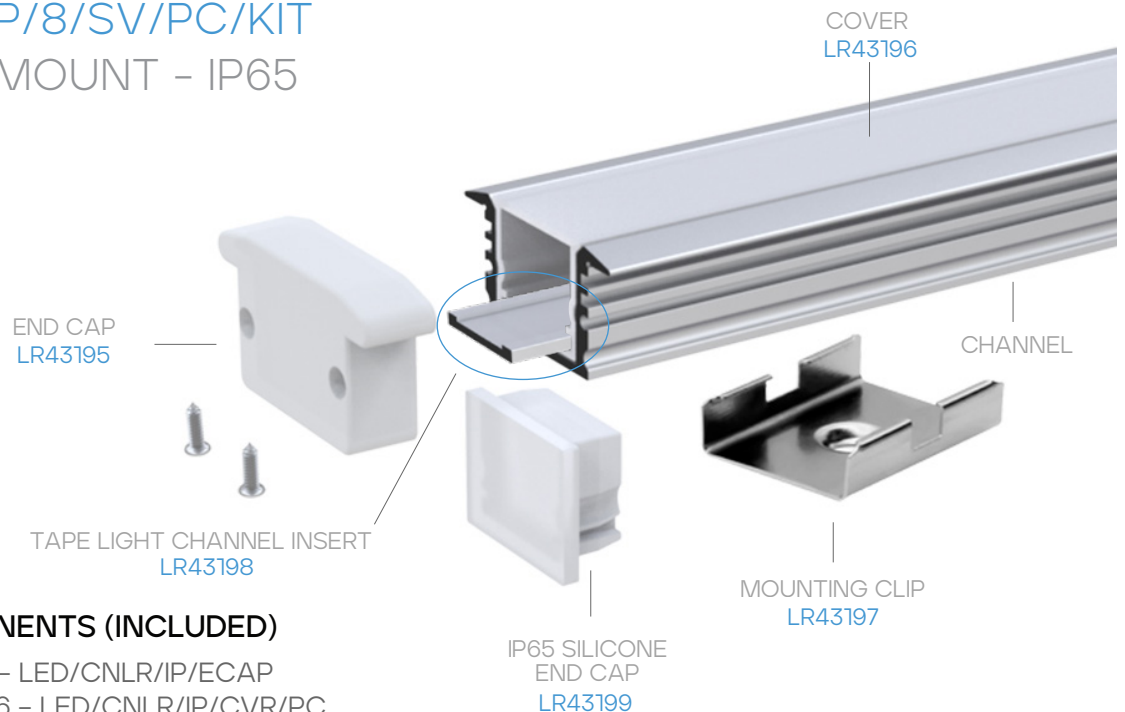


## LR43190

LED/CNLR/IP/8/SV/PC/KIT

RECESSED MOUNT - IP65



### BUNDLE COMPONENTS (INCLUDED)

- END CAP: LR43195 – LED/CNLR/IP/ECAP
- PC COVER: LR43196 – LED/CNLR/IP/CVR/PC
- MOUNTING CLIP: LR43197 – LED/CNLR/IP/CLIP
- CHANNEL INSERT: LR43198 – LED/CNLR/IP/BAR
- SILICONE END CAP: LR43199 – LED/CNLR/IP/SECAP

### SPECIFICATIONS

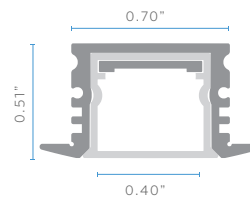
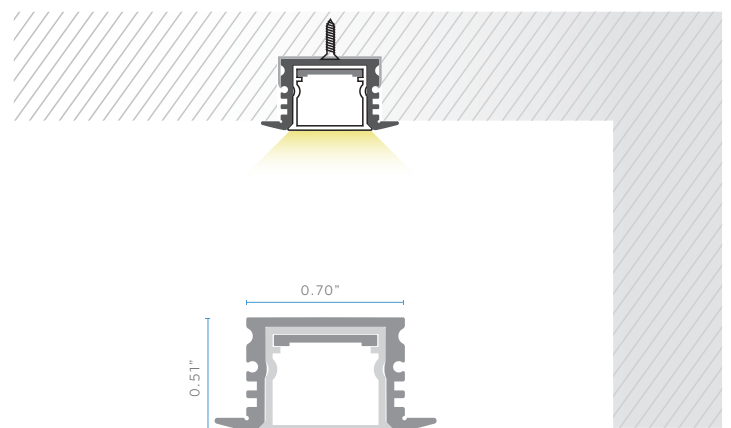
LENGTH:	96"
MATERIAL:	ALUMINUM
END CAP MATERIAL:	PVC
COVER:	MILKY PC
FINISH:	ANODIZED SILVER
FIELD CUTTABLE:	YES
LOCATION:	WET

#### TAPE LIGHT COMPATIBILITY:

POWER RATE:	≤20W/M
TAPE WIDTH:	≤10MM

- LR44100
- LR44101
- LR44102
- LR44103
- LR44104
- LR44120
- LR44121
- LR44122
- LR44123
- LR44124
- LR44200
- LR44201
- LR44202
- LR44203
- LR44204
- LR44300
- LR44301
- LR44302
- LR44303
- LR44304
- LR44400
- LR44401
- LR44402
- LR44403
- LR44404
- LR44500
- LR44501
- LR44502
- LR44503
- LR44504
- LR44600
- LR44601
- LR44602
- LR44603
- LR44604

#### INSTALLATION



DIMENSIONS