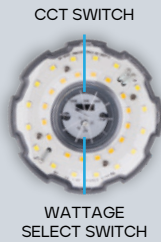
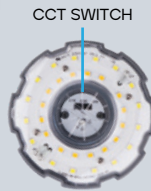


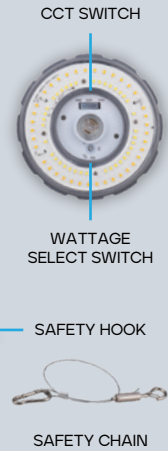
## LED FLOOD LAMP HID E26, E39



**E26 BASE**  
18W | 27W | 36W  
150W WATT REPLACEMENT



**E39 BASE**  
36W | 54W | 63W  
175W WATT REPLACEMENT



**E39 BASE**  
80W | 100W | 120W  
400W WATT REPLACEMENT

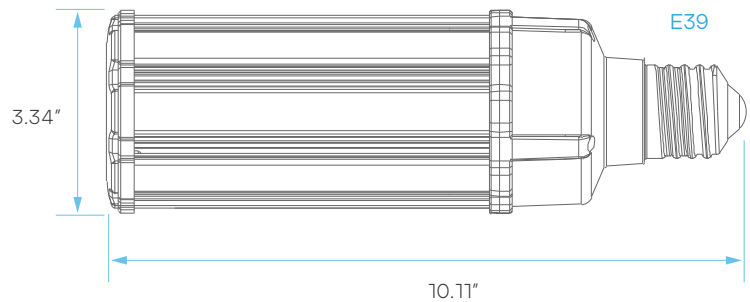
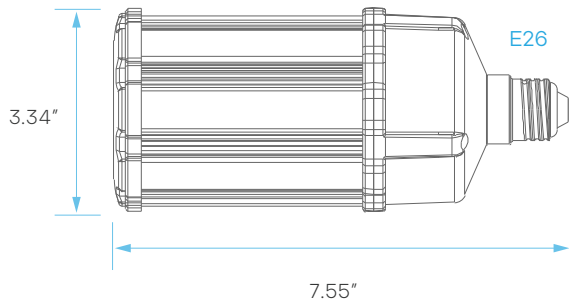
**CRI 80**

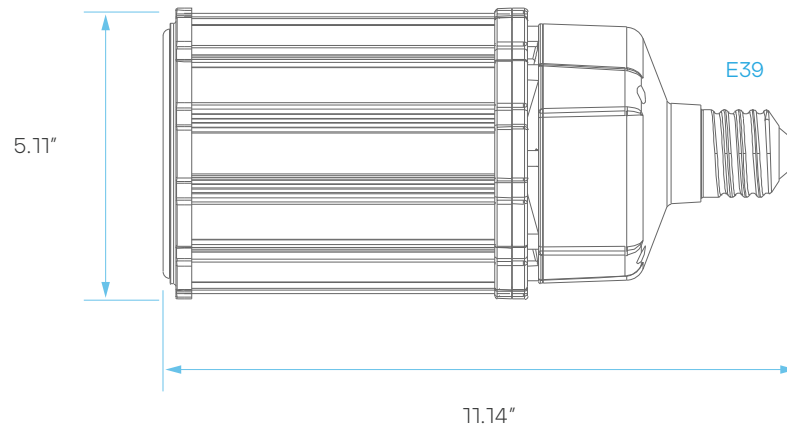
**COLOR SELECTABLE**  
3000K | 4000K | 5000K

**ENCLOSED FIXTURE RATED**

**DAMP LOCATION RATED**

**5 YEAR WARRANTY**





## ELECTRICAL

	MODEL	DESCRIPTION	POWER	INPUT VOLTS	EFFICACY	LIFETIME	WATT REPLACEMENT	COST/YR
MED	LR41605	LEDHID36/3WO/3CCT/MED/B	18	100-277V	124 @ 3000K	50,000	150 MHL/HPS/HID	\$ 4.33
			27		138 @ 4000K			
			36		135 @ 5000K			
MOG	LR41607	LEDHID63/3WO/3CCT/MOG/B	36	100-277V	137 @ 3000K	50,000	175 MHL/HPS/HID	\$ 7.58
			54		138 @ 4000K			
			63		139 @ 5000K			
MOG	LR41609	LEDHID120/3WO/3CCT/MOG/B	80	100-277V	131 @ 3000K	50,000	400 MHL/HPS/HID	\$ 14.45
			100		132 @ 4000K			
			120		133 @ 5000K			

## PHOTOMETRIC

MODEL	DESCRIPTION	COLOR (CCT)	TEMP	LUMEN	BASE	FLOOD	CRI	UL
LR41605	LEDHID36/3WO/3CCT/MED/B	3000K	CCT SELECT	4899	E26	193°	80	YES
		4000K		5619				
		5000K		5447				
LR41607	LEDHID63/3WO/3CCT/MOG/B	3000K	CCT SELECT	8711	E39	190°	80	YES
		4000K		9567				
		5000K		9305				
LR41609	LEDHID120/3WO/3CCT/MOG/B	3000K	CCT SELECT	16455	E39	137°	80	YES
		4000K		18316				
		5000K		17503				