

CCT & WATTAGE SELECTABLE UFO HIGHBAY LR41505, LR41507

CAUTION

1. DO NOT USE THE ELECTRIC GENERATOR TO TEST THE LED LIGHT.
2. PLEASE ABIDE BY THE APPROPRIATE NATIONAL, REGIONAL AND LOCAL LAW AND REGULATIONS WHEN INSTALL THIS FIXTURE.
3. PLEASE TURN OFF THE POWER BEFORE INSTALLATION OR MAINTENANCE.
4. PROPER GROUNDING IS REQUIRED TO ENSURE SAFETY

NOTICE

1. To avoid possibility of electrical shock or fire, installation should be done by a certified electrician.
2. Wear gloves to avoid injury before installation.
3. If smoke or sparks happen during installation, turn off the power immediately and notify qualified personnel.
4. Please use listed waterproof stain relief bushing when connecting the supply cord to the outlet box.

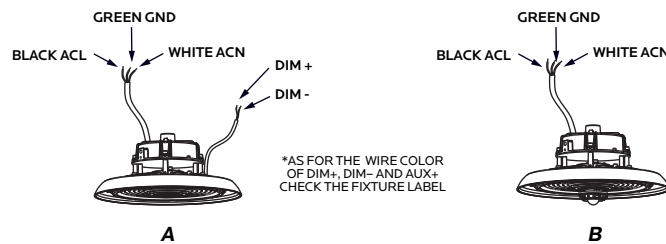
ATTENTION

1. Please check if there is any damage during shipping. If so, please contact the manufacturer immediately.
2. Please read the installation instructions carefully to check whether all the accessories are complete. Once confirmed, proceed to install the fixture following these instructions.

WIRING DIAGRAM & INSTRUCTIONS:

This LED highbay light can be equipped with optional DC motion sensor, and is available with 1-10V dimming function, with the following 3 dimming solutions:

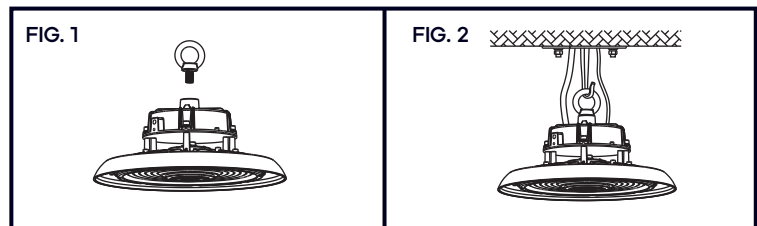
1. 1-10V dimming
2. Intelligent dimming with DC motion sensor
3. Pre-install tool-free handling DC motion sensor dimming module, and choose dimming function freely.



Please use the dimming+, dimming - (DC 10V) marking leads to connect outside dimmer. The pink wire with shrinkable tubing shall not be damaged (no connection). CLASS 1 WIRING ONLY. Please assure a cumulative leakage current of less than 3.5 mA on the control circuit.

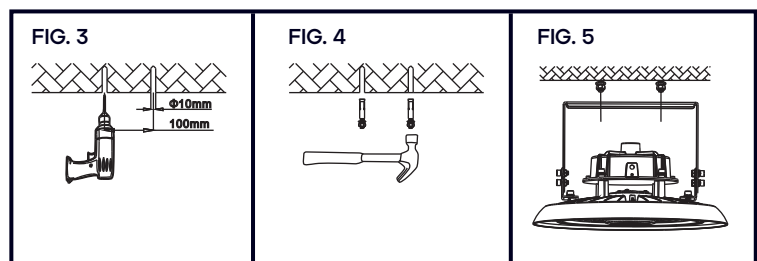
HOOK MOUNT INSTALL

1. Screw the hook into the fixture, tighten and fix it. FIG. 1
2. Hang the fixture on the ceiling hook or chain. FIG. 2
3. After installation, connect the wire of the fixture to the mains according to local electrical code, ensure the connection is stable and make good protection on the connection.

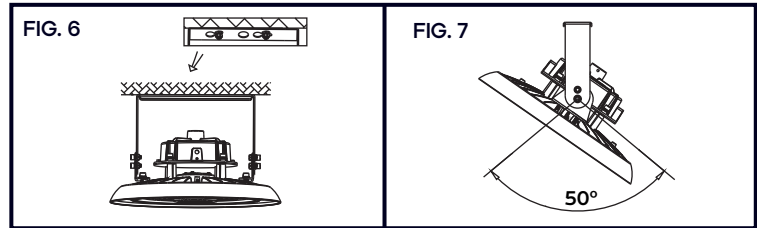


CEILING MOUNT INSTALL

1. Mark with a mark pen or sharp tool on the mounting surface and drill. FIG. 3
2. Fix screws into the holes with a hammer. FIG. 4
3. Align the bracket hole with screw hole (FIG. 5), and push the fixture to one side (FIG. 6) and fix it.



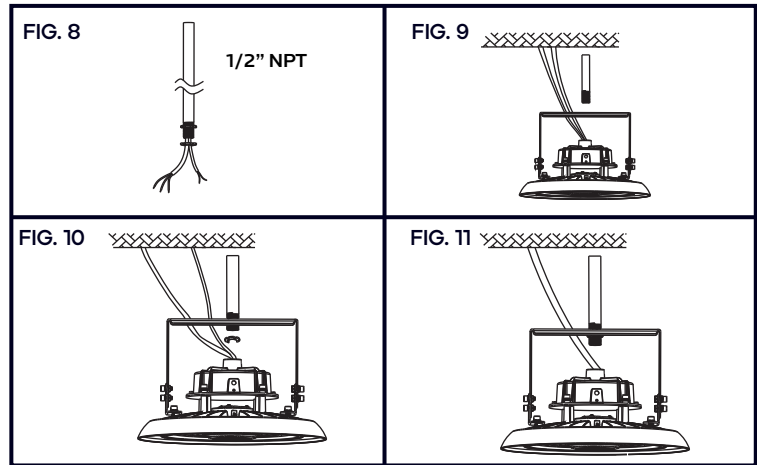
4. After installation, connect the wire of the fixture to the mains according to the local electrical code, ensure the connection is stable and well protected on the connection. By adjusting the brackets screws, users can adjust 50° to the left or right vertically. (FIG. 7)



1/2" NPT MOUNT

1. Unscrew the nuts on 1/2" NPT. FIG. 8
2. Insert 1/2" NPT stem into the bracket hole. FIG. 9
3. Re-screw the nuts. FIG. 10

4. After installation, connect the wire of the fixture to the mains according to the local electrical code, ensure the connection is stable and make good protection on the connection. By adjusting the bracket screws, users can adjust 50° to the left or right vertically. FIG. 11

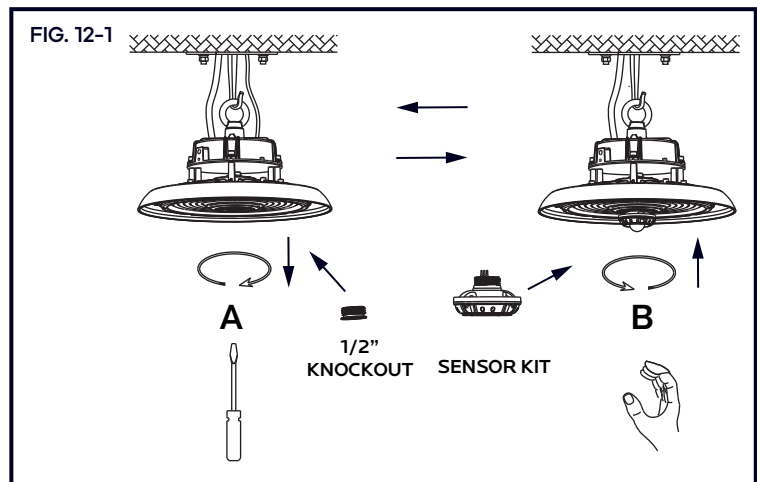


INSTALLATION OF DC MOTION SENSOR

* SOLD SEPARATELY

FIG. 12-1

If fixture has sensor receptacle installed, screw the 1/2" knockout with screw driver by illustrated instructions, and screw the sensor kit on. The sensor is set as universal mode (refer to sensor spec sheet), the setting is programmable via remote control (the remote control is sold separately)



CCT & WATTAGE SELECTABLE FEATURE

THIS FIXTURE HAS INTEGRATED FUNCTION OF 2 CCT SELECT AND 3 WATTAGE SELECT. THE SETTING CAN BE CUSTOMIZED.

OPERATION:
TAKE OFF THE WATERPROOF GASKET, ADJUST DIP SWITCH TO DESIRED CCT AND POWER AS PER SIGN. FIG. 12-2

