

LED WAREHOUSE UFO HIGHBAY - 3 CCT & WATTAGE SELECTABLE 150W, 240W



CCT & WATTAGE
SELECT SWITCHES

SAFETY HOOK

150W

100W | 120W | 150W



CCT & WATTAGE
SELECT SWITCHES

SAFETY HOOK

240W

200W | 220W | 240W



CCT & WATTAGE SELECT SWITCHES

MOUNTING OPTIONS & ACCESSORIES SOLD SEPARATELY



LR41510
MOTION
SENSOR



LR41512
REMOTE
CONTROL



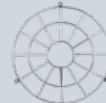
LR41514
J-HOOK



LR41515
PENDANT
ADAPTER



LR41516
MOUNTING
BRACKET



LR41518
WIRE GUARD



LR41530
90° DIFFUSER
FOR LR41520
150W HIGHBAY



LR41532
90° DIFFUSER
FOR LR41526
240W HIGHBAY



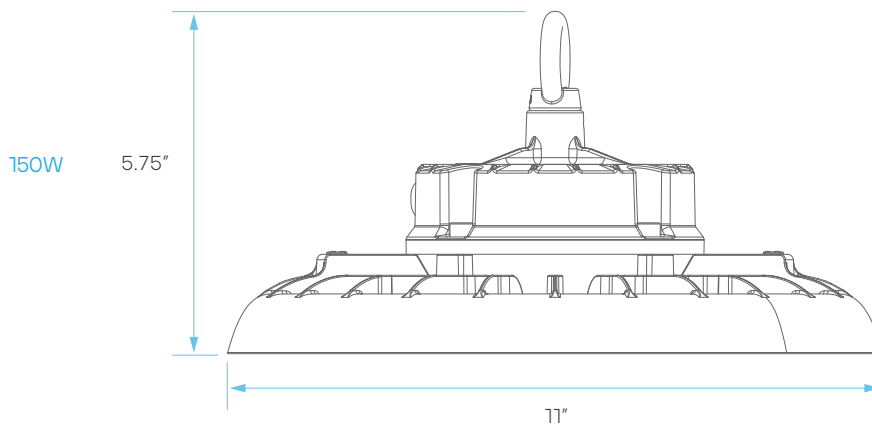
COLOR SELECTABLE

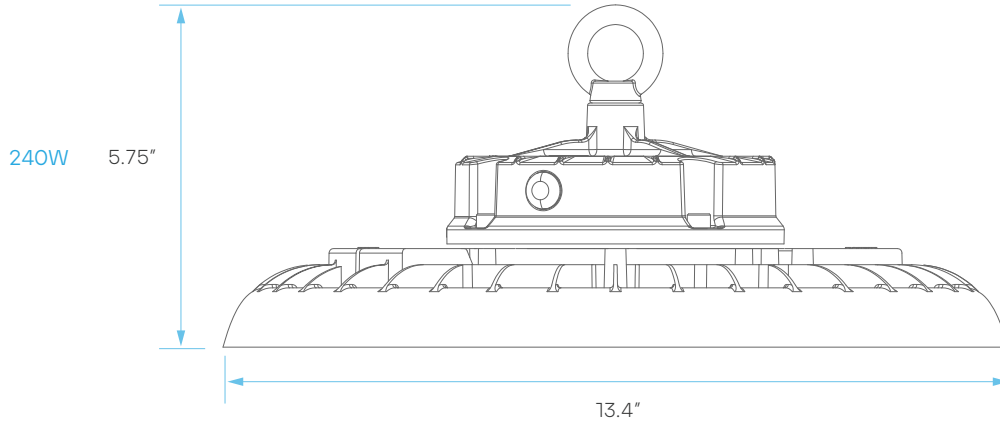
WATTAGE SELECTABLE



DIMMABLE

0-10V





ELECTRICAL

MODEL	DESCRIPTION	POWER	3500K		4000K		5000K		INPUT VOLTS	LIFETIME	COST/YR
			EFFICACY	LUMEN	EFFICACY	LUMEN	EFFICACY	LUMEN			
150W LR41520	LEDUFO150/3WO/3CCT/V2/BK	150	135	20250	150	22500	140	21000	120-277V	50,000	\$ 18.06
		120	138	16560	154	18480	145	17400			
		100	141	14100	158	15800	150	15000			
240W LR41526	LEDUFO240/3WO/3CCT/V2/BK	240	135	32400	150	36000	140	33600	120-277V	50,000	\$ 28.90
		220	137	30140	153	33660	144	31680			
		200	139	27800	156	31200	148	29600			

PHOTOMETRIC

MODEL	DESCRIPTION	COLOR (CCT)	TEMP	SURGE PROTECTOR	FLOOD	CRI	UL LISTED	DLC LISTED
LR41520	LEDUFO150/3WO/3CCT/V2/BK	3500K	CCT SELECTABLE	6KV	90°	80	YES	PREMIUM
		4000K						
		5000K						
LR41526	LEDUFO240/3WO/3CCT/V2/BK	3500K	CCT SELECTABLE	6KV	90°	80	YES	PREMIUM
		4000K						
		5000K						

MOTION SENSOR



LR41510
*SOLD SEPARATELY

REMOTE



LR41512
*SOLD SEPARATELY

MODEL	DESCRIPTION
LR41510	LEDUFO150/MS

MODEL	DESCRIPTION
LR41512	LEDUFO150/REMOTE

J-HOOK



LR41514
*SOLD SEPARATELY

PENDANT ADAPTER



LR41515
*SOLD SEPARATELY

MODEL	DESCRIPTION
LR41514	LEDUFO/JHOOK

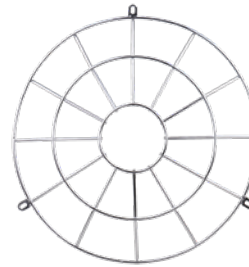
MODEL	DESCRIPTION
LR41515	LEDUFO/34P/ADAPTER

MOUNTING BRACKET



LR41516
*SOLD SEPARATELY

WIRE GUARD



LR41518
*SOLD SEPARATELY

MODEL	DESCRIPTION
LR41516	LEDUFO150/SMBRACKET

MODEL	DESCRIPTION
LR41518	LEDUFO150/WGRD

90° DIFFUSER



LR41530
90° DIFFUSER
FOR LR41520
150W HIGHBAY
*SOLD SEPARATELY

90° DIFFUSER



LR41532
90° DIFFUSER
FOR LR41526
240W HIGHBAY
*SOLD SEPARATELY

MODEL	DESCRIPTION
LR41530	LEDUFO150/V2/90D/AC/DIF

MODEL	DESCRIPTION
LR41532	LEDUFO240/V2/90D/AC/DIF