

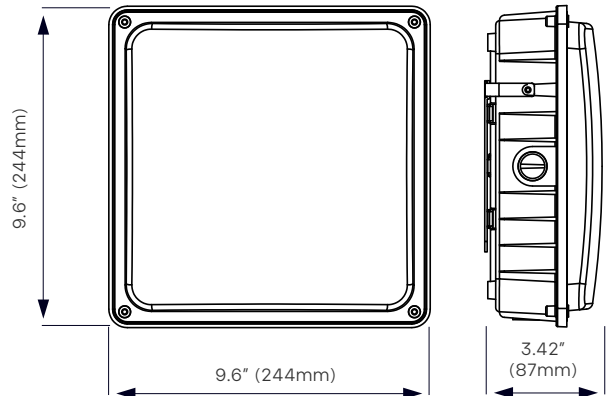
3 CCT SELECT LED WALLPACK CANOPY LR40705, LR40715

IMPORTANT SAFEGUARDS

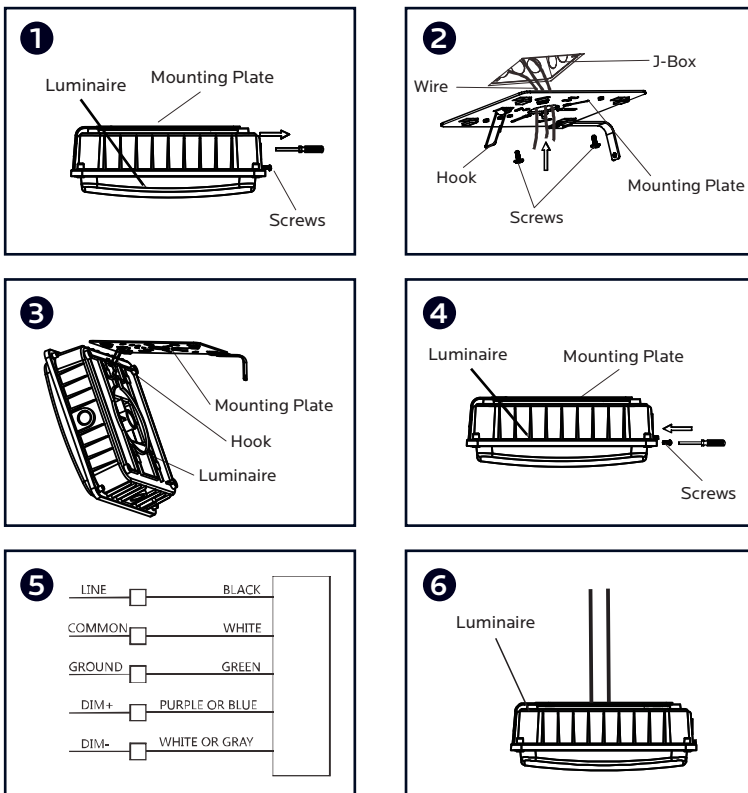
When using electrical equipment, basic safety precautions should always be followed including the following:

READ AND FOLLOW ALL SAFETY INSTRUCTIONS

1. To reduce the risk of electrical shock, turn off power supply before installation or servicing.
2. This luminaire must be installed in accordance with the NEC or your local electrical code. If you are not familiar with these codes and requirements, consult a qualified electrician.
3. Verify the availability of necessary tools and incidental material.



TO INSTALL WITH MOUNTING PLATE



INSTALLATION WITH MOUNTING PLATE

STEP 1 - FIGURE 1

1. Remove the screw and remove the mounting plate.

1. Verify that supply power is off and that the j-box is securely mounted within the structural surface.

2. Remove both j-box fasteners from j-box (set aside for re-installation as needed)

3. Position mounting plate over j-box feeding supply wires thru center of the mounting plate. Replace fasteners from **STEP 2**, (DO NOT fully tighten)

STEP 3 - FIGURE 3

1. Hung the luminaire on the mounting plate with hook.

2. Make supply wire (power and dimming) to fixture wire connections as required through splice access. Universal voltage driver permits operation at 120V through 277V, 50 or 60Hz 0-10V control wires must be rated for 300V minimum. For 0-10V Dimming, follow the wiring directions as shown in **FIGURE 5**.

STEP 4 - FIGURE 4

- Install the luminaire and fully tighten fastener.

PENDANT MOUNTING (G3/4) FIGURE 6

1. Remove the screw and remove the mounting plate.
2. Make sure that supply wire power is disconnected.
3. Fixture is supplied with conductors exiting the threaded conduit entrance.
4. Feed conductors through conduit supplied by others to splice compartment.
5. Screw conduit into threaded conduit hub located on top of fixture making sure that at least three full threads are engaged. Use caution not to twist conductors.
6. Use locking nut and thread sealant (not supplied) to seal the conduit entry and lock fixture in place.
7. Connect fixture wires to appropriate voltage supply wires using proper sized connectors.