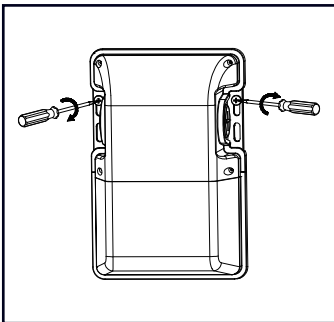


3 CCT & WATTAGE SELECTABLE LED WALLPACK CUBE LR40616, LR40618

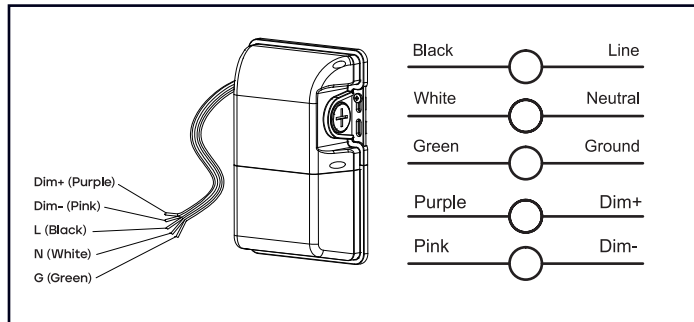
WARNING - READ ALL INSTRUCTIONS BEFORE ATTEMPTING INSTALLATION

- TO PREVENT PERSONAL INJURY OF PRODUCT DAMAGE ONLY LICENSED ELECTRICIANS SHOULD INSTALL.
- TO AVOID ELECTRIC SHOCK OR COMPONENT DAMAGE, DISCONNECT POWER BEFORE ATTEMPTING INSTALLATION OR SERVICING.
- DISCONNECT PRODUCT AND ALLOW COOLING PRIOR TO SERVICING.
- ANY ALTERATION OR MODIFICATION OF THIS PRODUCT IS FORBIDDEN AS IT MAY CAUSE PERSONAL INJURY, DEATH, PROPERTY DAMAGE AND/OR PRODUCT MALFUNCTION.
- TO PREVENT PRODUCT MALFUNCTION AND/OR ELECTRICAL SHOCK, THIS PRODUCT MUST BE PROPERLY GROUNDED.
- THIS LUMINAIRE IS DESIGNED TO OPERATE IN AMBIENT TEMPERATURES RANGING FROM -40°F TO 113°F.
- MIN 75° C SUPPLY CONDUCTORS.
- CONSULT A QUALIFIED ELECTRICIAN TO ENSURE CORRECT BRANCH CIRCUIT CONDUCTOR.

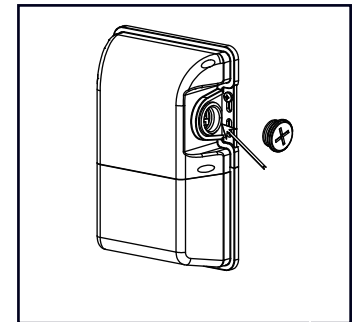
INSTALLATION METHOD A



1. Affix the fixture on the wall through the side ear holes with 2x M4 screws (not provided).

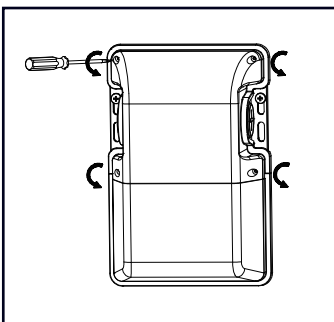


2. Connect the wires as shown above.

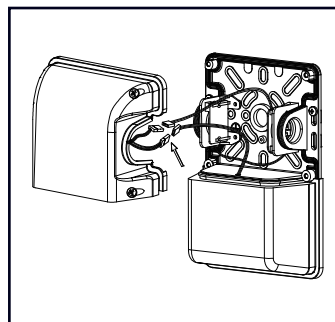


3. Unscrew the cap to select desired CCT/Wattage/Photo-sensor function, and cap back.

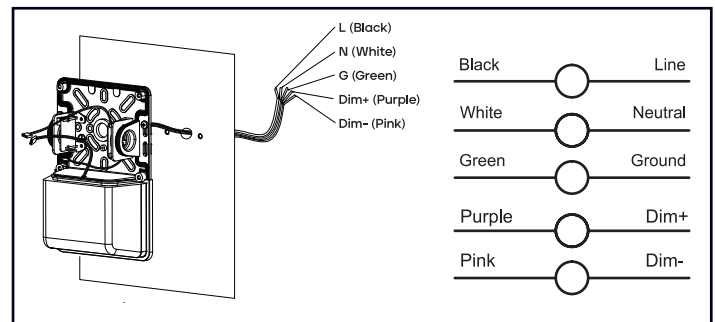
INSTALLATION METHOD B



1. Unscrew the 4x M3 screws on the MWP front cover (driver box).

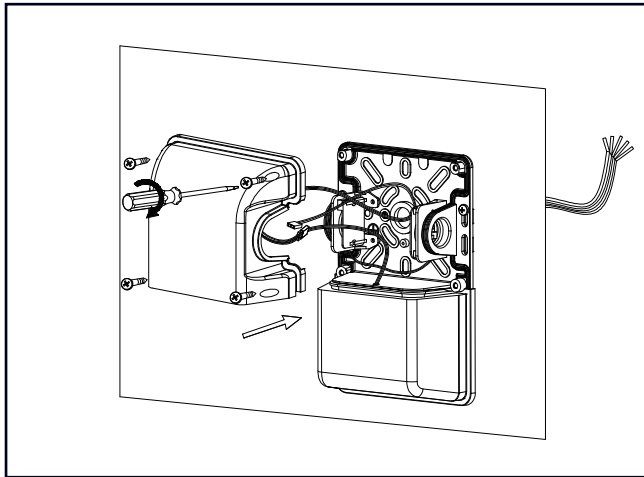


2. Unplug the male and female driver connector, then remove the driver box.

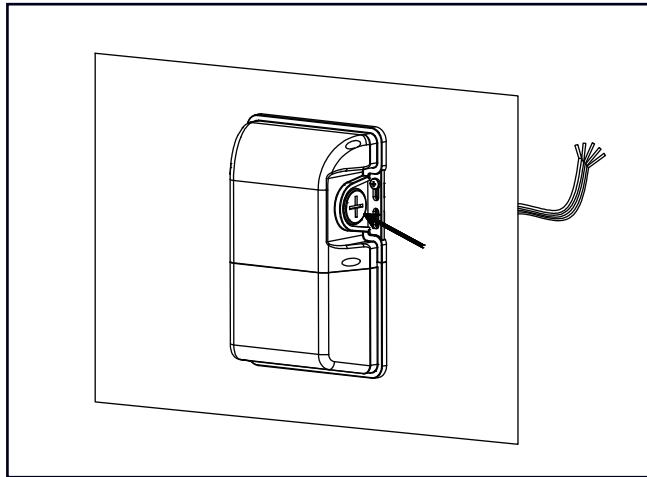


3. Drill holes on the MWP base according to the junction box template or mounting position on the wall. Affix the MWP fixture and then connect the wires as shown below.

3 CCT & WATTAGE SELECTABLE LED WALLPACK CUBE LR40616, LR40618



4. Connect the male and female connectors. Carefully & tightly attach the MWP front cover (driver box) back to the base by the 4x M3 screws.

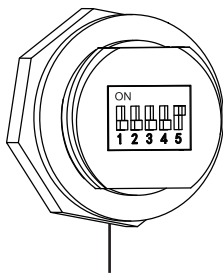


5. Unscrew the cap to select desired CCT/Wattage/Photosensor function, and then screw back.

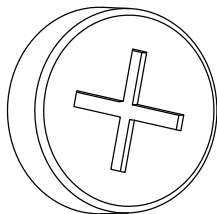
CCT & WATTAGE SELECT INSTRUCTIONS

WARNING:

- SELECT DESIRED CCT & WATTAGE BEFORE OPERATING.
- CAP MUST BE SCREWED BACK AFTER CCT & WATTAGE SELECTION.

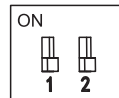


CCT & WATTAGE
SELECT MODULAR

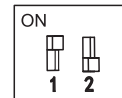


CAP

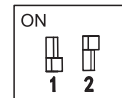
WATTAGE SELECT



100% (DEFAULT)

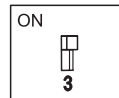


80%

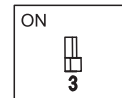


60%

PHOTOCELL

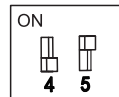


SENSOR ON

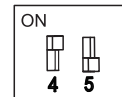


SENSOR OFF
(DEFAULT)

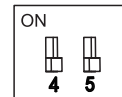
CCT SELECT



5000K (DEFAULT)



4000K



3000K