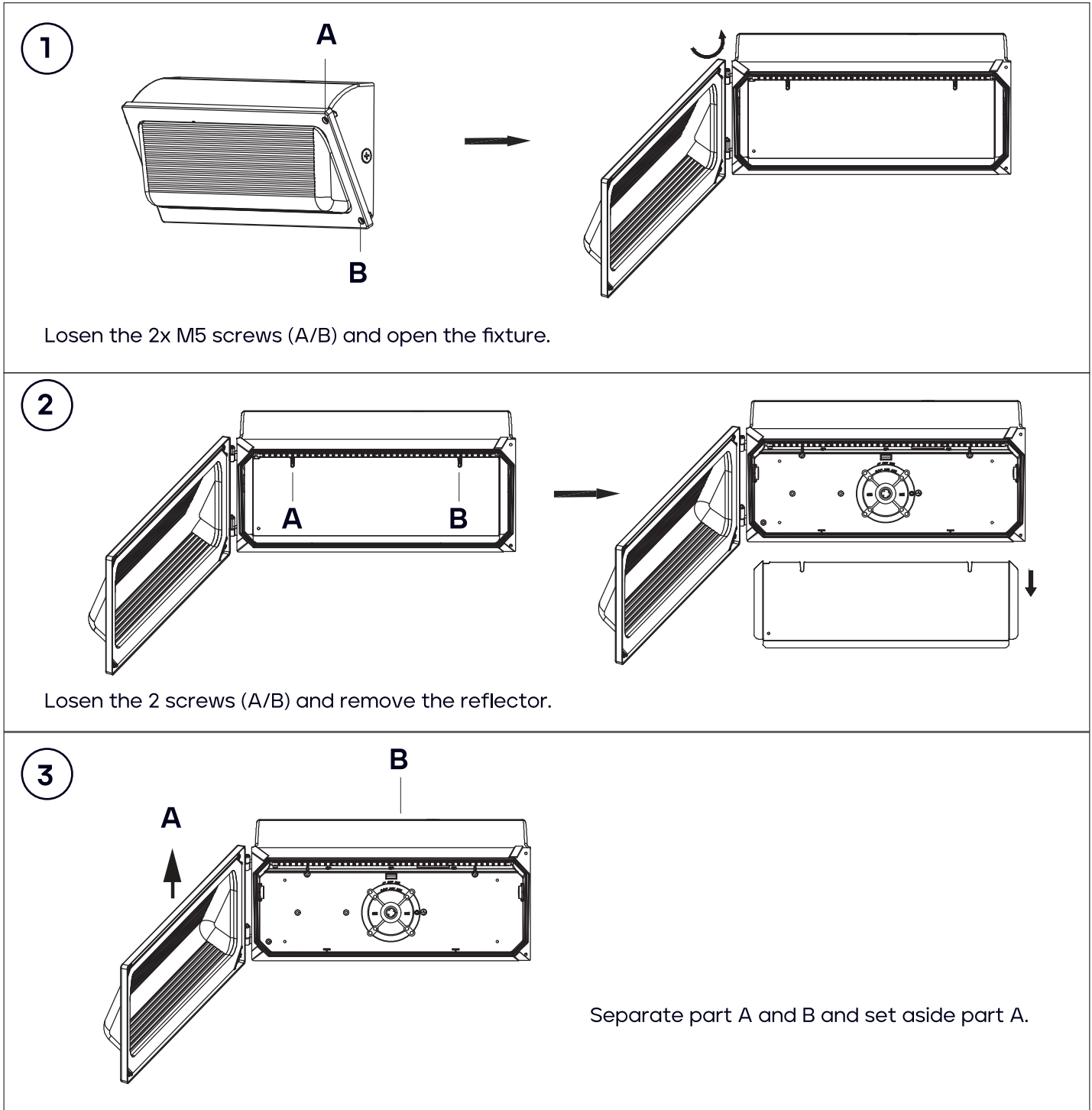


3 CCT & WATTAGE SELECTABLE LED SLIM SEMI CUTOFF WALLPACK CUBE LR40560, LR40570

WARNING: DISCONNECT POWER BEFORE INSTALLATION

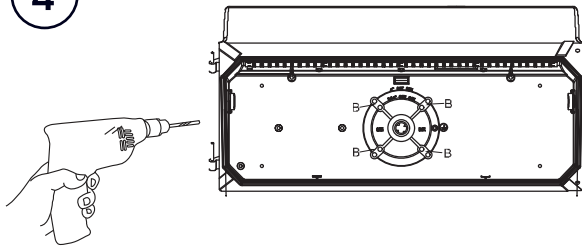


3 CCT & WATTAGE SELECTABLE LED SLIM SEMI CUTOFF WALLPACK CUBE LR40560, LR40570

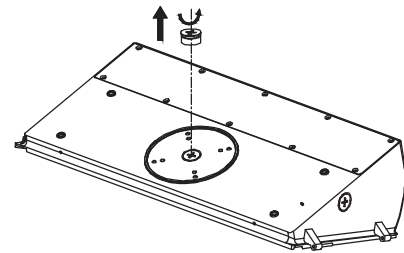
WARNING: DISCONNECT POWER BEFORE INSTALLATION

Unscrew the 1/2 screw if needed.

4

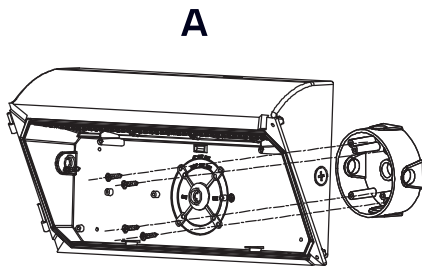


Prepare the back housing for mounting by drilling or knocking out the appropriate hole.



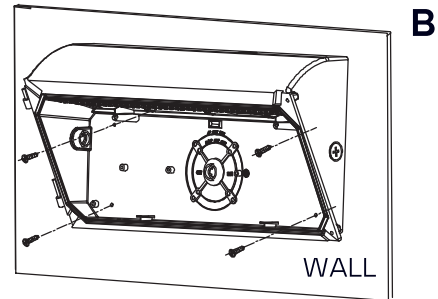
Unscrew the 1/2 screw if needed.

5



Fix the back housing to the junction box and connect wires as per the wiring diagram.

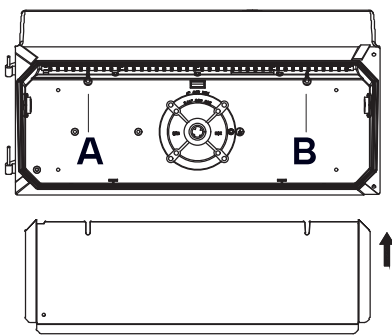
OR



Fix the back housing on the wall and connect wires as per the wiring diagram.

Caulk to mounting surface, at all sides.

6

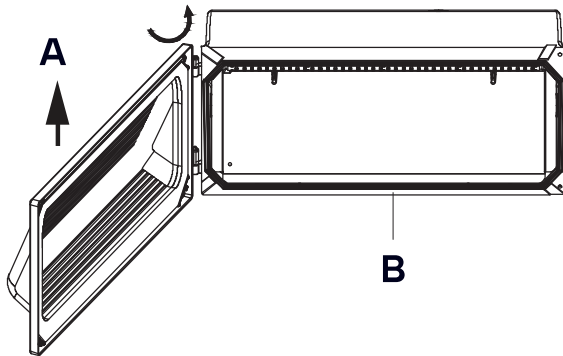


Put back the reflector and tighten the 2 screws (A/B)

3 CCT & WATTAGE SELECTABLE LED SLIM SEMI CUTOFF WALLPACK CUBE LR40560, LR40570

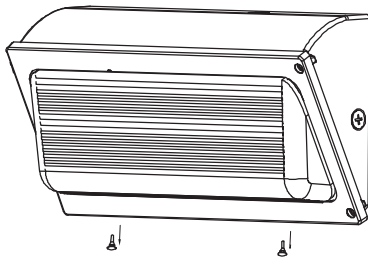
WARNING: DISCONNECT POWER BEFORE INSTALLATION

7



Put part A back onto the hinge of part B.
Check the hinge for secure.

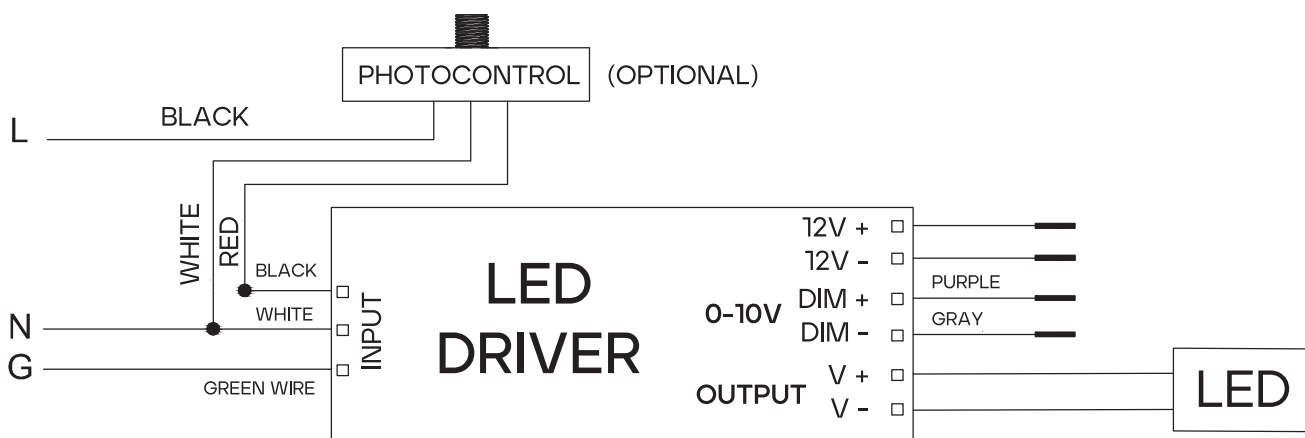
8



Remove the waterproof plugs.

Connect to the main electricity and check if
the unit works properly

Caulk to the side of Front Cover and Housing at all sides. Should not open Front Cover after installation



Please connect black wire from luminaire to black wire (L) of branch; connect white wire from luminaire to white wire (N) of branch; connect green wire from luminaire to green wire (G) of branch.