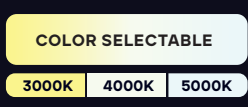


LED OUTDOOR

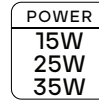
UNIVERSAL FLOOD LIGHT - CCT & WATTAGE SELECTABLE

35W, 60W, 80W, 150W, 300W



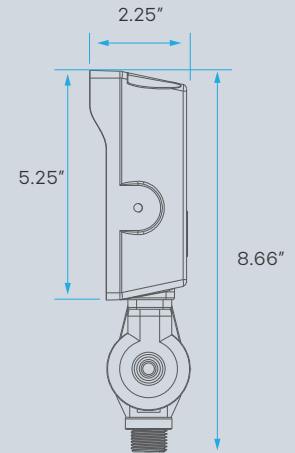
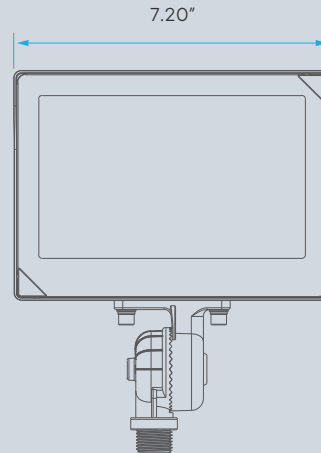
ITEM No.
LR40370

DESCRIPTION
LEDXFL35/3CCT/3WO/UNV/D/PC/KNU/BZ



35W

15W | 25W | 35W



KNUCKLE MOUNT

*INCLUDED

PHOTOMETRIC	COLOR TEMPERATURE	3000K		4000K		5000K		
	INPUT POWER (TOLERANCE: ±10%)	EFFICACY (TOLERANCE: -3%)	LUMEN (TOLERANCE: -10%)	EFFICACY (TOLERANCE: -3%)	LUMEN (TOLERANCE: -10%)	EFFICACY (TOLERANCE: -3%)	LUMEN (TOLERANCE: -10%)	
		35	130	4,550	146	5,110	136	4,760
		25	134	3,350	150	3,750	140	3,500
	15	138	2,070	154	2,310	144	2,160	
	CRI	>80						
	COLOR CONSISTENCY	<7 SDCM						
	BUG	B2-U0-G0						
	DISTRIBUTION PATTERN	CLEAR TEMPERED GLASS						
	BEAM ANGLE (10%) (TOLERANCE: ±15%)	115°						
ELECTRICAL	INPUT VOLTAGE	120-277VAC						
	FREQUENCY	50/60Hz						
	POWER FACTOR (TOLERANCE: -3%)	>0.9						
	THD (TOLERANCE: +5%)	<20%						
	FLICKER PERCENT	<80%						
	DRIVER BRAND	MARCH						
	DRIVER MODEL	HB-FL19F035						
	SURGE PROTECTION	L/N-PE: 2.5kV, L-N: 2.5kV						
	DIMMING	0-10V						
	IP RATING	IP-65						
MATERIALS	CHIP	SMD2835						
	LED QTY	112						
	HOUSING	DIE CAST ALUMINUM						
TEMPERATURE	OPERATING TEMPERATURE	-22°F TO 122°F						
	OPERATING HUMIDITY	20% - 90% RH						

ITEM No.
LR40371

DESCRIPTION
LEDXFL60/3CCT/3WO/UNV/D/PC/KNU/TRN/BZ

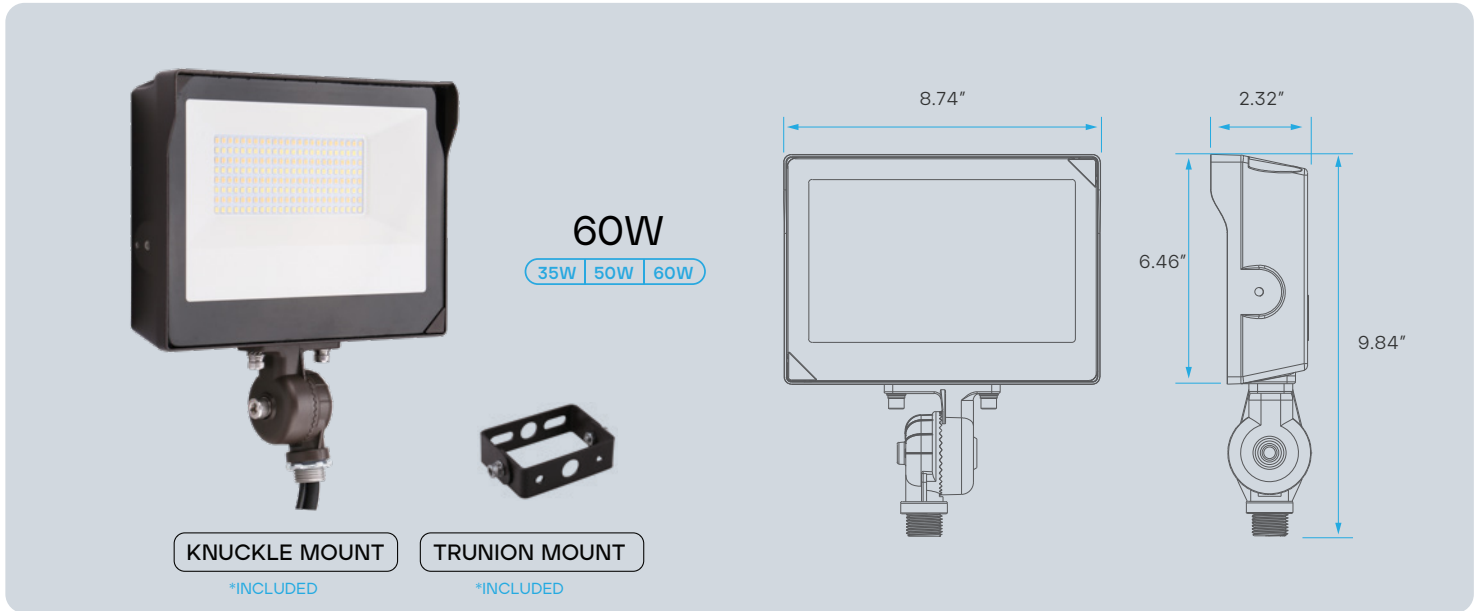
POWER
35W
50W
60W

DC
PHOTOCELL
SENSOR

2.5KV
SURGE
PROTECTOR

UL
CERTIFIED

DLC
LISTED
PREMIUM



	COLOR TEMPERATURE	3000K		4000K		5000K	
	INPUT POWER (TOLERANCE: ±10%)	EFFICACY (TOLERANCE: -3%)	LUMEN (TOLERANCE: -10%)	EFFICACY (TOLERANCE: -3%)	LUMEN (TOLERANCE: -10%)	EFFICACY (TOLERANCE: -3%)	LUMEN (TOLERANCE: -10%)
PHOTOMETRIC	60	130	7,800	146	8,760	138	8,280
	50	134	6,700	150	7,500	142	7,100
	35	138	4,830	154	5,390	146	5,110
	CRI	>80					
	COLOR CONSISTENCY	<7 SDCM					
	BUG	B3-U0-G1					
ELECTRICAL	DISTRIBUTION PATTERN	CLEAR TEMPERED GLASS					
	BEAM ANGLE (10%) (TOLERANCE: ±15%)	115°					
	INPUT VOLTAGE	120-277VAC					
	FREQUENCY	50/60Hz					
	POWER FACTOR (TOLERANCE: -3%)	>0.9					
	THD (TOLERANCE: +5%)	<20%					
	FLICKER PERCENT	<80%					
	DRIVER BRAND	MARCH					
	DRIVER MODEL	HB-FL19F060					
	SURGE PROTECTION	L/N-PE: 2.5kV, L-N: 2.5kV					
MATERIALS	DIMMING	0-10V					
	IP RATING	IP-65					
	CHIP	SMD2835					
TEMPERATURE	LED QTY	192					
	HOUSING	DIE CAST ALUMINUM					
	OPERATING TEMPERATURE	-22°F TO 122°F					
	OPERATING HUMIDITY	20% - 90% RH					

ITEM No.
LR40372

DESCRIPTION
LEDXFL80/3CCT/3WO/UNV/D/PC/KNU/TRN/BZ

POWER
60W
70W
80W

DC
PHOTOCELL
SENSOR

6.0KV
SURGE
PROTECTOR

UL
CERTIFIED

DLC
LISTED
PREMIUM

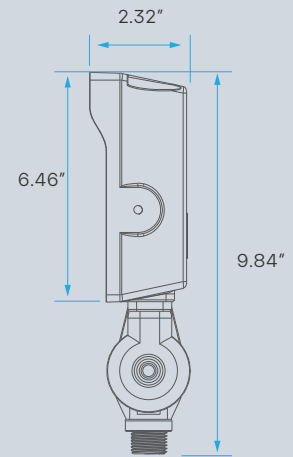
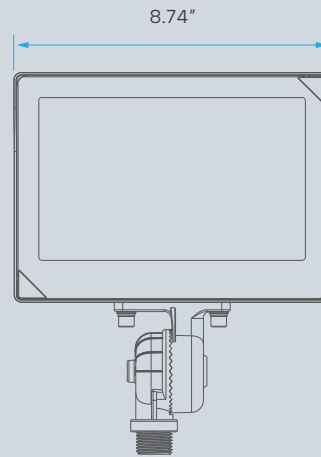


80W
60W | 70W | 80W



KNUCKLE MOUNT
*INCLUDED

TRUNION MOUNT
*INCLUDED



	COLOR TEMPERATURE	3000K		4000K		5000K	
	INPUT POWER (TOLERANCE: ±10%)	EFFICACY (TOLERANCE: -3%)	LUMEN (TOLERANCE: -10%)	EFFICACY (TOLERANCE: -3%)	LUMEN (TOLERANCE: -10%)	EFFICACY (TOLERANCE: -3%)	LUMEN (TOLERANCE: -10%)
PHOTOMETRIC	80	130	10,400	146	11,680	136	10,880
	70	134	9,380	150	10,500	140	9,800
	60	138	8,280	154	9,240	144	8,640
	CRI	>80					
	COLOR CONSISTENCY	<7 SDCM					
ELECTRICAL	BUG	B3-U0-G1					
	DISTRIBUTION PATTERN	CLEAR TEMPERED GLASS					
	BEAM ANGLE (10%) (TOLERANCE: ±15%)	115°					
	INPUT VOLTAGE	120-277VAC					
	FREQUENCY	50/60Hz					
	POWER FACTOR (TOLERANCE: -3%)	>0.9					
	THD (TOLERANCE: +5%)	<20%					
	FLICKER PERCENT	<80%					
	DRIVER BRAND	BECKY					
	DRIVER MODEL	BQE80A-130-PVF-PS					
SURGE PROTECTION	L/N-PE: 6.0kV, L-N: 4.0kV						
DIMMING	0-10V						
IP RATING	IP-65						
MATERIALS	CHIP	SMD2835					
	LED QTY	240					
	HOUSING	DIE CAST ALUMINUM					
TEMPERATURE	OPERATING TEMPERATURE	-22°F TO 122°F					
	OPERATING HUMIDITY	20% - 90% RH					

ITEM No.
LR40375

DESCRIPTION
LEDXFL150/3CCT/3WO/UNV/D/PC/SLF/TRN/BZ

POWER
100W
120W
150W

DC
PHOTOCELL
SENSOR

10KV
SURGE
PROTECTOR

UL
CERTIFIED

DLC
LISTED
PREMIUM



150W
100W | 120W | 150W

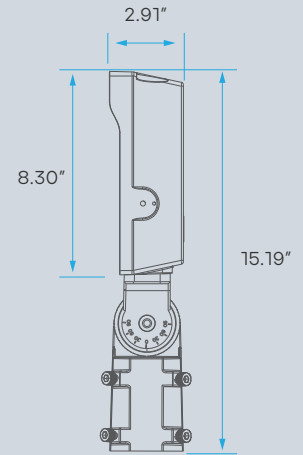
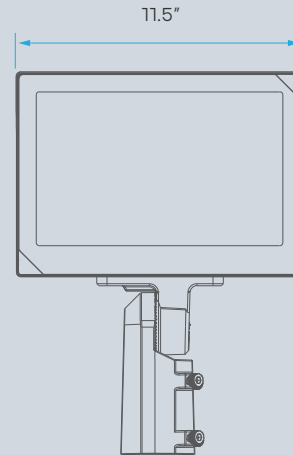


SLIPFITTER MOUNT

*INCLUDED

TRUNION MOUNT

*INCLUDED



	COLOR TEMPERATURE	3000K		4000K		5000K	
	INPUT POWER (TOLERANCE: ±10%)	EFFICACY (TOLERANCE: -3%)	LUMEN (TOLERANCE: -10%)	EFFICACY (TOLERANCE: -3%)	LUMEN (TOLERANCE: -10%)	EFFICACY (TOLERANCE: -3%)	LUMEN (TOLERANCE: -10%)
PHOTOMETRIC	150	130	19,500	146	21,900	138	20,700
	120	134	16,080	150	18,000	142	17,040
	100	138	13,800	154	15,400	146	14,600
	CRI	>80					
	COLOR CONSISTENCY	<7 SDCM					
	BUG	B3-U0-G1					
	DISTRIBUTION PATTERN	CLEAR TEMPERED GLASS					
	BEAM ANGLE (10%) (TOLERANCE: ±15%)	115°					
ELECTRICAL	INPUT VOLTAGE	120-277VAC					
	FREQUENCY	50/60Hz					
	POWER FACTOR (TOLERANCE: -3%)	>0.9					
	THD (TOLERANCE: +5%)	<20%					
	FLICKER PERCENT	<55%					
	DRIVER BRAND	BECKY					
	DRIVER MODEL	BQE155C-130-PVF-PS					
	SURGE PROTECTION	L/N-PE: 10kV, L-N: 10kV					
	DIMMING	0-10V					
	IP RATING	IP-65					
MATERIALS	CHIP	SMD2835					
	LED QTY	480					
	HOUSING	DIE CAST ALUMINUM					
TEMPERATURE	OPERATING TEMPERATURE	-22°F TO 122°F					
	OPERATING HUMIDITY	20% - 90% RH					

ITEM No.
LR40378

DESCRIPTION
LEDXFL300/3CCT/3WO/UNV/D/TLPC/SC/SLF/BZ

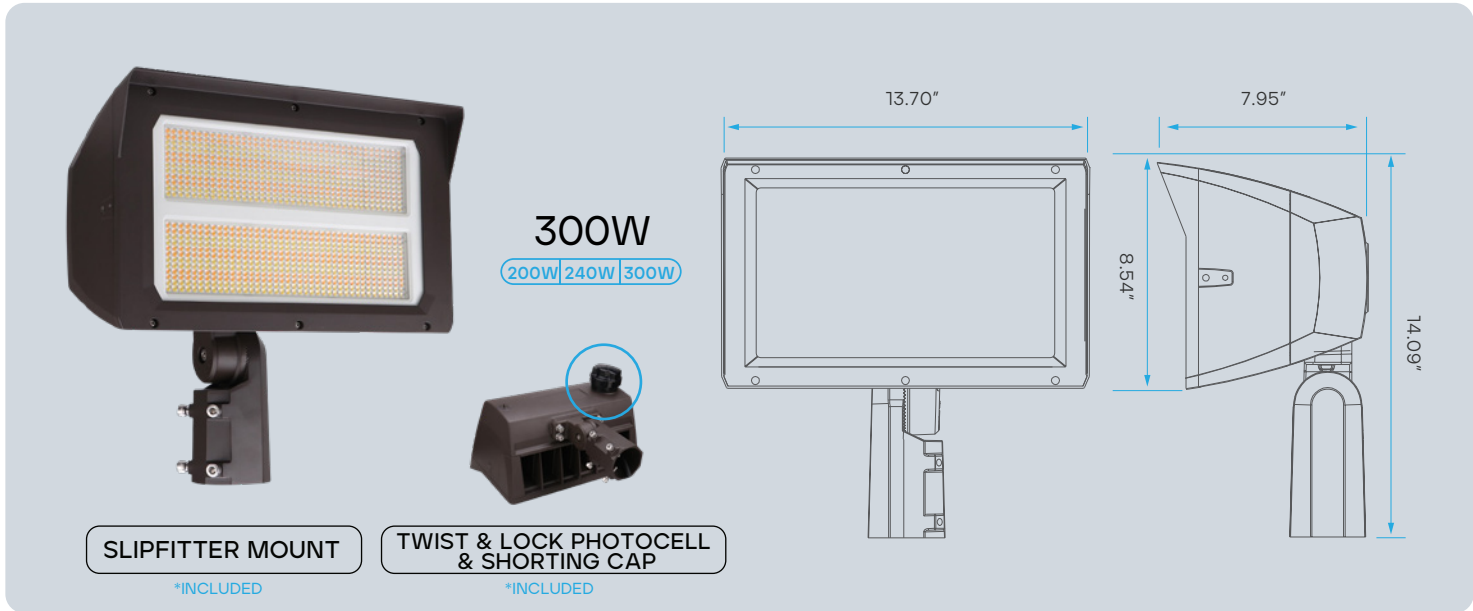
POWER
200W
240W
300W

TL
PHOTOCELL
SENSOR

10KV
SURGE
PROTECTOR

UL
CERTIFIED

DLC
LISTED
PREMIUM

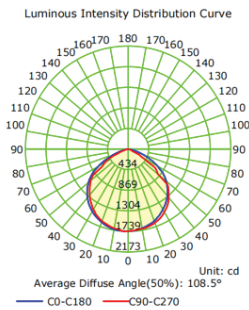


	COLOR TEMPERATURE	3000K		4000K		5000K	
	INPUT POWER (TOLERANCE: ±10%)	EFFICACY (TOLERANCE: -3%)	LUMEN (TOLERANCE: -10%)	EFFICACY (TOLERANCE: -3%)	LUMEN (TOLERANCE: -10%)	EFFICACY (TOLERANCE: -3%)	LUMEN (TOLERANCE: -10%)
PHOTOMETRIC	300	130	39,000	148	44,400	140	42,000
	240	134	32,160	152	36,480	144	34,560
	200	138	27,600	156	31,200	148	29,600
	CRI	>80					
	COLOR CONSISTENCY	<7 SDCM					
	BUG	B2-U0-G0					
ELECTRICAL	DISTRIBUTION PATTERN	CLEAR TEMPERED GLASS					
	BEAM ANGLE (10%) (TOLERANCE: ±15%)	115°					
	INPUT VOLTAGE	120-277VAC					
	FREQUENCY	50/60Hz					
	POWER FACTOR (TOLERANCE: -3%)	>0.9					
	THD (TOLERANCE: +5%)	<20%					
	FLICKER PERCENT	<5%					
	DRIVER BRAND	LIFUD					
	DRIVER MODEL	LF-FAC320					
	SURGE PROTECTION	L/N-PE: 10kV, L-N: 10kV					
MATERIALS	DIMMING	0-10V					
	IP RATING	IP-65					
	CHIP	SMD2835					
TEMPERATURE	LED QTY	960					
	HOUSING	DIE CAST ALUMINUM					
TEMPERATURE	OPERATING TEMPERATURE	-22°F TO 122°F					
	OPERATING HUMIDITY	20% - 90% RH					

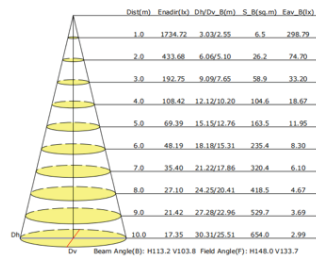
LED OUTDOOR UNIVERSAL FLOOD LIGHT - CCT & WATTAGE SELECTABLE 35W, 60W, 80W, 150W, 300W

PHOTOMETRICS

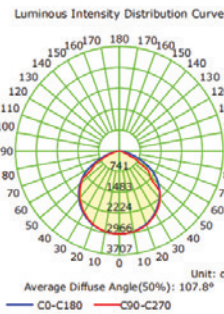
LR40370



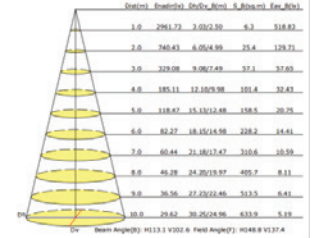
Illuminance at a Distance



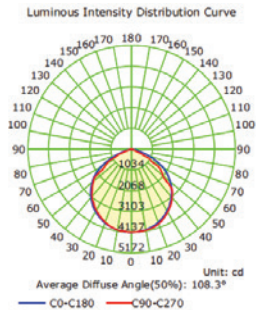
LR40371



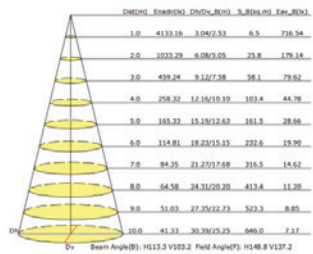
Illuminance at a Distance



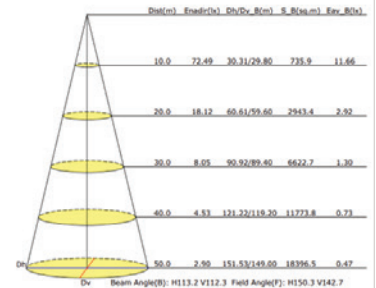
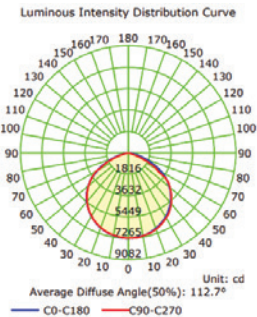
LR40372



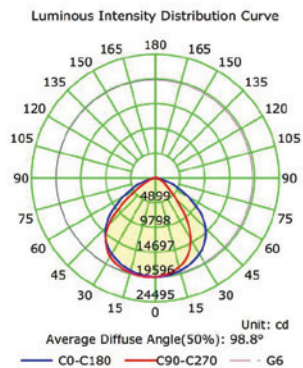
Illuminance at a Distance



LR40375



LR40378



Illuminance at a Distance(Beam Angle)

