

## UP-DOWN OUTDOOR CYLINDER LR40335

PLEASE READ CAREFULLY AND SAVE THESE INSTRUCTIONS, AS YOU MAY NEED THEM AT A LATER DATE.

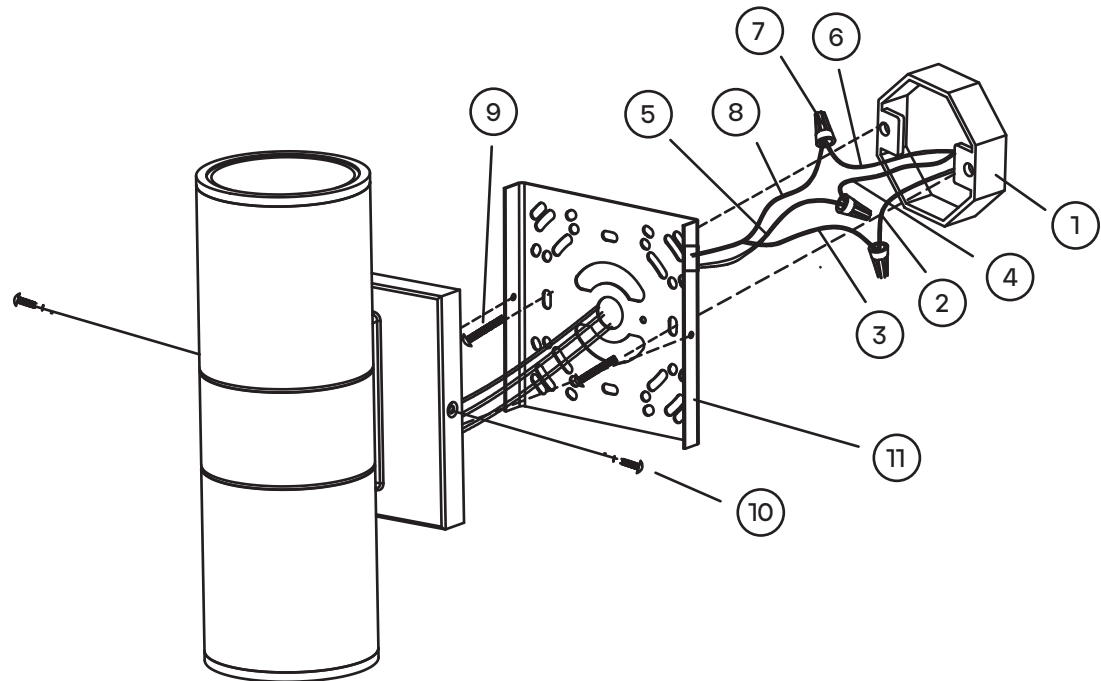
### CAUTION

IN ORDER TO PREVENT POSSIBLE SHOCK, TURN OFF THE MAIN POWER AT THE CIRCUIT BREAKER BEFORE INSTALLING THE LIGHT FIXTURE.

### GENERAL

ALL ELECTRICAL CONNECTIONS MUST BE IN ACCORDANCE WITH LOCAL AND NATIONAL ELECTRICAL CODE (N.E.C.) STANDARDS. IF YOU ARE UNFAMILIAR WITH PROPER ELECTRICAL WIRING CONNECTIONS HIRE A QUALIFIED ELECTRICIAN. REMOVE THE FIXTURE AND THE MOUNTING PACKAGE FROM THE BOX AND MAKE SURE THAT NO PARTS ARE MISSING BY REFERENCING THE ILLUSTRATIONS ON THE INSTALLATION INSTRUCTIONS.

### ASSEMBLY AND INSTALLATION



1. Outlet box
2. House Ground Wire
3. Fixture Ground Wire
4. Supply Wire
5. Fixture wire
6. Supply Wire
7. Wire Connector
8. Black Fixture Wire
9. Mounting Screw I
10. Mounting Screw II
11. Mounting Plate

### INSTALLATION INSTRUCTIONS

1. LOOSEN THE TWO MOUNTING SCREWS I (9) AND TAKE THE MOUNTING PLATE.
2. SECURE THE MOUNTING PLATE (11) TO THE OUTLET BOX (1) WITH TWO MOUNTING SCREWS I (11)
3. PULL THE SUPPLY WIRES (2 & 6) AND THE HOUSE GROUND WIRE (4) OUT FROM THE OUTLET BOX.
4. MAKE THE WIRING CONNECTIONS (7):
  - CONNECT THE WHITE SUPPLY WIRE (4), TO THE WHITE FIXTURE WIRE (5);
  - CONNECT THE BLACK SUPPLY WIRE (6), TO THE BLACK FIXTURE WIRE (8);
  - CONNECT THE HOUSE GROUND WIRE (2), TO THE FIXTURE GROUND WIRE (3).
5. CAREFULLY TUCK ALL WIRES BACK INTO THE OUTLET BOX (1)
6. FIX THE MOUNTING SCREW II (10) AND LAMPS TO THE MOUNTING PLATE (11).