

LED UP/DOWN DESIGNER WALL FIXTURE - 3CCT & WATTAGE SELECTABLE LR40326

PLEASE READ THESE INSTRUCTIONS CAREFULLY AND SAVE THEM, AS YOU MAY NEED THEM AT A LATER DATE.

- RISK OF ELECTRICAL SHOCK: TURN MAIN SWITCH AND CIRCUIT BREAKER TO "OFF" POSITION BEFORE SERVICING OR RELAMPING.
- ALL ELECTRICAL CONNECTIONS MUST BE IN ACCORDANCE WITH LOCAL CODES, ORDINANCES AND NATIONAL ELECTRICAL CODE. IF YOU ARE UNFAMILIAR WITH PROPER ELECTRICAL WIRING OR CONNECTIONS, SECURE THE SERVICES OF A QUALIFIED LICENSED ELECTRICIAN.
- PROPER GROUNDING OF THE FIXTURE IS ESSENTIAL FOR PROTECTION FROM SHOCK. CORRECT OPERATION OF THE ELECTRONIC DRIVER AND THE ELIMINATION OF THE ELECTRICAL INTERFERENCE.

PREPARATION:

1. Tools and materials needed: screw driver, pliers, wire nuts, electrical tape.
2. To help prevent the possibility of electrical shock, the use of rubber sole shoes is recommended.
3. Exercise care when handling the fixture to avoid cuts or abrasions.
4. If a ladder is needed, use sturdy ones and set them on flat level surface.

INSTALLATION FOR FLUSH MOUNT (PLEASE REFER TO FIG. 1)

TURN OFF POWER FROM THE MAIN CIRCUIT BEFORE INSTALLING FIXTURE.

INSTRUCTIONS

STEP 1 - PREPARING FOR INSTALLATION.

- A. Disconnect electrical power at fuse or circuit breaker box before installing or servicing any part of this fixture.
- B. Carefully remove the fixture from the carton.
- C. Remove fixture housing (3) from the fixture (2) by removing two screws (4).
- D. Remove mounting bracket (1) from the fixture (2) by removing two screws (5).
- E. Install mounting bracket (1) to the junction box (not included) using two screws (5) to secure it.

STEP 2 - WIRING FIXTURE

- A. Make all wire connections to appropriate wire. Secure with wire nuts (provided).
- B. Connect the green wire from the fixture to the ground wire. Connect the black wire from the fixture to the black (L) wire from supply power source. Connect the white wire from the fixture to the white (N) wire from supply power source.
- C. DO NOT MIX WIRES. Pull on each wire lead to make sure connections are secure. Make sure no bare wires are exposed outside of wire connectors. Tuck all connections neatly into junction box.

STEP 3 - CCT & WATTAGE ADJUSTMENT (IF DESIRED)

- A. Adjust color temperature switch on back of fixture to the desired color temperature as seen in Figure 1.
- B. Adjust power switch on back of fixture according to the desired power as seen in figure 1.

STEP 4 - MOUNTING

- A. Install fixture (2) by aligning both side holes over the mounting bracket (1) then using two screws (5) to secure it.
- B. Install fixture housing (3) by aligning both side holes over the fixture (2) then using two screws (4) to secure it.

STEP 5 - FOR WET LOCATION USE

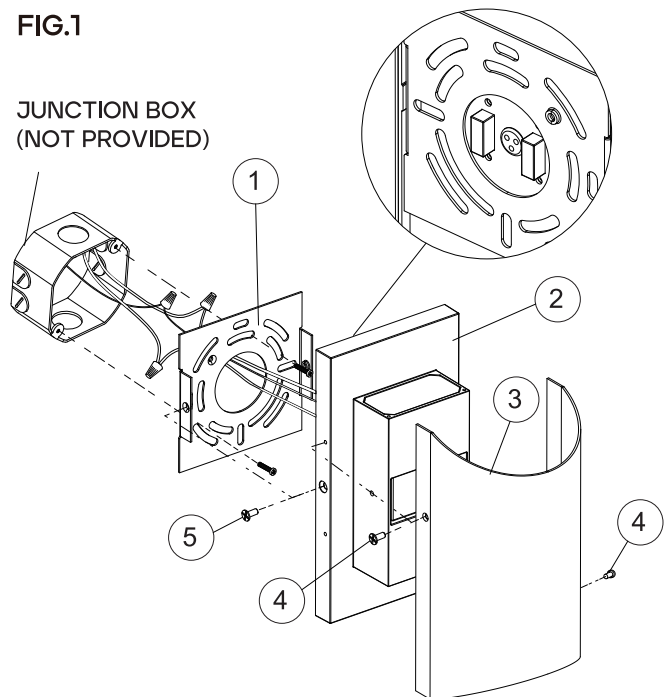
- A. Apply a small amount of silicone (not included) per manufacturer's instruction around the perimeter of fixture housing (3) where it contacts with the surface of the wall but not the button.

STEP 6 - TURN POWER ON

NOTE: IF LUMINAIRE IS ALTERED IN ANY WAY DURING INSTALLATION OR PHYSICAL DAMAGE OCCURS, WARRANTY WILL VOID.

FIG.1

JUNCTION BOX
(NOT PROVIDED)



NOTE: All statements, technical information, and recommendations contained herein are based on information the company believes to be reliable. The accuracy or completeness thereof is not guaranteed. In accordance with All Star Lighting's "Terms and conditions", and since conditions of use are outside of the company's control, the purchaser should determine the suitability of the product for its intended use and assumes all risk and liability whatsoever in connection herewith. These instructions do not claim to cover all details or variations in the equipment, procedure, or process described, nor to provide directions for meeting every possible contingency during installation, operation or maintenance. When additional information is desired to satisfy a problem not covered sufficiently for user's purpose, please contact your nearest representative.